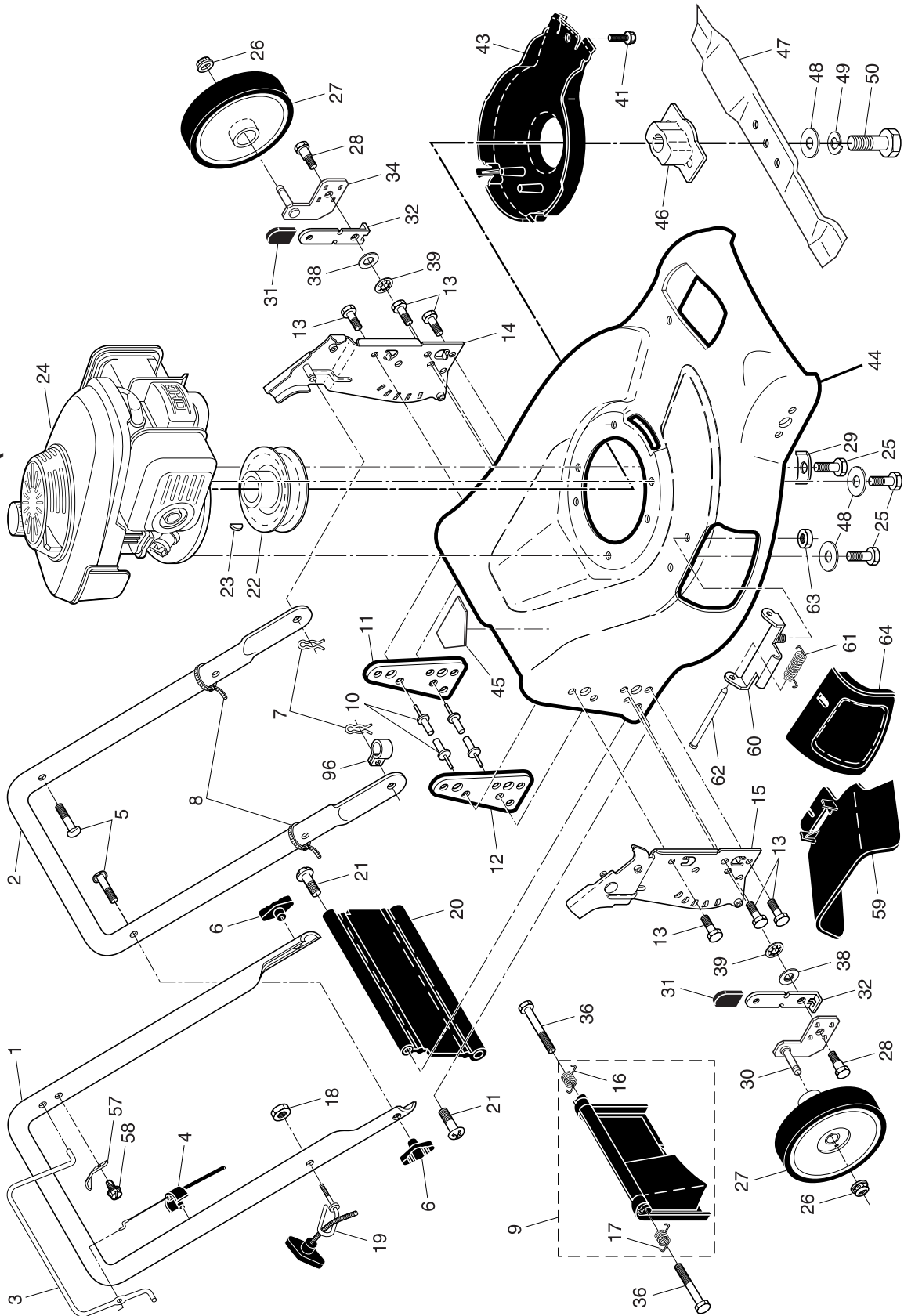


ROTARY LAWN MOWER -- MODEL NUMBER PR65Y21C (MFG. ID. NUMBER 96142000301)



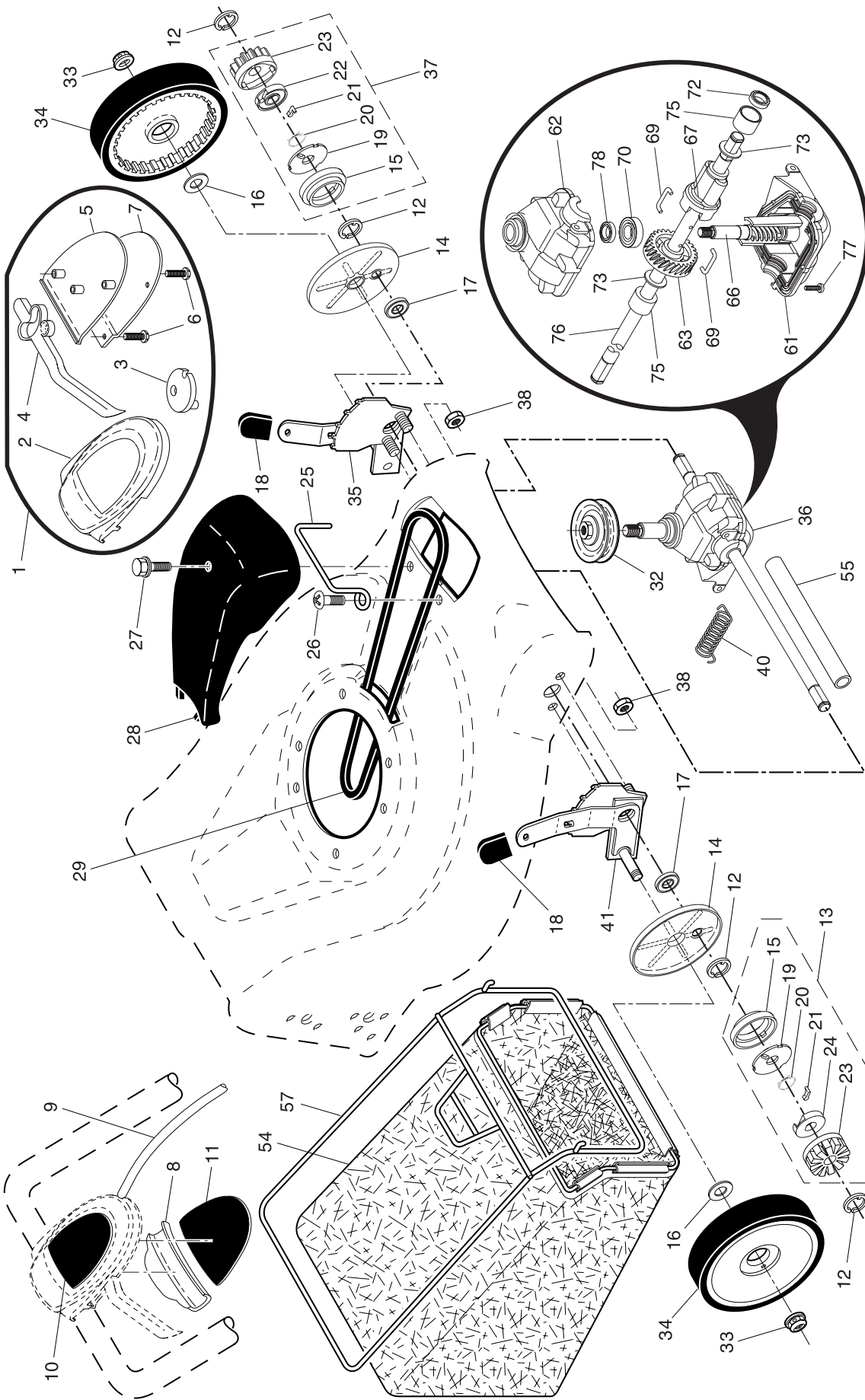
ROTARY LAWN MOWER - - MODEL NUMBER PR65Y21C (MFG. ID. NUMBER 96142000301)

KEY NO.	PART NO.	DESCRIPTION	KEY NO.	PART NO.	DESCRIPTION
1	194579X479	Upper Handle	29	851201X004	Washer, Engine, Zinc Plated
2	151721X479	Lower Handle	30	189596X004	Axle Arm Assembly, Rear, RH
3	194580X428	Control Bar	31	170143	Selector Knob
4	183567	Engine Zone Control Cable	32	175060X004	Selector Spring
5	191574	Handle Bolt	34	189597X004	Axle Arm Assembly, Rear, LH
6	189713X428	Handle Knob	36	184193	Bolt, Rear Door
7	51793	Hairpin Cotter	38	176185	Washer, Flat .34 x 1.38
8	66426	Wire Tie	39	176235	Push Nut
9	180479	Kit, Rear Door (Includes Key Numbers 16 and 17)	41	192325	Screw, Debris Shield
10	128415	Pop Rivet	43	187038	Debris Shield
11	175069X479	Support Bracket, LH	44	176710	Kit, Housing (Includes Key Numbers 10, 11, 12 and 45)
12	175070X479	Support Bracket, RH	45	107339X	Danger Decal
13	17060410	Screw 1/4-20 x 5/8	46	193707	Blade Adapter
14	181019X479	Handle Bracket Assembly, LH	47	189028	Blade, 21"
15	181018X479	Handle Bracket Assembly, RH	48	851074	Hardened Washer
16	180071	Spring, Rear Door, LH	49	850263	Helical Washer 3/8
17	180072	Spring, Rear Door, RH	50	851084	Blade Bolt, Hex Head, Grade 8
18	132004	Keys Locknut 1/4-20	57	850733X004	Bracket, Upstop
19	179585	Rope Guide	58	750634	Screw
20	189005	Rear Skirt	59	175071	Discharge Deflector
21	88652	Hinge Screw 1/4-20 x 1-1/4	60	175735	Hinge Bracket
22	185005	Pulley, Engine	61	175285	Spring
23	187723	Key, Hi-Pro	62	175650	Rod, Hinge
24	- - -	Engine, Honda, Model Number GCV190 (For engine service and replacement parts, call Honda Engines at 1-800-426-7701)	63	73800400	Nut, Hex
25	150406	Screw, Hex Head, Threaded, Rolled 3/8-16 x 2	64	175066	Mulcher Door
26	83923	Nut, Hex, Flangelock 3/8-16	96	192770	Clip, Cable
27	193909X421	Wheel & Tire Assembly, Rear, 8"	- -	162300	Warning Decal (not shown)
28	189312	Bolt, Shoulder 5/16-18	- -	193733	Operator's Manual, English
			- -	193736	Operator's Manual, French
			- -	197966	Repair Parts Manual, English / French

NOTE: All component dimensions given in U.S. inches. 1 inch = 25.4 mm.

IMPORTANT: Use only Original Equipment Manufacturer (O.E.M.) replacement parts. Failure to do so could be hazardous, damage your lawn mower and void your warranty.

ROTARY LAWN MOWER -- MODEL NUMBER PR65Y21C (MFG. ID. NUMBER 96142000301)



ROTARY LAWN MOWER - - MODEL NUMBER PR65Y21C (MFG. ID. NUMBER 96142000301)

KEY NO.	PART NO.	DESCRIPTION	KEY NO.	PART NO.	DESCRIPTION
1	195091	Drive Control Assembly, Complete	32	194018	Drive Pulley
2	188277	Cover, Top	33	83923	Locknut
3	187353	Pulley	34	193912X421	Wheel & Tire Assembly, Front
4	195585	Lever, Drive Control	35	180915	Kit, Wheel Adjuster, LH (Includes Knob and Bearing)
5	188276	Cover, Bottom	36	187212	Gear Case Assembly, Complete
6	181698	Screw #8 x .62	37	188331	Pinion Assembly, LH
7	184212X479	Mounting Bracket	38	73800400	Locknut 1/4-20
8	184987	Cap, Bottom	40	182226	Spring
9	195412	Cable, Drive	41	180914	Kit, Wheel Adjuster, RH (Includes Knob and Bearing)
10	195175	Decal, Drive Control Operation	54	194697	Grassbag Assembly
11	185913	Decal, Drive Control Adjustment (back)	55	175739	Driveshaft Cover
12	12000058	E-Ring	57	188815	Frame, Grassbag
13	188330	Pinion Assembly, RH	61	187525	* Case, Lower
14	189403	Dust Cover	62	187526	* Case, Upper
15	184172	Seal, Friction	63	183499	Gear, 27 Teeth
16	67725	Washer 1/2 x 1-1/2 x .134	66	187527	Shaft, Input
17	169911	Bearing, Wheel Adjuster	67	187528	Spacer
18	170143	Selector Knob	69	183505	Wire, Formed
19	175104	Disc, Drive	70	183506	Bearing, Ball
20	188291	Spring, Torsion	72	183508	Seal, Output Shaft
21	175098	Pawl	73	183509	Washer
22	175105	Retainer, Drive, LH	75	183511	Bushing
23	175103	Pinion, Gear	76	187529	Shaft, Output
24	175102	Retainer, Drive, RH	77	183513	Screw
25	188102	Keeper, Belt	78	183514	Seal, Input Shaft
26	173715	Screw			
27	175262	Pan Head Tapping Screw #10-24 x 2-3/4			
28	180329	Drive Cover			
29	169778	V-Belt			

* Use Dow Corning #709 to reseal Gear Case Halves.

NOTE: All component dimensions given in U.S. inches. 1 inch = 25.4 mm.

IMPORTANT: Use only Original Equipment Manufacturer (O.E.M.) replacement parts. Failure to do so could be hazardous, damage your lawn mower and void your warranty.