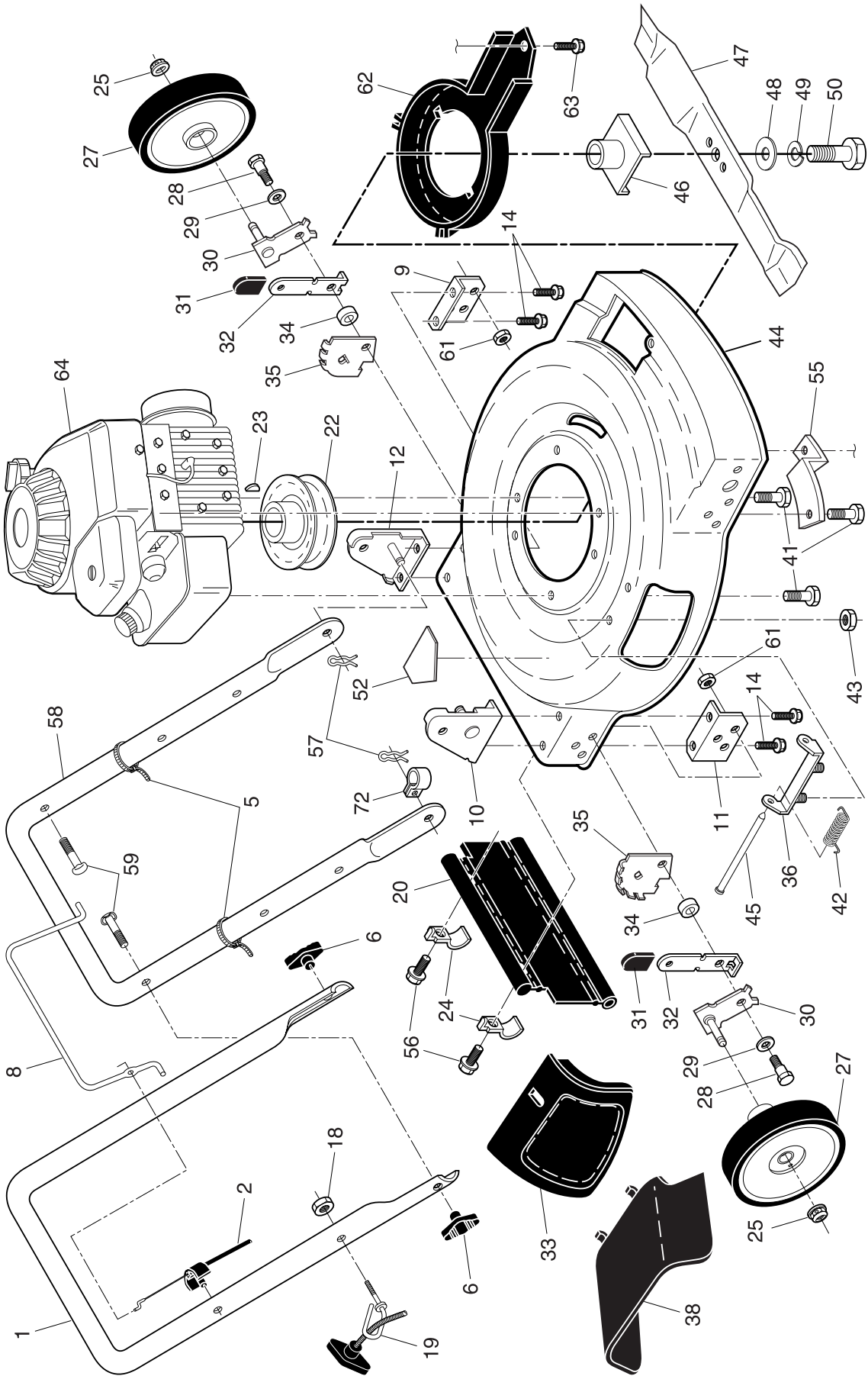


ROTARY LAWN MOWER -- MODEL NUMBER PR45Y22SP (MFG. ID. NUMBER 96122000301)



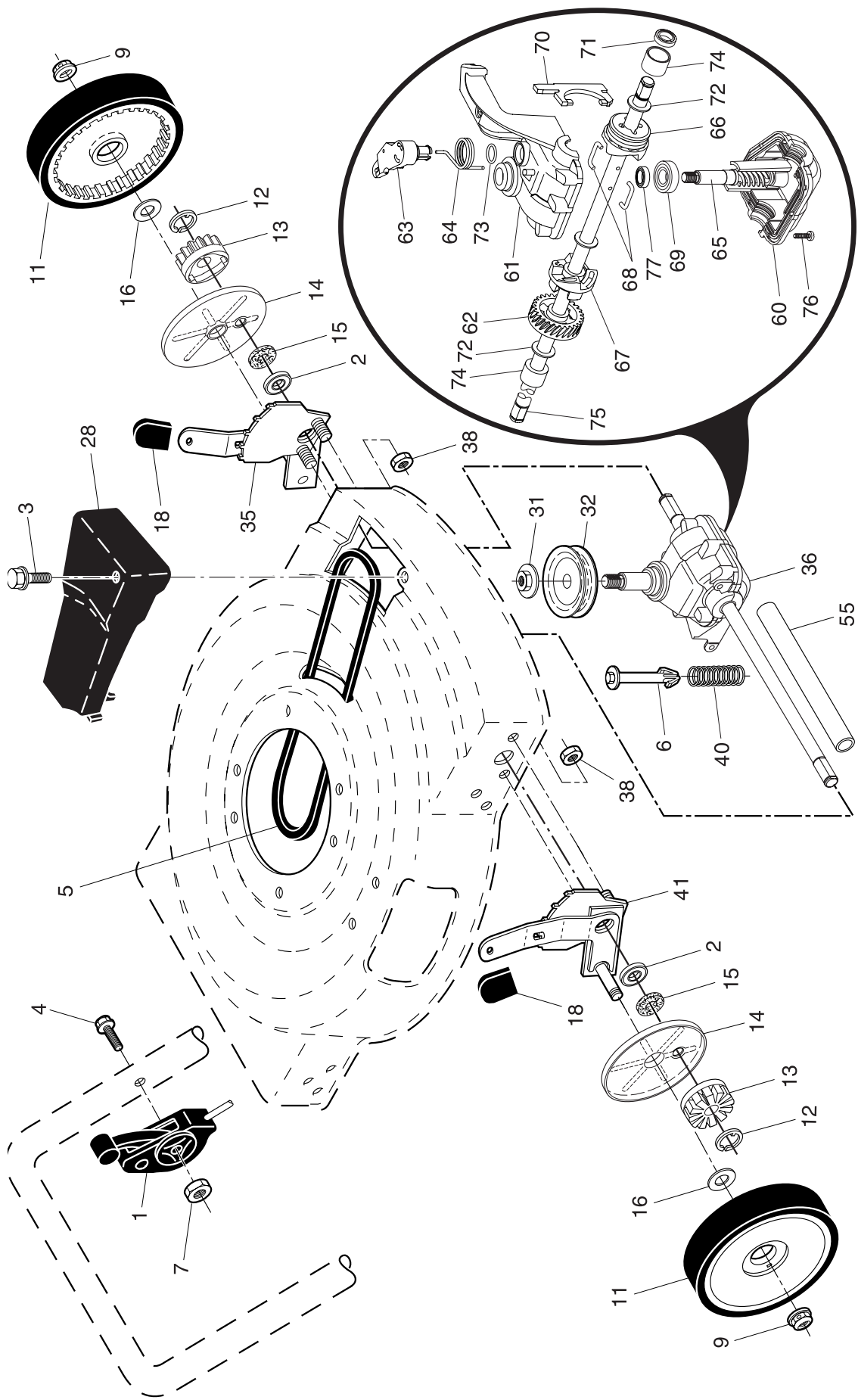
ROTARY LAWN MOWER - - MODEL NUMBER PR45Y22SP (MFG. ID. NUMBER 96122000301)

KEY NO.	PART NO.	DESCRIPTION	KEY NO.	PART NO.	DESCRIPTION
1	166860X479	Upper Handle	42	152124	Spring, Torsion
2	156581	Engine Zone Control Cable	43	73800400	Locknut, Hex
5	66426	Wire Tie	44	194628	Kit, Lawn Mower Housing (Includes Key Number 46)
6	189713X428	Handle Knob	45	147286	Rod, Hinge
8	146771	Control Bar	46	851514	Adapter, Blade
9	153282X479	Support Bracket, Handle, LH	47	192682	Blade, 22"
10	170345X479	Handle Bracket Assembly, RH	48	851074	Washer, Hardened
11	153350X479	Support Bracket, Handle, RH	49	850263	Washer, Lock, Helical
12	170346X479	Handle Bracket Assembly, LH	50	851084	Screw, Hex Head 3/8-24 x 1-3/8 Grade 8
14	149741	Screw, Thread Cutting 5/16-18 x 3/4	52	107339X	Decal, Danger
18	132004	Locknut, Keps	55	188839X004	Mounting Bracket, Debris Shield
19	179585	Rope Guide	56	750097	Screw, Hex Washer Head #10-24 x 1/2
20	189008	Rear Deflector	57	51793	Hairpin Cotter
22	85496	Pulley, Engine	58	151590X479	Lower Handle
23	87677	Hi-Pro Key	59	191574	Handle Bolt
24	87584X004	Clamp, Rear Deflector	61	751592	Locknut, Hex
25	83923	Locknut, Hex 3/18-16	62	188784	Debris Shield
27	194855	Wheel & Tire Assembly	63	192325	Screw
28	142748	Shoulder Bolt	64	---	Engine, Briggs & Stratton, Model Number 10H902 (for engine service and replacement parts, call Briggs & Stratton at 1-800-233-3723)
29	62335	Belleville Washer	72	192770	Clip, Cable
30	145935X004	Axle Arm Assembly	--	162300	Warning Decal (not shown)
31	170143	Knob, Selector	--	193733	Operator's Manual, English
32	700331X004	Spring, Selector	--	193736	Operator's Manual, French
33	151889	Discharge Guard	--	195333	Repair Parts Manual, English / French
34	146630	Spacer			
35	750085X007	Bracket, Wheel Adjuster			
36	154132	Bracket, Housing			
38	176509	Deflector, Discharge			
41	150406	Screw, Hex Head, Threaded, Rolled 3/8-16 x 1-1/8			

NOTE: All component dimensions given in U.S. inches.
1 inch = 25.4 mm

IMPORTANT: Use only Original Equipment Manufacturer (O.E.M.) replacement parts. Failure to do so could be hazardous, damage your lawn mower and void your warranty.

ROTARY LAWN MOWER -- MODEL NUMBER PR45Y22SP (MFG. ID. NUMBER 96122000301)



ROTARY LAWN MOWER - - MODEL NUMBER PR45Y22SP (MFG. ID. NUMBER 96122000301)

KEY NO.	PART NO.	DESCRIPTION	KEY NO.	PART NO.	DESCRIPTION
1	184587	Drive Control Assembly	55	86012	Drive Shaft Cover
2	88058	Bearing, Wheel Adjuster	60	183497	* Case, Lower
3	143603	Screw, Tapping, Pan Head #10-24 x 2-3/4	61	183498	* Case, Upper
4	158755	Screw, Machine, Pan Head 1/4-20 x 2-3/16	62	183499	Gear, 27 Teeth
5	146527	V-Belt	63	183500	Lever, Clutch
6	150495	Bolt, Hex Head 1/4-20 x 2	64	183501	Spring, Return
7	191730	Nut, Hex, Flanged 1/4-20	65	183502	Shaft, Input
9	145212	Locknut, Hex	66	183503	Dog, Movable
11	194854	Wheel & Tire Assembly	67	183504	Dog, Fixed
12	12000058	E-Ring	68	183505	Wire, Formed
13	137054	Pinion	69	183506	Bearing, Ball
14	189403	Dust Cover	70	183507	Fork, Shift
16	67725	Washer	71	183508	Seal, Output Shaft
18	170143	Knob, Selector	72	183509	Washer
28	194398X421	Drive Cover	73	183510	Seal, Case
31	132010	Locknut, Hex	74	183511	Bushing
32	189407	Pulley, Drive	75	187521	Shaft, Output
35	152018	Kit, Wheel Adjuster, RH (Includes Knob and Bearing)	76	183513	Screw
36	187211	Gear Case Assembly, Complete	77	183514	Seal, Input Shaft
38	73800400	Locknut			
40	137090	Spring			
41	152019	Kit, Wheel Adjuster, LH (Includes Knob and Bearing)			

* Use Dow Corning #709 to reseal Gear Case Halves.

NOTE: All component dimensions given in U.S. inches.
1 inch = 25.4 mm

IMPORTANT: Use only Original Equipment Manufacturer (O.E.M.) replacement parts. Failure to do so could be hazardous, damage your lawn mower and void your warranty.