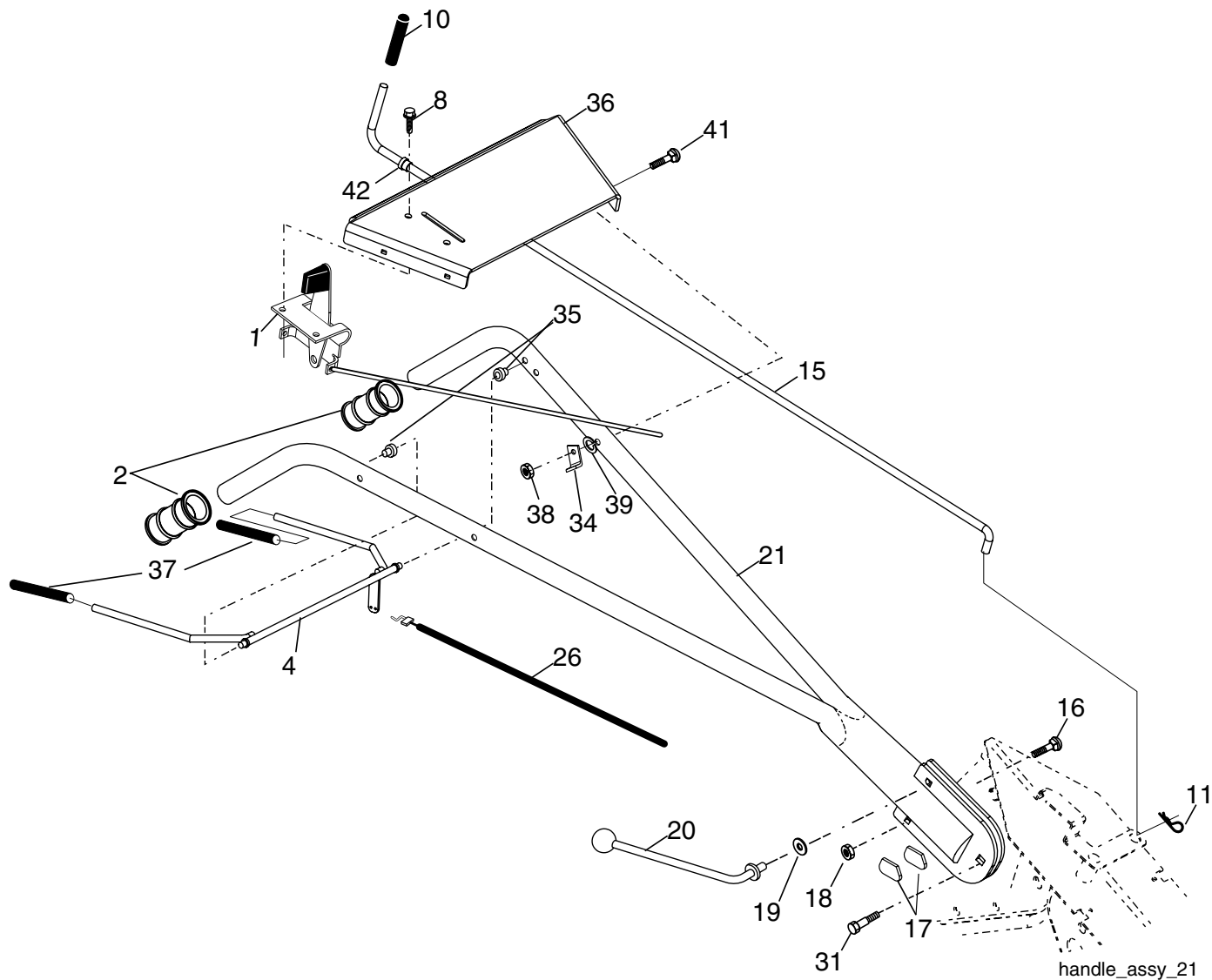


REPAIR PARTS

TILLER - - MODEL NUMBER MXR500 (96092000200), PRODUCT NO. 960 92 00-02
HANDLE ASSEMBLY



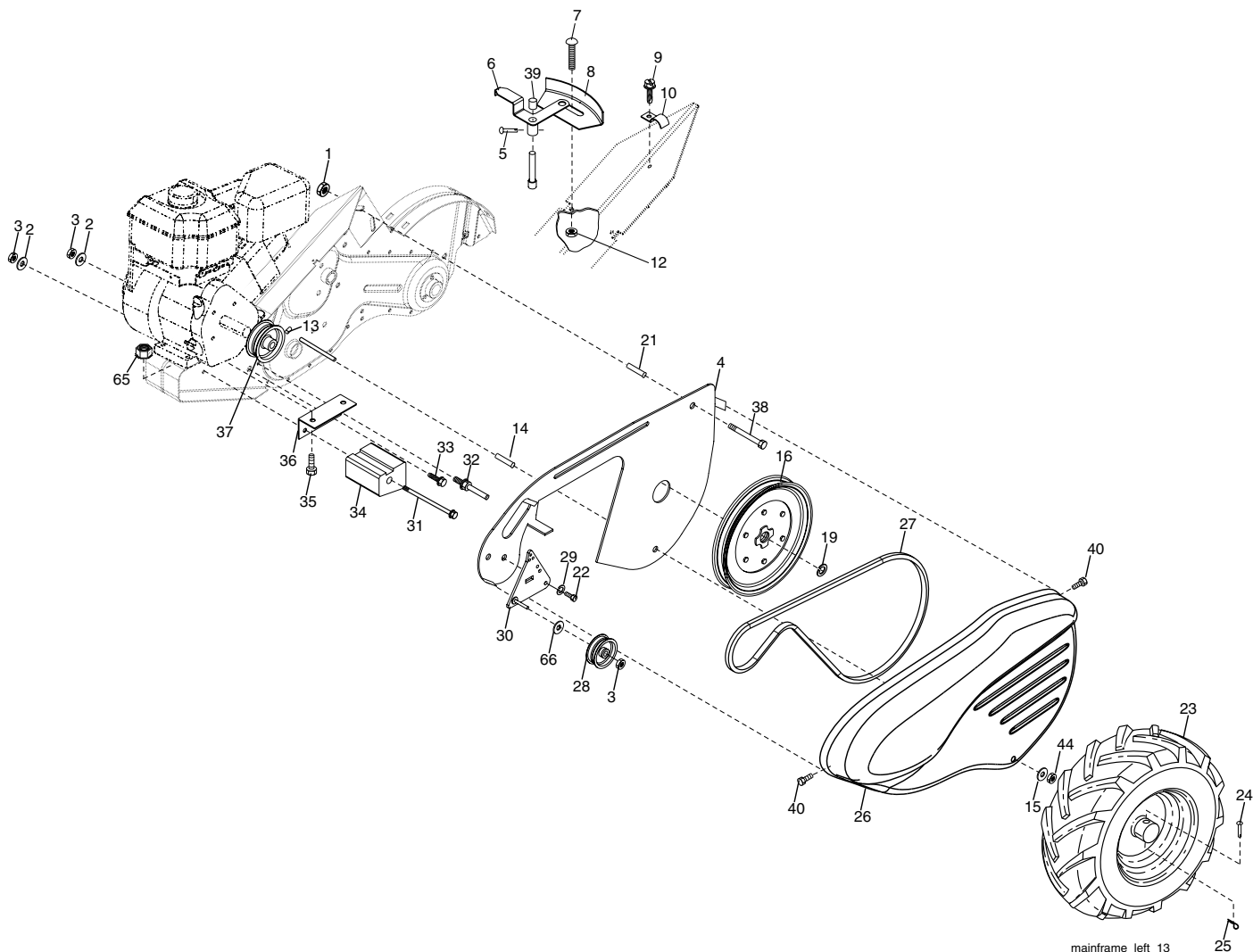
KEY NO.	PART NO.	DESCRIPTION
1	180634	Control, Throttle
2	150744	Grip, Handle
4	159227	Bar, Control
8	17720408	Screw, Thd Cut 1/4-20 x 1/2
10	8389J	Grip, Handle
11	4497H	Clip, Hairpin
15	108281X	Rod, Shift
16	72110608	Bolt, Carriage 3/8-16 x 1 Gr. 5
17	109229X	Lock, Handle
18	73680600	Nut Crownlock 3/8-16 Unc
19	19131611	Washer 13/32 x 1 x 11 Ga.
20	109228X	Lever, Lock, Handle
21	150217	Handle
26	159232	Cable, Clutch

KEY NO.	PART NO.	DESCRIPTION
31	150696	Bolt, Pivot
34	145821	Bracket, Clutch Cable
35	146480	Grommet, Handle
36	188413X012	Bracket, Handle
37	102604X	Grip, Bar Control
38	73800500	Locknut 5/16-18
39	10040500	Washer, Lock 5/16
41	72110514	Bolt, Carriage 5/16-18 x 1-3/4
42	121248X	Bushing, Snap

NOTE: All component dimensions given in U.S. inches.
1 inch = 25.4 mm

REPAIR PARTS

TILLER - - MODEL NUMBER MXR500 (96092000200), PRODUCT NO. 960 92 00-02 MAINFRAME, LEFT SIDE



KEY NO.	PART NO.	DESCRIPTION
1	73510500	Nut, Keps 5/16-18
2	10040600	Washer, Lock 3/8
3	73220600	Nut, Hex 3/8-16
4	170127	Shield, Inner Belt Guard
5	164329	Pin Spirol Flared
6	110111X	Lever, Shift
7	72110404	Bolt, Carriage 1/4-20 x 1/2 Gr. 5
8	8700J	Plate, Shift Indicator
9	86777	Screw, Hex, Washer Head, Slotted #10-24 x 1/2
10	9484R	Clip
12	73510400	Nut, Keps Hex 1/4-20 unc
13	23230506	Screw, Set, Hex 5/16-18 x 3/8
14	156117	Spacer, Split 0.327 x 0.42 x 1.220
15	19111116	Washer 11/32 x 11/16 x 16 Ga.
16	145102	Sheave, Transmission
19	12000028	Ring, Retainer
21	110652X	Spacer, Split 0.327 x 0.42 x 2.09
22	74770508	Bolt, Fin Hex 5/16-24 x 1/2
23	102190X	Tire
	183122X624	Rim
	795R	Tire Valve
24	126875X	Rivet, Drilled

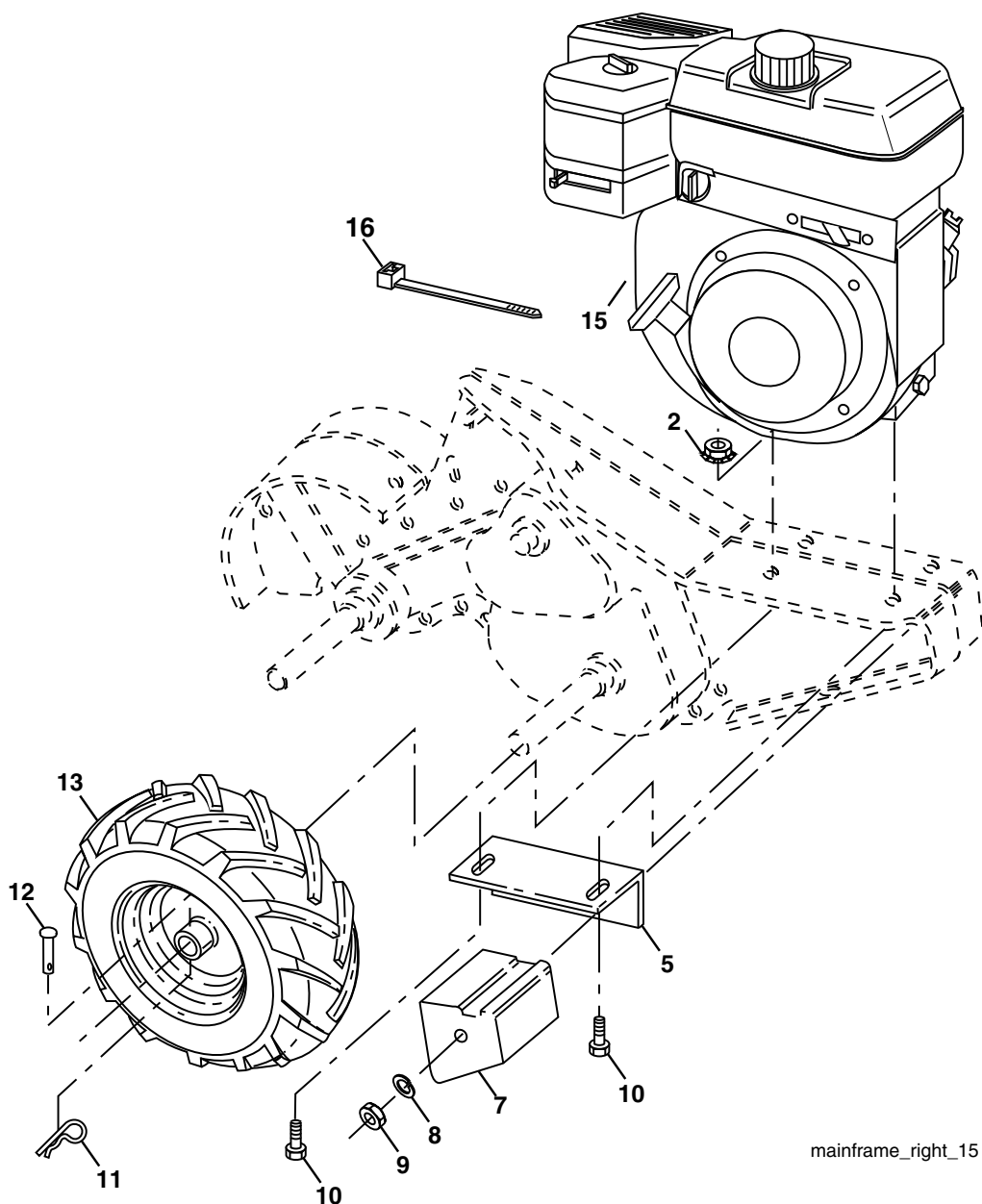
KEY NO.	PART NO.	DESCRIPTION
25	4497H	Clip, Hairpin
26	165501X003	Guard, Belt
27	132801	Belt, V
28	104679X	Pulley, Idler
29	12000032	Ring, Klip
30	159229	Bracket, Idler
31	102384X	Bolt, Hex 5/16-16 x 12
32	102141X	Shaft, Idler Arm
33	74760616	Bolt, Hex 3/8-16 x 1
34	102383X	Counterweight, L. H.
35	74760524	Bolt, Hex 5/16-18 x 1-1/2
36	102331X	Bracket, Reinforcement, L. H.
37	130812	Sheave, Engine
38	74760544	Bolt, Fin Hex 5/16-18 x 2-3/4
39	140062	Cap, Plunger
40	170488	Screw Hex Wsh Slit # 10-24 x .50
44	73800500	Nut, Lock 5/16-18
65	73970500	Nut, Lock Hex Flange
66	19131312	Washer 13/32 x 13/16 x 12 Ga.

NOTE: All component dimensions given in U.S. inches.
1 inch = 25.4 mm

REPAIR PARTS

TILLER - - MODEL NUMBER MXR500 (96092000200), PRODUCT NO. 960 92 00-02

MAINFRAME, RIGHT SIDE



mainframe_right_15

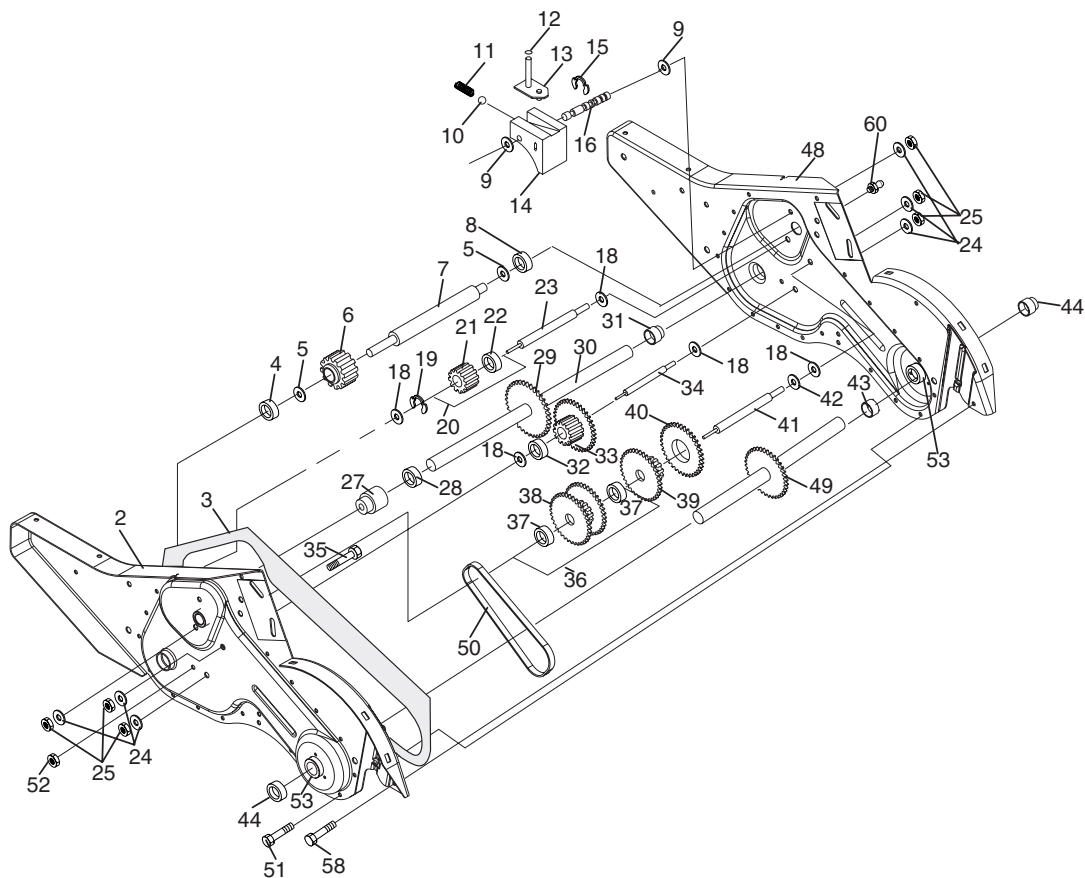
KEY NO.	PART NO.	DESCRIPTION
2	73970500	Nut, Lock Hex Flange
5	102332X	Bracket, Reinforcement
7	102173X	Counter Weight, R.H.
8	10040600	Washer, Lock 3/8
9	73220600	Nut, Hex 3/8-16
10	74760524	Bolt, Hex 5/16-18 x 1-1/2
11	4497H	Clip, Hairpin
12	126875X	Rivet, Drilled

KEY NO.	PART NO.	DESCRIPTION
13	102190X	Tire
	183122X624	Rim
	795R	Tire Valve
15	-----	Engine, Briggs Model 120302 (Order parts from engine manufacturer)
16	7192J	Tie Cable

NOTE: All component dimensions given in U.S.inches.
1 inch = 25.4 mm

REPAIR PARTS

TILLER - - MODEL NUMBER MXR500 (96092000200), PRODUCT NO. 960 92 00-02 TRANSMISSION



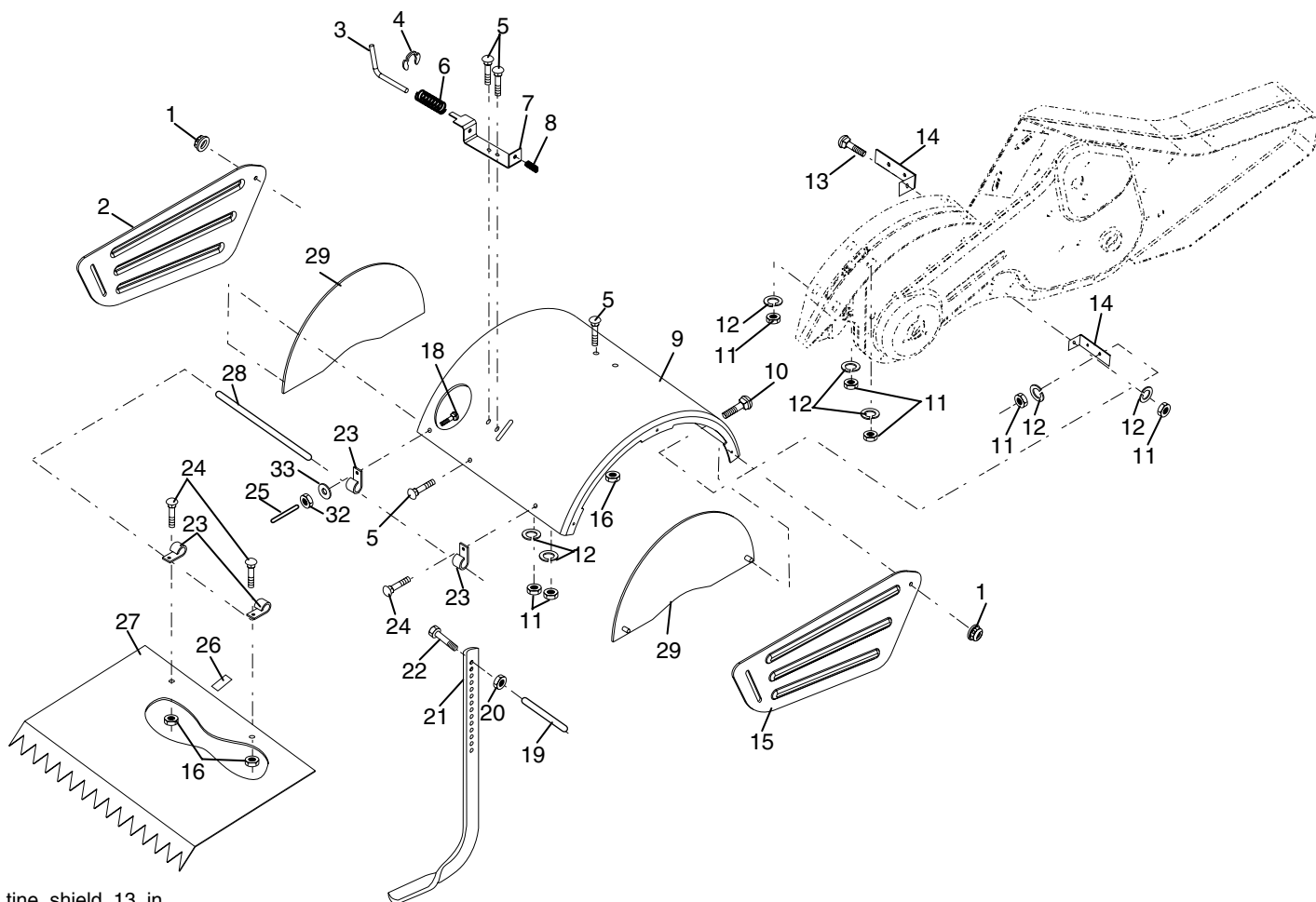
transmission_19.5b

KEY NO.	PART NO.	DESCRIPTION	KEY NO.	PART NO.	DESCRIPTION
1	188554	Transmission Assembly (Includes Key Nos. 2-54)	29	102134X	Chain #35-50 Pitch
2	188482	Gearcase, L.H. w/Bearing (Includes Key No. 4)	30	150737	Ground Shaft Assembly
3	161963	Gasket, Gearcase	31	143008	Bearing, Shaft, Ground Drive R.H.
4	5020J	Bearing, Needle	32	106388X	Spacer 0.70 x 1.00 x 1.150
5	1370H	Washer, Thrust 5/8 x 1.10 x 1/32	33	102121X	Sprocket and Gear Assembly
6	137335	Pinion, Input	34	102112X	Shaft, Reduction (2nd)
7	145101	Shaft, Input	35	102101X	Screw, Whiz, Lock 5/16-18 x 3-1/2
8	4895H	Bearing, Needle	36	154355	Sprocket Assembly w/Bearing (Includes Key Nos. 37 and 38)
9	154467	Washer, Seal	37	4422J	Bearing, Needle
10	7392M	Ball, Steel	38	154356	Sprocket, Tine
11	100371K	Spring, Shift, Fork	39	105345X	Gear, Cluster, Red 1st & 2nd
12	106160X	O-Ring	40	105346X	Gear, Reverse
13	142145	Bracket, Shift	41	8358J	Shaft, Reduction (1st)
14	8353J	Fork, Shift	42	4220R	Washer, Thrust
15	12000039	Ring, Klip	43	106146X	Spacer 1.01 x 1.75 x 0.760
16	154466	Shaft, Shift	44	155236	Seal, Asm. Oil
18	4358J	Washer	48	188485	Gearcase, R.H. w/Bearing (Includes Key No. 8)
19	12000040	Ring, Klip	49	132688	Shaft, Tine
20	102114X	Gear, Assembly, Reverse Idler (Includes Key Nos. 21 and 22)	50	106147X	Chain, Roller #50-50 Pitch
21	102115X	Gear, Reverse Idler	51	17720408	Screw 1/4-20 x 1/2
22	6803J	Bearing, Needle	52	73220500	Nut, Hex 5/16-18
23	102111X	Shaft, Reverse Idler	53	165140	Kit, Bearing, Tine Shaft
24	10040700	Washer, Lock 7/16	58	179520	Bolt Shoulder 1/4-20 x .875
25	73610700	Nut, Hex 7/16-20	60	183226	Fitting Grease
27	143009	Bearing, Shaft, Ground Drive L.H.	--	6066J	Grease, Plastilube #1
28	106390X	Spacer 0.765 x 1.125 x 1.23			

NOTE: All component dimensions given in U.S. inches.
1 inch = 25.4 mm

REPAIR PARTS

TILLER - - MODEL NUMBER MXR500 (96092000200), PRODUCT NO. 960 92 00-02
TINE SHIELD



tine_shield_13_in

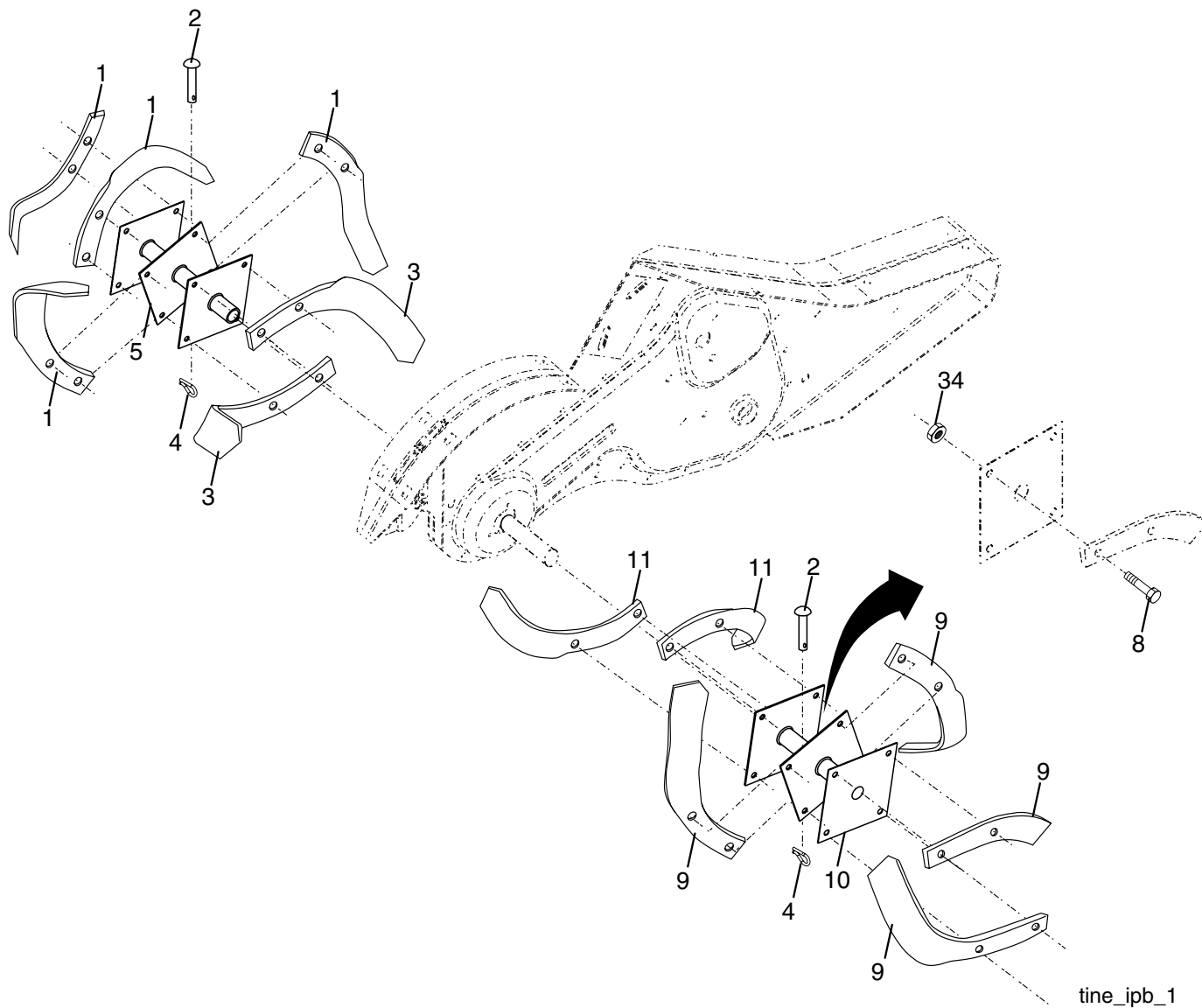
KEY NO.	PART NO.	DESCRIPTION
1	73900500	Nut, Flange 5/16-18
2	161415	Shield, Side, Outer L. H.
3	8393J	Pin, Stake, Depth
4	12000035	Ring, Klip
5	180847	Bolt, Carriage 5/16-18 x 3/4
6	8394J	Spring
7	8392J	Bracket, Latch
8	109230X	Spring, Depth Stake
9	102326X505	Shield, Tine
10	72140508	Bolt, Carriage 5/16-18 x 1
11	73220500	Nut, Hex 5/16-18
12	10040500	Washer, Lock 5/16
13	72110510	Bolt, Carriage 5/16-18 x 1-1/4
14	124343X	Bracket, Shield Tine
15	161414	Shield, Side, Outer R.H.
16	73900400	Nut, Hex Flange 1/4-20 UNC
18	72040410	Bolt, Carriage 1/4-20 x 1-1/4 Gr. 5

KEY NO.	PART NO.	DESCRIPTION
19	102701X	Grip
20	73220600	Nut, Hex 3/8-16
21	102156X	Stake, Depth
22	74930632	Bolt, Hex 3/8-16 x 2
23	4440J	Hinge
24	72140404	Bolt, Carriage 1/4-20 x 1/2 Gr. 5
25	6712J	Cap, Vinyl
26	109227X	Pad, Idler
27	102695X505	Shield, Leveling
28	120588X	Pin, Hinge
29	104085X505	Shield, Side
32	73220400	Nut Fin Hex 1/4-20 UNC
33	10040400	Washer Lock Hvy Helical 1/4

NOTE: All component dimensions given in U.S. inches.
 1 inch = 25.4 mm

REPAIR PARTS

TILLER - - MODEL NUMBER MXR500 (96092000200), PRODUCT NO. 960 92 00-02
TINE ASSEMBLY



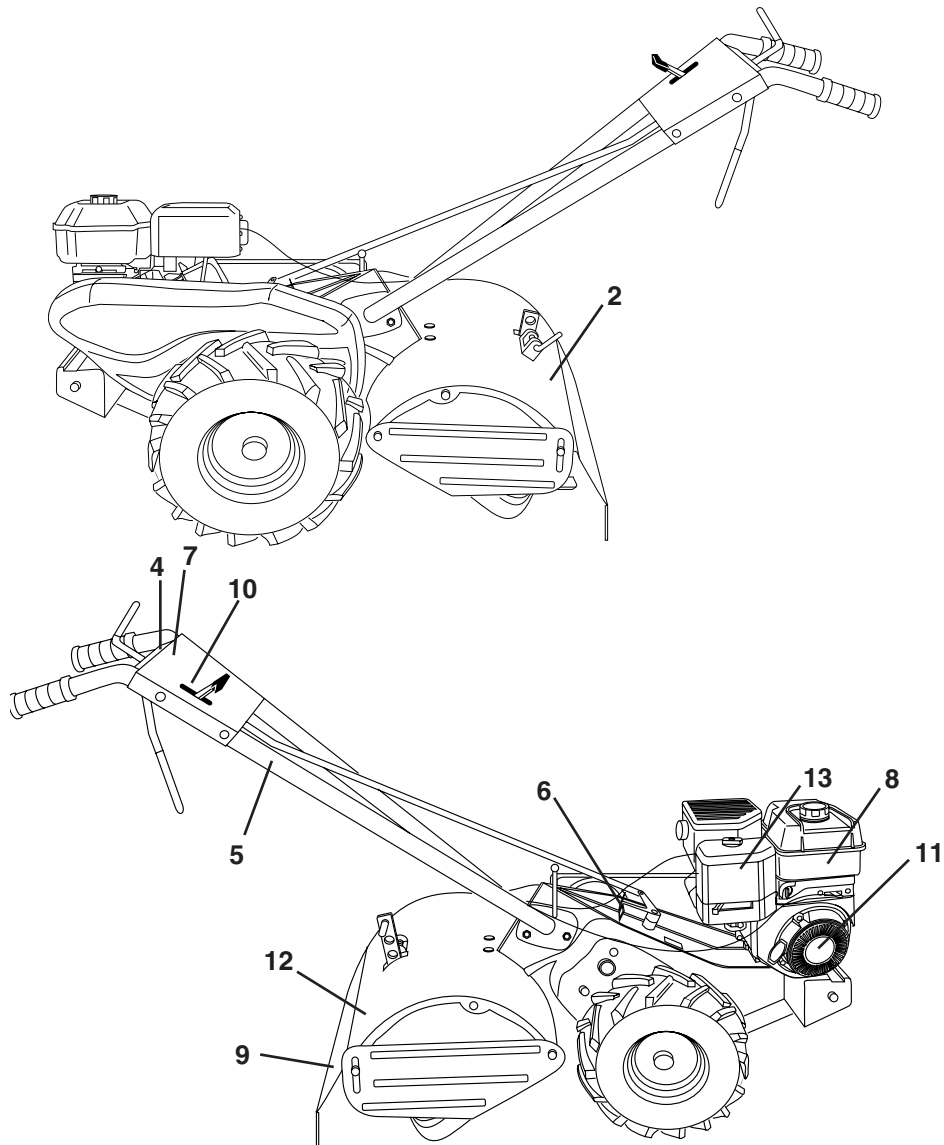
KEY NO.	PART NO.	DESCRIPTION
1	4459J	Tine, Outer, L.H.
2	132673	Clevis Pin
3	6554J	Tine, Inner, L.H.
4	3146R	Retainer, Spring
5	132727	Assembly, Hub and Plate, L.H.
8	74610616	Bolt, Hex 3/8-24 x 1
9	4460J	Tine, Outer, R.H.

KEY NO.	PART NO.	DESCRIPTION
10	132728	Assembly, Hub and Plate, R.H.
11	6555J	Tine, Inner, R.H.
34	73540600	Nut Crownlock 3/8-24

NOTE: All component dimensions given in U.S. inches.
1 inch = 25.4 mm

REPAIR PARTS

TILLER - - MODEL NUMBER MXR500 (96092000200), PRODUCT NO. 960 92 00-02
DECALS



KEY NO.	PART NO.	DESCRIPTION
2	139073	Decal, Logo
4	110678X	Decal, Instruction, Tilling
5	110614X	Decal, Hand Placement
6	102180X	Decal, Shift Indicator
7	156199	Decal, Pnl Cntrl Reverse
8	171077	Decal, OHV.N-I/C
9	120076X	Decal, Warning, Rotating Tines
10	157607	Decal, Throttle
11	171078	Decal, Rewind Intek
12	162384	Decal, Warning Till
13	171075	Decal, B&S Tiller
--	195557	Manual, Owner's (English)
--	195558	Manual, Owner's (French)