

ILLUSTRATED PARTS LIST

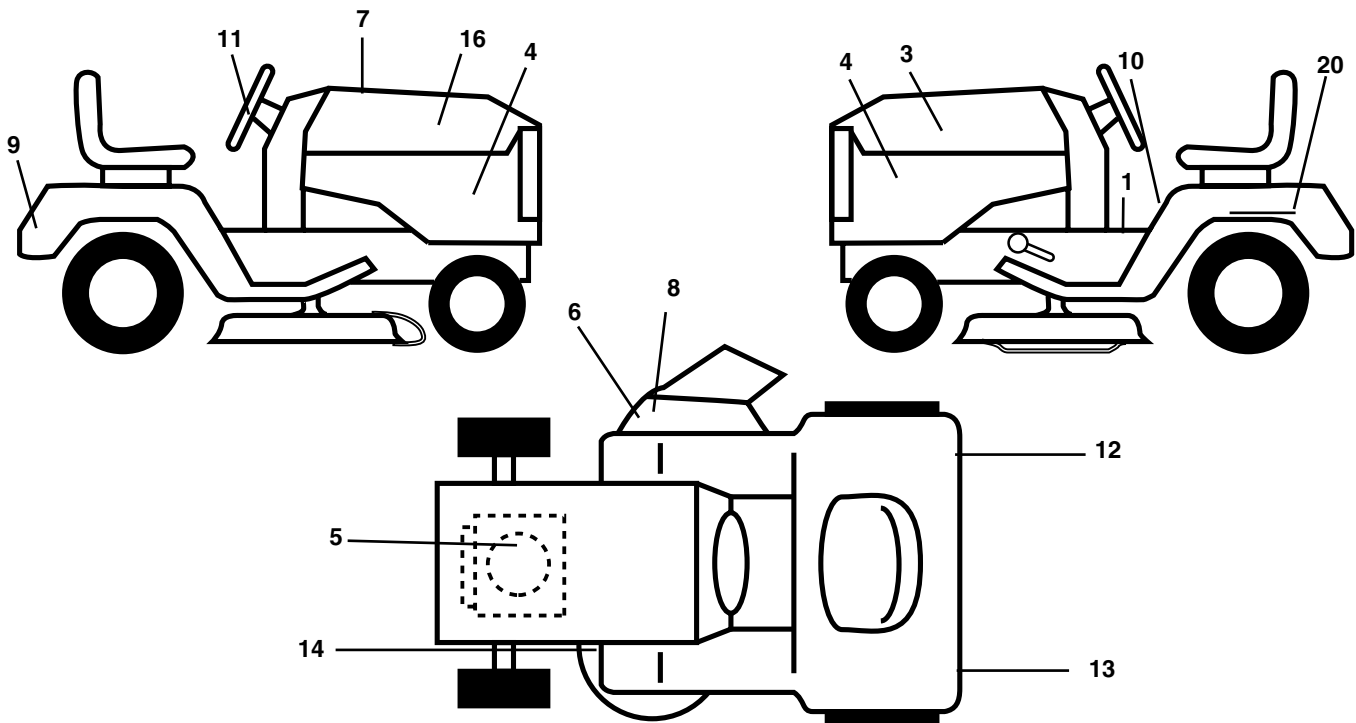
MFG ID - 96012000300

CUSTOMER CATALOG NUMBER - PB18542LT

REPAIR PARTS

TRACTOR -- MODEL NUMBER PB18542LT (96012000300)

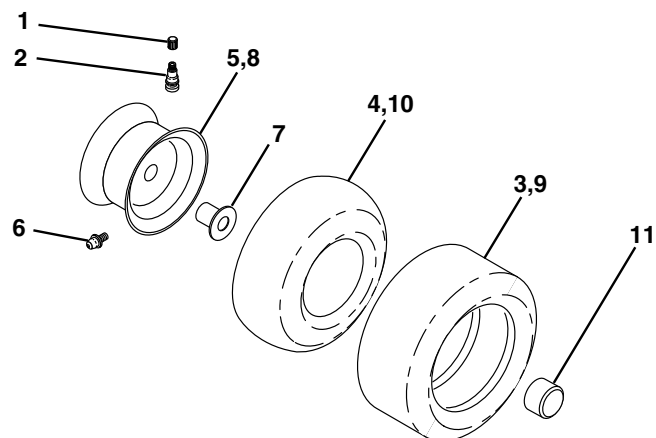
DECALS



| KEY NO. | PART NO. | DESCRIPTION |
|---------|----------|-------------------------------|
| 1 | 193863 | Decal Oper |
| 3 | 186164 | Decal Hood LH |
| 4 | 189290 | Decal Side Panel Logo |
| 5 | 189288 | Decal HP Engine |
| 6 | 170563 | Decal Warning, Keep Hand Away |
| 7 | 194553 | Decal Replacement Parts |
| 8 | 179128 | Decal Deck "B" 42" |
| 9 | 172740 | Decal Fender Logo |
| 10 | 157140 | Decal Fender Danger E/F |
| 11 | 172743 | Decal Ins Strg Whl |
| 12 | 173587 | Decal Fend Reflector Rh |
| 13 | 173589 | Decal Fend Reflector Lh |

| KEY NO. | PART NO. | DESCRIPTION |
|---------|------------|---|
| 14 | 160396 | Decal V-Belt Schematic |
| 16 | 186163 | Decal Hood Rh |
| 20 | 145005 | Decal Bat Dan/Psn |
| -- | 179768X428 | Pad Footrest LH |
| -- | 179769X428 | Pad Footrest RH |
| -- | 138311 | Decal Handle Lft Height Adjust |
| -- | 194632 | Manual Operator's (English & French) Manual Parts |
| -- | 194633 | Manual Parts |

WHEELS AND TIRES

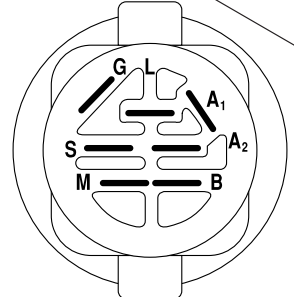
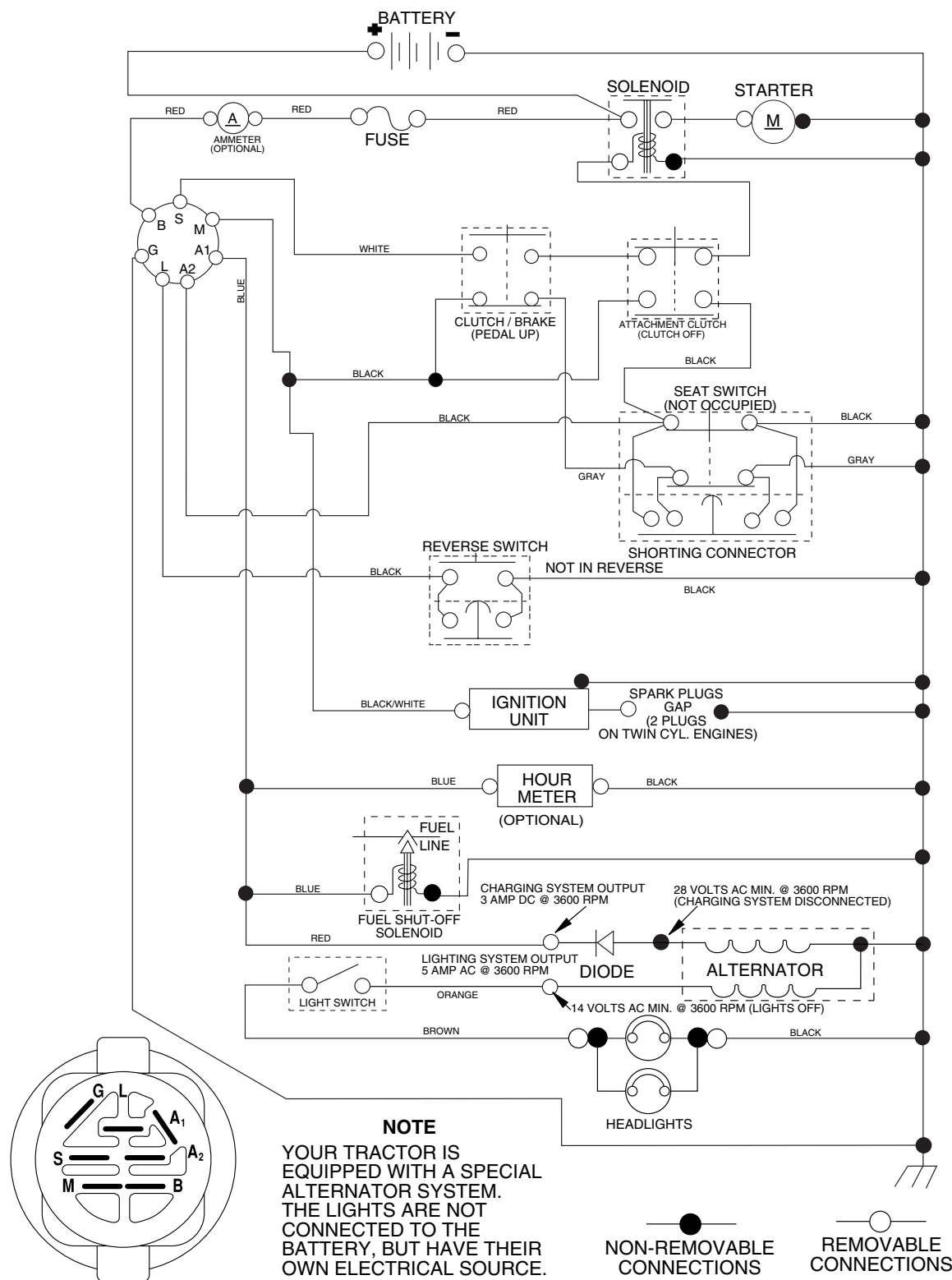


| KEY NO. | PART NO. | DESCRIPTION |
|---------|------------|-----------------------------------|
| 1 | 59192 | Cap Valve Tire |
| 2 | 65139 | Stem Valve |
| 3 | 106222X | Tire F T 15 x 6 0 - 6 Service |
| 4 | 59904 | Tube Front (Service Item Only) |
| 5 | 106732X421 | Rim Asm 6" front Service |
| 6 | 278H | Fitting Grease (Front Wheel Only) |
| 7 | 9040H | Bearing Flange (Front Wheel nly) |
| 8 | 106108X421 | Rim Asm 8" rear Service |
| 9 | 138468 | Tire R T 20 x 8-8 Service |
| 10 | 7152J | Tube Rear (Service Item Only) |
| 11 | 104757X421 | Cap Axle Blk 1 50 x 1 00 |
| -- | 144334 | Sealant, Tire (10 oz. Tube) |

NOTE: All component dimensions given in U.S. inches
1 inch = 25.4 mm

TRACTOR - - MODEL NUMBER PB18542LT (96012000300)

SCHEMATIC



IGNITION SWITCH

| POSITION | CIRCUIT "MAKE" |
|--------------|----------------|
| OFF | M+G+A1 |
| RUN/OVERRIDE | B+A1 |
| RUN | B+A1 L+A2 |
| START | B + S + A1 |

02836

NOTE

YOUR TRACTOR IS EQUIPPED WITH A SPECIAL ALTERNATOR SYSTEM. THE LIGHTS ARE NOT CONNECTED TO THE BATTERY, BUT HAVE THEIR OWN ELECTRICAL SOURCE. BECAUSE OF THIS, THE BRIGHTNESS OF THE LIGHTS WILL CHANGE WITH ENGINE SPEED. AT IDLE THE LIGHTS WILL DIM. AS THE ENGINE IS SPEEDED UP, THE LIGHTS WILL BECOME THEIR BRIGHTEST.



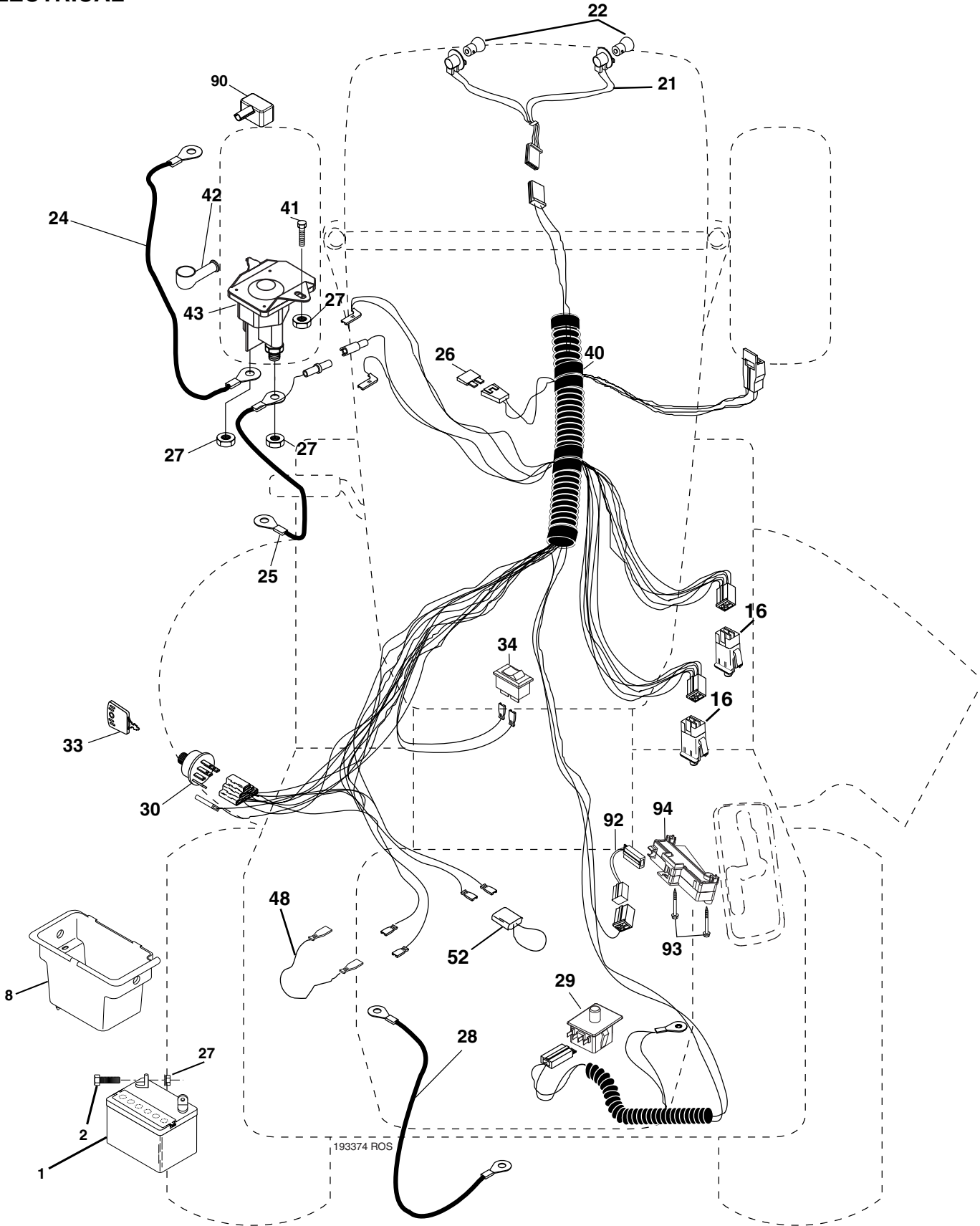
WIRING INSULATED CLIPS

NOTE: IF WIRING INSULATED CLIPS WERE REMOVED FOR SERVICING OF UNIT, THEY SHOULD BE REPLACED TO PROPERLY SECURE YOUR WIRING.

REPAIR PARTS

TRACTOR -- MODEL NUMBER PB18542LT (96012000300)

ELECTRICAL



193374 ROS

REPAIR PARTS

TRACTOR - - MODEL NUMBER PB18542LT (96012000300)

ELECTRICAL

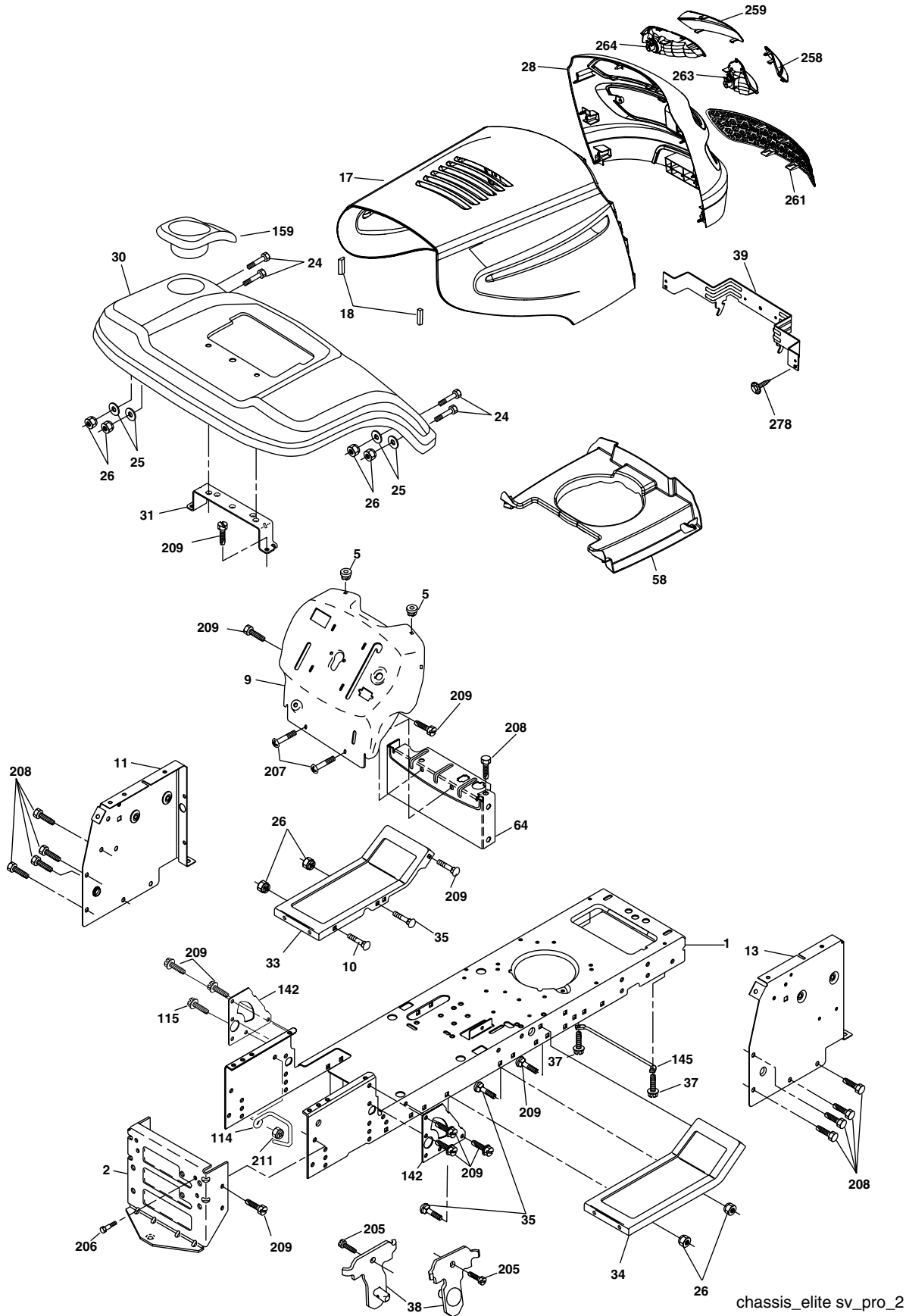
| KEY NO. | PART NO. | DESCRIPTION |
|---------|----------|---------------------------------------|
| 1 | 163465 | Battery |
| 2 | 74760412 | Bolt Hex Hd 1/4-20 unc x 3/4 |
| 8 | 176689 | Box Battery |
| 16 | 176138 | Switch Interlock |
| 21 | 183759 | Harness Socket Light |
| 22 | 4152J | Bulb, Light # 1156 |
| 24 | 4799J | Cable Battery |
| 25 | 146147 | Cable Battery 6 Ga. Red w/16 wire 44" |
| 26 | 175158 | Fuse |
| 27 | 73510400 | Nut Keps Hex 1/4-20 unc |
| 28 | 4207J | Cable Ground 12" Blk 6 Ga. |
| 29 | 192749 | Switch Seat |
| 30 | 193350 | Switch Ign |
| 33 | 140401 | Key Ign Molded Generic |
| 34 | 110712X | Switch Light/Reset |
| 40 | 193374 | Harness Ign |
| 41 | 71110408 | Bolt Fin Hex 1/4-20 unc x 1/2 |
| 42 | 131563 | Cover Terminal Red |
| 43 | 178861 | Solenoid |
| 48 | 140844 | Adapter Ammeter |
| 52 | 141940 | Protection Loop |
| 90 | 180449 | Cover Terminal |
| 92 | 193465 | Harness Pigtail Reverse Switch |
| 93 | 192540 | Screw Plastic 10-14 x 2.0 |
| 94 | 191834 | Modual Reverse ROS |

NOTE: All component dimensions given in U.S. inches
1 inch = 25.4 mm

REPAIR PARTS

TRACTOR - - MODEL NUMBER PB18542LT (96012000300)

CHASSIS AND ENCLOSURES



REPAIR PARTS**TRACTOR - - MODEL NUMBER PB18542LT (96012000300)**
CHASSIS AND ENCLOSURES

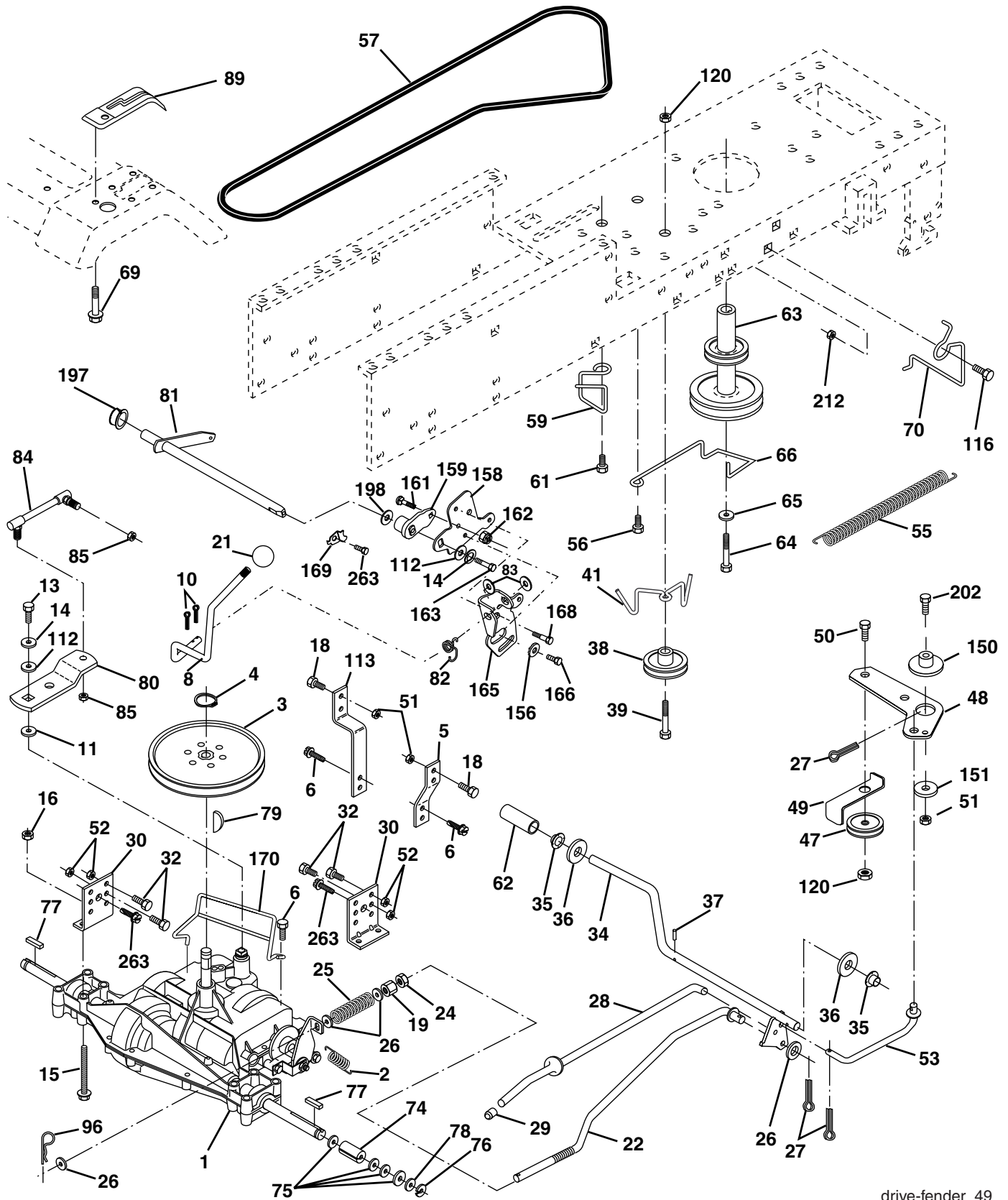
| KEY NO. | PART NO. | DESCRIPTION |
|----------------|-----------------|---|
| 1 | 174619 | Chassis |
| 2 | 176554 | Drawbar |
| 5 | 155272 | Bumper Hood/Dash |
| 9 | 193510X010 | Dash P/L |
| 10 | 72140608 | Bolt Carriage 3/8-16 x 1 |
| 11 | 174996 | Panel Dash Lh |
| 13 | 179174X010 | Panel Dash Rh |
| 17 | 183393X428 | Hood |
| 18 | 184921 | Bumper Hood |
| 24 | 74780616 | Bolt Fin Hex 3/8-16 unc x 1 Gr. 5 |
| 25 | 19131312 | Washer 13/32 x 13/16 x 12 Ga. |
| 26 | 73800600 | Nut Lock Hex W/Ins 3/8-16 unc |
| 28 | 183828 | Grille/Lens Asm (Includes Key Nos. 258, 259, 261, 263, 264) |
| 30 | 192528X428 | Fender |
| 31 | 136619 | Bracket Fender |
| 33 | 179716X428 | Footrest LH |
| 34 | 179717X428 | Footrest RH |
| 35 | 72110606 | Bolt RDHD SHT SQNK 3/8-16 x 3/4 |
| 37 | 17490508 | Screw Thdrol 6/16-18 x 1/2 TYT |
| 38 | 175710 | Bracket Asm Pivot Mower Rear |
| 39 | 174714 | Bracket Pivot |
| 58 | 184322 | Duct Air |
| 64 | 154798 | Dash Lower STLT |
| 114 | 158112 | Keeper Belt Rear LH |
| 115 | 17060620 | Screw THDROL 3/8-16 x 1-1/4 |
| 142 | 175702 | Plate Reinforcement STLT |
| 145 | 156524 | Rod Pivot Chassis/Hood |
| 159 | 169473X428 | Cupholder |
| 205 | 17490608 | Screw Thdrol 3/8-16 x 1/2 |
| 206 | 170165 | Bolt Shoulder 5/16-18 |
| 207 | 17670508 | Screw Thdrol 5/16-18 x 1/2 |
| 208 | 17670608 | Screw Thdrol 3/8-16 x 1/2 |
| 209 | 17000612 | Screw Hexwsh Thdr 3/8-16 x 3/4 |
| 211 | 145212 | Nut Hex Flange Lock |
| 258 | 183835X599 | Lens Grille Pro RH |
| 259 | 183834X599 | Lens Grille Pro LH |
| 261 | 183829X428 | Insert Grille |
| 263 | 183833 | Bezel Grille RH |
| 264 | 183832 | Bezel Grille LH |
| 278 | 191611 | Screw 10 x 3/4 Single Lead |
| -- | 5479J | Plug BTN BIK |
| -- | 187801 | Plug Domed Plastic |

NOTE: All component dimensions given in U.S. inches
1 inch = 25.4 mm

REPAIR PARTS

TRACTOR - - MODEL NUMBER PB18542LT (96012000300)

DRIVE



drive-fender_49

REPAIR PARTS**TRACTOR - - MODEL NUMBER PB18542LT (96012000300)****DRIVE**

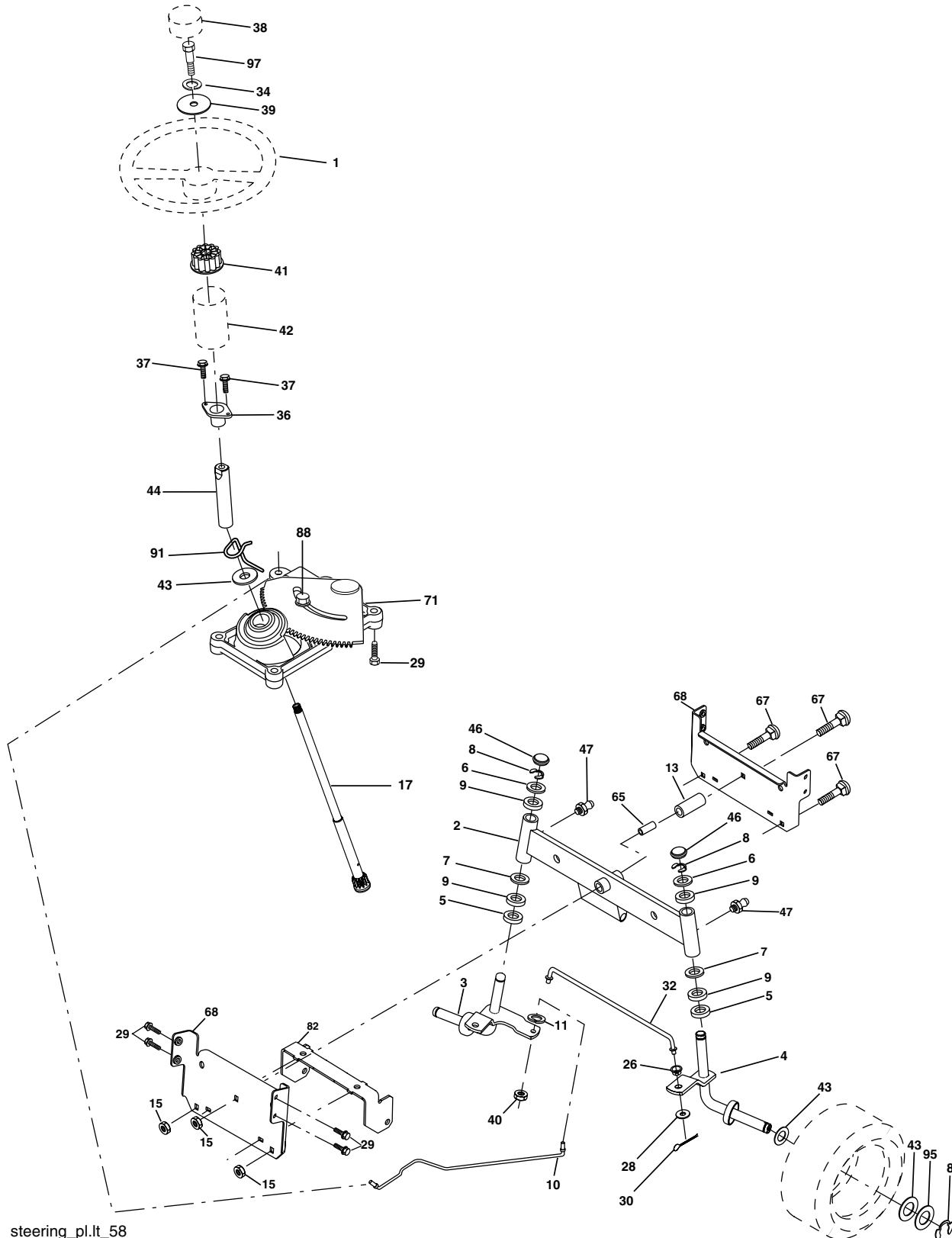
| KEY NO. | PART NO. | DESCRIPTION | KEY NO. | PART NO. | DESCRIPTION |
|----------------|-----------------|--|----------------|-----------------|-----------------------------------|
| 1 | ----- | Transaxle Peerless (206-545C) (Order parts from transaxle manufacturer) | 62 | 8883R | Cover Pedal Blk Round |
| 2 | 146682 | Spring Return Brake T/a Zinc | 63 | 175410 | Engine Pulley |
| 3 | 123666X | Pulley Transaxle 18" tires | 64 | 173937 | Bolt Hex |
| 4 | 12000028 | Ring Retainer # 5100-62 | 65 | 10040700 | Washer Lock Hvy Hlcl Spr 7/16 |
| 5 | 121520X | Strap Torque 30 Degrees | 66 | 154778 | Keeper Belt Engine Foolproof |
| 6 | 17060512 | Screw 5/16-18 x 3/4 | 69 | 142432 | Screw Hex wsh HiLo 1/4 x 1/2 unc |
| 8 | 192706 | Rod Shift Fender Adjust Lt | 70 | 134683 | Guide Belt Mower Drive RH |
| 10 | 76020416 | Pin Cotter 1/8 x 1 Cad | 74 | 137057 | Spacer Axle |
| 11 | 105701X | Washer Plate Shf 388 Sq Hole | 75 | 121749X | Washer 25/32 x 1-1/4 x 16 Ga |
| 13 | 74550412 | Bolt 1/4-28 Unf Gr 8 W/Patch | 76 | 12000001 | E-ring #5133-75 |
| 14 | 10040400 | Washer Lock Hvy Helical | 77 | 123583X | Key Square 2 0 x 1845/1865 |
| 15 | 74490544 | Bolt Hex FLGHD 5/16-18 Gr. 5 | 78 | 121748X | Washer 25/32 x 1-5/8 x 16 Ga |
| 16 | 73800500 | Nut Lock Hex w/ins 5/16-18 | 79 | 2228M | Key Woodruff #9 3/16 x 3/4 |
| 18 | 74780616 | Bolt, Fin Hex 3/8-16 unc x 1 Gr. 5 | 80 | 145090 | Arm Shift |
| 19 | 73800600 | Nut Lock 3/8-16 unc | 81 | 165592 | Shaft Asm Cross Tapered PMST/20 |
| 21 | 140845 | Knob | 82 | 165711 | Spring Torsion T/a |
| 22 | 130804 | Rod Brake Blk Zinc 26 840 | 83 | 19171216 | Washer 17/32 x 3/4 x 16 Ga |
| 24 | 73350600 | Nut Hex Jam 3/8-16 unc | 84 | 166231 | Link Transaxle PMST/20" Zinc |
| 25 | 106888X | Spring Rod Brake 2 00 Zinc | 85 | 150360 | Nut Lock Center 1/4 - 28 FNTHD |
| 26 | 19131316 | Washer 13/32 x 13/16 x 16 Ga. | 89 | 192053X428 | Console Shift STLT |
| 27 | 76020412 | Pin Cotter 1/8 x 3/4 Cad | 96 | 4497H | Retainer Spring 1" |
| 28 | 175765 | Rod Brake Parking LT/YT | 112 | 19091210 | Washer 9/32 x 3/4 x 10 Ga. |
| 29 | 71673 | Cap Brake Parking | 113 | 127285X | Strap Torque LT |
| 30 | 169592 | Bracket Mtg Transaxle | 116 | 72140608 | Bolt Rdhd Sq Neck 3/8-16 x 1 |
| 32 | 74760512 | Bolt Hex Hd 5/16-18unc X 3/4 | 120 | 73900600 | Nut Lock Flg. 3/8-16 unc |
| 34 | 175578 | Shaft Asm Pedal Foot | 150 | 175456 | Spacer Retainer |
| 35 | 120183X | Bearing Nylon Blk 629 Id | 151 | 19133210 | Washer 13/32 x 2 x 10 |
| 36 | 19211616 | Washer 21/32 x 1 x 16 Ga. | 156 | 166002 | Washer Srrted 5/16ID x 1.125 |
| 37 | 1572H | Pin Roll 3/16 x 1" | 158 | 165589 | Bracket Shift Mount |
| 38 | 179114 | Pulley Composite Flat | 159 | 183900 | Hub Shift |
| 39 | 72110622 | Bolt RDH 3/8-16 unc x 2-3/4 Gr. 5 | 161 | 72140406 | Bolt Rdhd Sqnc 1/4-20 x 3/4 |
| 41 | 175556 | Keeper Belt Flat Idler | 162 | 73680400 | Nut Crownlock 1/4-20 unc |
| 47 | 127783 | Pulley Idler V Groove Plastic | 163 | 74780416 | Bolt Hex Fin 1/4-20 unc x 1 Gr. 5 |
| 48 | 154407 | Bellcrank Asm | 165 | 165623 | Bracket Pivot Lever |
| 49 | 123205X | Retainer Belt Style Spring | 166 | 17490510 | Screw 5/16-18 x 5/8 |
| 50 | 72110612 | Bolt Hex Hd 3/8-16 unc X 1-1/2 | 168 | 165492 | Bolt Shoulder 5/16-18 x .561 |
| 51 | 73680600 | Nut Crownlock 3/8-16 unc | 169 | 165580 | Plate Fastening |
| 52 | 73680500 | Nut Crownlock 5/16-18 unc | 170 | 187414 | Keeper Belt Transaxle Gear |
| 53 | 105710X | Link Clutch | 197 | 169613 | Nyliner Snap-In |
| 55 | 105709X | Spring Return Clutch 6 75 | 198 | 169593 | Washer Nyliner |
| 56 | 17060620 | Screw 3/8-16 x 1-1/4 | 202 | 72110614 | Bolt Carr Sh 3/8-16 x 1-3/4 Gr. 5 |
| 57 | 130801 | V-Belt Ground Drive 95 25 | 212 | 145212 | Nut Hexflange Lock |
| 59 | 169691 | Keeper Belt Span Ctr | | | |
| 61 | 17120614 | Screw 3/8-16 x .875 | | | |

NOTE: All component dimensions given in U.S. inches
1 inch = 25.4 mm

REPAIR PARTS

TRACTOR - - MODEL NUMBER PB18542LT (96012000300)

STEERING ASSEMBLY



steering_pl.lt_58

REPAIR PARTS**TRACTOR - - MODEL NUMBER PB18542LT (96012000300)****STEERING ASSEMBLY**

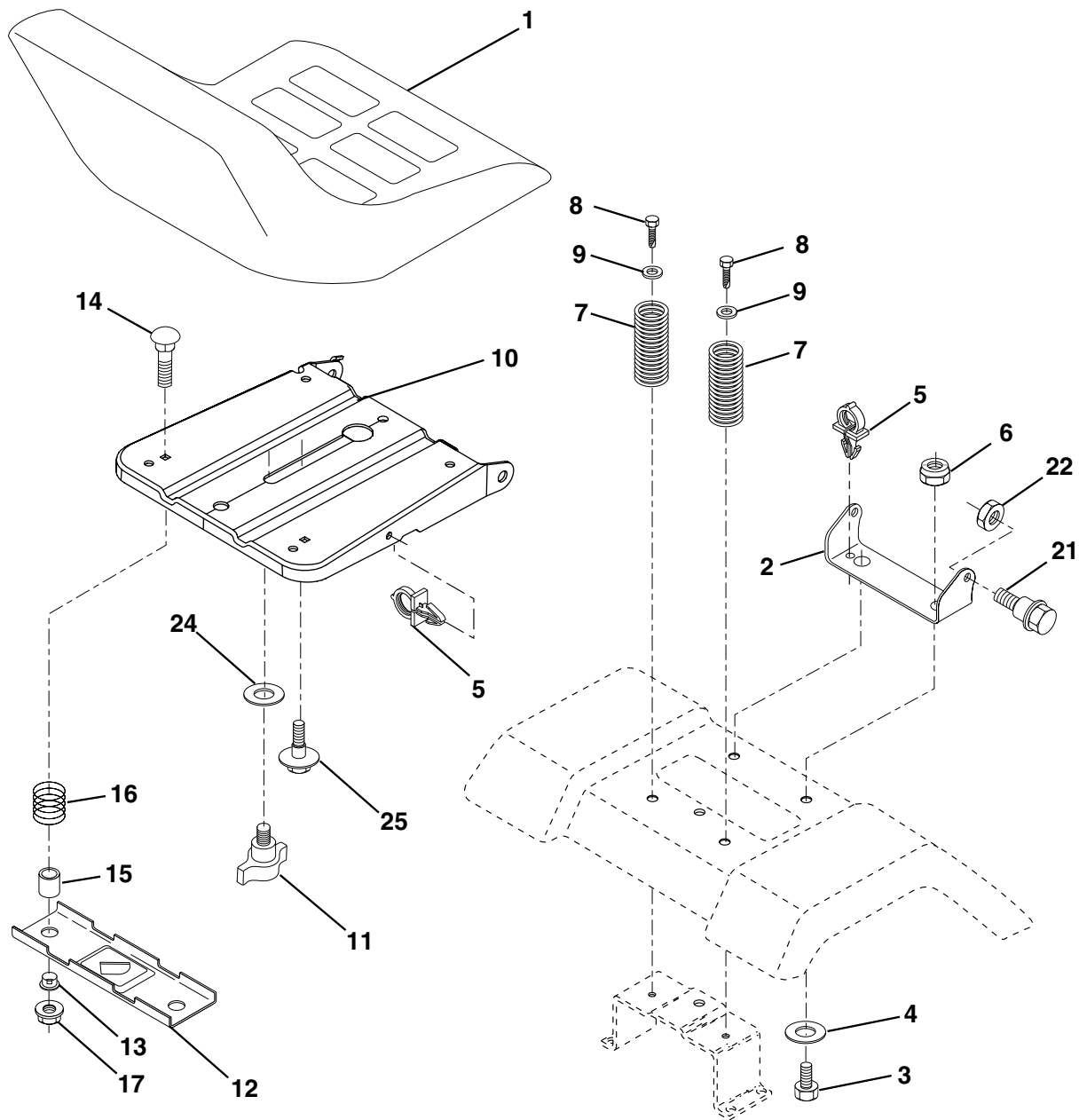
| KEY NO. | PART NO. | DESCRIPTION |
|--------------------|---------------------|-------------------------------------|
| 1 | 186093X428 | Wheel Steering |
| 2 | 175131 | Axle Asm |
| 3 | 169840 | Spindle Asm LH |
| 4 | 169839 | Spindle Asm RH |
| 5 | 6266H | Bearing Race Thrust Harden |
| 6 | 121748X | Washer 25/32 x 1-5/8 x 16 Ga. |
| 7 | 19272016 | Washer 27/32 x 1-1/4 x 16 Ga. |
| 8 | 12000029 | Ring Klip #5304-75 |
| 9 | 3366R | Bearing |
| 10 | 175121 | Link Drag |
| 11 | 10040600 | Washer Lock Hvy Hlcl Spr 3/8 |
| 13 | 136518 | Spacer Brg Axle Front |
| 15 | 145212 | Nut Hex Flange Lock |
| 17 | 190753 | Shaft Asm Steering |
| 26 | 126847X | Bushing Link Drag |
| 28 | 19131416 | Washer 13/32 x 7/8 x 16 Ga. |
| 29 | 17000612 | Screw 3/8-16 x .75 |
| 30 | 76020412 | Pin Cotter 1/8 x 3/4 |
| 32 | 192757 | Rod Tie |
| 34 | 10040500 | Washer Lock Hvy HLCL Spr. 5/16 |
| 36 | 155099 | Bushing Strg |
| 37 | 152927 | Screw |
| 38 | 186095X428 | Insert Cap Strg Wh |
| 39 | 19113812 | Washer 11/32 ID x 2-3/8 OD x 12 Ga. |
| 40 | 73540600 | Crownlock nut |
| 41 | 186737 | Adaptor Wheel Strg |
| 42 | 145054X428 | Boot Steering Dash |
| 43 | 121749X | Washer 25/32 x 1 1/4 x 16 Ga. |
| 44 | 190752 | Extension Steering Shaft |
| 46 | 121232X | Cap Spindle Fr Top Blk |
| 47 | 183226 | Fitting Grease |
| 65 | 160367 | Spacer Brace Axle |
| 67 | 72110618 | Bolt RDHD SQNK 3/8-16 x 2 1/4 |
| 71 | 175146 | Steering Asm |
| 68 | 169827 | Axle, Brace |
| 82 | 169835 | Bracket Susp Chassis Front |
| 88 | 175118 | Bolt Shoulder 7/16-20 unc |
| 91 | 175553 | Clip Steering |
| 95 | 188967 | Washer Harden .739 x 1.637 x 060 |
| 97 | 74780564 | Bolt 5/16-18 UNC x 4 L Gr. 5 |

NOTE: All component dimensions given in U.S. inches
1 inch = 25.4 mm

REPAIR PARTS

TRACTOR - - MODEL NUMBER PB18542LT (96012000300)

SEAT ASSEMBLY



seat_lt.knob_13

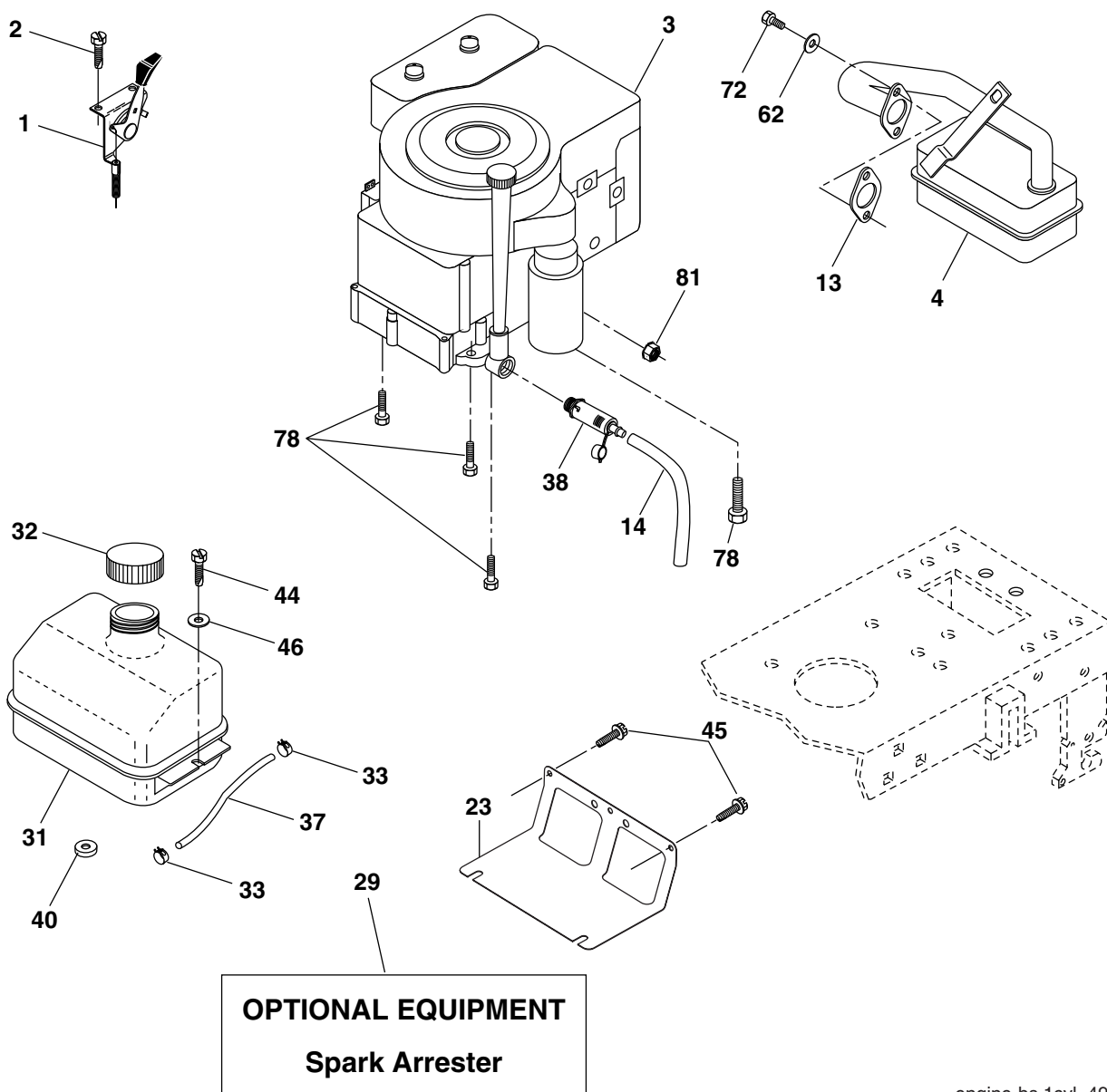
| KEY NO. | PART NO. | DESCRIPTION | KEY NO. | PART NO. | DESCRIPTION |
|---------|----------|--------------------------------|---------|----------|---------------------------------|
| 1 | 188712 | Seat | 13 | 121248X | Bushing Snap Blk Nyl 50 Id |
| 2 | 140551 | Bracket Pivot Seat 8 720 | 14 | 72050412 | Bolt Rdhd Sqnk 1/4-20 x 1-1/2 |
| 3 | 71110616 | Bolt Fin Hex 3/8-16 unc x 1 | 15 | 134300 | Spacer Split 28x 88 |
| 4 | 19131610 | Washer 13/32 x 1 x 10 Ga. | 16 | 121250X | Spring Cprsn |
| 5 | 145006 | Clip Push-In | 17 | 123976X | Nut Lock 1/4 Lge Flg Gr. 5 Zinc |
| 6 | 73800600 | Nut Hex w/Ins. 3/8-16 unc | 21 | 171852 | Bolt Shoulder 5/16-18 unc |
| 7 | 124181X | Spring Seat Cprsn 2 250 Blk Zi | 22 | 73800500 | Nut Hex Lock W/Ins 5/16-18 |
| 8 | 17000616 | Screw 3/8-16 x 1.5 Smgml | 24 | 19171912 | Washer 17/32 x 1-3/16 x 12 Ga. |
| 9 | 19131614 | Washer 13/32 x 1 x 14 Ga. | 25 | 127018X | Bolt Shoulder 5/16-18 x 62 |
| 10 | 182493 | Pan Seat | | | |
| 11 | 166369 | Knob Seat | | | |
| 12 | 174648 | Bracket Mounting Switch | | | |

NOTE: All component dimensions given in U.S. inches
1 inch = 25.4 mm

REPAIR PARTS

TRACTOR - - MODEL NUMBER PB18542LT (96012000300)

ENGINE



engine-bs.1cyl_49

| KEY NO. | PART NO. | DESCRIPTION |
|---------|----------|--|
| 1 | 170551 | Control, Throttle |
| 2 | 17720408 | Screw Hex Thd Cut 1/4-20 x 1/2 |
| 3 | ----- | Engine Briggs Model 31P777 (Order Parts from Engine Mfg.) |
| 4 | 137352 | Muffler |
| 13 | 165291 | Muffler Gasket |
| 14 | 148456 | Tube Oil Drain |
| 23 | 169837 | Shield, Browning/Debris Guard |
| 29 | 137180 | Arrester, Spark |
| 31 | 187750 | Tank, Fuel |
| 32 | 140527 | Cap, Fuel |
| 33 | 123487X | Clamp, Hose Blk |
| 37 | 137040 | Line, Fuel |
| 38 | 181654 | Plug Drain Oil Easy |
| 40 | 124028X | Bushing |
| 44 | 17670412 | Screw Hex Wsh THDROL 1/4-20 x 3/4 |

| KEY NO. | PART NO. | DESCRIPTION |
|---------|----------|-----------------------------------|
| 45 | 17000612 | Screw Hex Wsh Thdrol 3/8-16 x 3/4 |
| 46 | 19091416 | Washer 9/32 x 7/8 x 16 Ga. |
| 62 | 10010500 | Washer Split |
| 72 | 71070512 | Screw Hex Hd Cap 5/16-18 x 3/4 |
| 78 | 17060620 | Screw 3/8-16 x 1-1/4 |
| 81 | 73510400 | Nut Keps Hex 1/4-20 unc |

NOTE: All component dimensions given in U.S. inches
1 inch = 25.4 mm

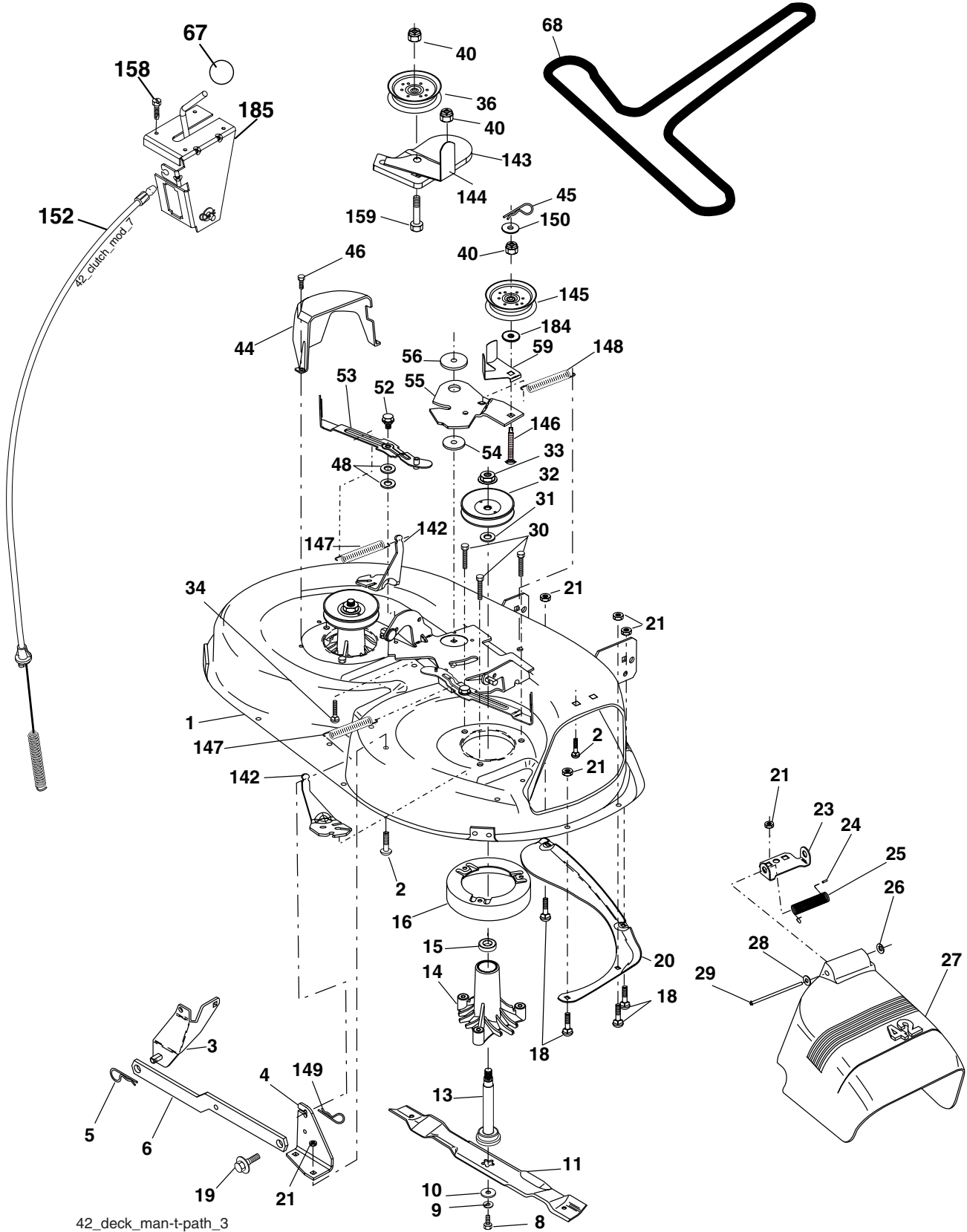
For engine service and replacement parts, call the toll free number for your engine manufacturer listed below:

| | |
|-------------------|----------------|
| Briggs & Stratton | 1-800-233-3723 |
| Kohler Co. | 1-800-544-2444 |
| Tecumseh Products | 1-800-558-5402 |
| Honda Engines | 1-800-426-7701 |
| Kawasaki | 1-949-460-5688 |

REPAIR PARTS

TRACTOR - - MODEL NUMBER PB18542LT (96012000300)

MOWER DECK



42_deck_man-t-path_3

REPAIR PARTS**TRACTOR - - MODEL NUMBER PB18542LT (96012000300)****MOWER DECK**

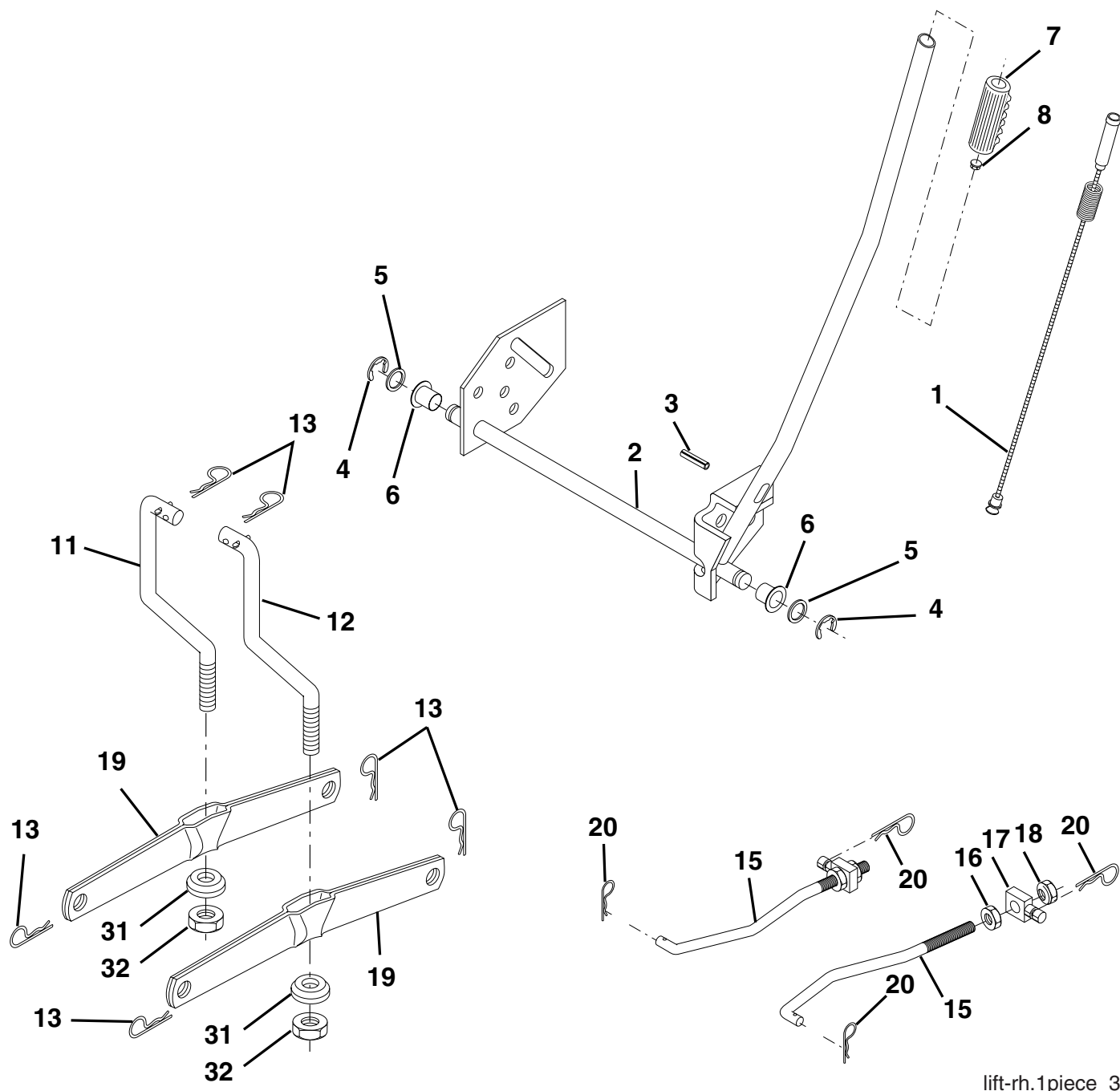
| KEY NO. | PART NO. | DESCRIPTION | KEY NO. | PART NO. | DESCRIPTION |
|----------------|-----------------|--|----------------|-----------------|---|
| 1 | 165892 | Mower Deck Assembly, 42" | 40 | 73900600 | Nut Lock 3/8-16 |
| 2 | 72140506 | Bolt | 44 | 140088 | Guard, Mandrel, LH |
| 3 | 138017 | Bracket Asm Fr. Sway Bar 3/42 | 45 | 4497H | Retainer |
| 4 | 165460 | Bracket Asm Deck 42" Sway Bar | 46 | 137729 | Screw, Thdrol 1/4-20 x 5/8 T |
| 6 | 178024 | Bar Sway Deck | 48 | 133944 | Washer, Hardened |
| 8 | 850857 | Bolt 3/8-24 x 1.25 Gr. 8 patched | 52 | 139888 | Bolt, Shoulder 5/16-18 unc |
| 9 | 10030600 | Washer, Lock | 53 | 184907 | Arm Assembly, Pad, Brake |
| 10 | 140296 | Washer, Hardened | 54 | 178515 | Washer, Hardened |
| | | (The following Blades are available) | 55 | 155046 | Arm, Idler |
| 11 | 138971 | Blade Mower 42" Hi-Lift (for bagging and discharging) | 56 | 165723 | Spacer, Retainer |
| - - | 134149 | Blade, Mulching 42" Std (for mulching mowers only) | 59 | 141043 | Guard TUV Idler |
| - - | 139775 | Blade Mulching 42" Premium (For better wear when mulching) | 67 | 171598 | Knob Round |
| 13 | 137645 | Shaft Assembly, Mandrel, Vented | 68 | 144959 | V-Belt, 42" Mower |
| 14 | 128774 | Housing, Mandrel, Vented | 142 | 165890 | Arm Spring Brake Mower |
| 15 | 110485X | Bearing, Ball, Mandrel | 143 | 157109 | Bracket Arm Idler 42" |
| 16 | 174493 | Stripper, Mandrel Deck | 144 | 158634 | Keeper Belt 42" Clutch Cable |
| 18 | 72140505 | Bolt, Carriage 5/16-18 x 5/8 | 145 | 165888 | Pulley Idler Flat |
| 19 | 132827 | Bolt, Shoulder | 146 | 171977 | Bolt Carriage Idler |
| 20 | 159770 | Baffle, Vortex | 147 | 131335 | Spring Extension |
| 21 | 73680500 | Nut | 148 | 169022 | Spring Return Idler |
| 23 | 177563 | Bracket, Deflector Mower 42" | 149 | 165898 | Retainer Spring Yellow |
| 24 | 105304X | Cap, Sleeve 80 x 112 Blk Mower | 150 | 19091210 | Washer 9/32 x 3/4 x 10 Ga. |
| 25 | 123713X | Spring, Torsion, Deflector 2 52 | 152 | 169676 | Clutch Cable 42" |
| 26 | 110452X | Nut, Push Phos & Oil | 158 | 17720408 | Screw Hex Thd Cut 1/4-20 x 1/2 |
| 27 | 130968X428 | Shield, Deflector 42" Blk | 159 | 72140614 | Bolt Rdhd Sqn 3/8-16 unc x 1-3/4 |
| 28 | 19111016 | Washer 11/32 x 5/8 x 16 Ga. | 184 | 19131410 | Washer 13/32 x 7/8 x 10 Ga. |
| 29 | 131491 | Rod, Hinge 42" 6 75 W/G | 185 | 188234 | Head Asm Cable Clutch |
| 30 | 173984 | Screw Thdrol | - - | 130794 | Mandrel Assembly (Includes Housing Shaft and Shaft Hardware Only - Pulley Not Included) |
| 31 | 187690 | Washer, Spacer Mower Vented | - - | 171639 | Replacement Mower, Complete |
| 32 | 153535 | Pulley, Mandrel | | | |
| 33 | 178342 | Nut, Toplock | | | |
| 34 | 72110612 | Bolt Carr SH 3/8-16 x 1-1/2 Gr.5 | | | |
| 36 | 131494 | Pulley, Idler, Flat | | | |

NOTE: All component dimensions given in U.S. inches
1 inch = 25.4 mm

REPAIR PARTS

TRACTOR - - MODEL NUMBER PB18542LT (96012000300)

MOWER LIFT



lift-rh.1piece_3

| KEY NO. | PART NO. | DESCRIPTION |
|---------|----------|-------------------------------|
| 1 | 159461 | Wire Asm Inner/Sprg W/plunger |
| 2 | 159476 | Shaft Asm Lift RH w/Inf |
| 3 | 188822 | Pin Groove 2" |
| 4 | 12000002 | E Ring #5133-62 |
| 5 | 19211621 | Washer 21/32 x 1 x 21 Ga. |
| 6 | 120183X | Bearing Nylon Blk 629 Id |
| 7 | 125631X | Grip Handle |
| 8 | 124526X | Button Plunger |
| 11 | 139865 | Link Lift LH Fixed Length |
| 12 | 139866 | Link Lift RH Fixed Length |
| 13 | 4939M | Retainer Spring |

| KEY NO. | PART NO. | DESCRIPTION |
|---------|----------|---------------------------|
| 15 | 173288 | Link Front |
| 16 | 73350800 | Nut Jam Hex 1/2-13 unc |
| 17 | 175689 | Trunnion |
| 18 | 73800800 | Nut Lock W/Wsh 1/2-13 unc |
| 19 | 139868 | Arm Suspension Rear |
| 20 | 163552 | Retainer Spring |
| 31 | 169865 | Bearing Pvt Lift |
| 32 | 73540600 | Nut Crownlock 3/8 - 24 |

NOTE: All component dimensions given in U.S. inches
1 inch = 25.4 mm