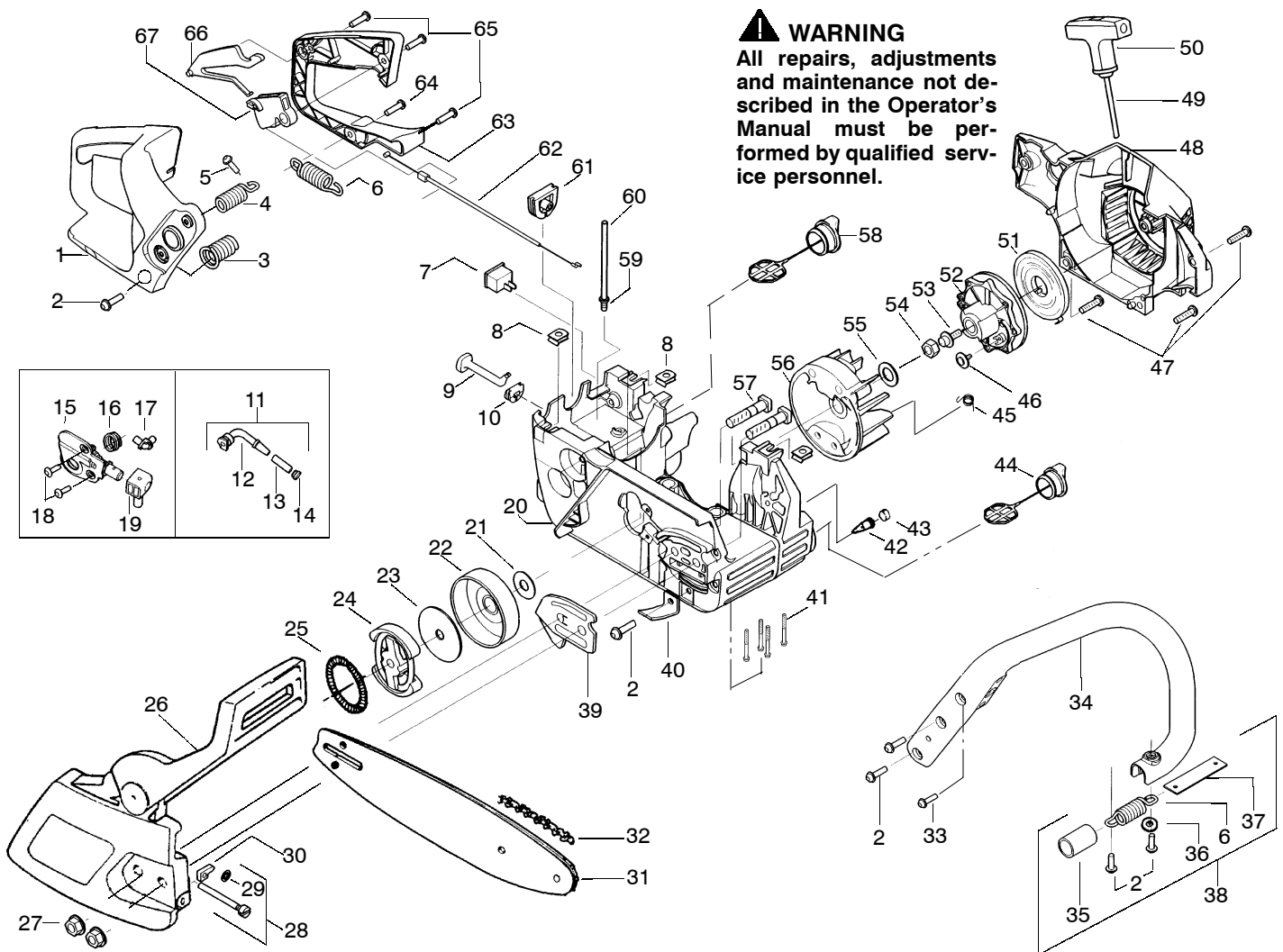


| | | |
|---|---------------------------------|----------------------------------|
| PARTS LIST NO. 530-088795 | | CHAIN SAW MODEL(S) 260 |
| DATE 10/02/00 | Replaces 530083735 - 8/07/00 | |
| Note: Illustration may differ from actual model due to design changes | | PAGE NO. 1 |



⚠ WARNING
 All repairs, adjustments and maintenance not described in the Operator's Manual must be performed by qualified service personnel.

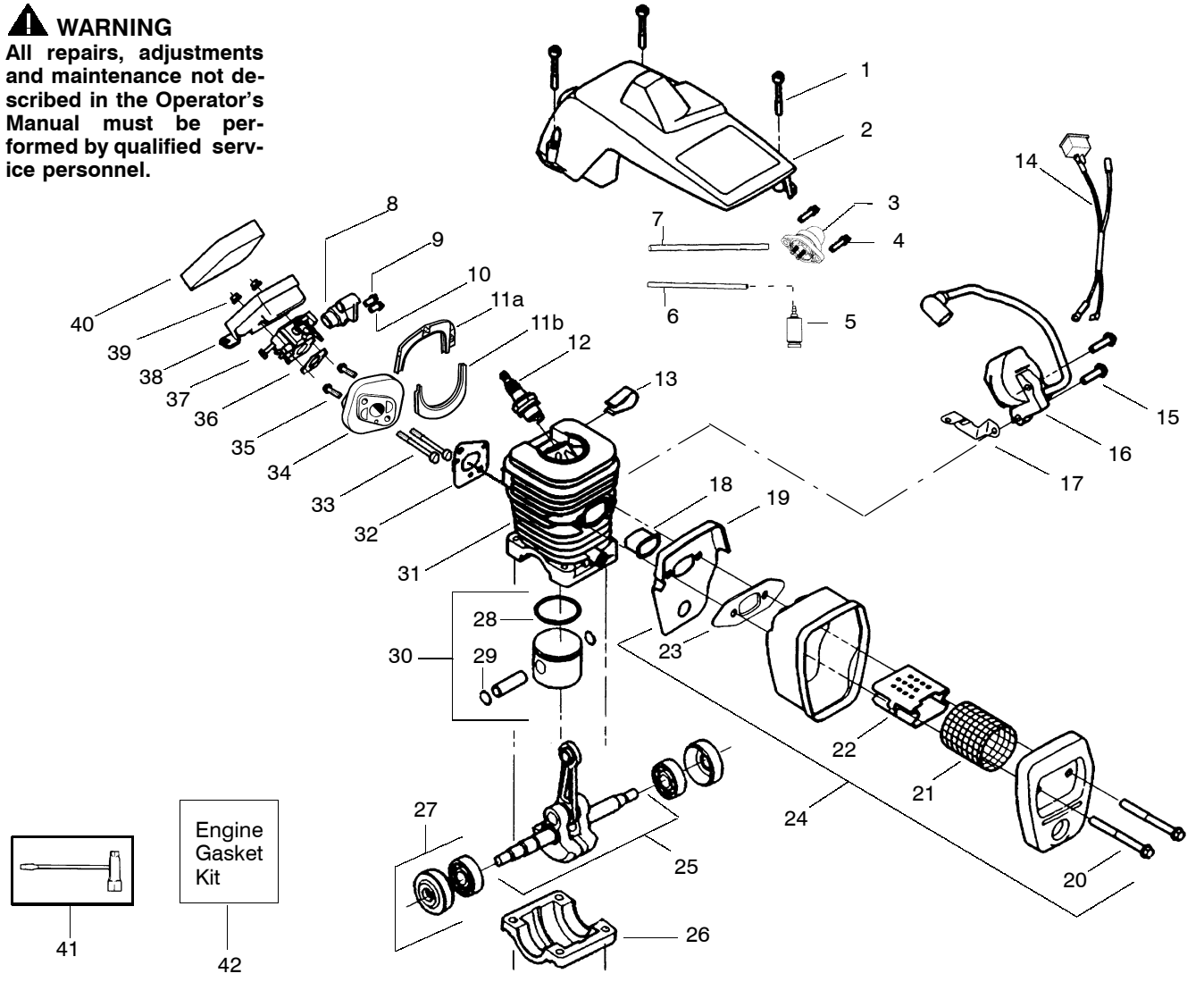
| Ref. | Part No. | Description | Ref. | Part No. | Description | Ref. | Part No. | Description |
|------|-----------|---|------|-----------|---------------------------|------|-----------|-----------------------|
| 1. | 530047582 | Rear Handle | 25. | 530094188 | Spring-Clutch | 45. | 530023817 | Spring-Starter Dog |
| 2. | 530015814 | Screw | 26. | ★★★★★ | Chain Brake Kit | 46. | 530016080 | Screw |
| 3. | 530053274 | Isolator Ass'y. (Lower) | | 530054999 | Quick Adjust | 47. | 530015892 | Screw |
| 4. | 530071385 | Isolator Kit (Upper) | | 530054739 | Standard | 48. | 530049335 | Fan Housing |
| 5. | 530015875 | Screw | 27. | 530015917 | Nut-Bar Mounting | 49. | 530069232 | Kit - Rope |
| 6. | 530042082 | Spring-Isolator | 28. | 530069611 | Kit-Bar Adjust (incl. 29) | 50. | 530049797 | Handle-Starter |
| 7. | 530069572 | Switch Kit | 29. | 530038593 | Retainer-Bar Adjust | 51. | 530027531 | Spring-Recoil |
| 8. | 530015922 | Nut-"U" Type | 30. | 530015826 | Pin-Bar Adjust | 52. | 530037817 | Pulley-Starter |
| 9. | 530047605 | Choke Knob | 31. | ★★★★★ | BAR | 53. | 530015920 | Screw |
| 10. | 530049005 | Grommet-Choke Knob | | 952044369 | Bar-16" | 54. | 530016134 | Nut-Flywheel |
| 11. | 530047663 | Oil Pick-up Ass'y (Incl. 12-14) | | 952044689 | Bar-18" | 55. | 530015127 | Washer-Flywheel |
| 12. | 530038373 | Pick-up Oiler | | 530044835 | Bar-18" Quick Adjust | 56. | ★★★★★ | Flywheel |
| 13. | 530037821 | Oil Filter | 32. | --- | Chain | | 530039209 | Walbro |
| 14. | 530030189 | Plug-Oil Filter | | 952051211 | 16" | ✓ | 530039186 | Phelon |
| 15. | 530071259 | Oil Pump Kit (Incls. 15,16,17,19) | | 952051338 | 18" | | 530016133 | Bolt-Bar |
| 16. | 530037820 | Gear-Worm Spring | 33. | 530016179 | Screw | 58. | 530047192 | Assy.-Fuel Cap |
| 17. | 530049477 | Elbow-Oil Pickup | 34. | 530047583 | Front Handle | 59. | 530023877 | Fitting-fuel line |
| 18. | 530016064 | Screw | 35. | 530036142 | Sleeve-AV Spring | 60. | 530069216 | Kit-Fuel line (large) |
| 19. | 530019206 | Seal Block | 36. | 530015123 | Washer | 61. | 530047631 | Grommet-Cable |
| 20. | 530047621 | Chassis Ass'y. (Incl. 44,45,46,59, 60,62 & from p.2, 5,6) | 37. | 530047608 | Limiter Strap | 62. | 530047602 | Cable - Throttle |
| 21. | 530015907 | Washer-Thrust | 38. | 530047963 | Assy.-Isolator | 63. | 530047581 | Cover-Rear Handle |
| 22. | 530047061 | Clutch Drum Ass'y. w/Bearing | 39. | 530038238 | Plate-Bar Mounting | 64. | 530015886 | Screw |
| 23. | 530015611 | Washer - Clutch | 40. | 530029850 | Chain Catcher | 65. | 530015906 | Screw |
| 24. | 530014949 | Assy. Clutch (incl.25) | 41. | 530016132 | Screw | 66. | 530036098 | Throttle Lockout |
| | | | 42. | 530026119 | Check Valve | 67. | 530036097 | Trigger-Throttle |
| | | | 43. | 530038264 | Plug-Bronze Vent | | | |
| | | | 44. | 530010846 | Assy.-Oil Cap | | | |

✓ = NEW PART NUMBER FOR THIS IPL ★ = REFER TO THE SERVICE REFERENCE INDICATED FOR MORE INFORMATION. (LOCATED AT END OF IPL)

= THESE PARTS ARE ILLUSTRATED FOR CLARITY. ORDER COMPLETE ASSEMBLY.

| | | |
|--|---------------------------------|----------------------------------|
| PARTS LIST NO. 530-088795 | | CHAIN SAW MODEL(S) 260 |
| DATE 10/02/00 | Replaces 530083735 - 8/07/00 | |
| Note: Illustration may differ from actual model due to design changes | | PAGE NO. 2 |

WARNING
 All repairs, adjustments and maintenance not described in the Operator's Manual must be performed by qualified service personnel.

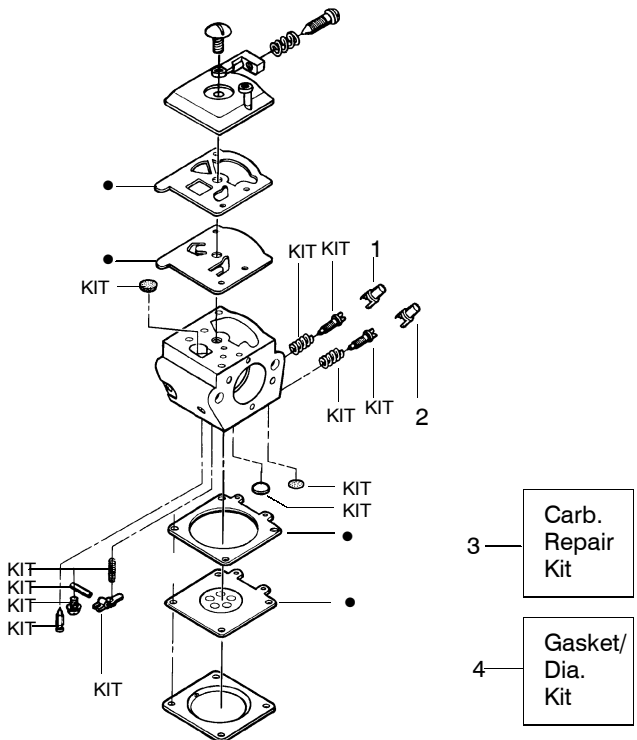


| Ref. | Part No. | Description | Ref. | Part No. | Description | Ref. | Part No. | Description |
|------|---------------------------------|---------------------------------------|------|-----------|--|--------------------------------------|-----------|------------------------------------|
| 1. | 530016153 | Screw | 17. | 530047442 | Ground Strap | 36. | 530019239 | Carb. Gasket |
| 2. | 530053183 | Cylinder Shield | 18. | 530037652 | Heat Insulator | 37. | 530069722 | Carburetor Kit (incl. 9 & 10) |
| 3. | 530047213 | Air Purge Ass'y. | 19. | 530049870 | Muffler Back Plate | 38. | 530047604 | Air Filter Housing |
| 4. | 530015780 | Screw | 20. | 530016132 | Screw | 39. | 530016101 | Nut |
| 5. | 530095646 | Fuel Pick-up Ass'y. | 21. | 530036103 | Spark Screen | 40. | 530037793 | Air Filter - Foam |
| 6. | 530069247 | Kit-Line Purge/Carb. (Small Dia) | 22. | 530037813 | Muffler Diffuser | 41. | 530031135 | Scrench |
| 7. | 530069216 | Kit-Line Purge/Tank (large line) | 23. | 530019221 | Muffler Gasket | 42. | 530069608 | Engine Gasket Kit (incl. 36,32,23) |
| 8. | 530049244 | Grommet-Carb Adjust. | 24. | 530047207 | Muffler Ass'y. (Incl. 19,20, 21,22,23) | Not Shown | | |
| 9. | 530038318 | Limiter Cap-High | 25. | 530047062 | Crankshaft Assy. | | | |
| 10. | 530038317 | Limiter Cap-Low | 26. | 530037935 | Cap-Crankcase | 530088740 530038257 | | |
| 11. | -- | Seal-Carb Adapter | 27. | 530047827 | Seal & Bearing Assy. | | | |
| | 530049715 | (A) Upper - Seal | 28. | 530038729 | Piston Ring | Operator Manual Instruction Decal | | |
| | 530049714 | (B) Lower - Seal | 29. | 530015697 | Retainer - Piston Pin | | | |
| 12. | 952030150 | Spark Plug (RCJ-7Y) | 30. | 530069719 | Piston Kit - (incl. 28-29) | | | |
| 13. | 530016136 | Clip-High Tension Lead | 31. | 530069720 | Cylinder Kit | | | |
| 14. | 530049117 | Wire Harness Ass'y. (includes switch) | 32. | 530019249 | Gasket - Carb. Adapter | | | |
| 15. | 530015814 | Screw | 33. | 530016187 | Screw | | | |
| 16. | ★★★★★ 530039198 530039167 | Ignition Module Walbro Phelon | 34. | 530069964 | Carb. Adapter Kit (incl. 11,2,36,32) | | | |
| | | | 35. | 530015810 | Screw | | | |

✓ = NEW PART NUMBER FOR THIS IPL * = REFER TO THE SERVICE REFERENCE INDICATED FOR MORE INFORMATION. (LOCATED AT END OF IPL)

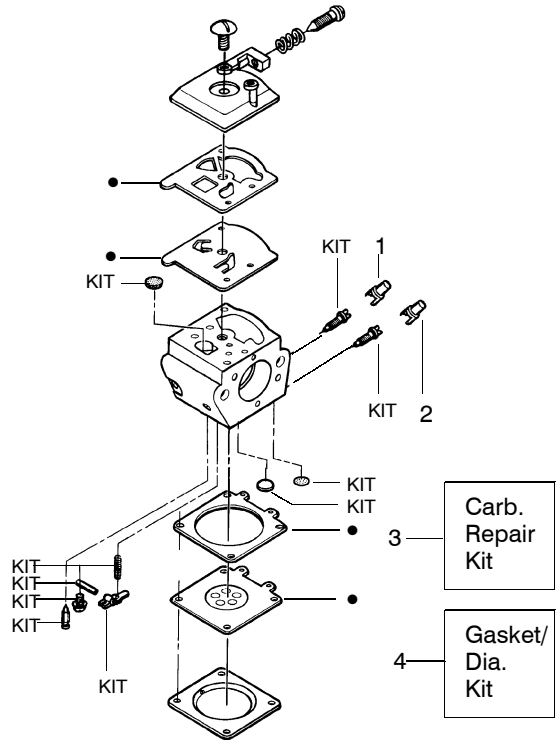
| | | |
|--|--|----------------------------------|
| PARTS LIST NO. 530-088795 | | CHAIN SAW MODEL(S) 260 |
| DATE 10/02/00 | Replaces 530083735 - 8/07/00 | |
| Note: Illustration may differ from actual model due to design changes | | PAGE NO. 3 |

Walbro
Carburetor Assembly
WT391 - #530069722



| Ref. | Part No. | Description |
|------|-----------|--|
| 1. | 530038318 | Limiter Cap-High |
| 2. | 530038317 | Limiter Cap-Low |
| 3. | - | Carburetor Repair Kit (KIT= Indicates Contents) |
| | 530069826 | Walbro (WT391) |
| 4. | - | Gasket Diaphragm Kit (● Indicates Contents) |
| | 530069844 | Walbro (WT391) |

Zama
Carburetor Assembly
C1Q-W9
See Service Reference



| Ref. | Part No. | Description |
|--|-----------|---|
| 1. | 530038318 | Limiter Cap-High |
| 2. | 530038317 | Limiter Cap-Low |
| 3. | - | Carburetor Repair Kit (KIT= Indicates Contents) |
| ✓ | 530071352 | Zama (GND-27) |
| 4. | - | Gasket Diaphragm Kit (● Indicates Contents) |
| ✓ | 530035270 | Zama (KSO31173) |
| Zama Carburetor Service Reference | | |
| ***** | | If replacing the complete Zama Carburetor, it is not serviceable; you will need to order #530069722 Walbro Carburetor Assy. |
| ***** | | Note: The contents of the 530-035270 Gasket/Diaphragm kit are included in the 530-071352 Carb. Repair kit. |

✓ = NEW PART NUMBER FOR THIS IPL * = REFER TO THE SERVICE REFERENCE INDICATED FOR MORE INFORMATION. (LOCATED AT END OF IPL)
 ● = THESE PARTS ARE ILLUSTRATED FOR CLARITY. ORDER COMPLETE ASSEMBLY.

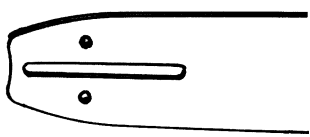
| | | |
|--|---------------------------------|----------------------------------|
| PARTS LIST NO. 530-088795 | | CHAIN SAW MODEL(S) 260 |
| DATE 10/02/00 | Replaces 530083735 - 8/07/00 | |
| Note: Illustration may differ from actual model due to design changes | | PAGE NO. 4 |

Walbro / Phelon Flywheel & Ignition Module Service Reference

***** When ordering a replacement flywheel or ignition module, please refer to the specific brand (Walbro or Phelon) and order accordingly.

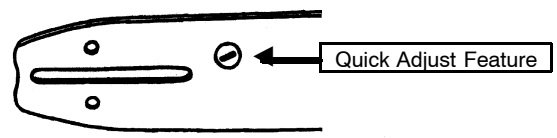
***** **Service Reference** *****

Standard Guide Bar



If your saw has the standard bar, order the **530054739** Chain Brake Assembly which includes the items #23,24 & 50 on page one.

Quick Adjust Guide Bar



If your saw has the quick adjust bar, order the **530054999** Chain Brake Assembly which **Does Not** include the items #23,24 & 50 on page one.