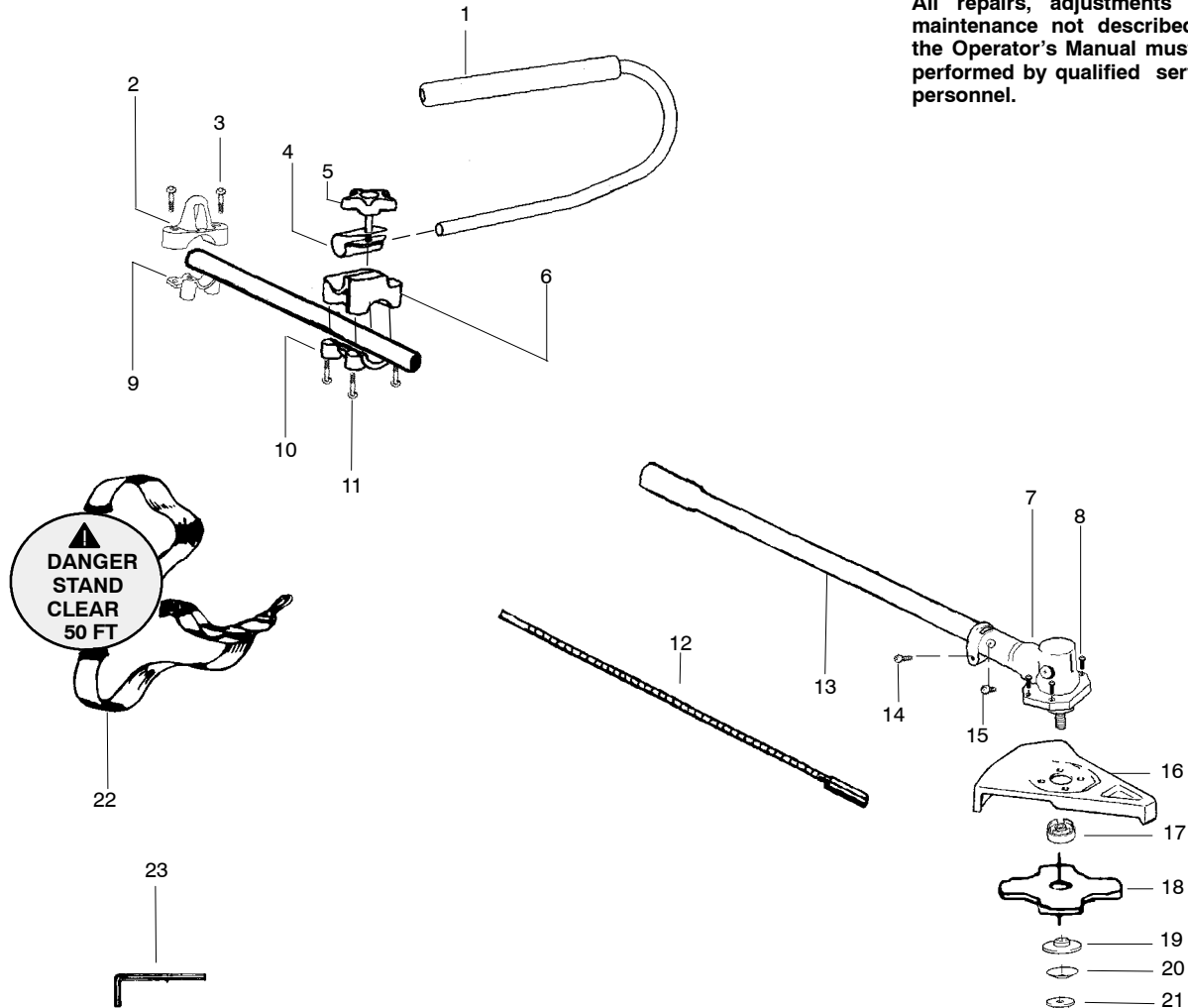


PARTS LIST NO. 530-088103		 SNAPPER PARTS LIST	MODEL(s) Snapper SNC31
DATE 5/20/03	Replaces 530088103 - 2/06/03		NOTE: Illustration may differ from actual model due to design changes



WARNING

All repairs, adjustments and maintenance not described in the Operator's Manual must be performed by qualified service personnel.



Ref.	Part No.	Description	Ref.	Part No.	Description
1.	530071394	Kit-Handlebar Assy. (incl. grip, cap, decal)	18.	952701611	Accy.-Weed Blade (8")
2.	530055392	Clamp-Harness Upper	19.	530095816	Washer-Blade Retaining
3.	530015770	Screw	20.	530016240	Washer-Belleville
4.	530095970	Clamp-Handlebar	21.	530015793	Nut-Flange
5.	530016336	Knob	22.	530094408	Assy-Shoulder Strap
6.	530095971	Base-Clamp	23.	530031159	Wrench-Hex (5/32")
7.	530071585	Assy-Gearbox			
8.	530016312	Screw			
9.	530055395	Clamp-Harness Lower			
10.	530071684	Kit-Clamp-Tube (incl. #11)	Not Shown		
11.	530015770	Screw			
12.	530096183	Flexshaft-Split boom		530163879	Manual
13.	530096002	Assy.-Driveshaft		530095894	Hanger-Attachment
14.	530016014	Screw		530056129	Decal-Shaft Warning
15.	530016224	Screw		530056335	Decal-Blade Direction
16.	530071383	Kit-Blade Shield			
17.	530095815	Dust cup - Blade			

✓ = NEW PART NUMBER FOR THIS IPL

★ = REFER TO THE SERVICE REFERENCE INDICATED FOR MORE INFORMATION. (LOCATED AT END OF IPL)