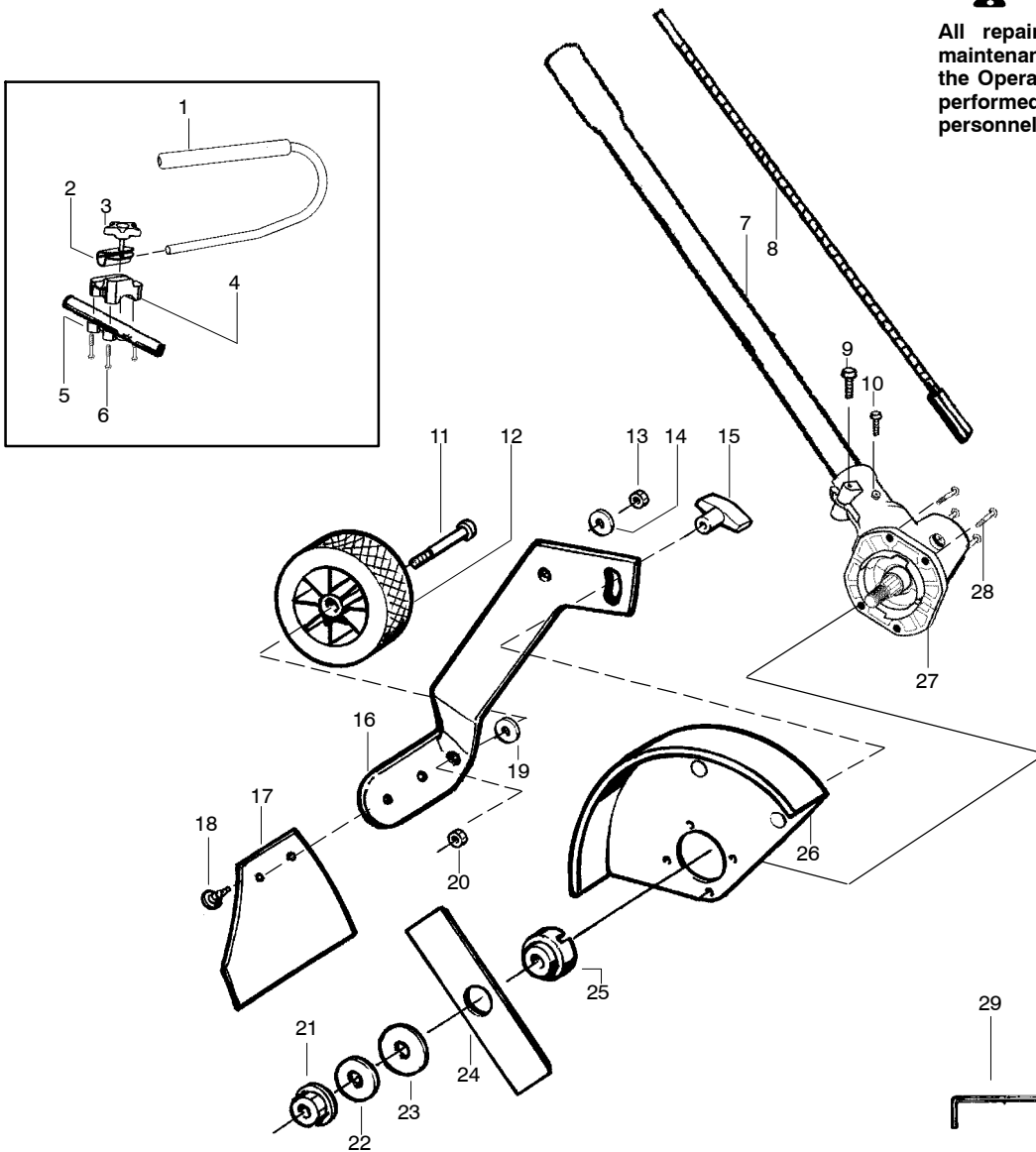


PARTS LIST NO. <b>530-088100</b>		 <b>SNAPPER</b> PARTS LIST	MODEL(s) Snapper SNE31
DATE <b>8/27/03</b>	Replaces 530088100 - 12/16/02		Note: Illustration may differ from actual model due to design changes

 **WARNING**

All repairs, adjustments and maintenance not described in the Operator's Manual must be performed by qualified service personnel.



Ref.	Part No.	Description	Ref.	Part No.	Description
1.	530071394	Kit- Handlebar (incl. grip, cap, decal)	18.	530053012	Fastener- Mud Flap
2.	530095970	Clamp- Handlebar	19.	530092062	Washer
3.	530016336	Knob	20.	530015515	Locknut
4.	530095971	Base- Clamp	21.	530015793	Nut- Flange (L.H.)
5.	530071684	Kit- Clamp- Tube (incl. #6)	22.	530016240	Washer- Belleville
6.	530015770	Screw	23.	530015792	Washer- Flat
7.	530096000	Assy.- Driveshaft	24.	530053007	Blade
8.	✓ 530096183	Flexshaft- Split boom	25.	530054623	Dustcup
9.	530016014	Screw	26.	530071384	Kit- Edger Guard
10.	✓ 530016224	Screw- Alignment	27.	530071586	Kit- Gearbox
11.	530015981	Bolt- Shoulder Axle	28.	530016312	Screw
12.	530095125	Wheel- 4" (rubber)	29.	530031159	Wrench- Hex (5/32")
13.	530015515	Locknut	Not Shown		
14.	530092062	Washer	530163556	Manual	
15.	530092059	Knob	530095894	Hanger- Attachment	
16.	530053009	Bracket- Adj. Wheel	530056125	Decal- Shaft Warning	
17.	530071251	Kit- Mud Flap (incl. #18)	530053138	Decal- Guard Warning	

✓ = NEW PART NUMBER FOR THIS IPL      ★ = REFER TO THE SERVICE REFERENCE INDICATED FOR MORE INFORMATION. (LOCATED AT END OF IPL)