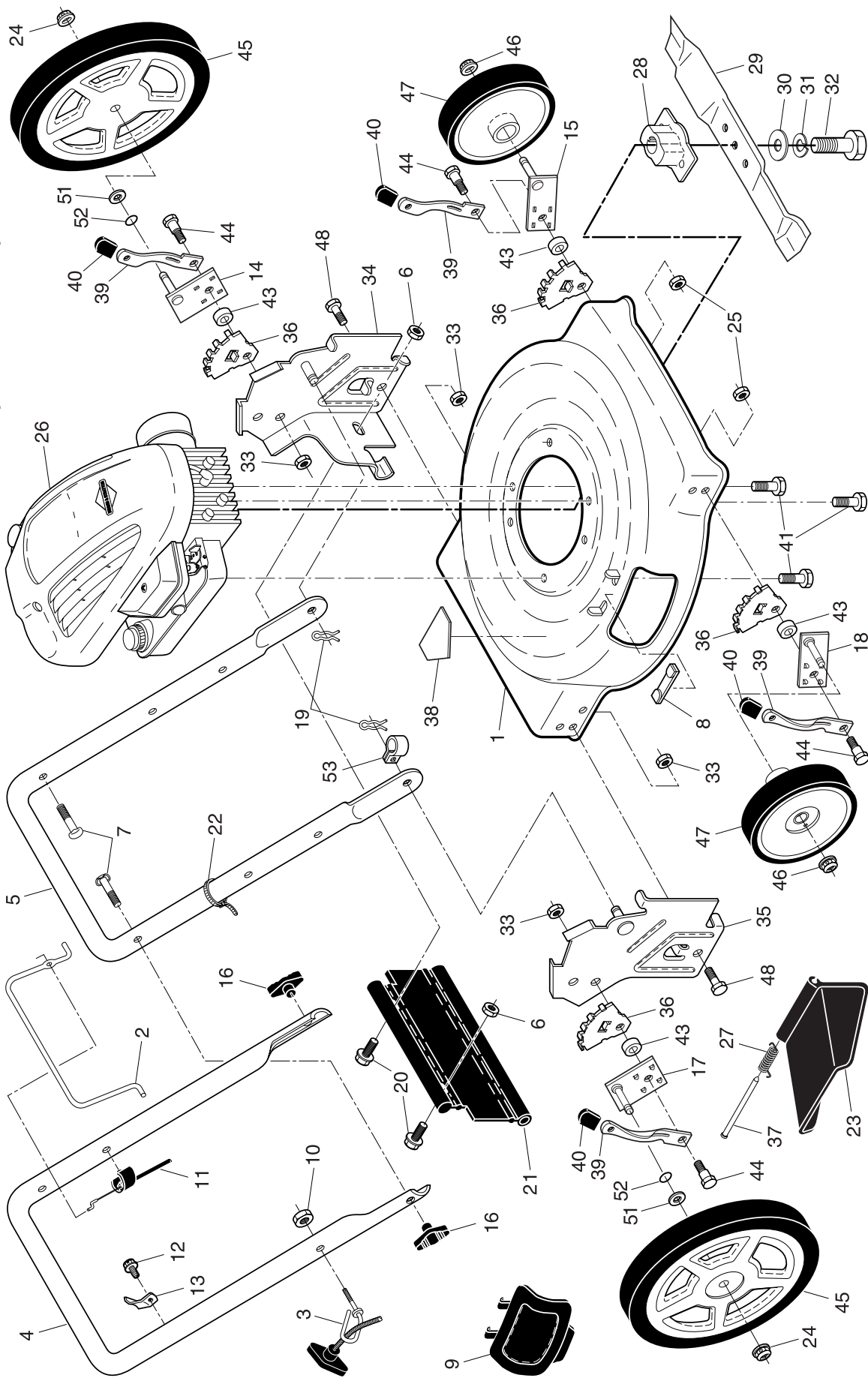


ROTARY LAWN MOWER -- MODEL NUMBER 225114X92E (225114X92E0)



ROTARY LAWN MOWER - - MODEL NUMBER 225114X92E (225114X92E0)

KEY PART NO. NO.	DESCRIPTION	KEY PART NO. NO.	DESCRIPTION
1	198204	27	193436 Torsion Spring
2	194177X428	28	851514 Blade Adapter
3	179585	29	141114 22" Blade
4	194179X479	30	851074 Hardened Washer
5	169708X479	31	850263 Helical Lockwasher 3/8
6	73800400	32	851084 Screw, Hex Head 3/8-24 x 1-3/8 (Grade 8)
7	191574	33	751153 Nut, Hex, Nylock 5/16-18
8	161622	34	196963X479 Handle Bracket, LH
9	160830	35	196962X479 Handle Bracket, RH
10	132004	36	160835X007 Wheel Bracket Adjuster
11	183281	37	160833 Hinge Rod
12	750634	38	85463 Danger Decal
13	86899X004	39	168360X004 Selector Spring
14	180409X004	40	87877 Selector Knob
15	186577X004	41	150406 Hex Head Thread Rolling Screw 3/8-16 x 1
16	189713X428	43	183901 Spacer
17	180410X004	44	160828 Shoulder Bolt 5/16-18
18	186578X004	45	193926X460 Wheel & Tire Assembly, Rear, 12"
19	51793	46	83923 Nut, Hex, Flangelock 3/8-16
20	74760412	47	193905X460 Wheel & Tire Assembly, Front, 8"
21	189008	48	74760514 Hex Head Bolt 5/16-18
22	66426	51	88348 Washer, Flat
23	160831	52	197480 O-Ring
24	145212	53	192770 Clip, Cable
25	166785	- -	161058 Warning Decal (not shown)
26	- - -	- -	198189 Owner's Manual

Engine, Briggs & Stratton, Model Number 10M902
 (For engine service and replacement parts,
 call Briggs & Stratton at 1-800-233-3723)

NOTE: All component dimensions given in U.S. inches. 1 inch = 25.4 mm. **IMPORTANT:** Use only Original Equipment Manufacturer (O.E.M.) replacement parts. Failure to do so could be hazardous, damage your lawn mower and void your warranty.