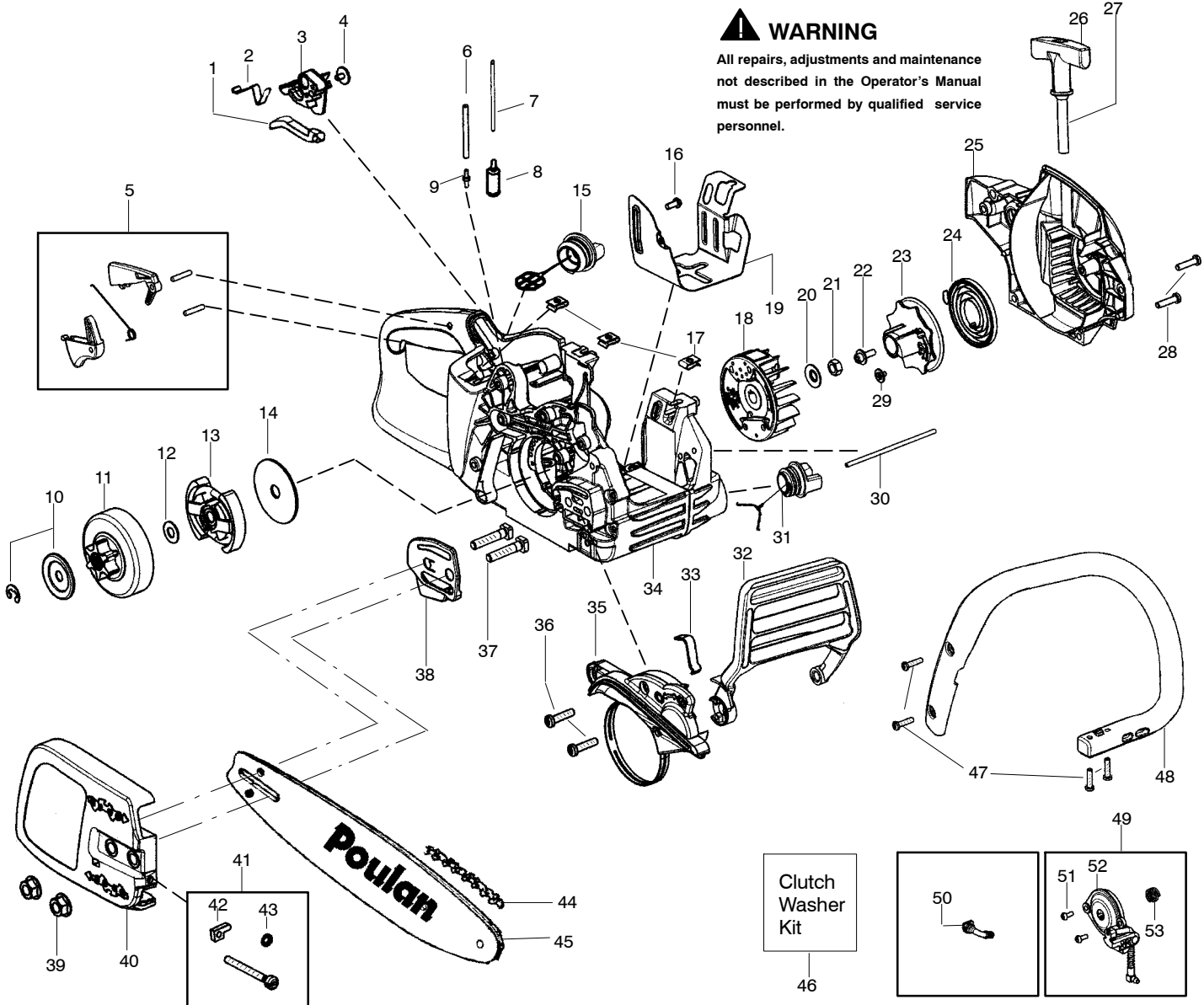


PARTS LIST NO. 530165092		Poulan® PARTS LIST	CHAIN SAW MODEL(S) Poulan S1970 "WoodShark"
DATE 3/3/05	Replaces 530165092 - 09/20/04		Note: Illustration may differ from actual model due to design changes

WARNING

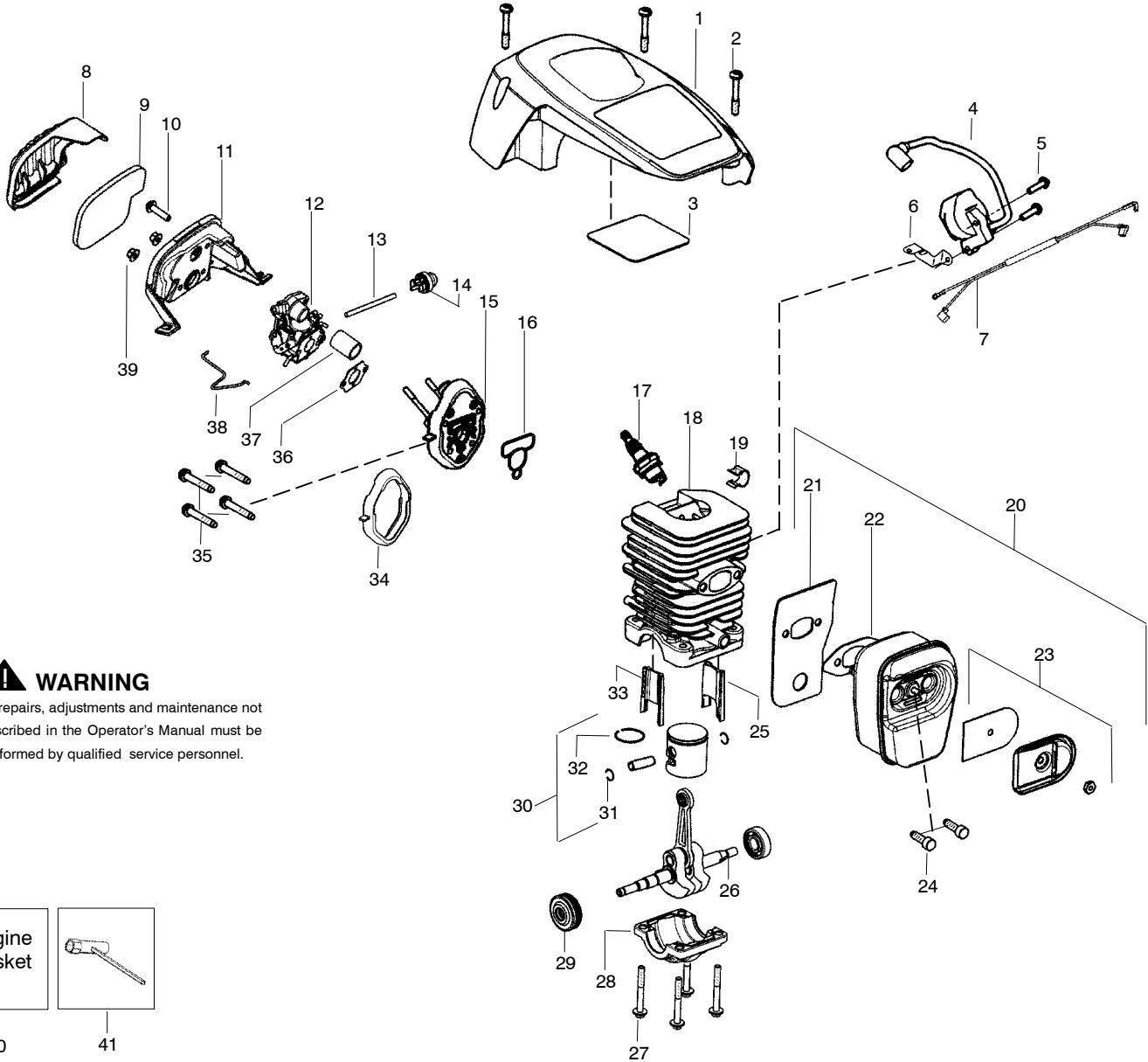
All repairs, adjustments and maintenance not described in the Operator's Manual must be performed by qualified service personnel.



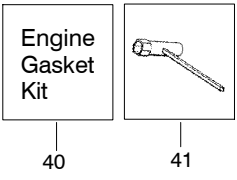
Ref.	Part No.	Description	Ref.	Part No.	Description	Ref.	Part No.	Description
1.	530057893	Knob-Choke	20.	530015127	Washer-Flywheel	40.	530057904-02	Assy-Clutch Cover (Incl. # 41)
2.	530057908	Spring-Ign. Switch	21.	530016134	Nut-Flywheel	41.	530069611	Kit-Bar Adjust (Incl. 42,43)
3.	530057891	Lever-Ign. Switch	22.	530015920	Screw	42.	530015826	Pin-Bar Adjust
4.	530016080	Screw	23.	530057890	Pulley-Starter	43.	530038593	Retainer-Bar Adjust
5.	530071888	Kit-Trigger/Lockout	24.	530042095	Spring-Starter	44.	952051209	Accy-14" Chain
6.	530069216	Kit-Fuel Line (Large)	25.	530057889-02	Housing-Fan	45.	952044368	Accy-14" Bar
7.	530069247	Kit-Fuel Line (Small)	26.	530037485	Handle-Starter	46.	530071945	Kit-Clutch Washer (Incl. 10,12)
8.	530095646	Assy-Fuel Pick Up	27.	530069232	Kit-Rope	47.	530016432	Screw
9.	530023877	Fitting-Fuel line	28.	530016432	Screw	48.	530057888	Handle-Front
10.	530071945	Kit-Clutch Washer	29.	530016080	Screw	49.	530071891	Kit-Oil Pump (Incl. 51,52,53)
11.	530057905	Assy-Clutch Drum 3/8"	30.	530058786	Assy-Oil Vent	50.	530057924	Assy-Oil Pick Up
12.	530071945	Kit-Clutch Washer	31.	530057236	Assy-Oil Cap w/ret.	51.	530016064	Screw
13.	530057907	Assy-Clutch	32.	530057897	Handguard	52.	530057931	Assy-Oil Pump
14.	530016419	Washer-Large Clutch	33.	530016416	Spring-Handguard	53.	530037820	Gear-Worm
15.	530047192	Assy-Fuel Cap w/ret	34.	530058863	Assy-Chassis (Incl. 5,6,7,8,9,15,16,17,19,31,33,37)			
16.	530016064	Screw	35.	530071893	Kit-Chainbrake			
17.	530015922	Nut-"U" type speed	36.	530016432	Screw			
18.	530057937	Assy-Flywheel	37.	530016133	Bolt-Bar			
19.	530057911	Shield-Heat	38.	530057910	Plate-Bar			
			39.	530015917	Nut-Bar			

✓ = NEW PART NUMBER FOR THIS IPL * = REFER TO THE SERVICE REFERENCE INDICATED FOR MORE INFORMATION. (LOCATED AT END OF IPL)

PARTS LIST NO. 530165092		Poulan® PARTS LIST	CHAIN SAW MODEL(S) Poulan S1970 "WoodShark"
DATE 3/3/05	Replaces 530165092 - 09/20/04		Note: Illustration may differ from actual model due to design changes



WARNING
All repairs, adjustments and maintenance not described in the Operator's Manual must be performed by qualified service personnel.



Ref.	Part No.	Description	Ref.	Part No.	Description	Ref.	Part No.	Description
1.	530057894-01	Shield-Cylinder	15.	530071889	Kit-Carb. Adaptor (Incl. # 16,34,37)	32.	530038729	Ring-Piston
2.	530016153	Screw	16.	530071894	Gasket-cyl. o-ring (kit)	33.	530057886	Insert-Right (gray) Cyl.
3.	530059006	Reflector-Tape	17.	952030150	Accy-Spark Plug (RCJ-7Y)	34.	530071894	Seal-Adaptor (kit)
4.	530039198	Module-Ignition Walbro EPS	18.	530071884	Kit-Cylinder (Incl. 25,33)	35.	530016426	Screw
5.	530016432	Screw	19.	530016136	Clip-High Tension Lead	36.	530071894	Gasket-Carb. (kit)
6.	530047442	Strap-Ground	20.	530071887	Kit-Muffler (Incl. 21-23,24)	37.	530057926	Tube-Intake
7.	530057943	Assy-Wire Harness	21.	530057942	Backplate-Muffler	38.	530057909	Wire-Throttle
8.	530058687	Cover-Air Filter	22.	530071894	Gasket-Muffler (kit)	39.	530016101	Nut-Carb.
9.	530057925	Filter-Air	23.	530071886	Kit-Spark Arrestor	40.	530071894	Kit-Gasket (Incl. 16,22,34,36)
10.	530016425	Screw	24.	530016338	Bolt-Muffler	41.	530031163	Wrench-Bar
11.	530057892	Housing-Air Filter	25.	530057885	Insert-Left (black) Cyl.			Not Shown
12.	---	Carburetor Zama X830	26.	530012537	Assy-Crankshaft/Rod Bolt	530164293		Manual-Operator
		Walbro WX5672	27.	530016417	Bolt	530059107		Decal-Warning
13.	530069247	Kit-Fuel Line (Small)	28.	530057941	Cap-Crankcase	530058840		Decal-Start/Stop Inst.
14.	530047721	Bulb-Purge "snap-in"	29.	530056363	Assy-Bearing/Seal			
			30.	530071883	Kit-Piston (Incl. 31,32)			
			31.	530015697	Retainer-Piston Pin			

✓ = NEW PART NUMBER FOR THIS IPL * = REFER TO THE SERVICE REFERENCE INDICATED FOR MORE INFORMATION. (LOCATED AT END OF IPL)