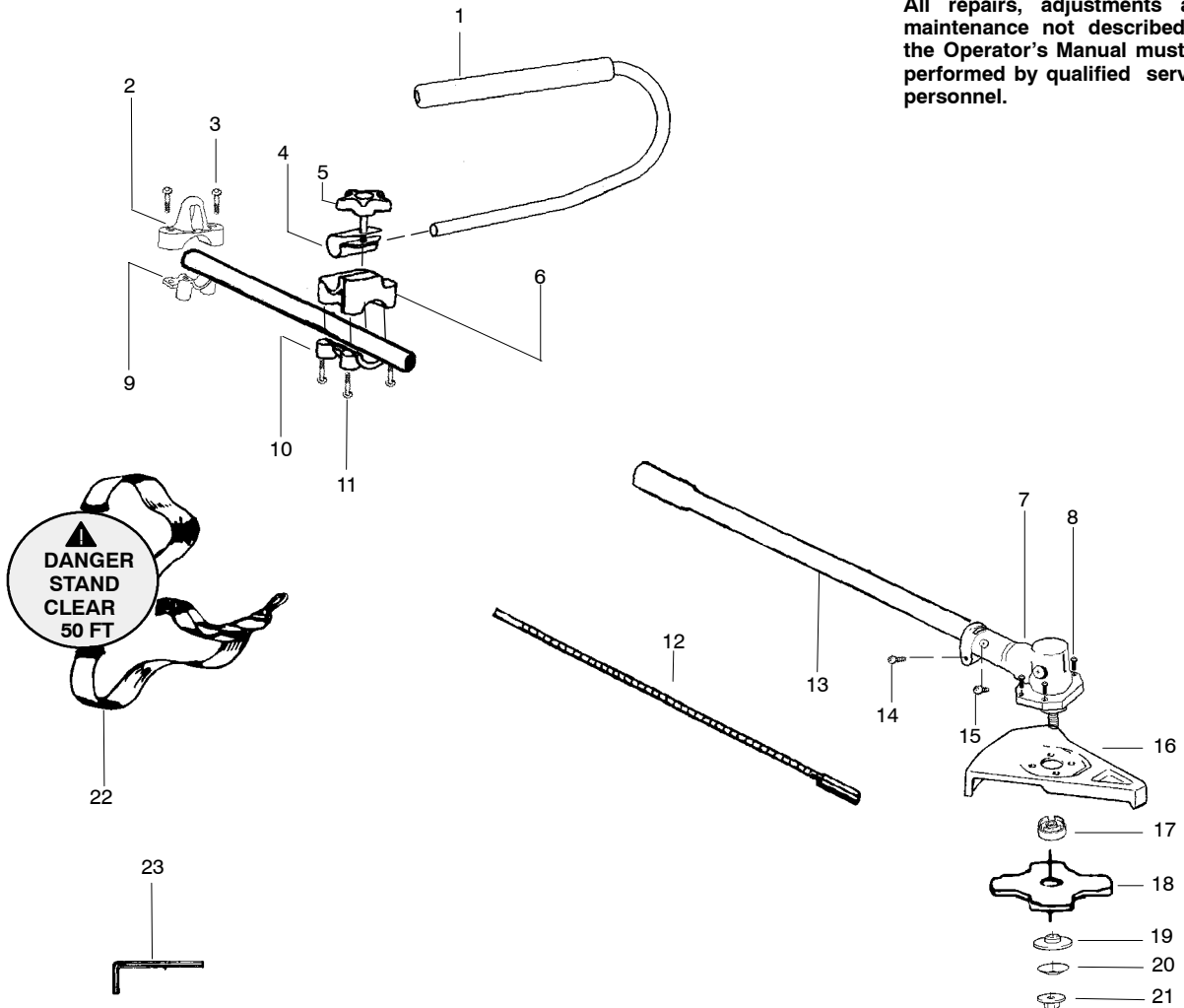


PARTS LIST NO. 530164715		UNIVERSAL PARTS LIST	MODEL(s) "U4000C"
DATE 3/18/04	Replaces 530164715 - 2/16/04		NOTE: Illustration may differ from actual model due to design changes

TYPE 1



WARNING
All repairs, adjustments and maintenance not described in the Operator's Manual must be performed by qualified service personnel.



Ref.	Part No.	Description	Ref.	Part No.	Description
1.	530071394	Kit-Handlebar (incl. grip,cap,decal)	18.	952701611	Accy-Weed Blade (8")
2.	530055392	Clamp-Harness Upper	19.	530095816	Washer-Blade Retaining
3.	530016406	Screw	20.	530016240	Washer-Belleville
4.	530095970	Clamp-Handlebar	21.	530015793	Nut-Flange
5.	530016336	Knob	22.	530094408	Assy-Shoulder Strap
6.	530095971	Base-Clamp	23.	530031159	Wrench-Hex (5/32")
7.	530071585	Assy-Gearbox			
8.	530016312	Screw			
9.	530055395	Clamp-Harness Lower			
10.	530071684	Kit-Clamp-Tube (incl. #11)	Not Shown		
11.	530016406	Screw			
12.	530096183	Flexshaft-Split boom		530164695	Manual
13.	530071851	Assy.-Driveshaft		530095894	Hanger-Attachment
14.	530016014	Screw		530059256	Decal-Shaft Warning
15.	530016224	Screw-Alignment		530056335	Decal-Blade Direction
16.	530071383	Kit-Blade Shield			
17.	530095815	Dust cup - Blade			

✓ = NEW PART NUMBER FOR THIS IPL

★ = REFER TO THE SERVICE REFERENCE INDICATED FOR MORE INFORMATION. (LOCATED AT END OF IPL)

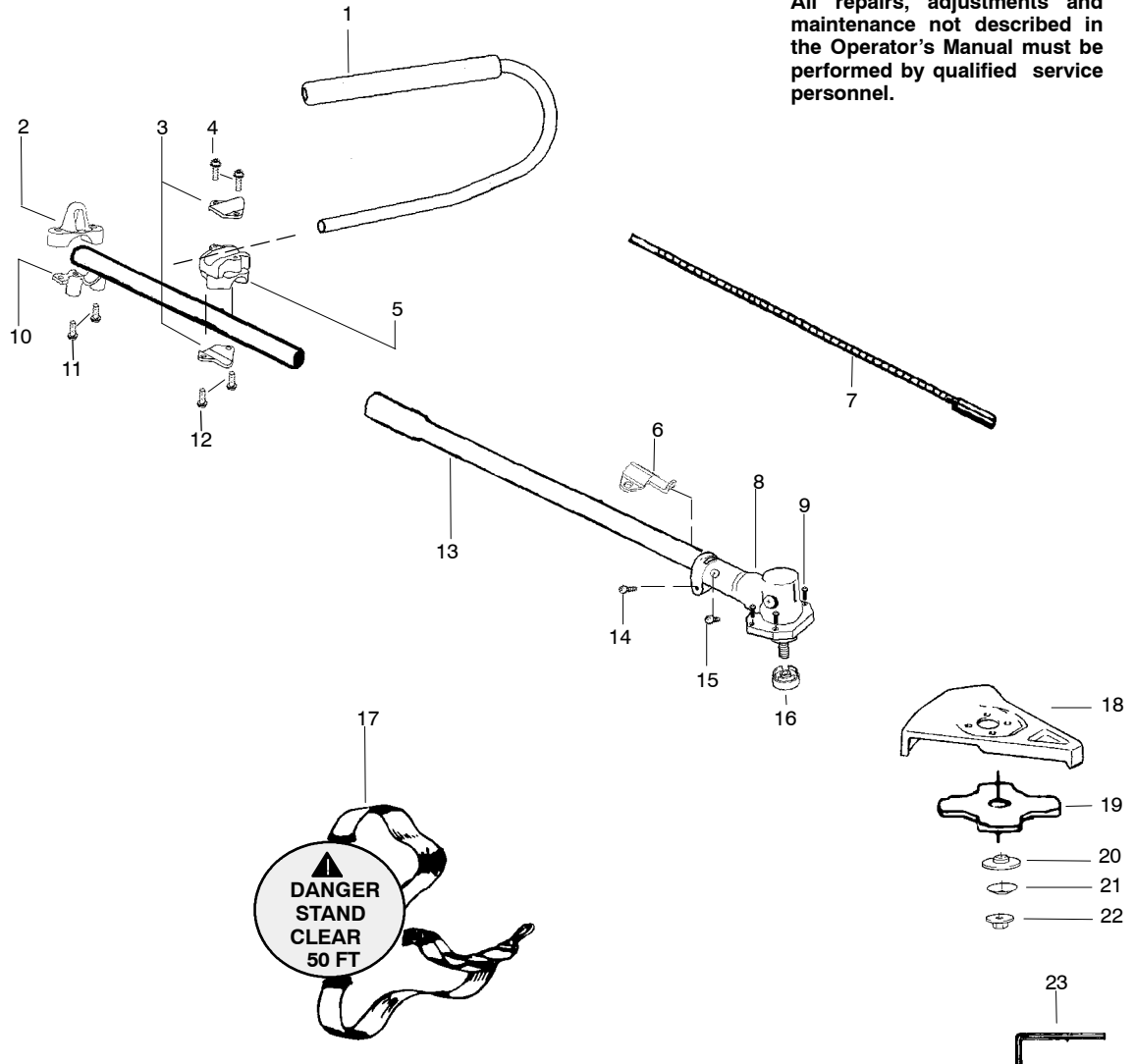
PARTS LIST NO. 530164715		UNIVERSAL PARTS LIST	MODEL(s) "U4000C"
DATE 3/18/04	Replaces 530164715 - 2/16/04		PAGE NO. 2
Note: Illustration may differ from actual model due to design changes			

TYPE 2



WARNING

All repairs, adjustments and maintenance not described in the Operator's Manual must be performed by qualified service personnel.



Ref.	Part No.	Description	Ref.	Part No.	Description
1.	530071394	Kit-Handlebar (incl. grip,cap,decal)	20.	530095816	Washer-Blade Retaining
2.	530055392	Clamp-Harness Upper	21.	530016240	Washer-Belleville
3.	530058563	Clamp-Bracket	22.	530015793	Nut-Flange
4.	530015886	Screw	23.	530031159	Wrench-Hex (5/32")
5.	---	Clamp-Handlebar			
	530058766	(7/8")			
	530058765	(1")			
6.	530095812	Bracket-Shield			
7.	530096183	Flexshaft-Split boom			
8.	530071585	Assy-Gearbox			
9.	530016312	Screw			
10.	530055395	Clamp-Harness Lower			
11.	530016406	Screw			
12.	530015886	Screw			
13.	530071862	Assy.-Driveshaft			
14.	530016014	Screw			
15.	530016224	Screw-Alignment			
16.	530095815	Dust cup - Blade			
17.	530094408	Assy-Shoulder Strap			
18.	530071383	Kit-Blade Shield			
19.	952701611	Accy.-Weed Blade (8")			
				Not Shown	
				530164393	Manual
				530095894	Hanger-Attachment
				530059673	Decal-Shaft Warning
				530056335	Decal-Blade Direction

✓ = NEW PART NUMBER FOR THIS IPL

★ = REFER TO THE SERVICE REFERENCE INDICATED FOR MORE INFORMATION. (LOCATED AT END OF IPL)

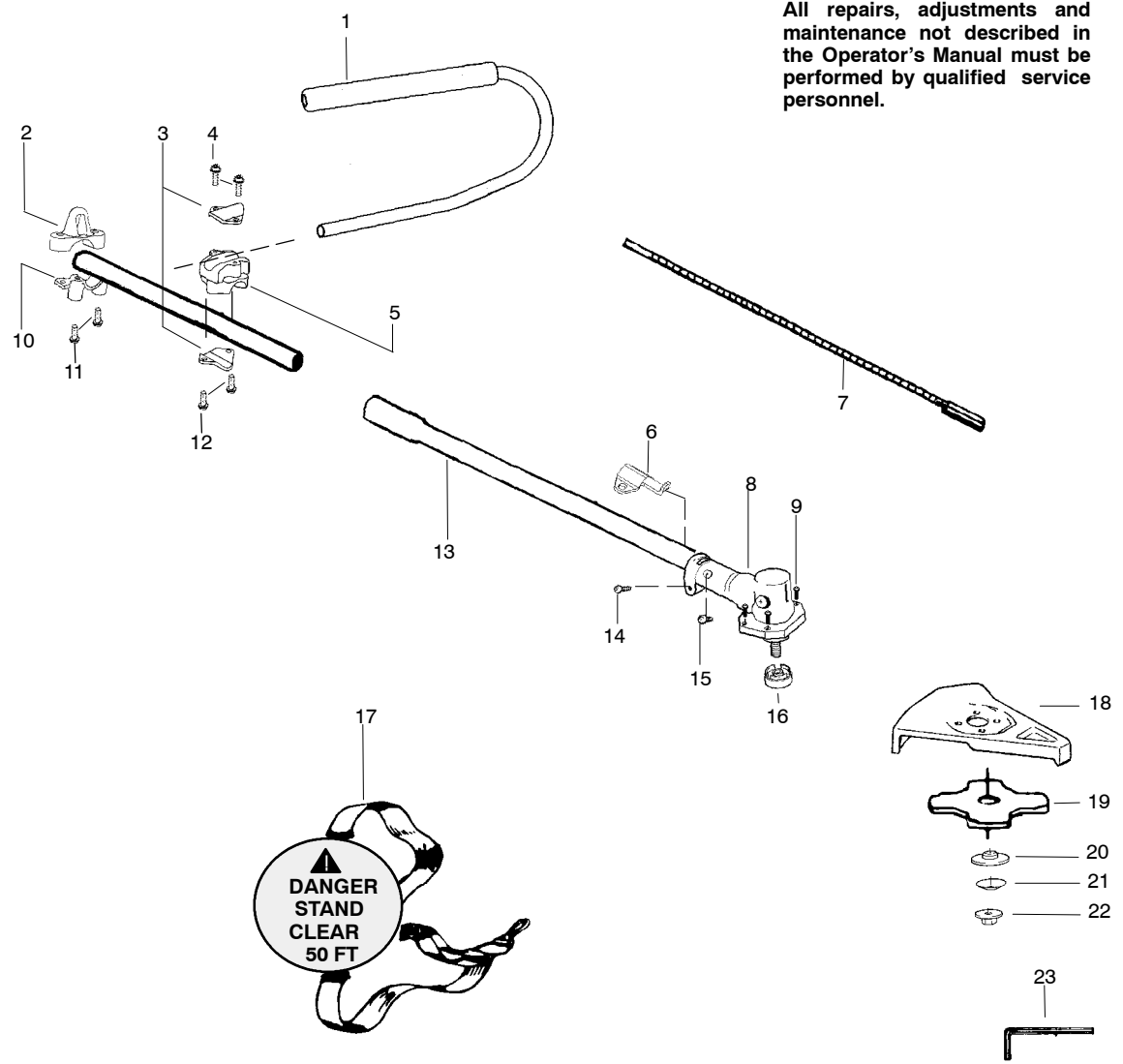
PARTS LIST NO. 530164715		UNIVERSAL PARTS LIST	MODEL(S) "U4000C"
DATE 3/18/04	Replaces 530164715 - 2/16/04		PAGE NO. 3
Note: Illustration may differ from actual model due to design changes			

TYPE 3



WARNING

All repairs, adjustments and maintenance not described in the Operator's Manual must be performed by qualified service personnel.



Ref.	Part No.	Description	Ref.	Part No.	Description
1.	530071394	Kit- Handlebar (incl. grip,cap,decal)	20.	530095816	Washer-Blade Retaining
2.	530055392	Clamp-Harness Upper	21.	530016240	Washer-Belleville
3.	530058563	Clamp-Bracket	22.	530015793	Nut-Flange
4.	530015886	Screw	23.	530031159	Wrench-Hex (5/32")
5.	---	Clamp-Handlebar (7/8") (1")			
6.	530095812	Bracket-Shield			
7.	530096183	Flexshaft-Split boom			
8.	530071585	Assy-Gearbox			
9.	530016312	Screw			
10.	530055395	Clamp-Harness Lower			
11.	530016406	Screw			
12.	530015886	Screw			
13.	530071910	Assy.-Driveshaft			
14.	530016014	Screw			
15.	530016224	Screw-Alignment			
16.	530095815	Dust cup - Blade			
17.	530094408	Assy-Shoulder Strap			
18.	530071383	Kit-Blade Shield			
19.	952701611	Accy.-Weed Blade (8")			
				Not Shown	
				530164393	Manual
				530095894	Hanger-Attachment
				530059835	Decal-Shaft Warning
				530056335	Decal-Blade Direction

✓ = NEW PART NUMBER FOR THIS IPL

* = REFER TO THE SERVICE REFERENCE INDICATED FOR MORE INFORMATION. (LOCATED AT END OF IPL)