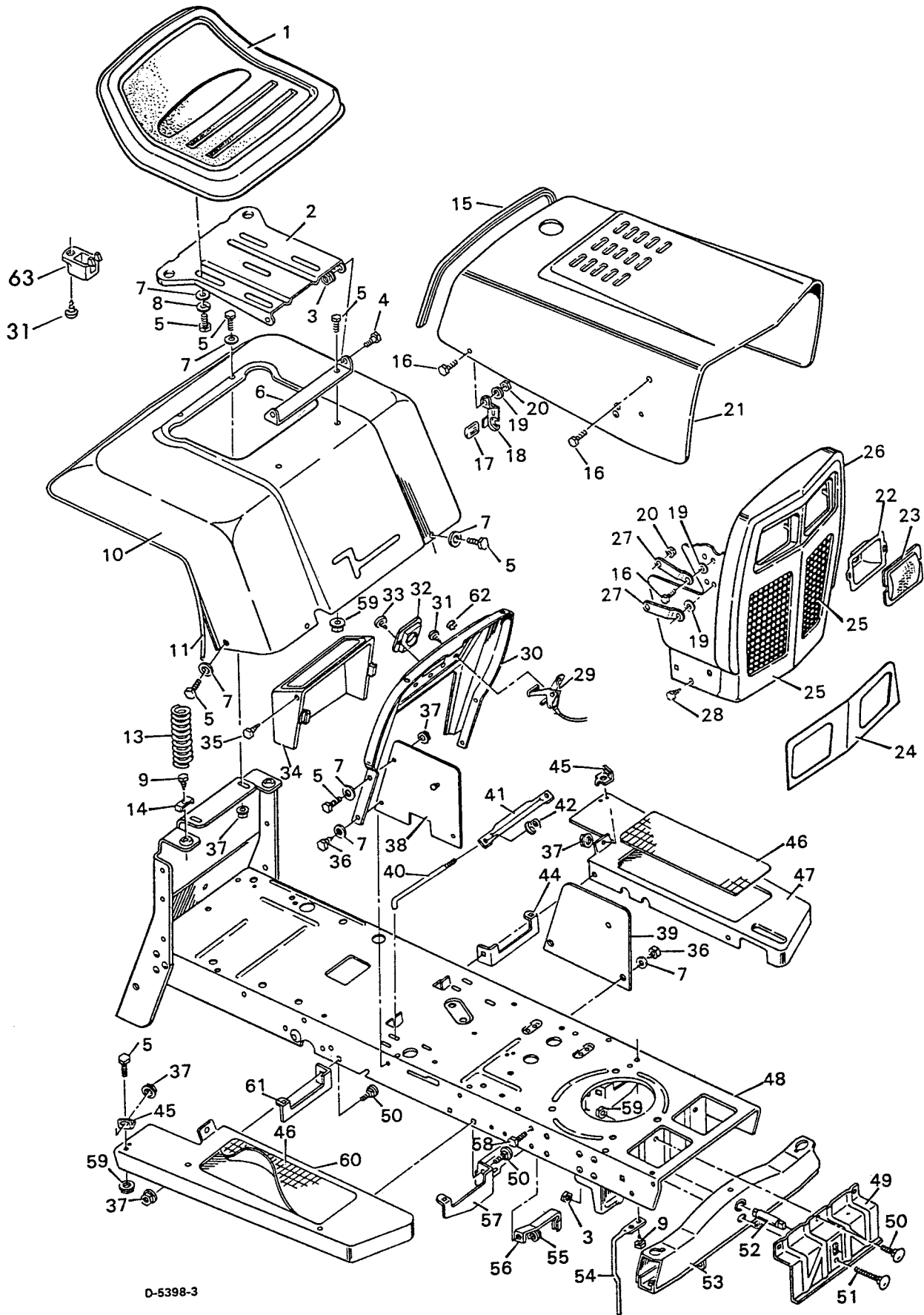


MODEL NO. 8-38219

CHASSIS & HOOD



**CHASSIS & HOOD****MODEL NO. 8-38219**

KEY NO.	DESCRIPTION	PART NO.	KEY NO.	DESCRIPTION	PART NO.
1	Seat	91450	37	Nut, Hex Flange 5/16"-18	15X79Z
2	Support, Seat	91044E	38	Plate Assembly, Right Side	23292E
3	Locknut, Flange 3/8"-16	15X84	39	Plate Assembly, Left Side	23293E
4	Bolt, Shoulder 3/8"-16X7/8"	9X17	40	Rod, Battery Clamp	21762Z
5	Bolt, Hex 5/16"-18X5/8"	1X45	41	Clamp, Battery	21761Z
6	Bracket, Seat Pivot	90031	42	Locknut, Hex Flange 1/4"-20	15X82
7	Washer	17X47Z	44	Bracket, Left Running Board	23391
8	Lockwasher	18X16	45	Bracket	23372
9	Screw	26X49	46	Mat, Running Board	21710
10	Deck, Seat	90659E	47	Board, Left Running	21935E
11	Trim, Plastic Seat Deck	21789	48	Channel, Frame	402056
13	Spring, Seat	164X17	49	Hanger, Front Axle	23829E
14	Retainer, Spring	90014	50	Bolt, Carriage 5/16"-18X5/8"	2X53
15	Trim, Vinyl Hood*	21765	51	Bolt, Carriage 3/8"-24X3/4"	2X60
16	Screw, Machine No. 10-24X5/8"*	4X21	52	Pin, Pivot	21469
17	Grip, Hood Latch*	21434	53	Axle Assembly, Front	21441E
18	Latch, Right Hood*	21798Z	54	Guide, Stack Pulley Belt	23789Z
--	Latch, Left Hood*	21799Z	55	Nut, Keps 1/4"-20	15X66
19	Washer*	17X17Z	56	Guide, Belt	23826Z
20	Nut, Hex No. 10-24*	15X81	57	Support, Front Running Board	24105
21	Hood Assembly, Complete (See note below)	24084E	58	Bolt, Hex 1/4"-20X5/8"	1X38
22	Reflector	90009C	59	Locknut, Hex Flange 5/16"-18	15X88
23	Lens	90082	60	Board, Right Running	23394E
24	Trim, Headlight	90654C	61	Bracket, Right Running Board	23390
25	Screen, Right Grille	24089E	62	Plug	91381
--	Screen, Left Grille	24254E	63	Seat Switch Cover	56062
26	Grille Assembly, Complete	90667E	--	Assembly Parts Bag	91579
27	Pivot Bar	23046	--	Instruction Book, Tractor	F-88710
28	Screw	26X202	--	Repair Parts Book	F-88711
29	Throttle Control	91582	--	Instruction Book, Mower Housing	F-88716
30	Control Panel	91580E	--	Decal Left Hood	58X837
31	Screw, Tap	26X159	--	Decal Right Hood	58X838
32	Bearing, Steering Post	21707	--	Decal Grille	58X834
33	Screw, Tap	26X186	--	Decal Seat Deck Left	43X259
34	Cover, Battery	23940	--	Decal Seat Deck Right	43X260
35	Screw, Tap	26X214			
36	Screw, Tap	26X197			

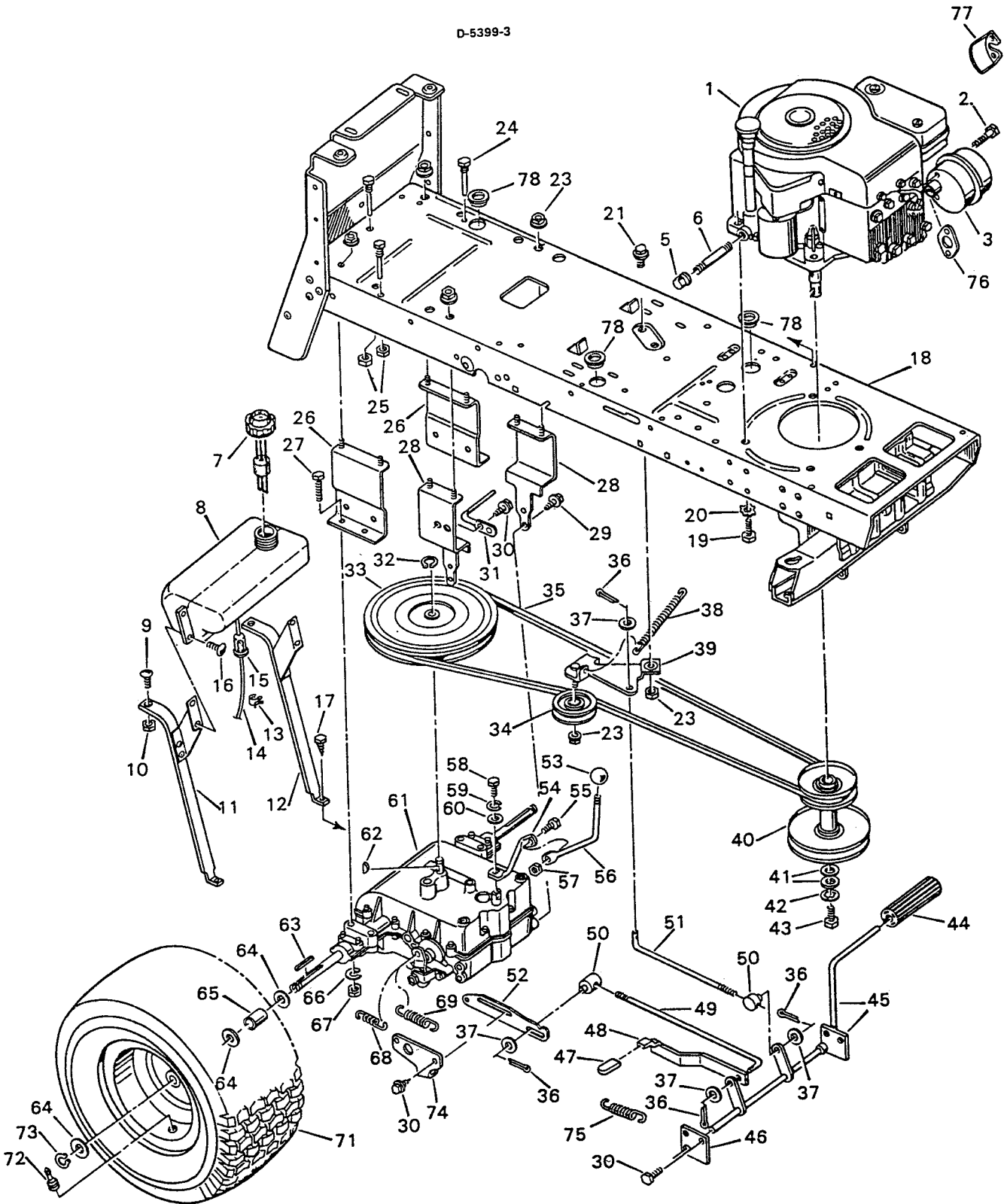
NOTE: Parts that have an asterisk (\*) in the description are included with key number 21.

—When ordering painted parts see page 3.

MODEL NO. 8-38219

DRIVE SYSTEM

D-5399-3



## DRIVE SYSTEM

## MODEL NO. 8-38219

KEY NO.	DESCRIPTION	PART NO.	KEY NO.	DESCRIPTION	PART NO.
1	Engine***	---	41	Washer	17X103
2	Bolt, Hex 5/16"-18X4 1/8"	1X134	42	Washer, Star	19X35
3	Muffler	91271	43	Bolt, Hex 7/16"-20X1"	1X80
5	Plug, Oil Drain	21651	44	Pedal, Clutch/Brake	21544
6	Extension, Oil Drain	24066	45	Lever Assembly, Clutch/Brake	91332E
7	Cap, Fuel	24064	46	Bracket, Support	23358
8	Tank, Fuel	23300	47	Grip, Parking Brake	24235
9	Bolt, Carriage 1/4"-20X3/4"	2X67	48	Parking Brake Arm	24201Z
10	Locknut, Hex Flange 1/4"-20	15X89	49	Rod, Brake	23375Z
11	Support, Right Fuel Tank	24334E	50	Nut, Adjusting	21920
12	Support, Left Fuel Tank	24335E	51	Rod, Clutch	24431Z
13	Clamp, Hose	91174	52	Plate, Brake Link	24425Z
--	Clamp, Hose	23713	53	Knob, Shift Lever	20739
14	Line, Fuel	90672	54	Shift Lever, Lower	23157Z
16	Screw, Tap 1/4"X1/2"	26X214	55	Bolt, Hex 5/16"-18X1"	1X84
17	Screw, Tap	26X197	56	Shift Lever, Upper	23720Z
18	Channel, Frame	402056	57	Locknut, Hex Flange 5/16"-18	15X88
19	Bolt, Engine Mount	25X6	58	Bolt, Hex 1/4"-28X5/8"	1X82
20	Washer, Star	19X8	59	Lockwasher	18X32
21	Bolt, Shoulder 3/8"-16X7/8"	9X15	60	Washer	17X37Z
23	Locknut, Hex Flange 3/8"-16	15X84	61	Transaxle** (Peerless No. 801-016A)	--
24	Guide Bolt	20619	62	Key No. 9, Woodruff	20697
25	Nut, Hex Flange 5/16"-18	15X79	63	Key, Square 3/16"-X2"	21553
26	Bracket, Rear Transaxle	23154E	64	Washer	17X160
27	Bolt, Hex 5/16"-18X2 3/8"	1X99	65	Tube, Rear Axle	87X63Z
28	Bracket, Front Transaxle	24036E	66	Lockwasher	18X15
29	Screw 5/16"X1"	26X207	67	Nut, Hex 5/16"-18	15X2
30	Screw, Tap 5/16"-X1/2"	26X49	68	Spring, Extension	165X20
31	Guide, Belt	24030Z	69	Spring, Extension	165X41
32	Ring, Retainer	11X7	70	Tire Only*	24430
33	Pulley, Drive	75073	71	Wheel Only	24351E
34	Idler Pulley, Backside	23339	72	Valve Stem & Cap	24373
35	Belt, Motion Drive	37X11	73	E-Ring	11X3
36	Pin, Cotter	30X20	74	Support, Link Plate	24426
37	Washer	17X53Z	75	Spring, Extension	165X58
38	Spring, Extension	165X17	76	Gasket	91309
39	Bracket Assembly, Idler	24035Z	77	Shield, Heat	91277
40	Pulley, Engine Stack	91557Z	78	Grommet	21268

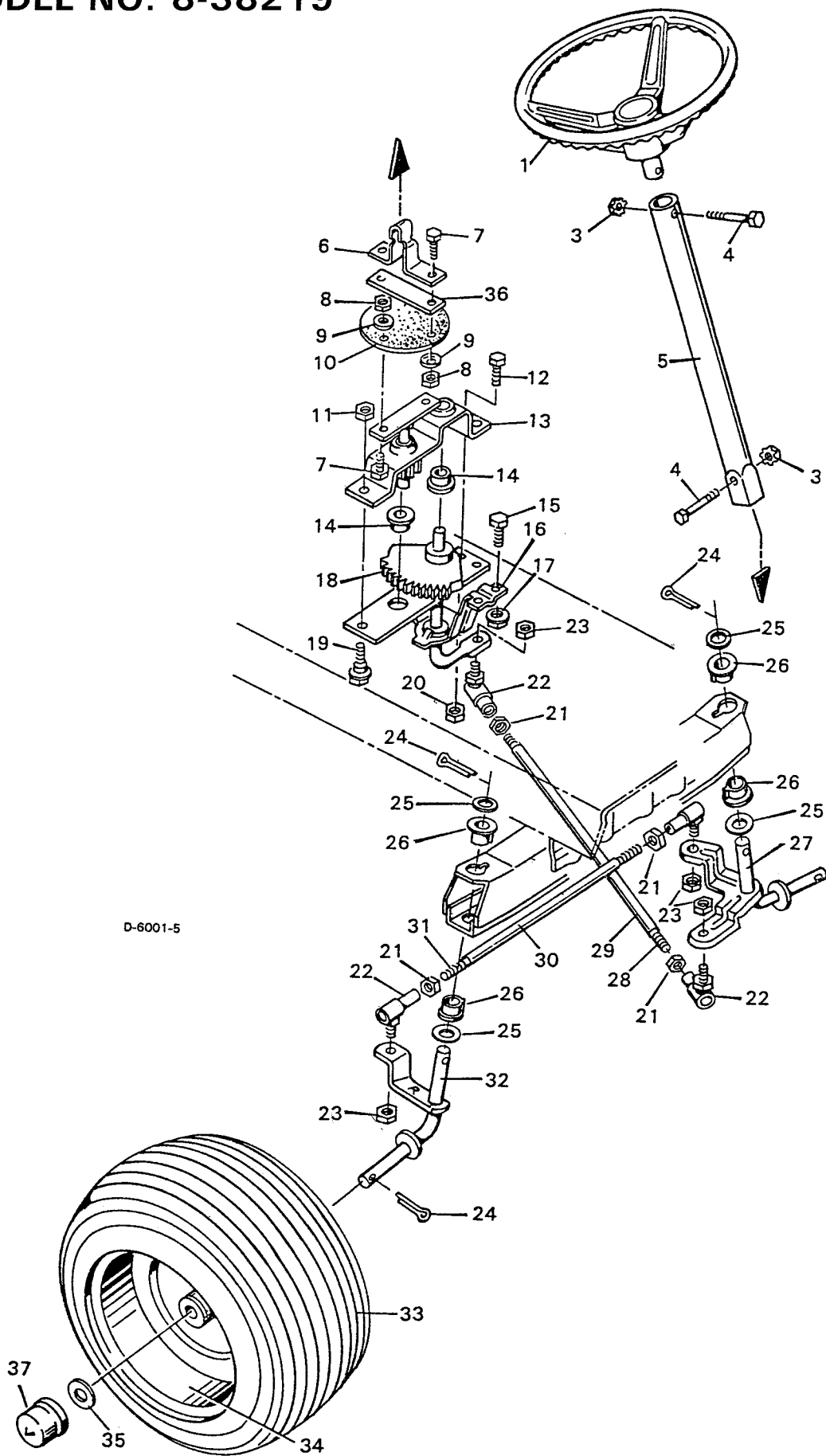
\*\*\*NOTE: The model, type, and code numbers of the engine are on the engine. All parts to the engine are available from a Briggs & Stratton Service Center. See the yellow pages under, "Engines, Gasoline" or "Gasoline Engines" in the telephone directory.

\*\*NOTE: Replacement parts for the transaxle are available from a Tecumseh Authorized Service Center. See the yellow pages under, "Engines, Gasoline" or "Gasoline Engines" in the telephone directory.

\*NOTE: For replacement parts, always give the name on the side of the tire so that the tread pattern will be the same.

MODEL NO. 8-38219

STEERING



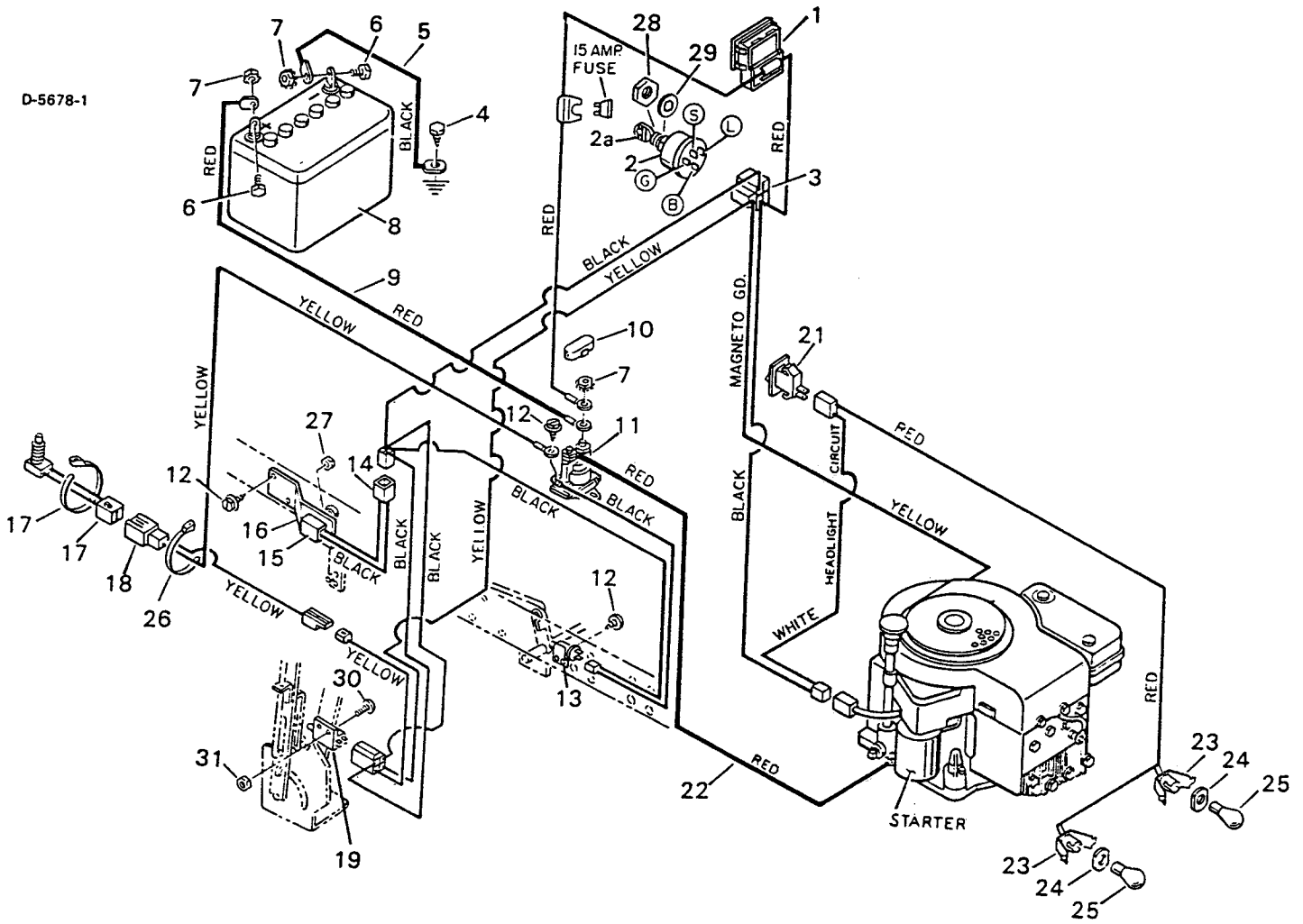
**STEERING****MODEL NO. 8-38219**

KEY NO.	DESCRIPTION	PART NO.
1	Steering Wheel	90577
3	Keps Nut 5/16"-18	15X76
4	Hex Bolt 5/16"-18X1-3/4"	1X75
5	Steering Post	24345C
6	Upper Steering Coupling	21489
7	Hex Bolt 1/4"-20X7/8"	1X95
8	Flange Locknut 1/4"-20	15X89
9	Formed Washer	23039
10	Steering Disc	21532
11	Flange Locknut 3/8"-16	15X84
12	Hex Bolt 5/16"-15X5/8"	1X45
13	Steering Gear Bracket Assembly	21492
14	Bearing	20587
15	Hex Bolt 5/16"-15X5/8"	1X45
16	Steering Bracket	21693
17	Flange Locknut 5/16"-18	15X79
18	Steering Gear Assembly	21692
19	Hex Bolt 3/8"-16X3/4"	1X85
20	Flange Locknut 5/16"-18	15X88
21	Hex Nut	15X61
22	Steering Ball Joint	21031
23	Flange Locknut 3/8"-24	15X87
24	Cotter Pin	30X49
25	Washer	17X83Z
26	Spindle Bearing	23820
27	Left Spindle Assembly	24229E
28	Drag Link Rod	21482
29	Sleeve, Drag Link Rod	156X2
30	Sleeve, Tie Rod	156X1
31	Tie Rod	21475
32	Right Spindle Assembly	24228E
33	Tire Only*	24376
34	Wheel Only	24488E
--	Valve Stem & Cap	24373
--	Wheel Bearing	91334
--	Tire Tube	407047
35	Washer	17X115
36	Coupling Plate	21490
37	Hub Cap-Optional	21662

\*NOTE: For replacement parts, always give the name on the side of the tire so that the tread pattern of the tires will match.

**MODEL NO. 8-38219**

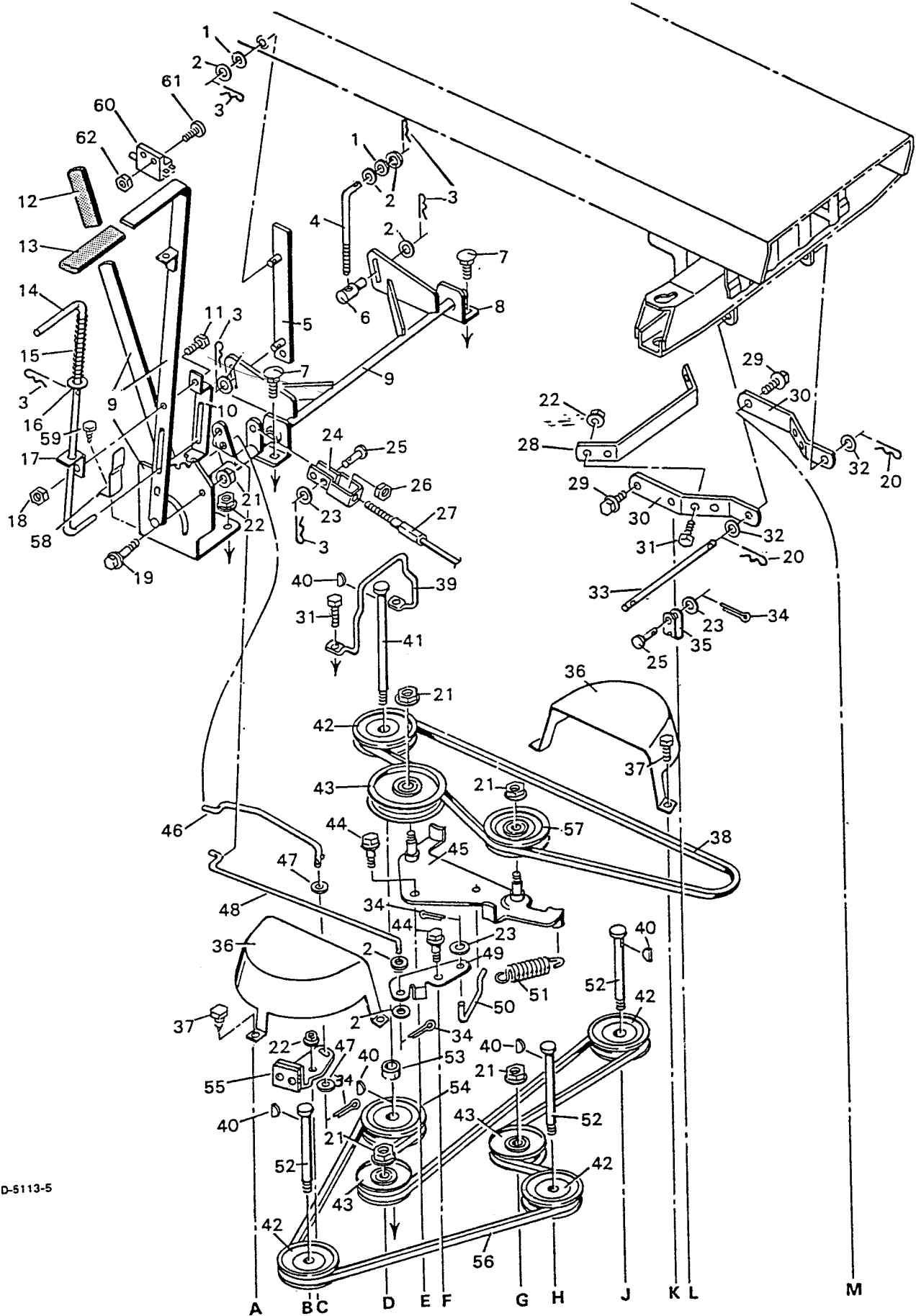
**WIRING DIAGRAM**



KEY NO.	DESCRIPTION	PART NO.	KEY NO.	DESCRIPTION	PART NO.
1	Ammeter Assembly	90829	16	Leaf Spring, Switch	91561
2	Switch, Ignition	21064	17	Switch, Seat Sensor	S91031
2a	Key Only	20729	18	Wire Harness-Seat Switch	250X10
--	Fuse, Auto Type	54212	19	Switch, Mower Housing	91299
--	Holder, Fuse	407078	21	Switch, Light	90647
3	Wire Harness	250X8	22	Cable (Solenoid to Engine)	24X12
4	Screw	26X49	23	Socket Assembly, Light	90155
5	Cable, Battery Ground	24X6	24	Washer, Light Socket	90228
6	Bolt, Hex 1/4"-20X5/8"	1X38	25	Bulb, Lamp	90084
7	Nut, Keps 1/4"-20	15X66	26	Strap, Tie	32618
8	Battery Type U1-9	21075	--	Clamp, Wire	21980
--	Acid, Battery (Electrolyte)	90665	27	Nut, Hex 3/8"-24	15X33
9	Cable, Battery (Solenoid to battery)	24X25	28	Nut, Hex	15X105
10	Cover, Solenoid	90565	29	Lockwasher	19X40
11	Solenoid	24285	30	Screw, Machine #10-24X5/8"	3X141
12	Screw, No. 10X1/2"	26X233	31	Nut, Hex #10-24	15X102
13	Switch, Clutch Limit	21549			
14	Switch, Attachment	91070			
15	Shield, Switch	91071			

# REPLACEMENT PARTS

# MOWER HOUSING TOP HALF



D-5113-5



## REPLACEMENT PARTS

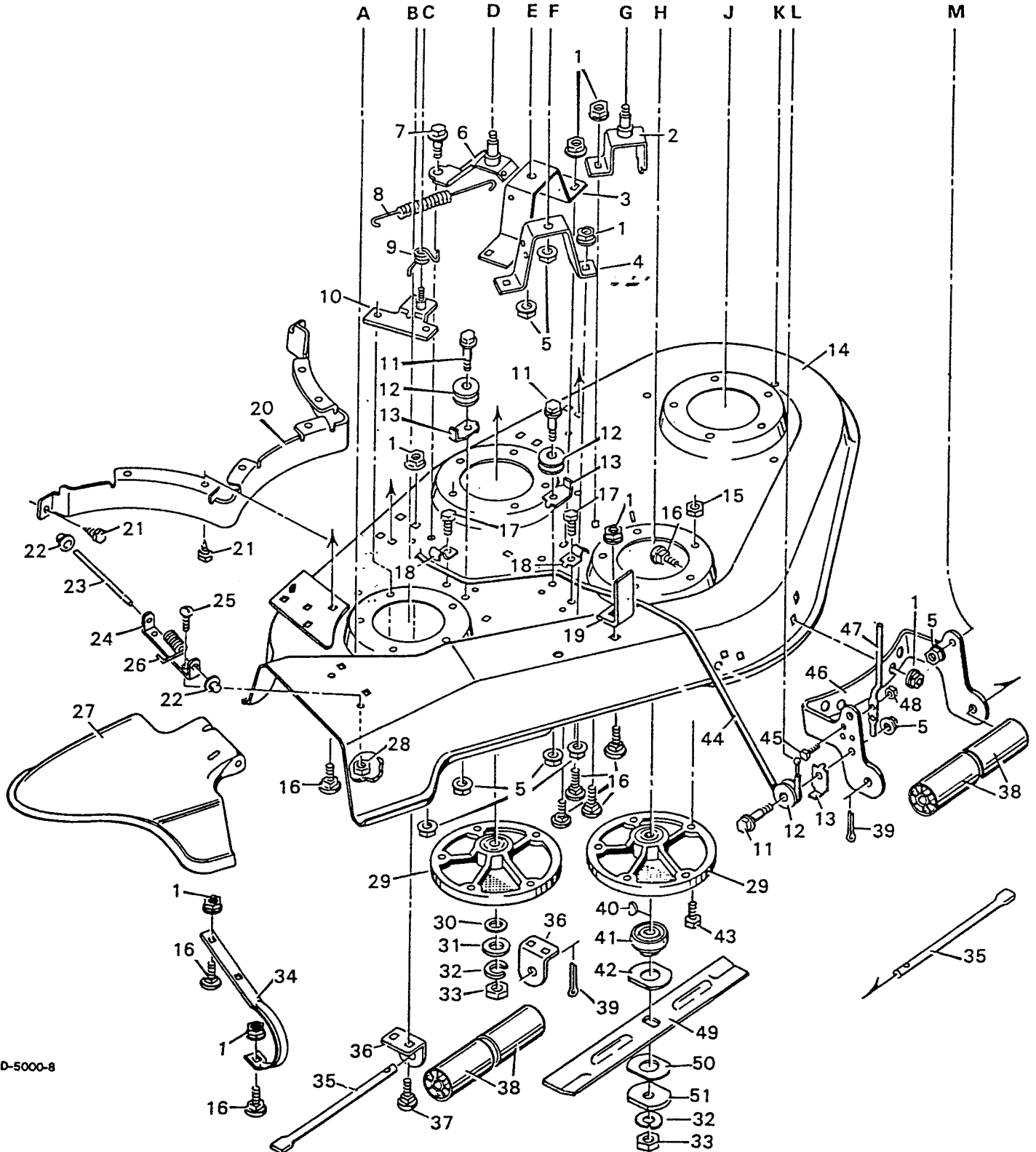
## MOWER HOUSING TOP HALF

KEY NO.	DESCRIPTION	PART NO.	KEY NO.	DESCRIPTION	PART NO.
1	Washer	10851Z	31	Bolt, Hex 5/16"-18X1"	1X84
2	Washer	17X124	32	Washer	17X57Z
3	Pin, Hair	31X2	33	Pin, Pul	21912Z
4	Rod, Adjuster 7-5/16" Long	23824	34	Pin, Cotter	30X20
--	For 23 inch Diameter Rear Wheels		35	Clevis	24073
4a	Rod, Adjuster 6-1/4" Long	23275Z	36	Cover, Pulley	23231
--	For 18" to 20" Dia. Rear Wheels		37	Screw, Tap	26X214
5	Bracket, Right Hanger 6-3/8" Long**	23204Z	38	Belt, Blade Drive	37X40
--	For 23 inch Diameter Rear Wheels		39	Guide Belt	23751Z
5a	Bracket, Right Hanger 5-1/2" Long**	23188Z	40	Key, Woodruff No. 6	20062
	For 18" to 20" Dia. Rear Wheels		41	Mandrel	23180
6	Nut, Adjustable	21920	42	Pulley, Mandrel	20615
7	Bolt, Carriage*	2X64	43	Pulley, Backside Idler	23238
8	Support, Lifter*	23184	44	Bolt, Shoulder 3/8"-16X7/8"	9X12
9	Lifter Assembly*	91482	45	Idler Assembly, Blade Drive	23179
10	Bracket, Guide	23192	46	Rod, Brake	91593Z
11	Bolt, Hex 1/4"-20X7/8"	1X95	47	Washer	17X46
12	Grip, Engagement Lever	91573	48	Rod Assembly, Link	23232Z
13	Grip, Lifter Latch	23222	49	Link, Engagement	23226Z
14	Latch, Lifter	23194	50	Rod, Engagement Link	23228Z
15	Spring, Lifter	164X4	51	Spring, Blade Drive	165X43
16	Washer	17X53	52	Mandrel, Short	20616
17	Bracket, Lifter Guide	23193	53	Spacer	23213Z
18	Nut, Keps 1/4"-20	15X66	54	Pulley, Mandrel	23739
19	Bolt, Shoulder 3/8"-16	9X13	55	Pad Assembly, Brake	91592
20	Pin, Hair	31X6	56	Belt, Cross Drive	37X22
21	Locknut, Flange 3/8"-16	15X84	57	Pulley, Idler	23211
22	Locknut, Flange 5/16"-18*	15X88	58	Spring, Actuator	91480
23	Washer	17X47Z	59	Screw	25X2
24	Clevis, Adjusting	24471Z	60	Switch, Limit	91299
25	Pin, Clevis	29X93	61	Screw, Machine #10-24X5/8"	3X141
26	Nut, Hex 5/16"-18	15X2	62	Nut, Hex #10-24	15X102
27	Cable, Lifter	24470	#	Parts Bag 42"	24451
28	Brace, Hanger	24472			
29	Shoulder	9X14			
30	Arm, Support	23185			

\*NOTE: Parts that have an asterisk (\*) in the description are included with Mower Housing Assembly on the Lower Half of the mower housing illustration.

\*\*NOTE: These parts are measured from weld pin to weld pin.

# REPLACEMENT PARTS MOWER HOUSING LOWER HALF



D-5000-8

## REPLACEMENT PARTS

## MOWER HOUSING LOWER HALF

KEY NO.	DESCRIPTION	PART NO.	KEY NO.	DESCRIPTION	PART NO.
1	Nut, Flange 5/16''-18*	15X79	26	Spring, Torsion	166X4
2	Idler Assembly, Fixed*	23177	27	Deflector, Mower Housing	23224
3	Support, Idler*	23240	28	Locknut, Hex No. 10-24*	15X81
4	Support, Engagement Link*	23241	29	Housing, Mandrel	24384
5	Locknut, Flange 3/8''-16	15X84	30	Washer	17X140
6	Idler Assembly, Cross Drive	23178Z	31	Washer	17X141
7	Bolt, Shoulder 3/8''-16X7/8''	9X15	32	Lockwasher	18X27
8	Spring, Cross Drive	165X60	33	Nut, Hex 1/2''-20	15X72
9	Spring, Blade Brake Torsion	166X29	34	Skid*	24070
10	Bracket & Pin Assembly	91591Z	35	Axle, Roller	23186Z
11	Bolt, Shoulder 3/8''-16	9X13	36	Shoulder, Rear Roller*	23208
12	Pulley, Nylon	23187	37	Bolt, Carriage 5/16''-18X2-5/8''*	2X53
13	Guide, Cable	23191Z	38	Roller	23203
14	Housing Assembly, Mower	91483	39	Pin, Cotter	30X49
15	Locknut, Flange 5/16''-18*	15X88	40	Key, Woodruff No. 6	20062
16	Bolt, Carriage 5/16''-18X3/4''*	2X64	41	Adapter, Blade	54211
17	Screw, Tap	26X214	42	Washer	24614Z
18	Guide, Cable	21953Z	43	Bolt, Hex 5/16''-18X3/4''	1X84
19	Deck Stop*	23782	44	Cable, Lifter	24470
20	Baffle, Mower Housing*	23207	45	Bolt, Hex 1/4''-20X7/8''	1X95
21	Screw	26X195	46	Support, Front Roller*	24009
22	Cap, Push On	28X23	47	Guide, Curved Belt	24071
23	Rod, Deflector	23173Z	48	Locknut, Flange 1/4''-20	15X89
24	Bracket, Deflector*	23172	49	Blade (3 required)	24458HT
25	Screw, Machine No. 10-24X5/8''*	4X21	50	Washer	21673Z
			51	Washer, Blade	20663Z
			--	Housing Complete, Mower	403134

\*NOTE: Parts that have an asterisk (\*) in the description are included with Mower Housing Complete (Top & Lower Halves).