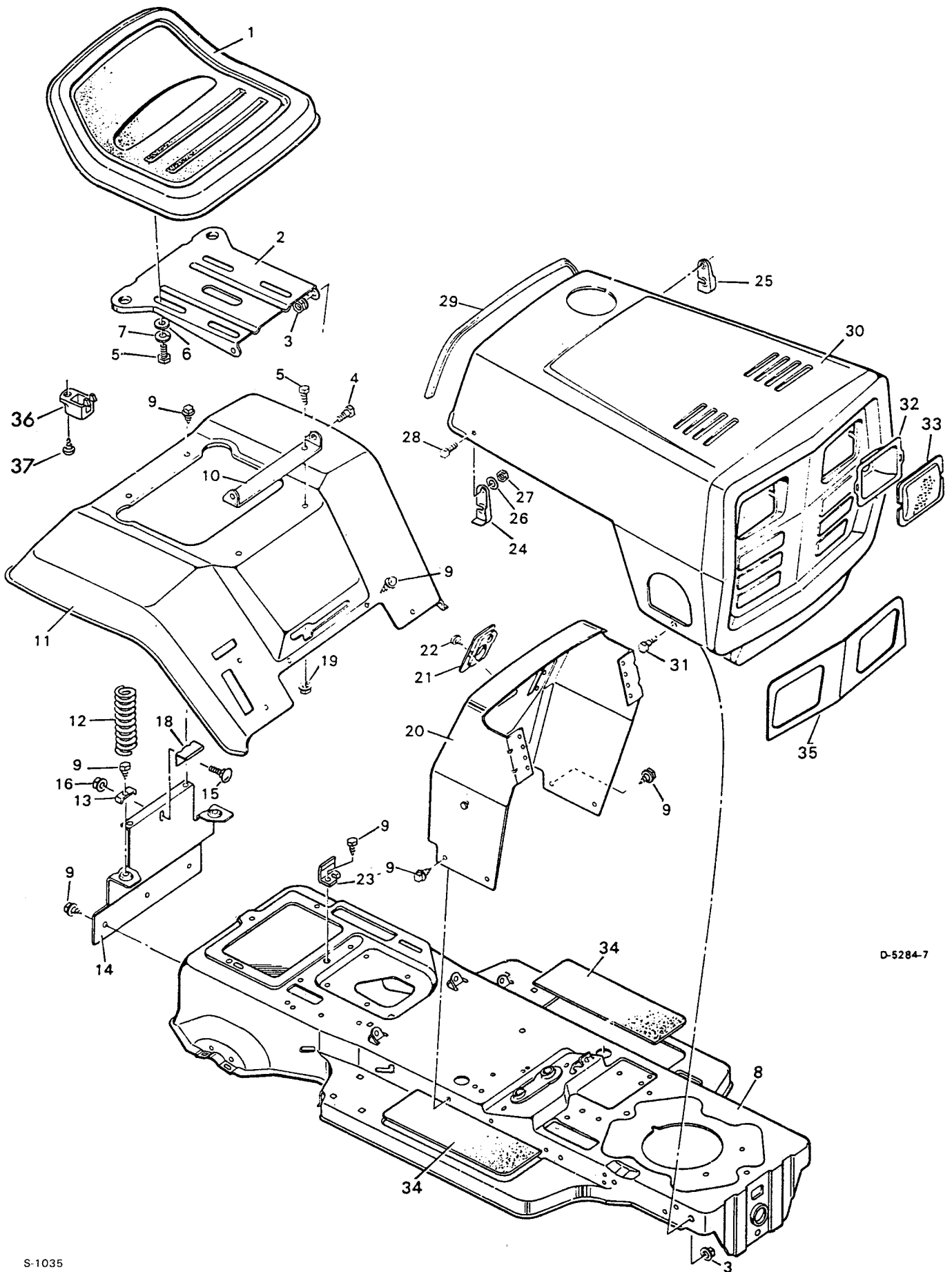


MODEL NO. 8-36557

CHASSIS & HOOD



D-5284-7

CHASSIS & HOOD**MODEL NO. 8-36557**

KEY NO.	DESCRIPTION	PART NO.
1	Seat	91450
2	Support, Seat	91044E
3	Locknut, Flange 3/8''-16	15X84
4	Bolt, Shoulder 3/8''-16X5/8''	9X17
5	Bolt, Hex 5/16''-18X5/8''	1X45
6	Washer	17X47Z
7	Lockwasher	18X16
8	Frame Channel	90001E
9	Screw	26X49
10	Bracket, Seat Pivot	90031E
11	Seat Deck	90186E
12	Spring	164X17E
13	Spring Retainer	90014
14	Support, Seat Deck	90633E
15	Bolt, Carriage	2X53Z
16	Locknut 5/16''-18	15X76
18	Battery Clamp	90632Z
19	Locknut, Flange 5/16''-18	15X88
20	Dashboard Assembly	90737E
21	Bearing, Steering Post	90081
22	Screw	26X186
23	Battery Clip	55149E
24	Latch, Right Hood*	90464Z
25	Latch, Left Hood*	90465Z
26	Washer*	17X17
27	Hex Nut #10-24*	15X81
28	Machine Screw #10-24X1/2''*	4X20Z
29	Edge Trim*	90240
30	Hood & Grille Assembly	91119E
31	Bolt, Shoulder 3/8''-16X7/8''	9X14Z
32	Reflector, Headlight	90009C
33	Lens, Headlight	90082
34	Mat	90148
35	Trim, Headlight	90159C
36	Seat Switch Cover	56062
37	Screw	26X159
--	Assembly Parts Bag	90920
--	Instruction Book	F-88706
--	Repair Parts Book	F-88707
--	Decal Left Hood	58X841
--	Decal Right Hood	58X842
--	Decal Grille	58X845
--	Decal Left Seat Deck	43X267
--	Decal Right Seat Deck	43X268

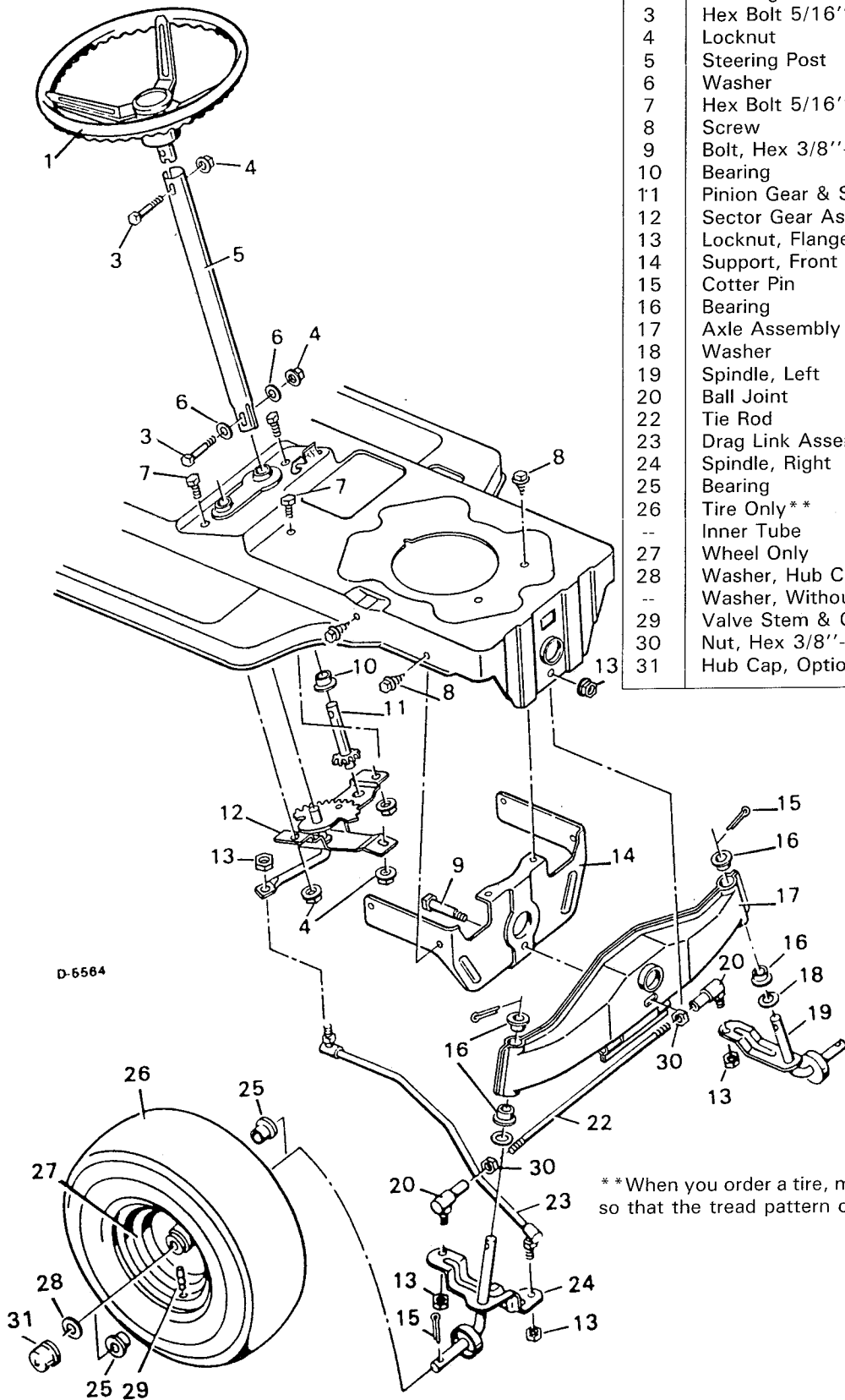
*Part Number included with key no. 30.

—When ordering painted parts see page 3.

MODEL NO. 8-36557

STEERING

KEY NO.	DESCRIPTION	PART NO.
1	Steering Wheel	90576
3	Hex Bolt 5/16"-18X1 1/2"	1X102
4	Locknut	15X88
5	Steering Post	91444C
6	Washer	17X47Z
7	Hex Bolt 5/16"-18X5/8"	1X45
8	Screw	26X49
9	Bolt, Hex 3/8"-24X3/4"	1X101
10	Bearing	90035
11	Pinion Gear & Shaft	91445
12	Sector Gear Assembly	90025
13	Locknut, Flange 3/8"-24	15X87
14	Support, Front Axle	90002E
15	Cotter Pin	30X49
16	Bearing	90035
17	Axle Assembly	90034E
18	Washer	17X113
19	Spindle, Left	91461E
20	Ball Joint	21031
22	Tie Rod	21475
23	Drag Link Assembly	90041
24	Spindle, Right	91460E
25	Bearing	91334
26	Tire Only**	24376
--	Inner Tube	407047
27	Wheel Only	24488E
28	Washer, Hub Caps Only	17X115Z
--	Washer, Without Hub Caps	17X83Z
29	Valve Stem & Cap	24373
30	Nut, Hex 3/8"-24	15X61
31	Hub Cap, Optional	21662



D-6584

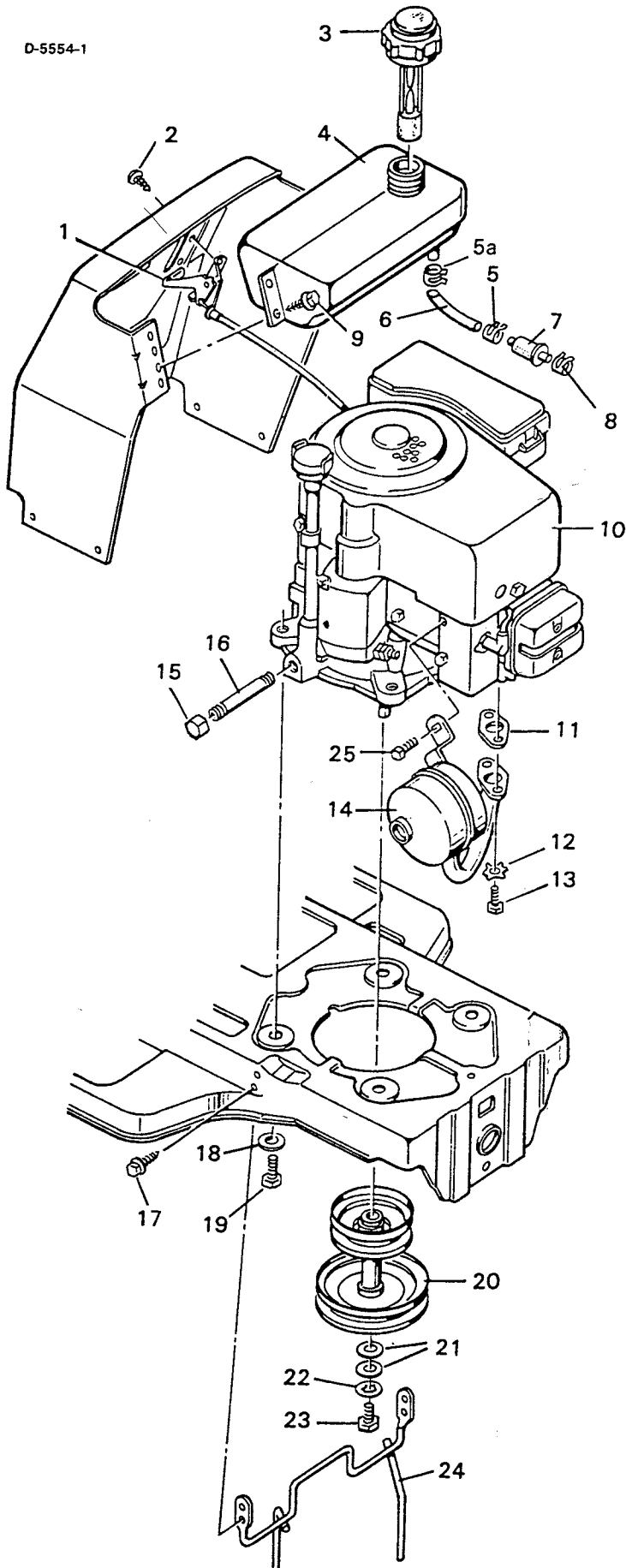
**When you order a tire, make sure to give the brand name of the tire so that the tread pattern on the tire will match.

S-1035

ENGINE MOUNT

MODEL NO. 8-36557

D-5554-1

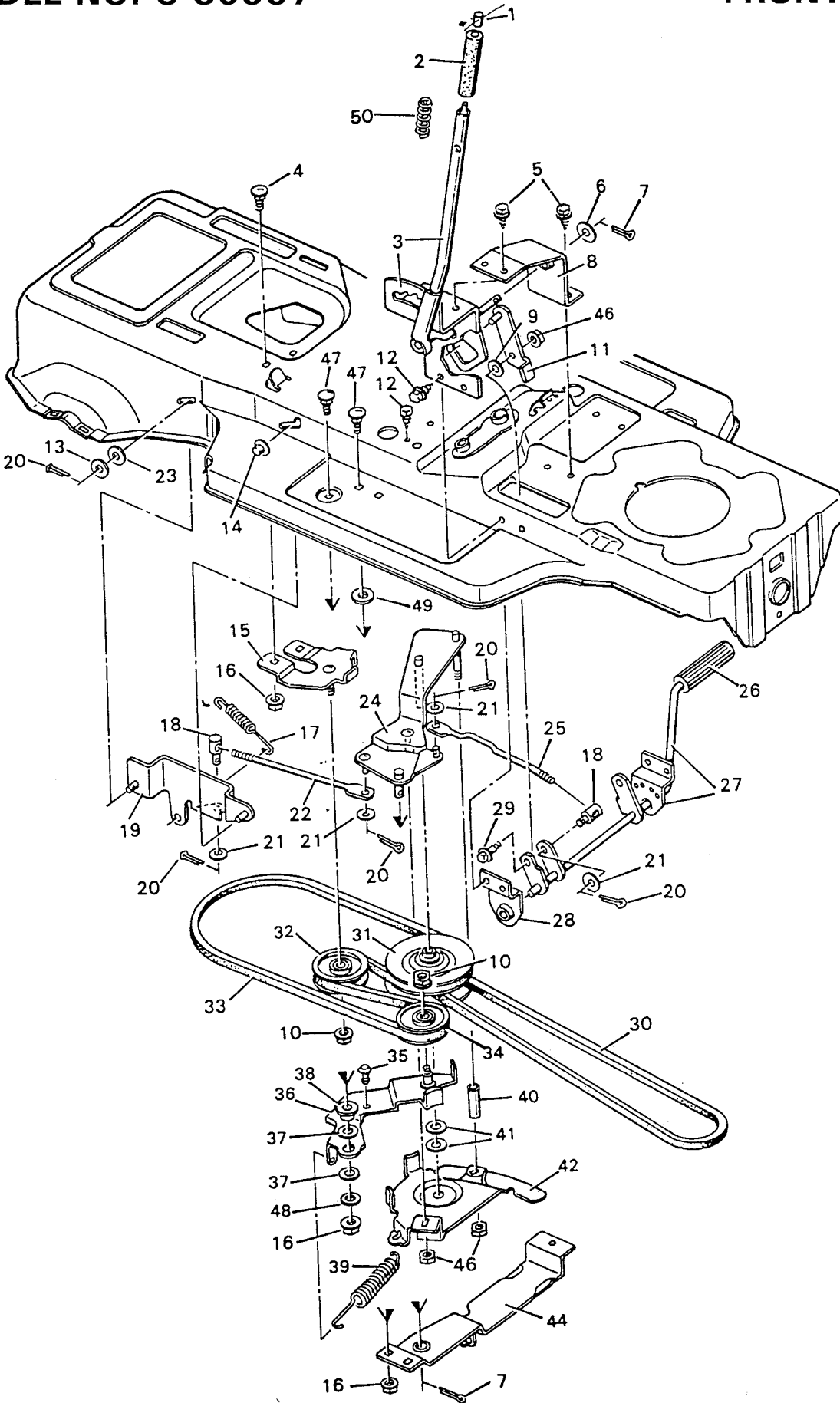


KEY NO.	DESCRIPTION	PART NO.
1	Throttle Control	91104
2	Screw	26X201
3	Fuel Cap	23711
--	Fuel Cap with Gauge	24064
4	Fuel Tank	23300
5	Hose Clamp	91174
5a	Hose Clamp	23713
6	Fuel Line	91022
7	Filter, Fuel	90840
8	Hose Clamp	91053
9	Screw	26X214
10	Engine*	----
11	Gasket	91101
12	Star Washer	19X6
13	Bolt, Hex 5/16''-18X3 1/4''	1X91
14	Muffler	91100
15	Cap, Oil Drain	21651
16	Oil Drain Extension	24066
17	Screw	25X2
18	Washer	19X8
19	Bolt, Engine Mount	25X6
20	Stack Pulley Assembly	91557Z
21	Washer	17X103
22	Lockwasher	19X35
23	Bolt, Hex 7/16''-20X1''	1X80
24	Belt Guide, Stack Pulley	90560Z
25	Bolt (included with engine)*	

*The engine model number is on the engine. All part to the engine are available from a Tecumseh Authorized Service Center. See "Engines, Gasoline" or "Gasoline Engines" in the yellow pages of the telephone directory.

MODEL NO. 8-36557

FRONT DRIVE



FRONT DRIVE

MODEL NO. 8-36557

KEY NO.	DESCRIPTION	PART NO.
1	Button, Steel**	91261
2	Grip, Speed Selector	91398
3	Speed Selector Assembly	90919SE
4	Bolt, Carriage 5/16''-18X5/8''	2X64
5	Screw	26X49
6	Washer	17X87Z
7	Cotter Pin	30X49
8	Bracket, Speed Selector	90519E
9	Washer	17X90
10	Locknut, Flange 3/8''-16	15X84
11	Speed Selector Link Assembly	90529E
12	Screw	26X197
13	Washer	17X116Z
14	Retainer Cap	28X48
15	Idler Bracket Assembly	90705
16	Nut, Flange 5/16''-18	15X79
17	Spring, Extention Brake	165X45
18	Nut, Adjustable	21920
19	Brake Plate Assembly	90527E
20	Cotter Pin	30X20
21	Washer	17X53Z
22	Rod, Brake Link	90538Z
23	Washer	17X47Z
24	Support Assembly, Upper	90543
25	Rod, Clutch/Brake Link	90525Z
26	Clutch/Brake Pedal	21544
27	Pedal Lever Assembly	90532
28	Support Bracket	90013
29	Bolt, Shoulder	9X8
30	Belt, Primary Drive*	400285
31	Variator Pulley Assembly	90564
32	Pulley, Backside Idler	91179
33	Belt, Secondary Drive*	400285
34	Pulley, "V" Idler	91178
35	Slide Button	90506
36	Idler Bracket Assembly	90534Z
37	Thrust Washer	17X142
38	Spacer, Idler Bracket	90508
39	Spring, Extension	165X44
40	Spacer, Variator Support	121X74Z
41	Washer, Thrust	17X139
42	Variator Support, Lower	90540E
44	Pivot Support Assembly	90657
46	Locknut, Flange 5/16''-18	15X88
47	Bolt, Carriage 5/16''-18X1''	2X72
48	Washer	17X146Z
49	Washer	10851Z
50	Spring**	164X21
--	Grease, Variator	407061

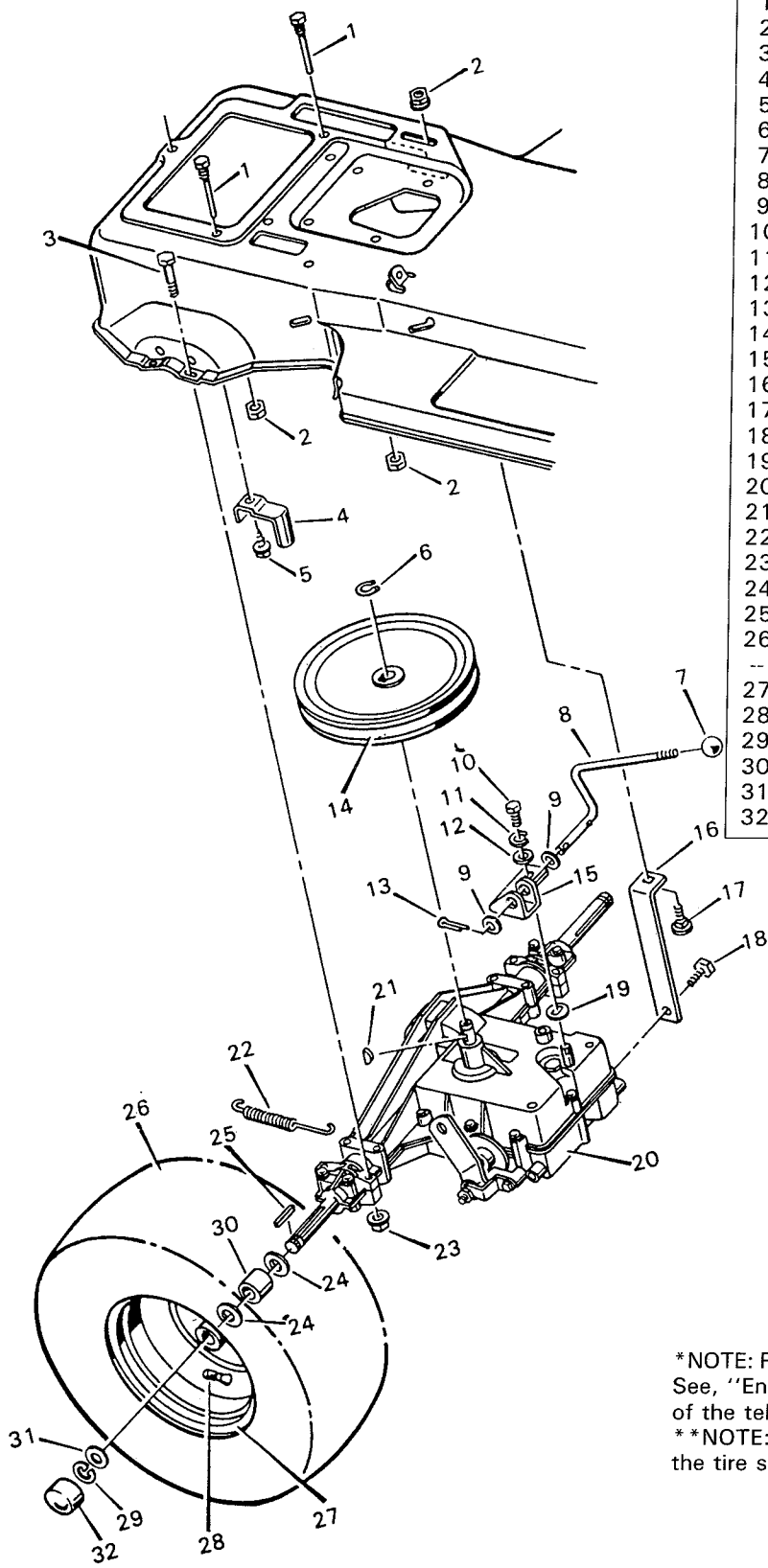
* NOTE: This part number (400285) includes both the Primary and the Secondary Drive Belts. Both belts must be replaced even if only one of the belts is damaged.

** NOTE: These parts are included when ordering key number 3.

REAR DRIVE

MODEL NO. 8-36557

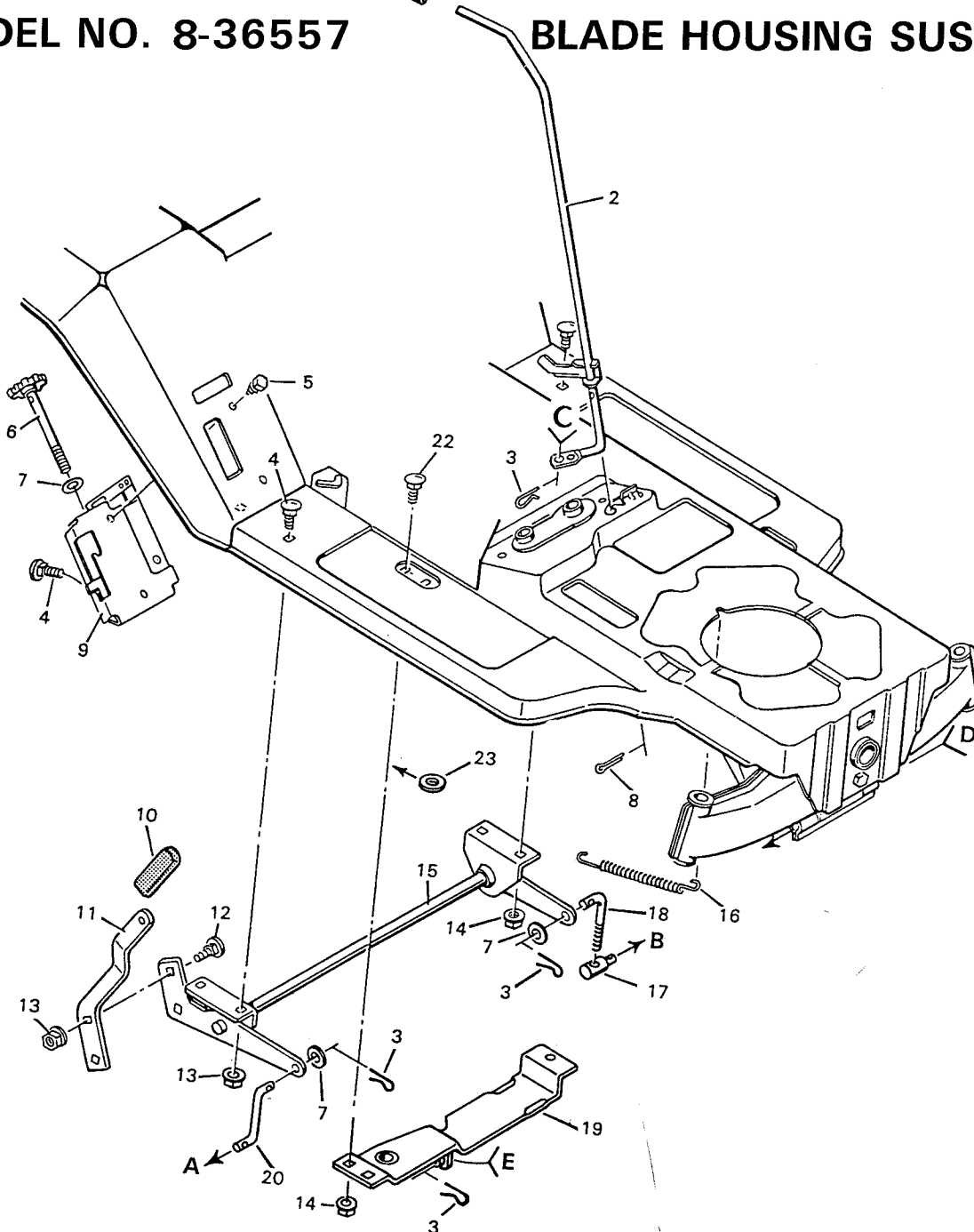
KEY NO.	DESCRIPTION	PART NO.
1	Bolt, Belt Guide	20619
2	Nut, Flange 5/16''-18	15X79Z
3	Bolt, Hex 5/16''-18X1 7/8''	1X98
4	Belt Guide	90693
5	Screw	26X49
6	Retainer Ring	11X7
7	Knob, Shift Lever	20739
8	Lever, Shift	90670Z
9	Washer	17X102Z
10	Bolt, Hex 1/4''-28X5/8''	1X82
11	Lockwasher	18X32
12	Washer	17X37Z
13	Cotter Pin	30X20
14	Pulley, Input Drive	90706
15	Shifter Yoke	900663Z
16	Support Transaxle	90687Z
17	Bolt, Carriage 5/16''-18X3/4''	2X53Z
18	Screw	26X207
19	Washer	17X134
20	Transaxle, Peerless Model 900-027*	----
21	Woodruff Key #9	20697
22	Spring, Brake	165X34
23	Locknut, Flange 5/16''-18	15X88
24	Washer, Transaxle	17X160
25	Square Key 3/16''X2''	21553
26	Tire Only**	24375
--	Inner Tube	407049
27	Wheel Only	24351E
28	Valve Stem and Cap	24373
29	E-Ring	11X3
30	Spacer	91394
31	Washer	17X115
32	Hub Cap, Optional	21662



* NOTE: Parts are available from a Tecumseh Authorized Service Center. See, "Engines, Gasoline" or "Gasoline Engines" in the yellow pages of the telephone directory.
 ** NOTE: When you order a tire, make sure to give the brand name of the tire so that the tread pattern on the tire will match.

MODEL NO. 8-36557

BLADE HOUSING SUSPENSION

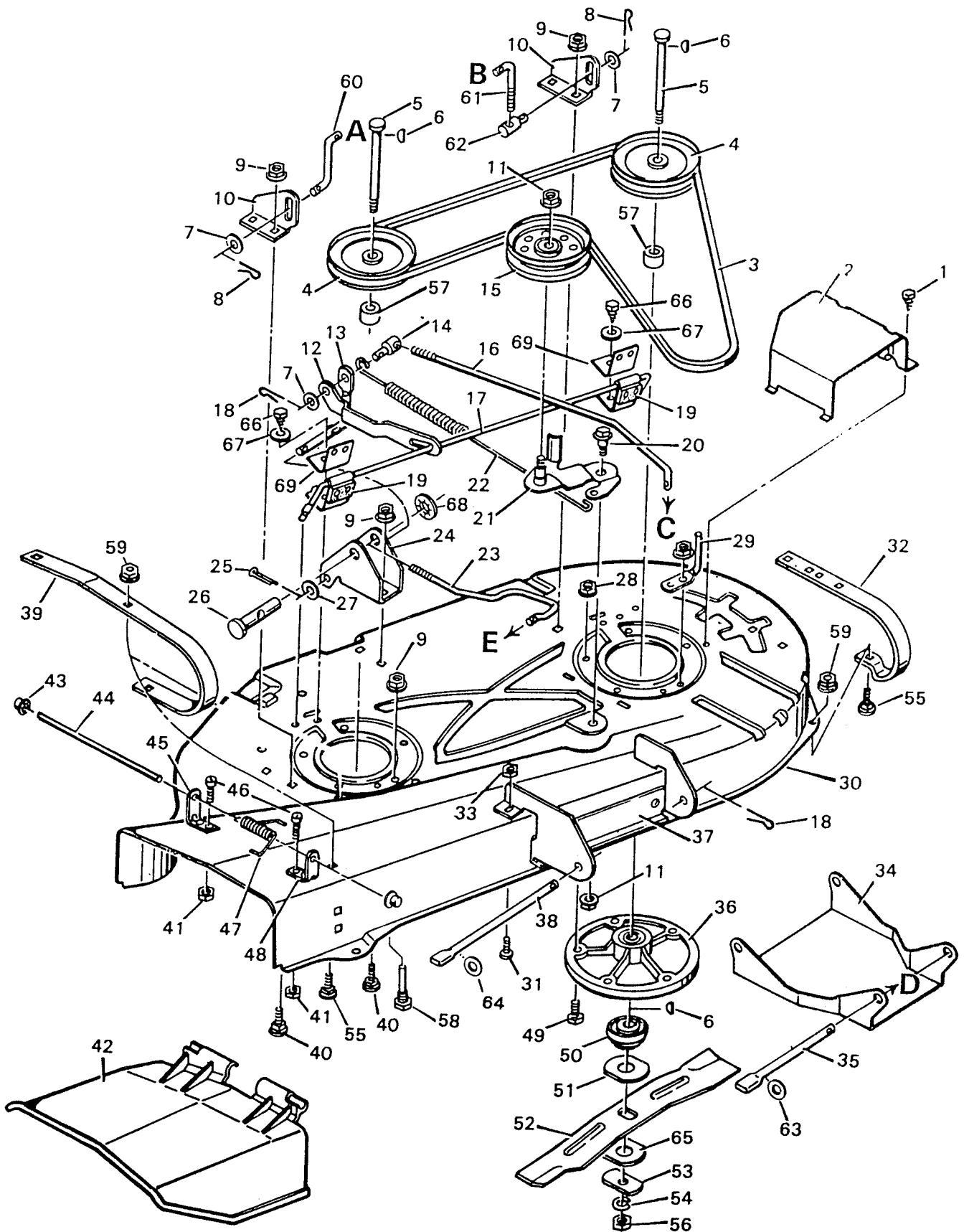


KEY NO.	DESCRIPTION	PART NO.	KEY NO.	DESCRIPTION	PART NO.
1	Grip, Blade Engagement Control	20476	12	Bolt, Carriage	2X57
2	Lever, Blade Engagement Control	90030Z	13	Locknut 3/8''-16	15X84
3	Hair Pin*	31X4	14	Nut, Hex 5/16''-18	15X79Z
4	Bolt, Carriage	2X64	15	Lifter Assembly	90825
5	Screw	26X49	16	Spring	165X32
6	Adjuster Screw Assembly	90078Z	17	Nut, Adjustable*	21920
7	Washer*	17X53Z	18	Rod, Adjuster*	90100Z
8	Cotter Pin	30X20	19	Support, Channel	90537Z
9	Bracket Assembly, Adjuster	404063	20	Rod, Lifter*	90099Z
10	Grip, Lifter Handle	91573	21	Hair Pin	31X2
11	Handle	90800E			

*Parts that have an asterisk * in the description are included with the complete blade housing. See the parts list for the blade housing.

MODEL NO. 8-36557

BLADE HOUSING



BLADE HOUSING**MODEL NO. 8-36557**

KEY NO.	DESCRIPTION	PART NO.	KEY NO.	DESCRIPTION	PART NO.
1	Screw	26X214	33	Locknut ¼"-20	15X67
2	Pulley Cover	90117E	34	Front Hanger	90106E
3	Belt, Blade Drive	37X43	35	Hanger Rod	90133Z
4	Jackshaft Pulley	23739	36	Jackshaft Housing Assembly	24384
5	Jackshaft	24578	37	Bracket, Front Hanger*	90401
6	Woodruff Key No. 6	20062	38	Hanger Rod	90107Z
7	Washer	17X53Z	39	Right Skid*	90392
8	Hairpin	31X2	40	Carriage Bolt 5/16" 18X5/8"*	2X53
9	Flange Nut 5/16"-18*	15X79Z	41	Hex Nut No. 10-24*	15X81
10	Lifter Bracket*	90103	42	Deflector, Blade Housing	21154
11	Flange Locknut 3/8"-16	15X84	43	Push On Cap	28X23
12	Brake Bar	90121Z	44	Deflector Rod	21198Z
13	Pivot Lever	90113Z	45	Rear Deflector Bracket*	21187
14	Adjustable Nut	90115	46	Machine Screw No. 10-24X5/8"*	4X21
15	Idler Pulley	90118	47	Torsional Spring	166X4
16	Blade Control Rod	90114Z	48	Front Deflector Bracket *	21186
17	Blade Brake Rod	90122Z	49	Hex Bolt 5/16" 18X1"	1X84
18	Hair Pin	31X4	50	Blade Adapter	54211
19	Spring Assembly, Blade Brake	90124	51	Blade Washer	21673Z
20	Shoulder Bolt 3/8"-16X7/8"	9X12	52	Blade (2 required)	20930HT
21	Idler Bracket Assembly	90110Z	53	Washer	20663Z
22	Spring	165X33	54	Lockwasher	18X27
23	Link Rod	90544Z	55	Carriage Bolt*	2X39
24	Rear Hanger Bracket*	90104	56	Hex Nut-Blade Mount ½"-20	15X72
25	Cotter Pin	30X20	57	Jackshaft Spacer	24533Z
26	Adjuster Bar	90907	58	Bolt, Belt Guide	20619
27	Washer	17X102	59	Hex Nut *	15X82
28	Flange Locknut 5/16"-18	15X88	60	Lifter Rod	90099Z
29	Belt Guide	90120Z	61	Adjuster Rod	90100Z
30	Blade Housing	91089E	62	Adjustable Nut	21920
	Complete Blade Housing Ass'y +	407918	63	Washer	17X122Z
31	Machine Screw ¼"-20X½"*	4X24	64	Washer	17X57
32	Left Skid*	90353E	65	Washer, Under Blade	24614Z
			66	Screw	26X195
			67	Washer	18X32
			68	Push Nut	28X54
			69	Spring Helper	91206

*These parts are included with key no. 30.

†This part number includes key numbers 1 to 69.

