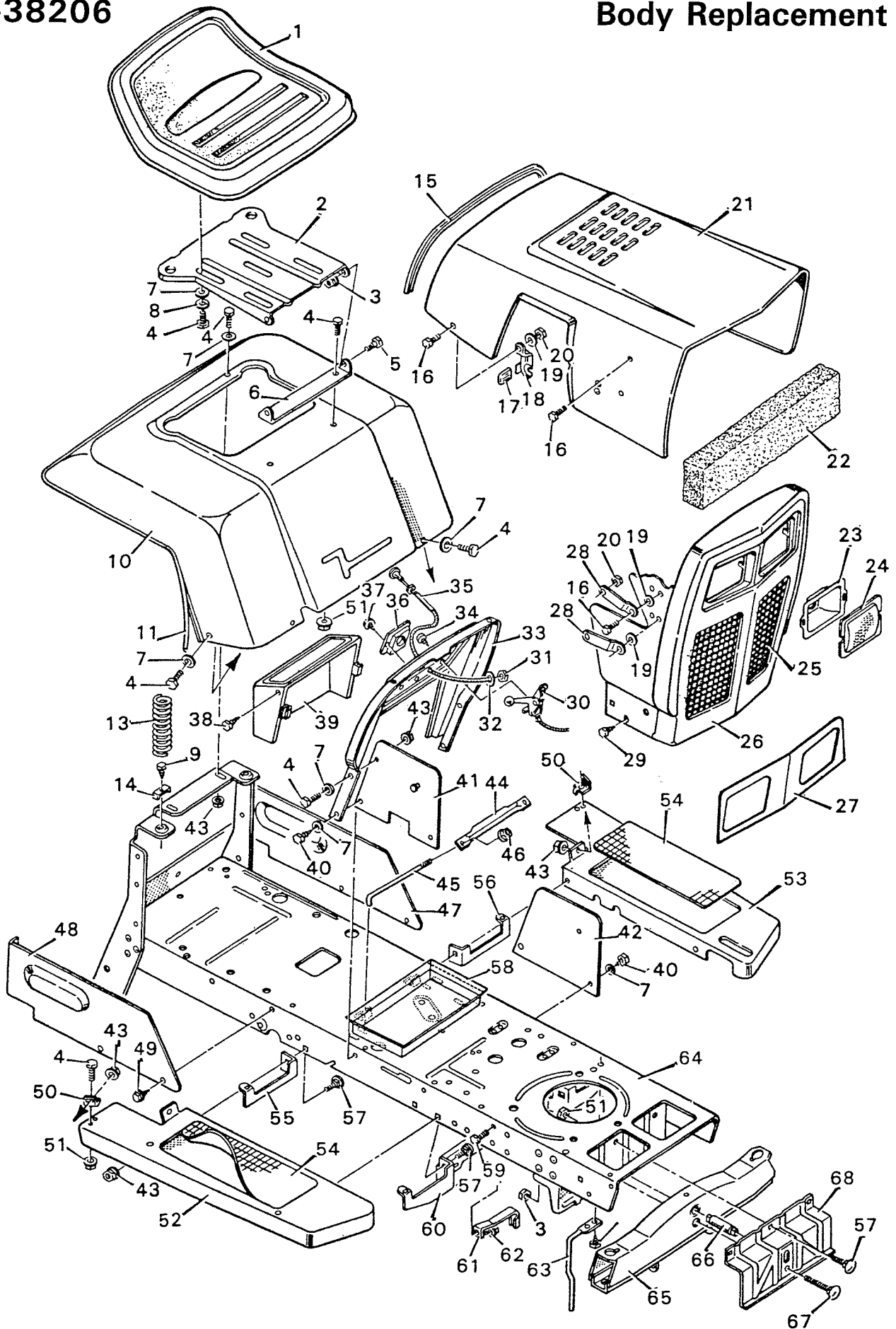


5-38206

Body Replacement Parts



Body Replacement Parts

5-38206

| KEY NO. | DESCRIPTION | PART NO. | KEY NO. | DESCRIPTION | PART NO. |
|---------|--------------------------------|----------|---------|------------------------------|----------|
| 1 | Seat | 90477 | 34 | Screw | 26X159 |
| 2 | Seat Support | 90032 | 35 | Choke Cable | 23780 |
| 3 | Flange Locknut 3/8"-16 | 15X84 | 36 | Bearing, Steering Post | 21707 |
| 4 | Hex Bolt 5/16" 18X5/8" | 1X45 | 37 | Screw | 26X186 |
| 5 | Shoulder Bolt 3/8" 16X7/8" | 9X15 | 38 | Screw | 26X214 |
| 6 | Seat Pivot Bracket | 90031 | 39 | Battery Cover | 23940 |
| 7 | Washer | 17X47Z | 40 | Screw | 26X197 |
| 8 | Lockwasher | 18X16 | 41 | Side Plate Assembly, Right | 23292 |
| 9 | Screw | 26X49 | 42 | Side Plate Assembly, Left | 24239 |
| 10 | Seat Deck | 90659 | 43 | Flange Nut 5/16" 18 | 15X79Z |
| 11 | Seat Deck Trim, Plastic | 21789 | 44 | Battery Clamp | 21761 |
| 13 | Spring | 164X17 | 45 | Battery Clamp Rod | 21762Z |
| 14 | Spring Retainer | 90014 | 46 | Flange Locknut 1/4" 20 | 15X82 |
| 15 | Hood Trim, Vinyl* | 21765 | 47 | Side Panel, Left | 24447 |
| 16 | Machine Screw No., 10 24X5/8"* | 4X21 | 48 | Side Panel, Right | 24446 |
| 17 | Grip, Hood Latch* | 21434 | 49 | Screw | 26X185 |
| 18 | Hood Latch, Right* | 21798Z | 50 | Bracket | 23372 |
| -- | Hood Latch, Left* | 21799Z | 51 | Flange Locknut 5/16" 18 | 15X88 |
| 19 | Washer* | 17X17Z | 52 | Running Board, Right | 23394 |
| 20 | Hex Nut No. 10 24* | 15X81 | 53 | Running Board, Left | 21935 |
| 21 | Hood Assembly | 24087 | 54 | Mat, Running Board | 21710 |
| 22 | Heat Baffle, Foam | 403154 | 55 | Running Board Bracket, Right | 23390 |
| 23 | Reflector | 90009C | 56 | Running Board Bracket, Left | 23391 |
| 24 | Lens | 90082 | 57 | Carriage Bolt 5/16" 18X5/8" | 2X53 |
| 25 | Grille Screen, Left | 24254E | 58 | Battery Tray | 24157 |
| -- | Grille Screen, Right | 24089E | 59 | Hex Bolt 1/4" 20X5/8" | 1X38 |
| 26 | Grille Assembly, Complete | 90668 | 60 | Running Board Support, Front | 24105 |
| 27 | Trim, Headlight | 90654C | 61 | Belt Guide | 23826Z |
| 28 | Pivot Bar | 23046 | 62 | Keps Nut 1/4" 20 | 15X66 |
| 29 | Screw | 26X202 | 63 | Belt Guide, Stack Pulley | 23789Z |
| 30 | Throttle Control | 23844PA | 64 | Frame Channel | 402058 |
| 31 | Hex Nut | 15X33 | 65 | Front Axle Assembly | 21441 |
| 32 | Lockwasher | 18X31 | 66 | Pivot Pin | 21469 |
| 33 | Control Panel | 24457 | 67 | Carriage Bolt 3/8" 16X3/4" | 2X60 |
| | | | 68 | Front Axle Hanger | 23829 |
| | | | | Parts Bag | 24496 |
| | | | | Instruction Book | F-7392 |
| | | | | Parts Lists | F-7399 |
| | | | | Parts Bag 42" Mower | 24451 |
| | | | | Instruction Book | F-7397 |
| | | | | Parts List 42" Mower | F-7397 |

NOTE: These parts, shown with an (*), are included with key number 21.

Steering Replacement Parts

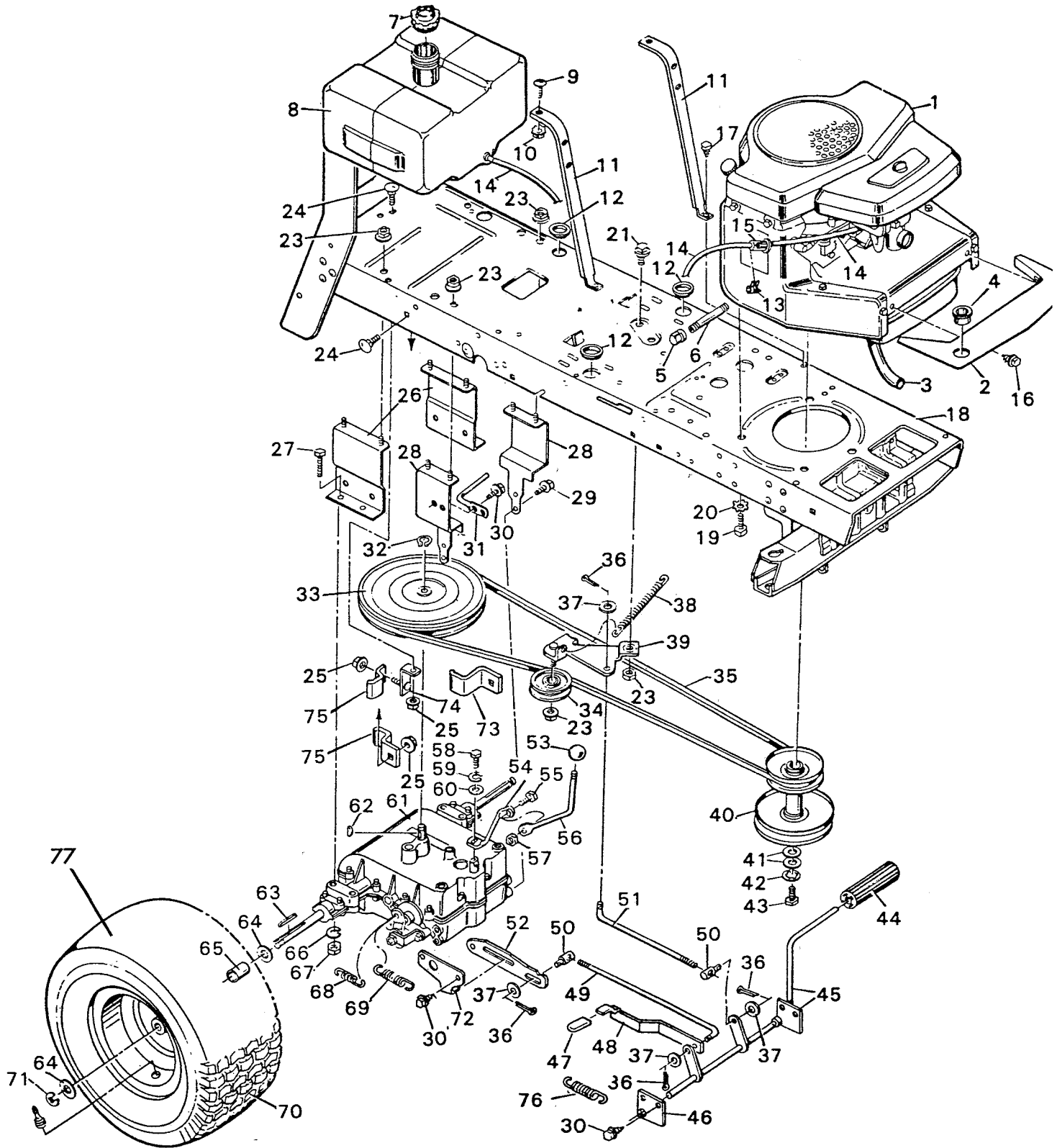
5-38206

| KEY NO. | DESCRIPTION | PART NO. |
|---------|--------------------------------|----------|
| 1 | Steering Wheel | 24495 |
| 2 | Cap, Steering Wheel | 55367 |
| 3 | Keps Nut 5/16" 18 | 15X76 |
| 4 | Hex Bolt 5/16" 18X1 3/4" | 1X75 |
| 5 | Steering Post | 24345C |
| 6 | Upper Steering Coupling | 21489 |
| 7 | Hex Bolt 1/4" 20X7/8" | 1x95 |
| 8 | Locknut 1/4" 20 | 15X67 |
| 9 | Formed Washer | 23039 |
| 10 | Steering Disc | 21532 |
| 11 | Flange Locknut 5/16" 18X5/8" | 15X84 |
| 12 | Hex Bolt 5/16" 18X5/8" | 1X45 |
| 13 | Steering Gear Bracket Assembly | 21492 |
| 14 | Bearing | 20587 |
| 15 | Hex Bolt 5/16" 18X5/8" | 1X45 |
| 16 | Steering Bracket | 21693 |
| 17 | Flange Locknut 5/16" 18 | 15X79 |
| 18 | Steering Gear Assembly | 21692 |
| 19 | Shoulder Bolt | 9X12 |
| 20 | Flange Locknut 5/16" 18 | 15X88 |
| 21 | Hex Nut | 15X61 |
| 22 | Steering Ball Joint | 21031 |
| 23 | Flange Locknut 3/8" 24 | 15X87 |
| 24 | Cotter Pin | 30X49 |
| 25 | Washer | 17X83Z |
| 26 | Spindle Bearing | 23820 |
| 27 | Left Spindle Assembly | 24229 |
| 28 | Drag Link Rod | 21482 |
| 29 | Sleeve, Drag Link Rod | 156X2 |
| 30 | Sleeve, Tie Rod | 156X1 |
| 31 | Tie Rod | 21475 |
| 32 | Right Spindle Assembly | 24228 |
| 35 | Wheel (Only) | 24488E |
| 33 | Tire (Only) | 24376 |
| * | Valve Stem and Cap | 24373 |
| * | Wheel Bearing | 55599 |
| * | Tire Tube | 407047 |
| 34 | Washer | 17X83Z |
| 36 | Coupling Plate | 21490 |

*NOTE: For Replacement Parts, always give the name on the side of the tire so that the tire tread pattern will be the same.

5-38206

Drive Replacement Part



Drive Replacement Parts

5-38206

| KEY NO. | DESCRIPTION | PART NO. | KEY NO. | DESCRIPTION | PART NO. |
|---------|----------------------------|----------|---------|--|----------|
| 1 | Engine*** | ---- | 41 | Washer | 10851Z |
| 2 | Baffle | 23869E | 42 | Star Washer | 19X39 |
| 3 | Exhaust Pipe | 23743E | 43 | Hex Bolt 3/8" 24X1" | 1X20 |
| 4 | Bushing | 23857 | 44 | Pedal, Clutch/Brake | 21544 |
| 5 | Oil Drain Cap | 21651 | 45 | Lever Assembly, Clutch/Brake | 23389 |
| 6 | Oil Drain Extension | 23783 | 46 | Support Bracket | 23358 |
| 7 | Fuel Cap | 23787 | 47 | Grip, Parking Brake | 24235 |
| 8 | Fuel Tank | 23396 | 48 | Parking Brake Arm | 24201Z |
| 9 | Carriage Bolt 1/4" 20X3/4" | 2X67 | 49 | Brake Rod | 23375Z |
| 10 | Flange Locknut 1/4" 20 | 15X89 | 50 | Adjustable Nut | 21920 |
| 11 | Support, Fuel Tank | 24331 | 51 | Clutch Rod | 24431Z |
| 12 | Grommet | 21268 | 52 | Brake Link Plate | 24425Z |
| 13 | Hose Clamp | 23713 | 53 | Knob, Shift Lever | 20739 |
| 14 | Fuel Line | 23714 | 54 | Lower Shift Lever | 23157Z |
| 15 | Fuel Filter | 24159 | 55 | Hex Bolt 5/16" 18X1" | 1X84 |
| 16 | Tap Screw 1/4"X1/2" | 26X214 | 56 | Upper Shift Lever | 23720Z |
| 17 | Tap Screw 5/16"X3/4" | 26X197 | 57 | Flange Locknut 5/16" 18 | 15X88 |
| 18 | Frame Channel | 402058 | 58 | Hex Bolt 1/4" 28X5/8" | 1X82 |
| 19 | Engine Mount Bolt | 20103 | 59 | Lockwasher | 18X32 |
| 20 | Star Washer | 19X8 | 60 | Washer | 17X32Z |
| 21 | Shoulder Bolt 3/8" 16X7/8" | 9X15 | 61 | Transaxle** (Peerless Model No. 801-016) | ---- |
| 23 | Flange Locknut 3/8" 16 | 15X84 | 62 | Woodruff Key No. 9 | 20697 |
| 24 | Carriage Bolt | 2X53 | 63 | Square Key 3/16" | 21553 |
| 25 | Flange Nut 5/16" 18 | 15X79 | 64 | Washer | 21521 |
| 26 | Rear Transaxle Bracket | 23154 | 65 | Rear Axle Tube | 87X63Z |
| 27 | Hex Bolt 5/16" 18X2 3/8" | 1X99 | 66 | Lockwasher | 18X15 |
| 28 | Front Transaxle Bracket | 24036E | 67 | Hex Nut 5/16" 18 | 15X2 |
| 29 | Formed Screw 5/16"X1" | 26X207 | 68 | Extension Spring | 165X20 |
| 30 | Tap Screw 5/16"X1/2" | 26X49 | 69 | Extension Spring | 165X41 |
| 31 | Belt Guide | 24030Z | 77 | Wheel (Only) | 24351E |
| 32 | Retainer Ring | 11X7 | † | Tire Tube | 407065 |
| 33 | Drive Pulley | 75073 | 70 | Tire (Only) | 24430 |
| 34 | Backside Idler | 23339 | † | Valve Stem and Cap | 24373 |
| 35 | Drive Belt | 37X11 | 71 | E Ring | 11X3 |
| 36 | Cotter Pin | 30X20 | 72 | Link Plate Support | 24426 |
| 37 | Washer | 17X53Z | 73 | Belt Guide | 24469 |
| 38 | Extension Spring | 165X17 | 74 | Bracket, Belt Guide | 23808 |
| 39 | Idler Bracket Assembly | 24035Z | 75 | Belt Guide | 24468 |
| 40 | Engine Stack Pulley | 90329Z | 76 | Extension Spring | 165X58 |

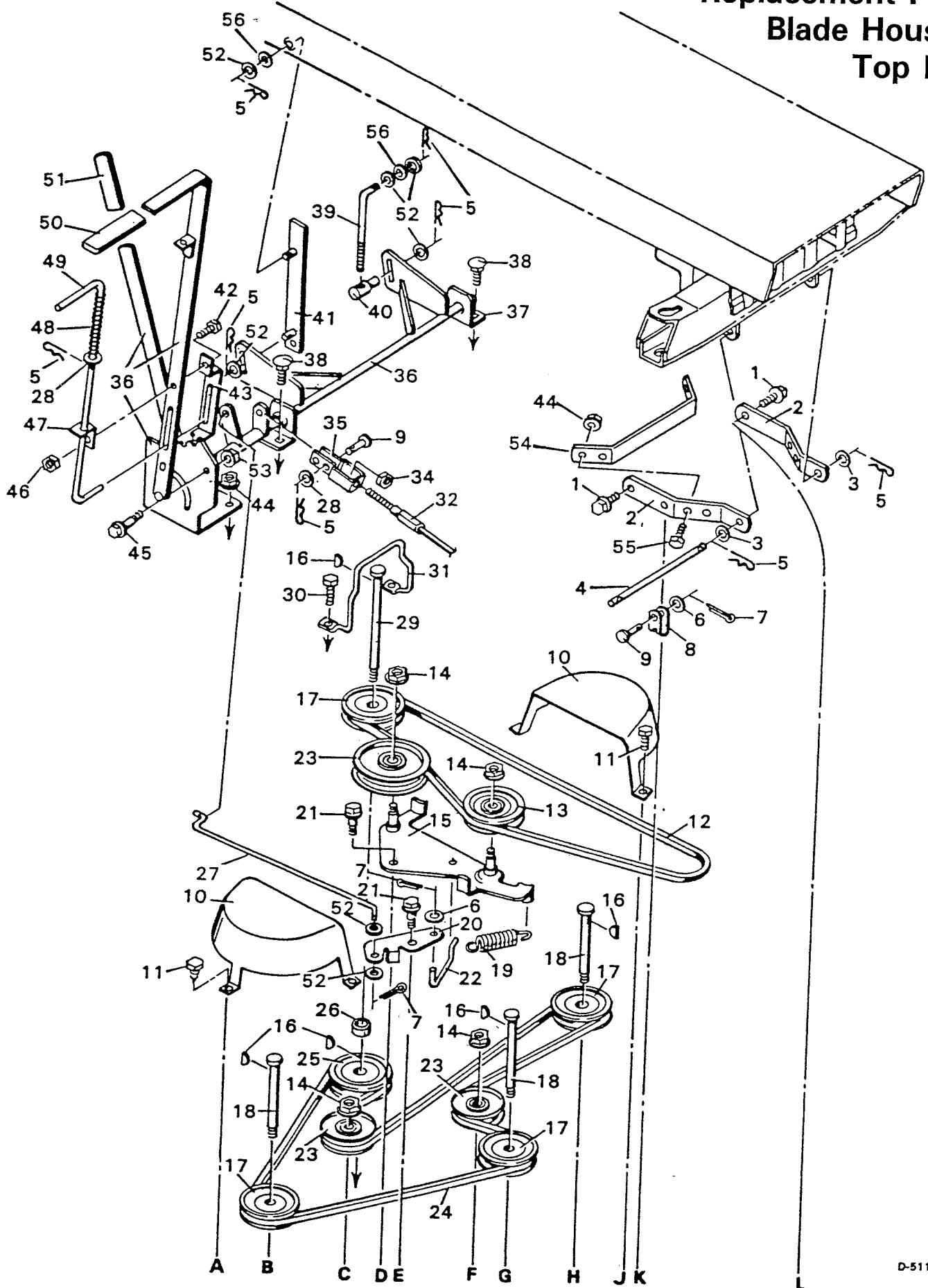
***NOTE: The engine model, type, and code numbers are on the engine. All parts to the engine are available from a Briggs and Stratton Authorized Service Center. See the yellow pages under, "Engines, Gasoline" or "Gasoline Engines" in the telephone directory.

**NOTE: Replacement parts for the transmission are available from a Tecumseh Authorized Service Center. See the yellow pages under, "Engines, Gasoline" or "Gasoline Engines" in the telephone directory.

*NOTE: For Replacement Parts, always give the name on the side of the tire so that the tire tread pattern will be the same.

5-38206

Replacement Pair
Blade Housing
Top Housing



Replacement Parts

Blade Housing

Top Half

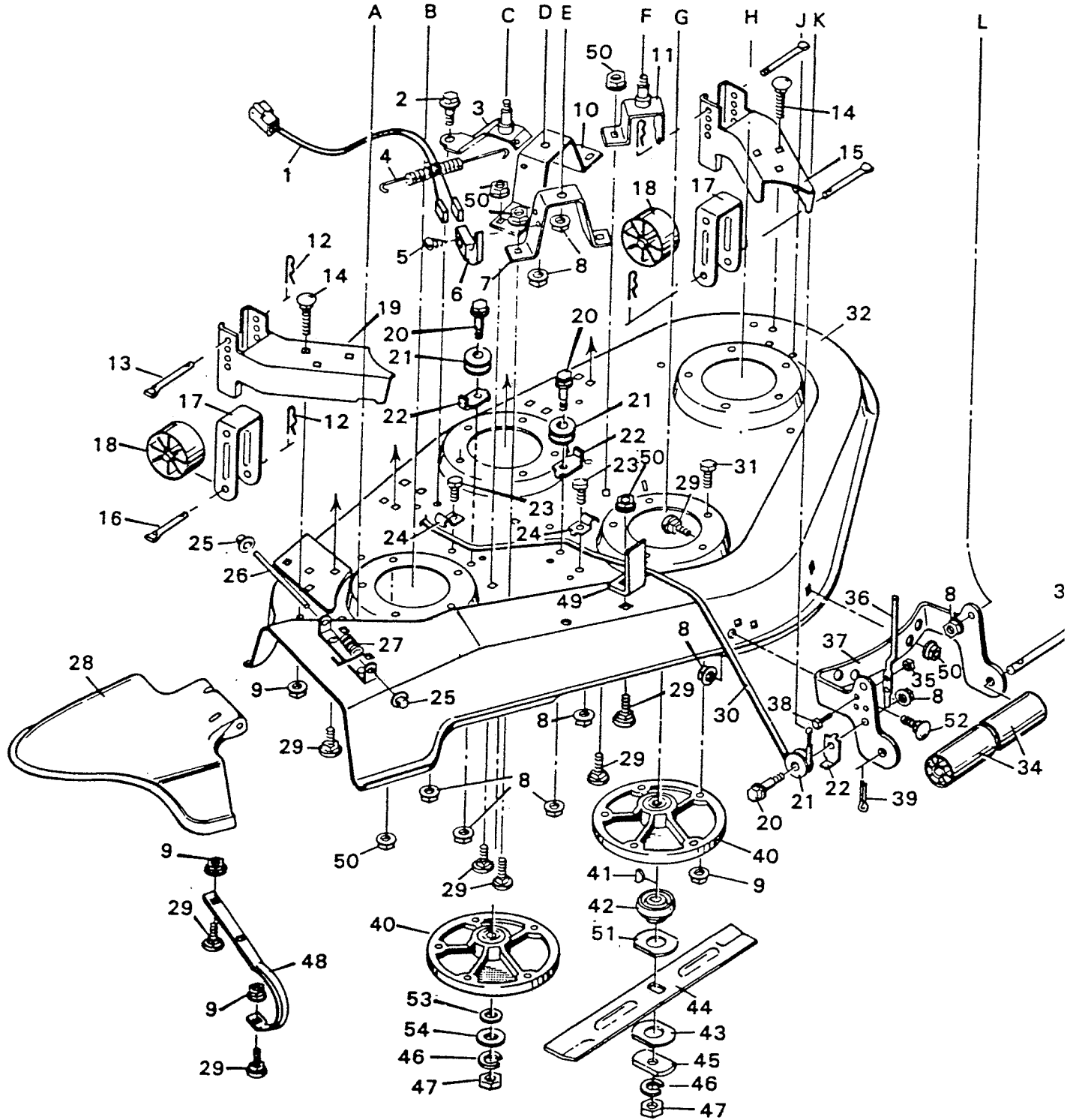
5-38206

| KEY NO. | DESCRIPTION | PART NO. | KEY NO. | DESCRIPTION | PART NO. |
|---------|-----------------------------------|----------|---------|-----------------------------------|----------|
| 1 | Shoulder Bolt | 9X14 | 31 | Belt Guide | 23751Z |
| 2 | Support Arm | 23185 | 32 | Lifter Cable | 24470 |
| 3 | Washer | 17X57Z | 34 | Hex Nut 5/16" 18 | 15X2 |
| 4 | Pull Pin | 21912Z | 35 | Adjusting Clevis | 24471Z |
| 5 | Hair Pin | 20692 | 36 | Lifter Assembly† | 24260 |
| 6 | Washer | 17X47Z | 37 | Lifter Support † | 23184 |
| 7 | Cotter Pin | 30X20 | 38 | Carriage Bolt 5/16" 18X3/4"† | 2X53 |
| 8 | Clevis | 24073Z | 39 | Adjuster Rod, 7 5/16" Long | 23824Z |
| 9 | Clevis Pin | 29X93 | | For 23" Diameter Rear Wheel | |
| 10 | Pulley Cover | 23231 | 39A | Adjuster Rod, 6 1/4" Long | 23275Z |
| 11 | Screw | 26X214 | | For 20" Diameter Rear Wheels | |
| 12 | Belt, Blade Drive For 16hp & 18hp | 37X40 | 40 | Adjustable Nut | 21920 |
| 13 | Idler Pulley | 23211 | 41 | Right Hanger Bracket, 6 3/8" Long | 23204Z |
| 14 | Flange Locknut 3/8"-16 | 15X84 | | For 23" Diameter Rear Wheels | |
| 15 | Blade Drive Idler Assembly | 23179Z | 41A | Right Hanger Bracket, 5 1/2" Long | 23188Z |
| 16 | Woodruff Key No. 6 | 20062 | | For 20" Diameter Rear Wheels | |
| 17 | Jackshaft Pulley | 20615 | 42 | Hex Bolt 1/4" 20X7/8" | 1X95 |
| 18 | Jackshaft, Short | 20616 | 43 | Guide Bracket | 23192Z |
| 19 | Spring, Blade Drive | 165X43 | 44 | Flange Locknut 5/16" 18† | 15X88 |
| 20 | Engagement Link | 23226Z | 45 | Shoulder Bolt 3/8" 16 | 9X13 |
| 21 | Shoulder Bolt 3/8"-16X7/8" | 9X12 | 46 | Keps Nut 1/4" 20 | 15X66 |
| 22 | Engagement Link Rod | 23228Z | 47 | Guide Bracket | 23193Z |
| 23 | Idler Pulley, Backside | 23238 | 48 | Lifter Spring | 164X4 |
| 24 | Belt, Cross Drive | 37X22 | 49 | Lifter Latch | 23194Z |
| 25 | Jackshaft Pulley | 23739 | 50 | Grip, Lifter Latch | 23222 |
| 26 | Spacer | 23213Z | 51 | Grip, Engagement Lever | 21249 |
| 27 | Link Rod | 23232Z | 52 | Washer | 17X124 |
| 28 | Washer | 17X53Z | 53 | Flange Nut 3/8" 16 | 15X68Z |
| 29 | Jackshaft | 23180 | 54 | Hanger Brace | 24472Z |
| 30 | Hex Bolt 5/16" 18X1" | 1X84 | 55 | Hex Bolt 5/16" 18X1" | 1X84 |
| | | | 56 | Washer | 10851Z |

NOTE: These parts, shown with an (†) in the description, are included with the blade housing. See the Lower Half of the Blade Housing.

5-38206

Replacement Pa
Blade Housi
Lower H



D-5118-4

F-7542

Replacement Parts

Blade Housing

Lower Half

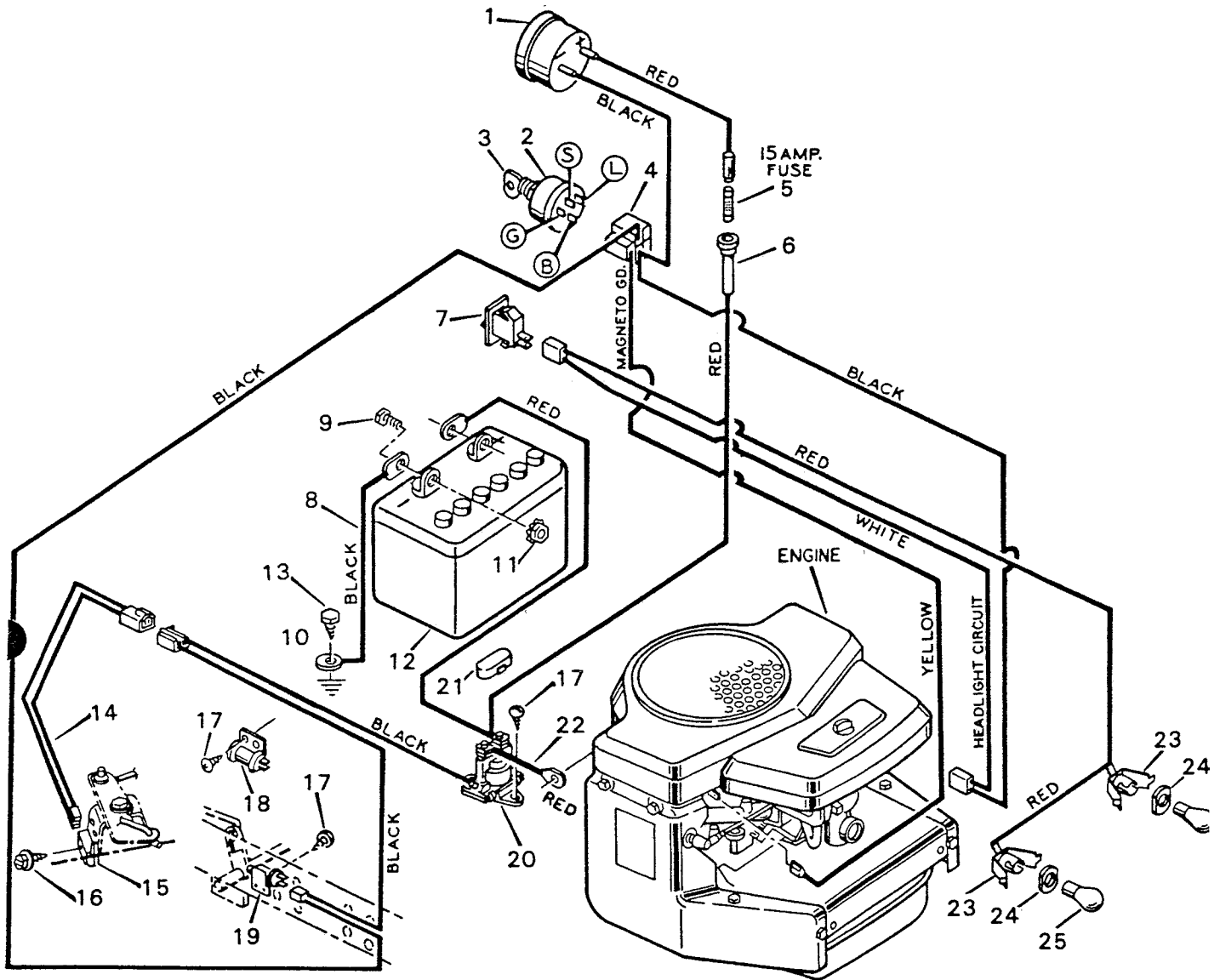
5-38206

| KEY NO. | DESCRIPTION | PART NO. | KEY NO. | DESCRIPTION | PART NO. |
|---------|---------------------------------|----------|---------|---|----------|
| 1 | Jumper Wire | 23983 | 31 | Hex Bolt 5/16" 18X3/4" | 1X84 |
| 2 | Shoulder Bolt 3/8"-16X7/8" | 9X15 | 32 | Blade Housing Assembly; with gauge wheels | 24307 |
| 3 | Cross Drive Idler Assembly | 23178Z | | Blade Housing Assembly; no gauge wheels | 24261 |
| 4 | Spring, Cross Drive | 165X19 | | | |
| 5 | Screw | 26X211 | | | |
| 6 | Limit Switch | 24527 | 33 | Roller Axle | 23186Z |
| 7 | Engagement Link Support † | 23241 | 34 | Roller | 23203 |
| 8 | Flange Locknut 3/8"-16 | 15x84 | 35 | Flange Locknut 1/4" 20 | 15X84 |
| 9 | Flange Locknut 5/16"-18 † | 15X88 | 36 | Belt Guide, Curved | 24071Z |
| 10 | Idler Support † | 23240 | | Belt Guide, Straight | 23790Z |
| 11 | Fixed Idler Assembly † | 23177 | 37 | Roller Support † | 24009 |
| 12 | Hair Pin | 20692 | 38 | Hex Bolt 1/4" 20X7/8" | 1X95 |
| 13 | Long Axle, Gauge Wheel | 23259Z | 39 | Cotter Pin | 30X49 |
| 14 | Carriage Bolt 5/16"-18X2 1/2" † | 2X58 | 40 | Jackshaft Housing | 24384 |
| 15 | Bracket, Left Gauge Wheel † | 23279 | 41 | Woodruff Key, Number 6 | 20062 |
| 16 | Short Axle, Gauge Wheel | 23258Z | 42 | Blade Adapter | 54211 |
| 17 | Retainer, Gauge Wheel | 23260Z | 43 | Washer | 21673Z |
| 18 | Gauge Wheel | 23257 | 44 | Blade | 24458 |
| 19 | Bracket, Right Gauge Wheel † | 23278 | 45 | Blade Washer | 20663 |
| 20 | Shoulder Bolt 3/8" 16 | 9X13 | 46 | Lockwasher | 18X27 |
| 21 | Nylon Pulley | 23187 | 47 | Hex Nut 1/2" 20 | 15X72 |
| 22 | Cable Guide | 23191Z | 48 | Skid † | 24070 |
| 23 | Screw | 26X214 | 49 | Deck Stop † | 23782 |
| 24 | Cable Guide | 21953Z | 50 | Flange Nut 5/16" 18† | 15X79 |
| 25 | Push on Cap | 28X23 | 51 | Washer | 24614Z |
| 26 | Deflector Rod | 23173Z | 52 | Carriage Bolt 5/16"-18X5/8" † | 2X53 |
| 27 | Torsional Spring | 166X4 | 53 | Washer | 17X140 |
| 28 | Deflector, Blade Housing | 23224 | 54 | Washer | 17X141 |
| 29 | Carriage Bolt 5/16" 18X3/4" † | 2X64 | | Blade Housing Complete, Top and Bottom | 403134 |
| 30 | Lifter Cable | 24470 | | | |

NOTE: These parts, shown with an (†) in the description, are included when ordering key number 32.

5-38206

Wiring Diagram Replacement Par



D-540

Wiring Diagram Replacement Parts

5-38206

| KEY NO. | DESCRIPTION | PART NO. |
|---------|------------------------------------|----------|
| 1 | Ammeter Assembly | 21057PA |
| 2 | Ignition Switch and Key | 21064PA |
| 3 | Key Only | 20729 |
| 4 | Wiring Harness | 24460 |
| | Wiring Harness Clamp | 21980 |
| 5 | Fuse | 23752 |
| 6 | Fuse Holder | 407058 |
| 7 | Light Switch | 90647 |
| 8 | Battery Cable with Fuse Wire (Red) | 24X20 |
| 9 | Hex Bolt 1/4"-20X5/8" | 1X38 |
| 10 | Battery Cable (Black) | 24X6 |
| 11 | Keys Nut 1/4" 20 | 15X66 |
| 12 | Battery 30 AMP Hour | 21075 |
| -- | Electrolyte (Battery Acid) | 90665 |
| -- | Battery Caps | 400262 |
| 13 | Screw | 26X49 |
| 14 | Jumper Wire | 23983 |
| 15 | Limit Switch, Blade Housing | 24527 |
| 16 | Screw | 26X211 |
| 17 | Screw | 26X233 |
| 18 | Limit Switch, Frame | 23029 |
| 19 | Limit Switch, Clutch | 21549 |
| 20 | Solenoid | 24285 |
| 21 | Cover, Solenoid | 90565 |
| 22 | Solenoid Wire (Red) | 24X13 |
| 23 | Light Socket Assembly | 90155 |
| 24 | Washer, Light Socket | 90228 |
| 25 | Headlight Bulb | 90084 |