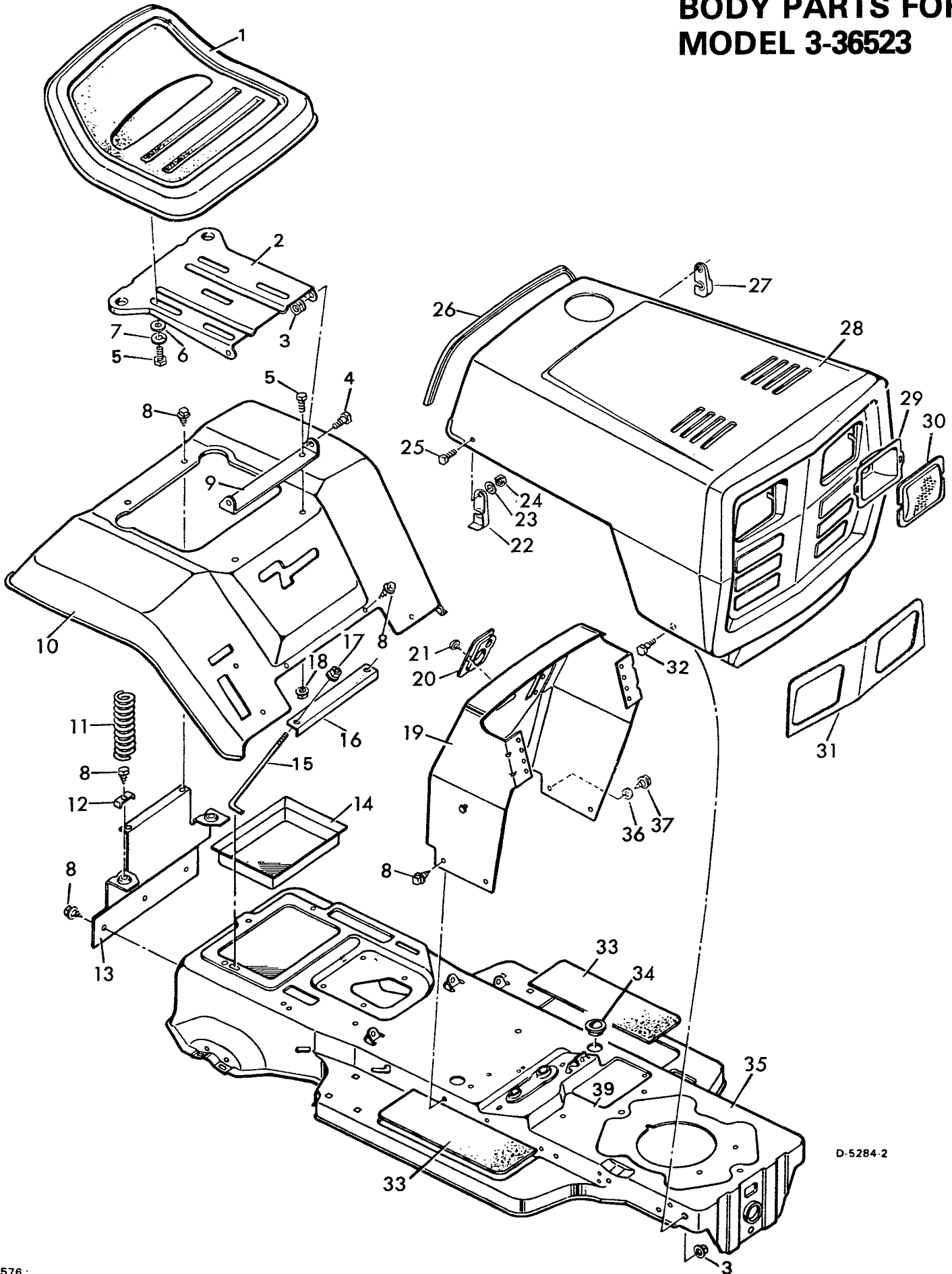


BODY PARTS FOR MODEL 3-36523



D-5284-2

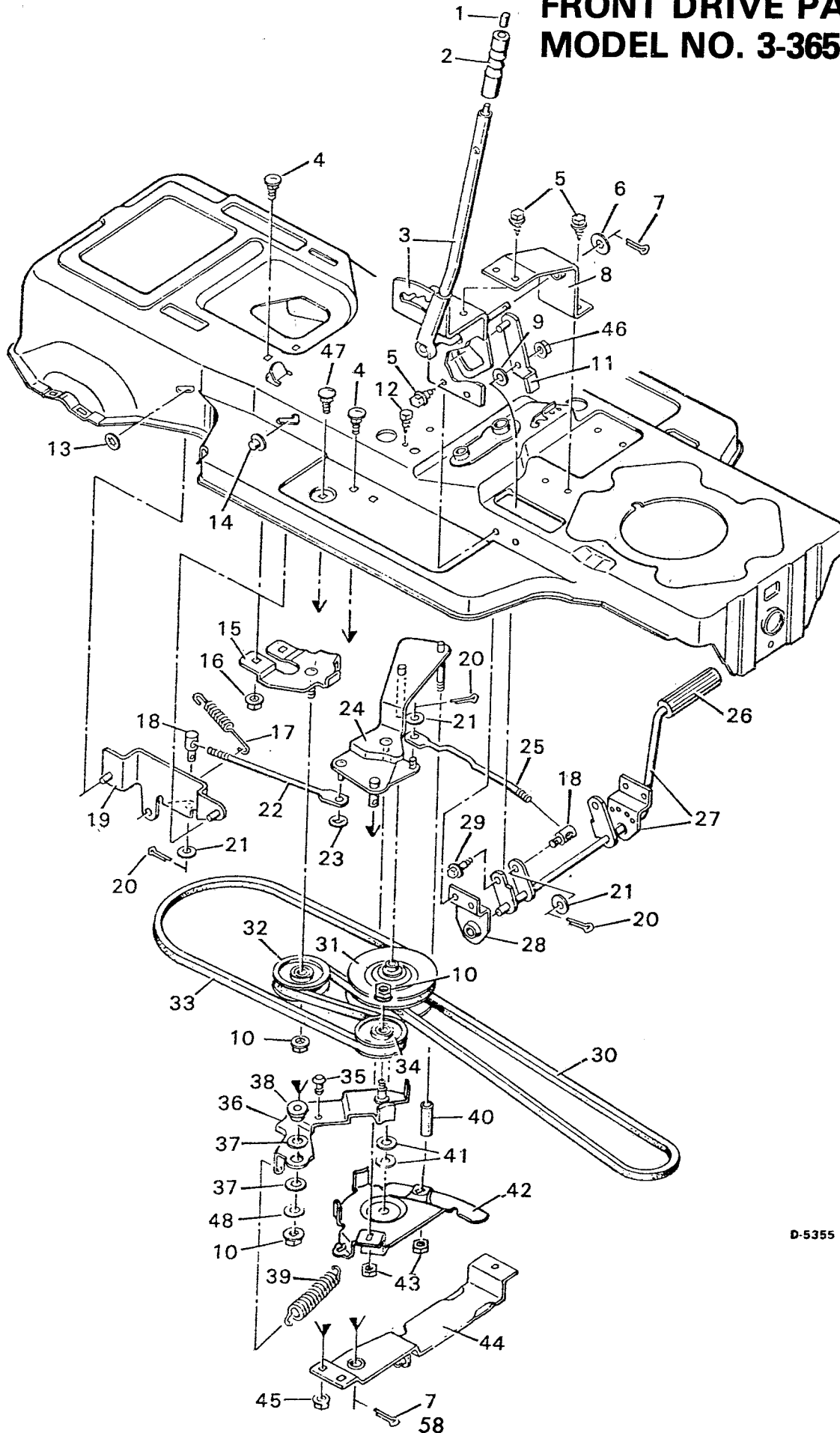
BODY PARTS FOR MODEL NO. 3-36523

PARTS LIST

KEY NO.	DESCRIPTION	PART NO.	KEY NO.	DESCRIPTION	PART NO.
1	Seat	90368	21	Screw # 10X 1/2"	26X186
2	Seat Support	90032	22	Hood Latch R.H.*	90464Z
3	Flange Locknut 3/8"-16	15X84	23	Washer*	17X17Z
4	Shoulder Bolt 3/8"-16X7/8"	9X15	24	Hex Locknut # 10-24*	15X81
5	Hex Bolt 5/16"-18X 1/2"	1X92	25	Machine Screw # 10-24X 1/2"*	4X20Z
6	Washer	17X47Z	26	Edge Trim*	90240
7	Spring Lockwasher	18X16	27	Hood Latch L.H.*	90465Z
8	Screw 5/16"X 1/2"	26X49	28	Hood and Grille-with hole	90470
9	Pivot Bracket	90031	29	Headlight Reflector	90009C
10	Seat Deck	90182	30	Lens	90082
11	Compression Spring	164X11	31	Headlight Trim	90159C
12	Spring Retainer	90014	32	Shoulder Bolt 3/8"-16X7/8"	9X14Z
13	Seat Deck Support	90007	33	Mat-Foot Rest	90148
14	Battery Tray	24157	34	Grommet	21268
15	Battery Clamp Rod	90456Z	35	Frame Channel	90001
16	Battery Clamp	21761Z	36	Washer	17X47Z
17	Flange Locknut 1/4"-20	15X82	37	Screw 5/16"-3/8"	26X174
18	Flange Locknut 5/16"-18	15X88	--	Parts Bag	90555
19	Dashboard Assembly	90200	--	Owners Manual	F-6225
20	Steering Post Bearing	90081			

* NOTE: These parts are included when ordering key no. 28.

FRONT DRIVE PARTS FOR MODEL NO. 3-36523



D-5355

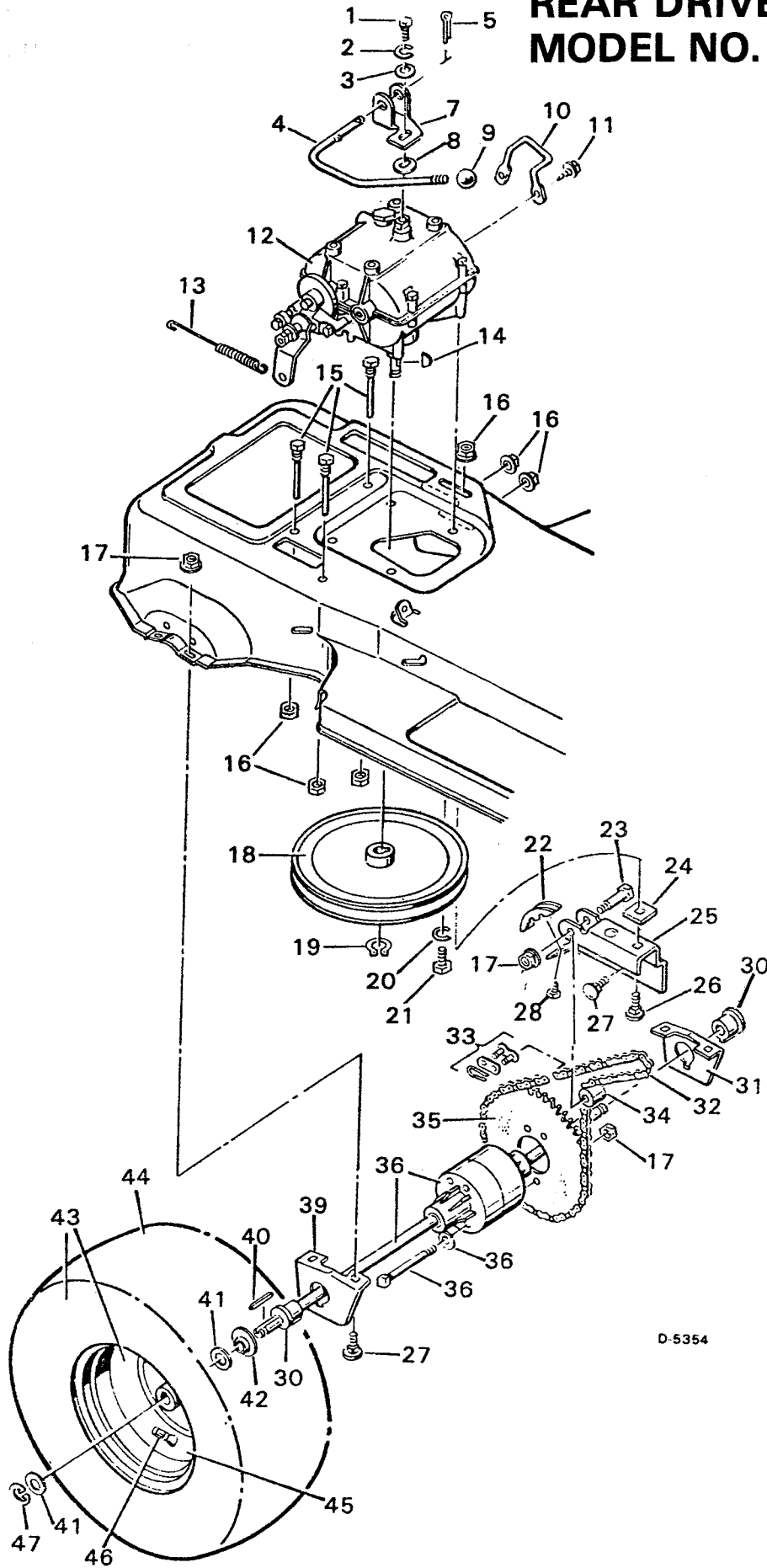
FRONT DRIVE PARTS FOR MODEL NO. 3-36523

PARTS LIST

KEY NO.	DESCRIPTION	PART NO.	KEY NO.	DESCRIPTION	PART NO.
1	Push Button	90556	25	Clutch Brake Link	90525Z
2	Grip	90504	26	Clutch Brake Pedal	21544
3	Speed Selector Assembly	90523	27	Pedal Lever Assembly	90532
4	Carriage Bolt 5/16''-18X5/8''	2X53	28	Support Bracket	90013
5	Screw 5/16''X 1/2''	26X49	29	Shoulder Bolt 5/16''-18X11/16''	9X8
6	Washer	17X87Z	30	Primary Drive Belt*	400258
7	Cotter Pin	30X49	31	Variator	90564
8	Speed Selector Support Bracket	90519	32	Idler Pulley	21409
9	Washer	17X90	33	Secondary Drive Belt*	---
10	Flange Locknut 3/8''-16	15X84	34	Idler Pulley	20613
11	Speed Selector Link Assembly	90529	35	Slide Button	90506
12	Screw 5/16''X3/4''	26X197	36	Idler Bracket Assembly	90534Z
13	Push on Nut	28X44	37	Thrust Washer	17X142
14	Retainer Cap	28X48	38	Spacer	90508
15	Idler Bracket Assembly	90510	39	Extension Spring	165X44
16	Flange Nut 5/16''-18	15X79	40	Spacer	121X74Z
17	Brake Extension Spring	165X45	41	Thrust Washer	17X139
18	Adjusting Nut	21920	42	Lower Variator Support	90540
19	Brake Plate Assembly	90527	43	Hex Nut 5/16''-18	15X43Z
20	Cotter Pin	30X20	44	Pivot Support Assembly	90537
21	Washer	17X53Z	45	Flange Nut 5/16''-18	15X79Z
22	Brake Link	90538Z	46	Flange Locknut 5/16''-18X 3/4	2X64
23	Push Nut	28X50	47	Carriage Bolt	2X72
24	Upper Support Assembly	90543	48	Washer	17X146
			...	Special Grease For Variator	407061

NOTE: Both belts are included when ordering Key No. 30 and should be replaced even if only one becomes maged.

REAR DRIVE PARTS FOR MODEL NO. 3-36523



D-5354

REAR DRIVE PARTS FOR MODEL NO. 3-36523

PARTS LIST

KEY NO.	DESCRIPTION	PART NO.	KEY NO.	DESCRIPTION	PART NO.
1	Hex Bolt ¼"-28X5/8"	1X82	25	Chain Idler Assembly	90480
2	Spring Lockwasher	18X32	26	Carriage Bolt 5/16"-18X3/4"	2X64
3	Washer	17X32Z	27	Carriage Bolt 5/16"-18X5/8"	2X53
4	Shift Lever	90191Z	28	Screw ¼"X ½"	26X214
5	Cotter Pin	30X20	30	Axle Bearing	90225
7	Shifter Yoke	90183Z	31	Bearing Plate L.H.	90347Z
8	Washer	17X134	32	Roller Chain and Link	90348
9	Shift Lever Knob	20739	33	Connecting Link	---
10	Chain Guide	90481Z	34	Roller*	90176
11	Screw	25X2	35	Sprocket 50 Tooth	90188
12	Transmission Peerless # 771	†771	36	Differential Peerless # 100-027	†100-027
13	Extension Spring-Brake	165X34	39	Bearing Plate R.H.	90346Z
14	Woodruff Key No. 9	20697	40	Square Key 3/16"	21553
15	Guide Screw	20619	41	Washer	17X113
16	Flange Nut 5/16"-18	15X79Z	42	Extruded Washer	23041Z
17	Flange Locknut 5/16"-18	15X88	43	Rear Wheel and Tire	24377
18	Pulley	90505	44	Tire Only* *	24375
19	Retainer Ring	11X7	45	Wheel Only* *	24351E
20	Spring Lockwasher	18X15	46	Valve Stem* *	24373
21	Hex Bolt 5/16"-18X¾"	1X91	47	E-Ring	11X3
22	Guide Block*	23403	--	Tire Tube	407049
23	Shoulder Bolt*	9X22			
24	Spacer	90177Z			

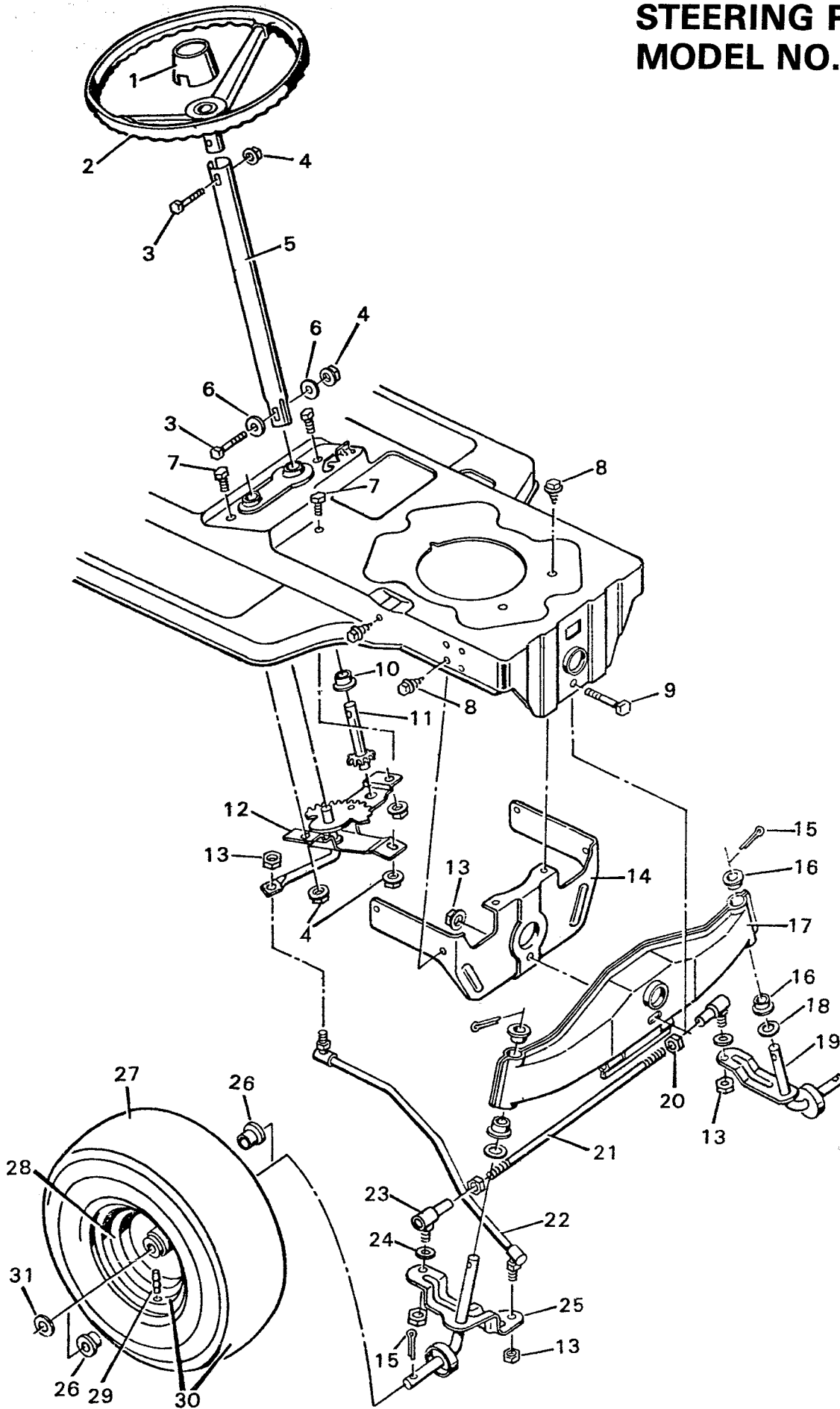
†Complete illustration of transmission shown on page 116 & 117.
Complete illustration of differential shown on page 110.

†NOTE: All parts pertaining to the transmission or the differential are available from Tecumseh Parts and Service Center in the Yellow Pages of the telephone directory under "Engines, Gasoline" or "Gasoline Engines".

* NOTE: These parts are included when ordering key no. 25.

* * NOTE: These parts are included when ordering Key No. 43. When ordering replacement parts specify the brand name of the tire to insure that the tread patterns of the tire match.

STEERING PARTS FOR MODEL NO. 3-36523



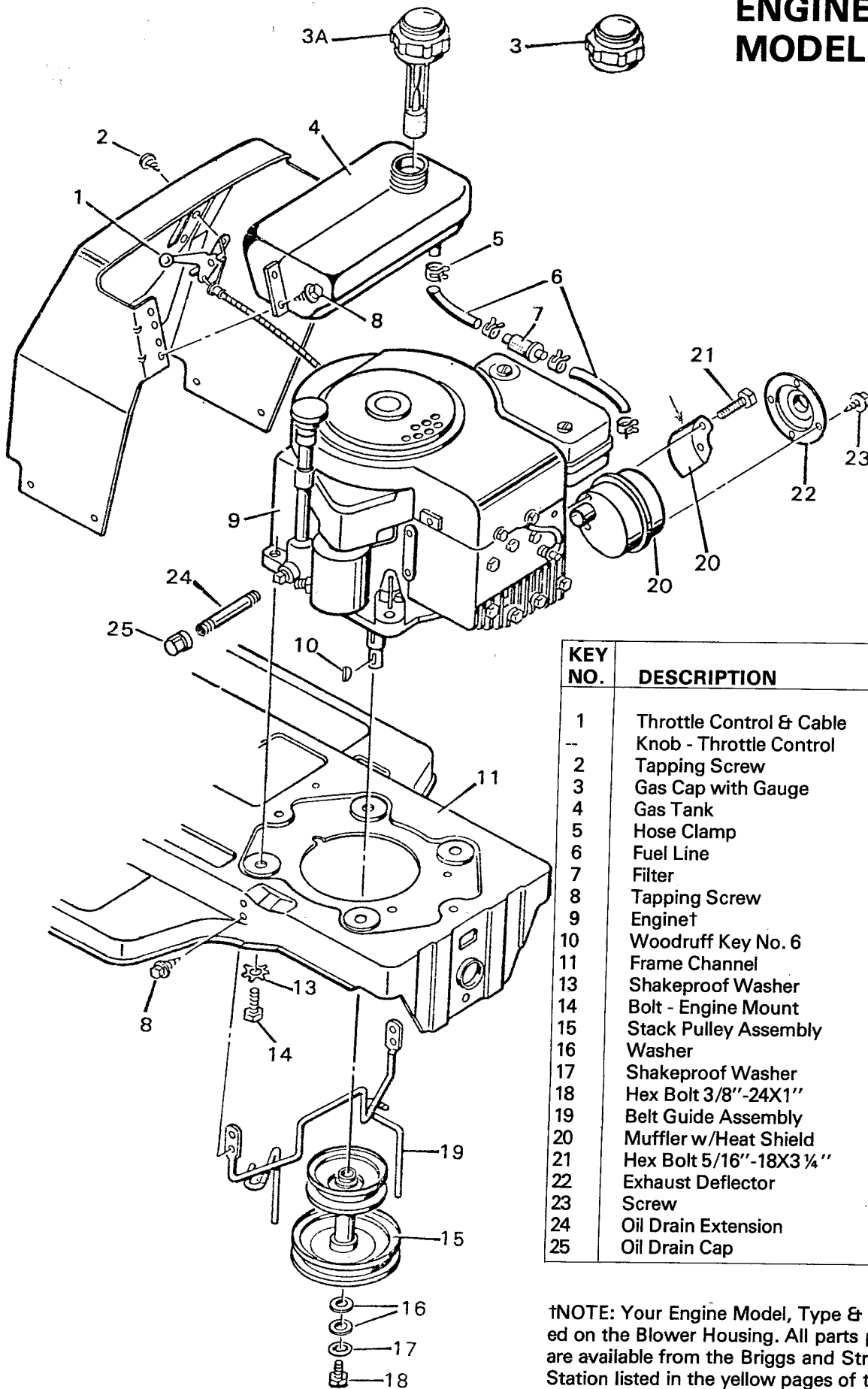
STEERING PARTS FOR MODEL NO. 3-36523

PARTS LIST

KEY NO.	DESCRIPTION	PART NO.	KEY NO.	DESCRIPTION	PART NO.
1	Steering Wheel Cap	23573	18	Washer	17X113
2	Steering Wheel	90126	19	Spindle Assembly-L.H.	90139
3	Hex Bolt 5/16"-18X1 1/2"	1X102	20	Hex Nut 3/8"-24	15X61
4	Flange Locknut 5/16"-18	15X88	21	Tie Rod	21475
5	Steering Post	90130C	22	Drag Link Assembly	90041
6	Washer	17X47Z	23	Steering Ball Joint	21031
7	Hex Bolt 5/16"-18X5/8"	1X45	24	Washer	17X124
8	Screw 5/16"X 1/2	26X49	25	Spindle Assembly R.H.	90138
9	Hex Bolt 3/8"-24X3 1/4"	1X101	26	Bearing*	24367
10	Bearing	90096	27	Tire Only*	24376
11	Pinion Gear and Shaft	90132	28	Wheel Only*	24355E
12	Sector Gear Assembly	90025	29	Valve Stem and Cap*	24373
13	Flange Locknut 3/8"-24	15X87	30	Wheel and Tire	24378
14	Front Axle Support	90002	31	Washer	17X83Z
15	Cotter Pin	30X49	--	Tire Tube	407047
16	Spindle Bearings	90035			
17	Axle Assembly	90034			

NOTE: These parts are included when ordering key no. 30. When ordering replacement parts specify the brand name of the tire to insure that the tread patterns of the tire match.

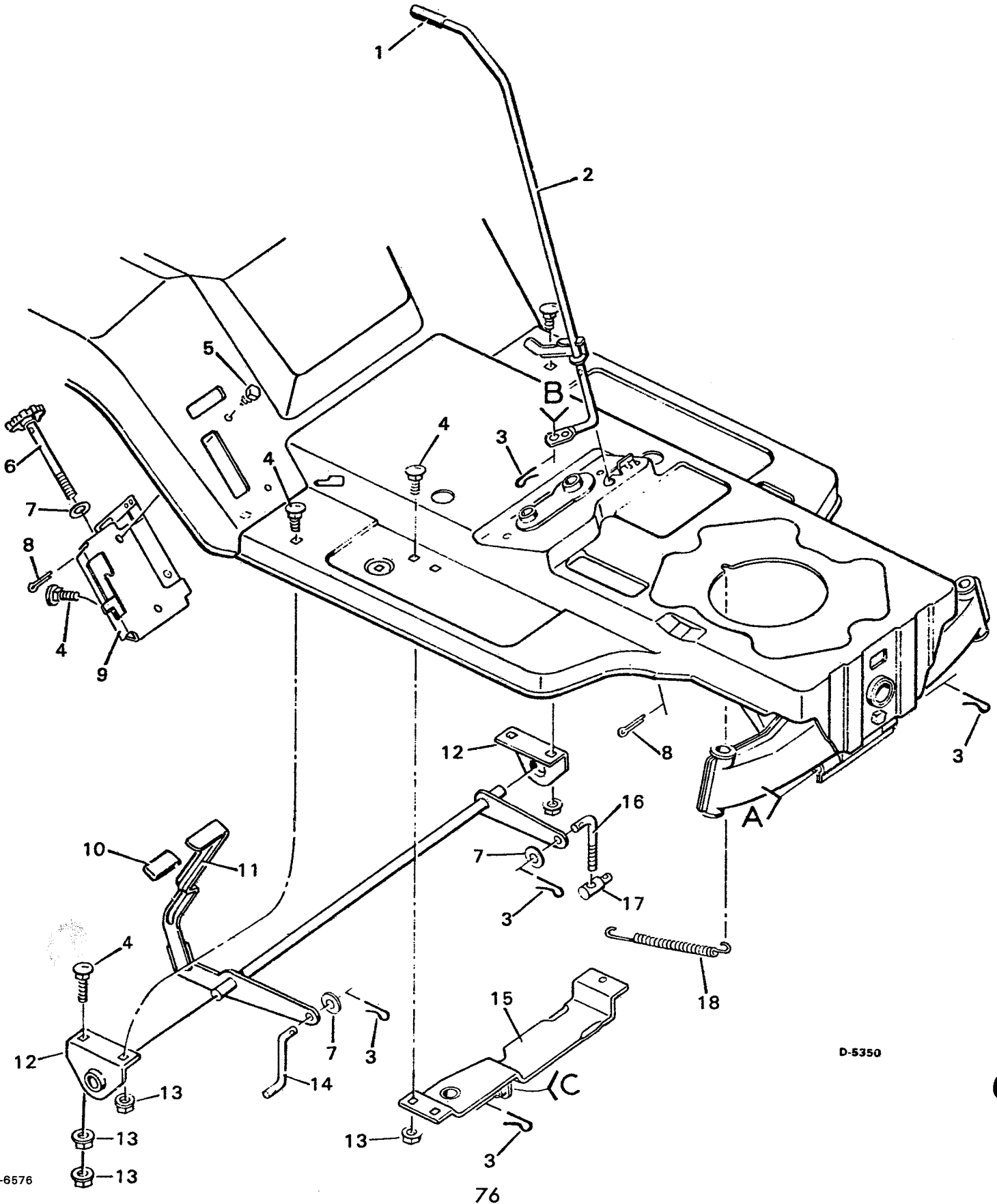
ENGINE MOUNT FOR MODEL NO. 3-36523



KEY NO.	DESCRIPTION	PART NO.
1	Throttle Control & Cable	90095
--	Knob - Throttle Control	20339
2	Tapping Screw	26X159
3	Gas Cap with Gauge	24064
4	Gas Tank	23300
5	Hose Clamp	23713
6	Fuel Line	23715
7	Filter	24159
8	Tapping Screw	26X214
9	Engine	---
10	Woodruff Key No. 6	20062
11	Frame Channel	90001
13	Shakeproof Washer	19X8
14	Bolt - Engine Mount	20103
15	Stack Pulley Assembly	90329Z
16	Washer	10851Z
17	Shakeproof Washer	19X39
18	Hex Bolt 3/8"-24X1"	1X20
19	Belt Guide Assembly	90560Z
20	Muffler w/Heat Shield	90330PA
21	Hex Bolt 5/16"-18X3 1/4"	1X118
22	Exhaust Deflector	23740Z
23	Screw	26X203
24	Oil Drain Extension	24066
25	Oil Drain Cap	21651

†NOTE: Your Engine Model, Type & Code Number is stamped on the Blower Housing. All parts pertaining to the engine are available from the Briggs and Stratton Parts and Service Station listed in the yellow pages of the classified Telephone Directory.

TOP HALF BLADE HOUSING PARTS FOR MODEL NO. 3-36523



F-6576

D-5350

76

TOP HALF BLADE HOUSING PARTS FOR MODEL NO. 3-36523

PARTS LIST

KEY NO.	DESCRIPTION	PART NO.	KEY NO.	DESCRIPTION	PART NO.
1	Grip	20476	11	Lifter Assembly	90549
2	Control Lever Assembly	90030Z	12	Hanger Bracket	90042
3	Hair Pin	75336	13	Flange Nut 5/16"-18	15X79
4	Carriage Bolt 5/16"-18X5/8"	2X53	14	Lifter Rod	90099Z
5	Screw 5/16"X 1/2"	26X49	15	Pivot Support Assembly	90537
6	Adjusting Screw Assembly	90078Z	16	Adjusting Rod	90100Z
7	Washer	17X53Z	17	Adjusting Nut	21920
8	Cotter Pin	30X20	18	Spring	165X32
9	Height Adjuster Bracket Ass'y.	404063			
10	Grip	23340			

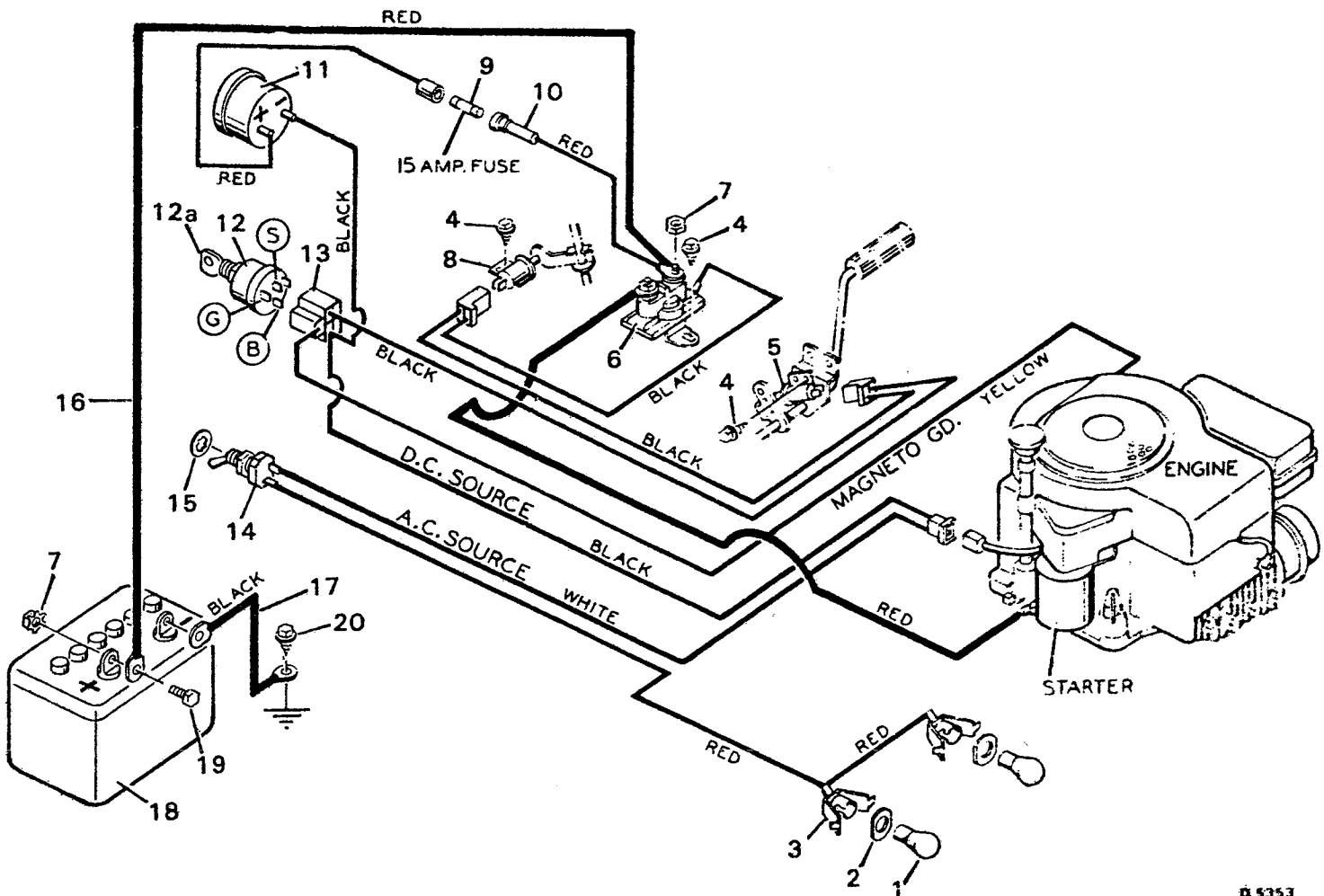
BOTTOM HALF BLADE HOUSING PARTS FOR MODEL NO. 3-36523

PARTS LIST

KEY NO.	DESCRIPTION	PART NO.	KEY NO.	DESCRIPTION	PART NO.
1	Screw ¼"X ½"	26X214	32	Skid R.H.*	90392
2	Pulley Cover	90117	33	Skid L.H.*	90353
3	Blade Drive Belt	37X39	34	Carriage Bolt ¼"-20X9/16"	2X39
4	Jackshaft Pulley	23739	35	Belt Guide	90120Z
5	Jackshaft	24578	36	Flange Locknut 5/16"-18	15X88
6	Woodruff Key No. 6	20062	37	Push on Cap	28X23
7	Washer	17X53Z	38	Deflector Rod	21198Z
8	Hair Pin	75336	39	Rear Deflector Bracket*	21187
9	Flange Nut 5/16"-18*	15X79	40	Machine Screw # 10-24X5/8"	4X21
10	Lifter Bracket*	90103	41	Hex Locknut # 10-24	15X81
11	Adjusting Rod	90100Z	42	Torsional Spring	166X4
12	Adjusting Nut	21920	43	Front Deflector Bracket*	21186
13	Lifter Rod	90099Z	44	Chute Deflector	21154
14	Flange Locknut 3/8"-16	15X84	45	Carriage Bolt 5/16"-18X5/8"	2X53
15	Jackshaft Spacer	24533Z	46	Guide Screw	20619
16	Idler Pulley	90118	47	Hanger Rod	90107Z
17	Brake Bar	90121Z	48	Washer	17X57Z
18	Pivot Lever	90113Z	49	Front Hanger Bracket*	90401
19	Adjusting Nut	90115	50	Blade Housing Assembly	90391
20	Control Rod	90114Z	51	Front Hanger	90106
21	Blade Brake Rod	90122Z	52	Washer	17X122Z
22	Spring Assembly	90123	53	Hanger Rod	90133Z
23	Shoulder Bolt 3/8"-16X7/8"	9X12	54	Jackshaft Housing	24384
24	Idler Bracket Assembly	90110Z	55	Hex Bolt 5/16"-18X1	1X84
25	Extension Spring	165X33	56	Blade Adapter	20617
26	Rear Hanger Bracket*	90104	57	Washer	24614Z
27	Link Rod	90544Z	58	Blade 36 inch	20930
28	Washer	17X102Z	59	Washer	21673Z
29	Cotter Pin	30X20	60	Washer	20663Z
30	Adjusting Bar	90109	61	Spring Lockwasher	18X27
31	Flange Locknut ¼"-20*	15X82	62	Hex Nut ½"-20	15X72
			--	Complete Blade Housing Assembly	403186

* NOTE: These parts are included when ordering key no. 50.

WIRING DIAGRAM FOR MODEL NO. 3-36523



5353

PARTS LIST

KEY NO.	DESCRIPTION	PART NO.	KEY NO.	DESCRIPTION	PART NO.
1	Lamp Bulb	90084	12a	Key and Ring only	20729
2	Headlamp Washer	90228	13	Wiring Harness	90507
3	Socket Assembly	90155	14	Light Switch	20899PA
4	Screw # 10X3/8"	26X185	15	Shakeproof Washer	19X36
5	Safety Switch	21549	16	Battery Cable	24X18
6	Solenoid	24285	17	Battery Cable	24X9
7	Keps Nut 1/4"-20	15X66	18	Battery	21075
8	Safety Switch	24273	*	Electrolite (Battery Acid)	21079
9	15 AMP Fuse	23752	*	Battery Caps	400262
10	Fuse Holder	407058	19	Hex Bolt 1/4"-20X5/8"	1X38
11	Ammeter Assembly	21057PA	20	Screw 5/16"X 1/2"	26X49
12	Key Switch	21064PA	*	Tie Strap	32618