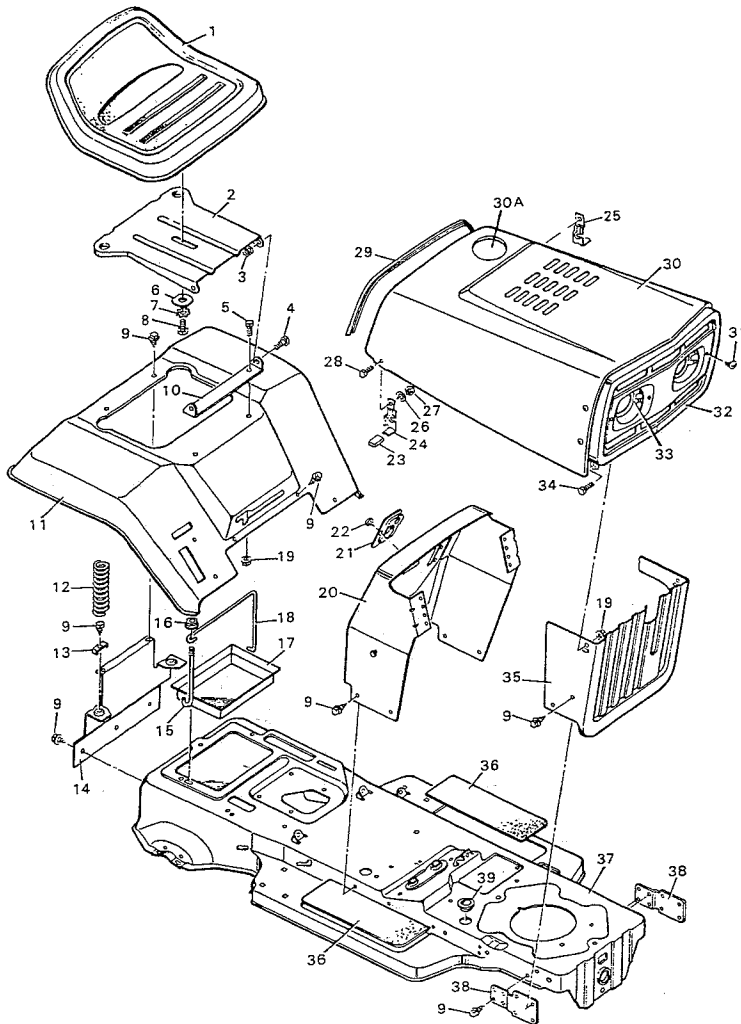


MODEL 2-36503

BODY PARTS

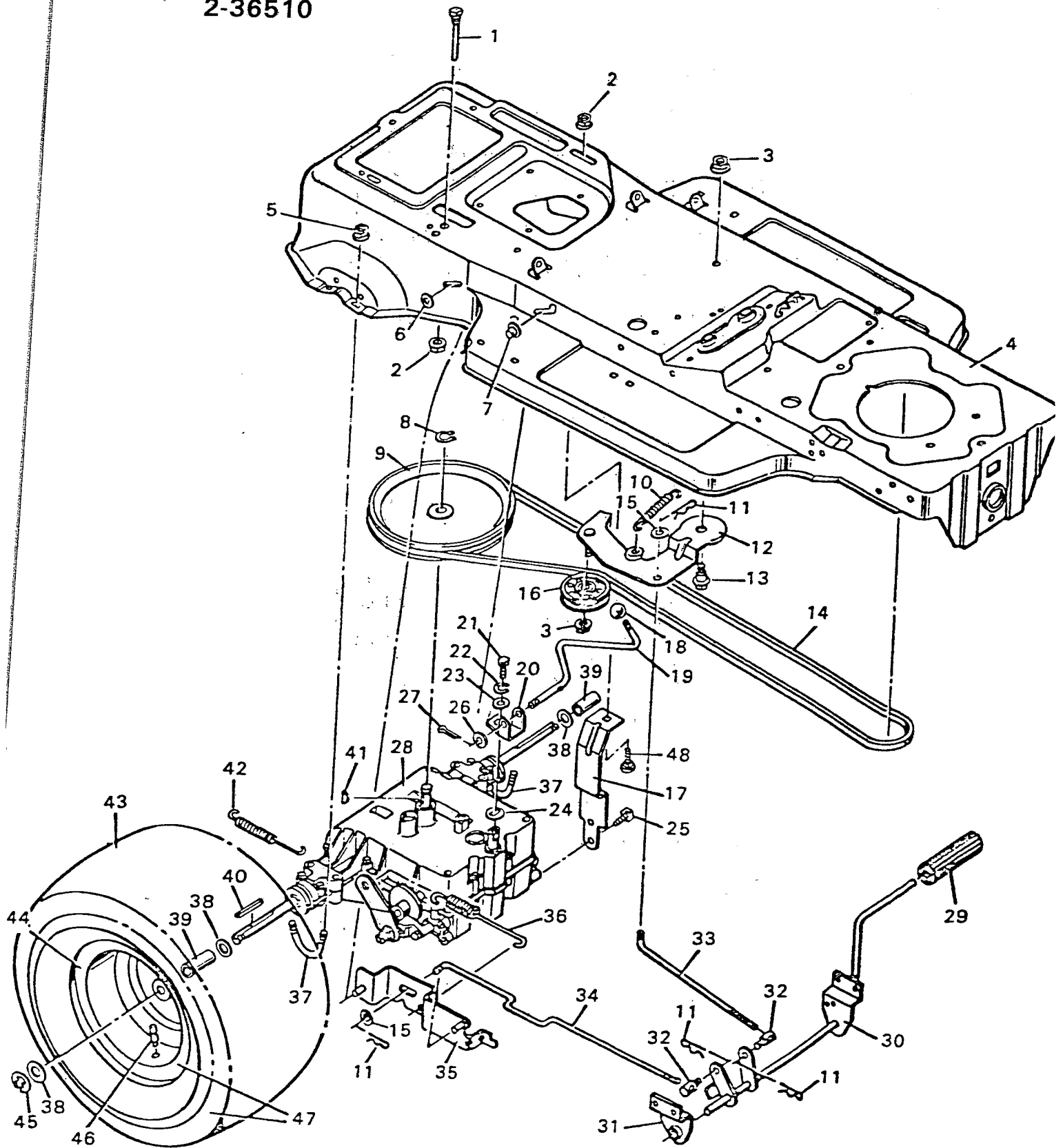
KEY NO.	DESCRIPTION	PART NO.
1	Seat Assembly	24621
2	Seat Support	90032
3	Flange Locknut 3/8"-16	15X84
4	Shoulder Bolt 3/8"-16X7/8"	9X15
5	Hex Bolt 5/16"-18X 1/2"	1X92
6	Washer	20663Z
7	Shakeproof Washer	19X36
8	Hex Bolt 1/2"-13X 3/4"	1X88
9	Screw	26X49
10	Pivot Bracket	90031
11	Seat Deck	90186
12	Spring	164X11
13	Spring Retainer	90014
14	Seat Deck Support	90007
15	Clamp Rod-Battery	90012Z
16	Flange Hex Nut 1/4"-20	15X82Z
17	Battery Tray	24157
18	Battery Hold-down Wire	90158Z
19	Flange Locknut 5/16"-18	15X88
20	Dashboard Assembly	90166
21	Bearing - Steering Post	90081
22	Screw	26X186
23	Grip - Hood Latch*	21434
24	Hood Latch - R.H.*	90146
25	Hood Latch - L.H.*	90147
26	Washer*	17X17Z
27	Hex Nut # 10-24*	15X81
28	Machine Screw # 10-24X 1/2"*	4X20Z
29	Edge Trim*	21765
30	Hood Assembly - Without hole	90168
30A	Hood Assembly with Hole	90267
31	Tapping Screw	26X159
32	Upper Grille Assembly	21706C
33	Headlight Retainer	21720E
34	Hex Bolt 5/16"-18X5/8"	1X45
35	Lower Grille	90141
36	Mat - Foot Rest	90148
37	Frame Channel	90001
38	Grille Bracket	90143
39	Grommet	21268

* NOTE: These numbers are included with key no. 30.



MODEL 2-36503
2-36504
2-36510

DRIVE PARTS



KEY NO.	DESCRIPTION	PART NO.
1	Guide Bolt	20619
2	Flange Nut 5/16"-18	15X79
3	Flange Locknut 3/8"-18	15X84
4	Frame Channel	90001
5	Flange Locknut 5/16"-18	15X88
6	Push Nut	28X44
7	Cap Retainer	90145
8	Retainer Ring	11X7
9	Pulley	90190
10	Extension Spring	165X31
11	Hairpin	20692
12	Idler Bracket Assembly	90011Z
13	Shoulder Bolt 3/8"-16X7/8"	9X12
14	Drive Belt	37X35
15	Washer	17X53Z
16	Idler Pulley	21409
17	Transaxle Support	90173
18	Knob - Shift Lever	20739
19	Shift Lever	90187Z
20	Shifter Yoke	90183Z
21	Hex Bolt 1/4"-28X1/2"	1X82
22	Lockwasher	18X32
23	Washer	17X32
24	Washer	17X134
25	Screw	26X207
26	Washer	17X102Z
27	Cotter Pin	30X20
28	Transaxlet	90229
29	Clutch and Brake Pedal	21544
30	Lever Assembly	90027
31	Support Bracket	90013
32	Adjusting Nut	21920
33	Clutch Rod	90066Z
34	Brake Rod	90067Z
35	Brake Link Assembly	90068Z
36	Brake Spring	165X21
37	U-Bolt	90017Z
38	Transaxle Washer	21521
39	Axle Spacer	87X63Z
40	Square Key 3/16"X2"	21553
41	Woodruff Key No. 9	20697
42	Spring	165X34
43	Tire Only*	24375
44	Wheel Only*	24351E
45	E-Ring	11X3
46	Valve Stem and Cap*	24373
47	Wheel and Tire Assembly	24377
48	Carriage Bolt 5/16"-18X3/4"	2X53Z

* NOTE: These Parts are included with key no. 47. When ordering replacement parts specify the brand name of the tire to insure that tread patterns on tire match. Complete illustration of transaxle on page 92-93.

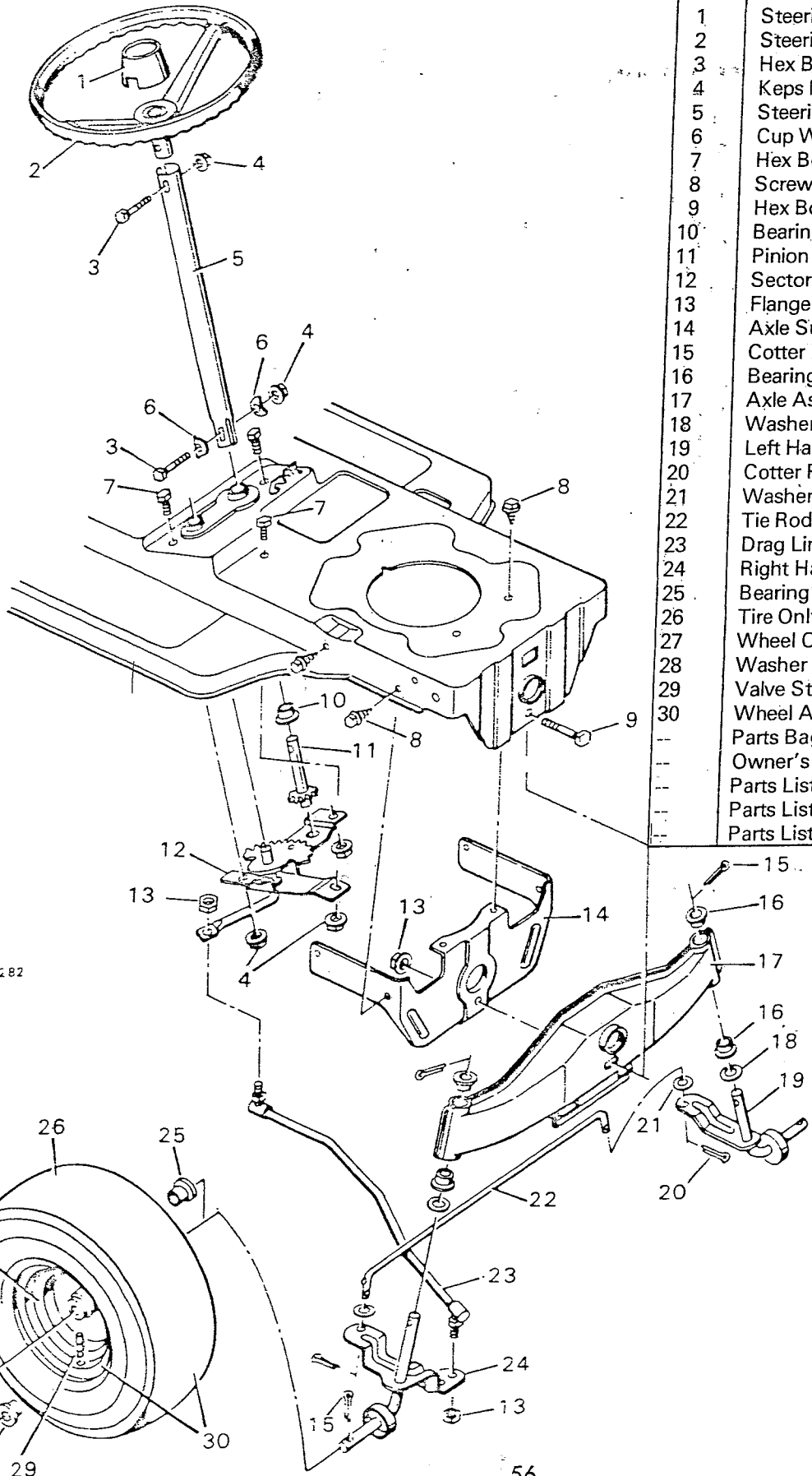
MODEL 2-36503

2-36504

2-36510

STEERING PARTS

KEY NO.	DESCRIPTION	PART NO.
1	Steering Wheel Cap	403163
2	Steering Wheel	90126PA
3	Hex Bolt 5/16"-18X1 1/2"	1X102
4	Keys Nut	15X88
5	Steering Post	90130C
6	Cup Washer	17X132
7	Hex Bolt 5/16"-18X5/8"	1X45
8	Screw	26X49
9	Hex Bolt 3/8"-24X3 1/4"	1X101
10	Bearing	90096
11	Pinion Gear & Shaft	90132
12	Sector Gear Assembly	90025
13	Flange Locknut 3/8"-24	15X87
14	Axle Support - Front	90002
15	Cotter Pin	30X49
16	Bearing	90035
17	Axle Assembly	90034
18	Washer	17X113
19	Left Hand Spindle Assembly	90037
20	Cotter Pin	30X20
21	Washer	17X57
22	Tie Rod	90038
23	Drag Link Assembly	90041
24	Right Hand Spindle Assembly	90036
25	Bearing*	24367
26	Tire Only*	24376
27	Wheel Only*	24355E
28	Washer	17X83Z
29	Valve Stem & Cap*	24373
30	Wheel Assembly	24378
--	Parts Bag Assembly	90328
--	Owner's Manual	F-5607
--	Parts List - 36503	F-5890
--	Parts List - 36504	F-5891
--	Parts List - 36510	F-5774

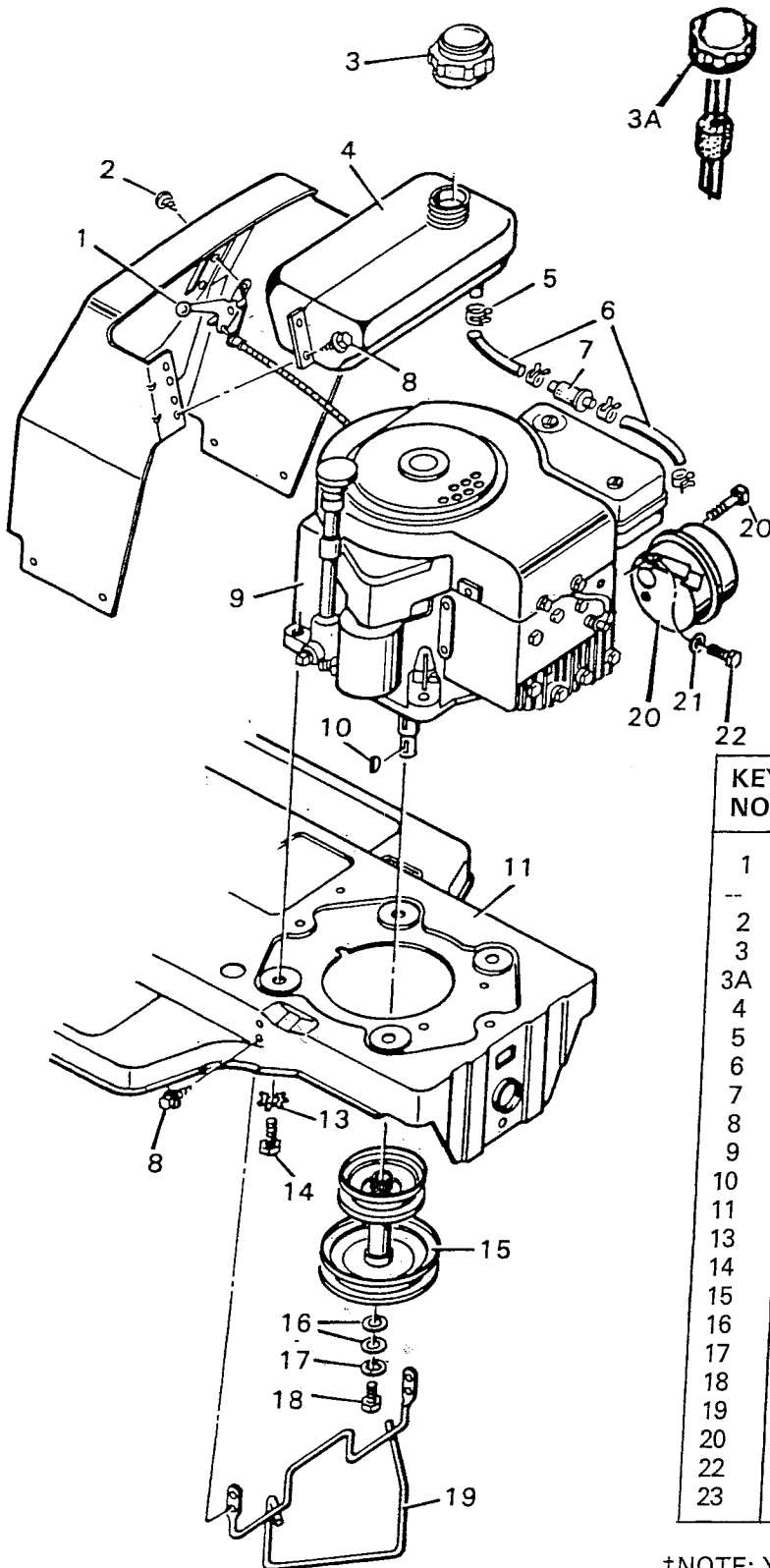


MODEL 2-36503

2-36504

2-36510

ENGINE MOUNT

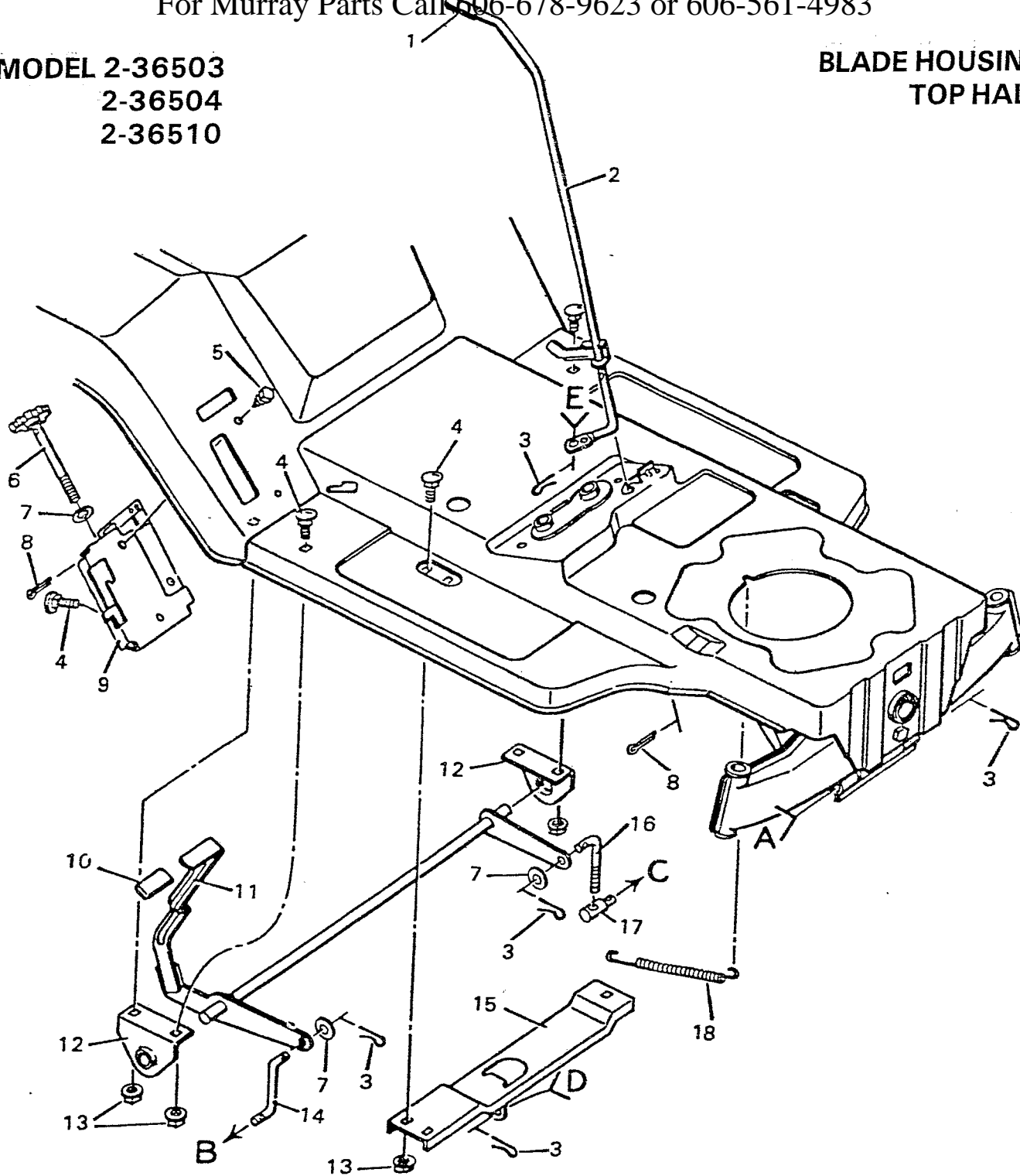


KEY NO.	DESCRIPTION	PART NO.
1	Throttle Control & Cable.	90095
--	Knob - Throttle Control	20339
2	Tapping Screw	26X159
3	Gas Cap	23711
3A	Gas Cap w/Gauge	24064
4	Gas Tank	23300
5	Hose Clamp	23713
6	Fuel Line	23715
7	Filter	24159
8	Tapping Screw	26X214
9	Engine †	----
10	Woodruff Key No. 6	20062
11	Frame Channel	90001
13	Shakeproof Washer	19X8
14	Bolt - Engine Mount	20103
15	Stack Pulley Assembly	90329Z
16	Washer	10851Z
17	Shakeproof Washer	19X39
18	Hex Bolt 3/8"-24X1"	1X20
19	Belt Guide Assembly	90276Z
20	Muffler	90330PA
22	Hex Bolt 5/16"-18X3 1/4"	1X118
23	Heat Shield	90332

†NOTE: Your Engine Model, Type & Code Number is stamped on the Blower Housing. All parts pertaining to the engine are available from the Briggs & Stratton Parts and Service Station listed in the yellow pages of the classified Telephone Directory.

MODEL 2-36503
2-36504
2-36510

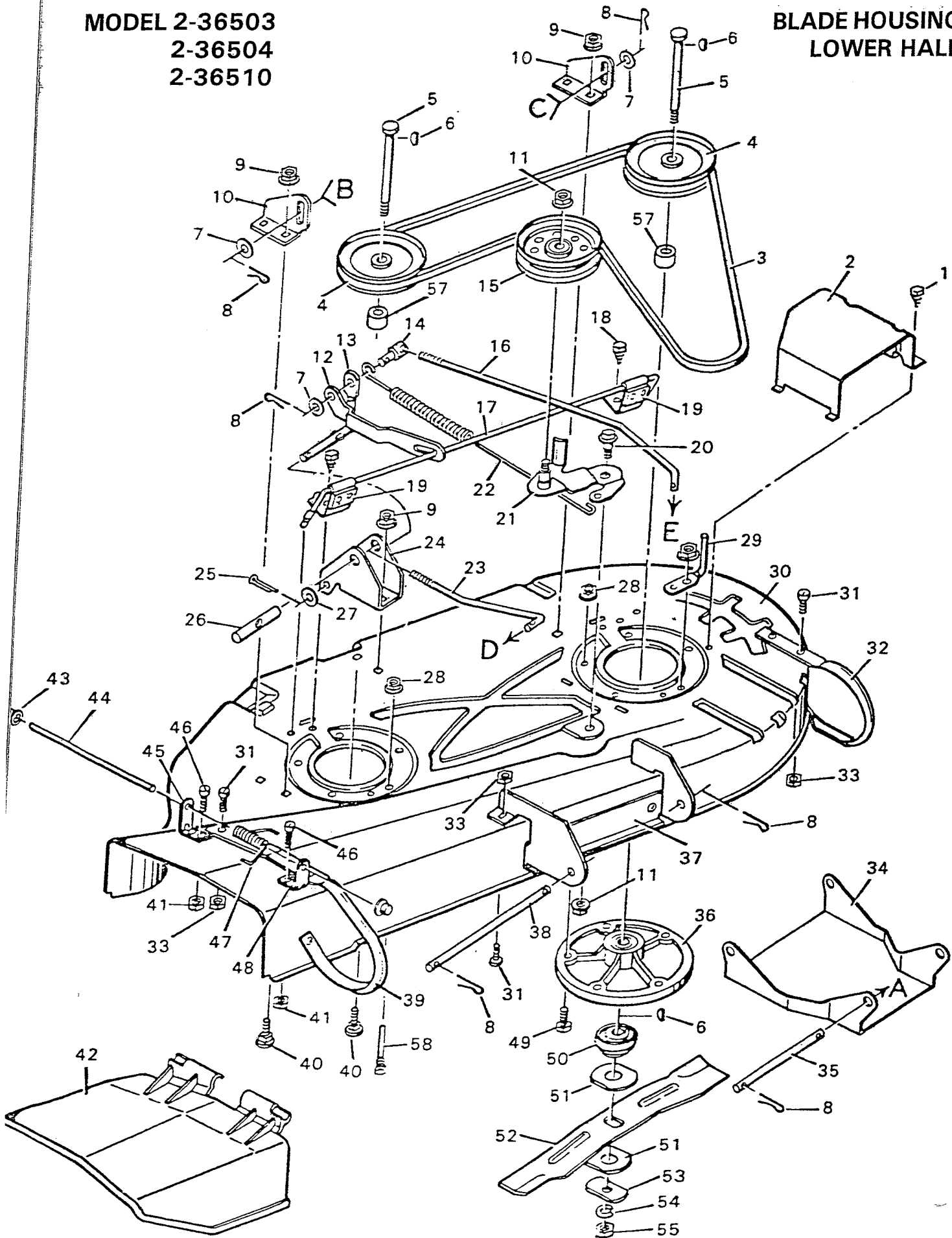
BLADE HOUSING
TOP HALF



KEY NO.	DESCRIPTION	PART NO.	KEY NO.	DESCRIPTION	PART NO.
1	Grip	20476	10	Grip	23340
2	Control Lever Assembly	90030Z	11	Lifter Assembly	90043
3	Hair Pin	75336	12	Hanger Bracket	90042
4	Carriage Bolt	2X53	13	Hex Flange Nut	15X79
5	Screw	26X49	14	Lifter Rod	90099Z
6	Adjusting Screw Assembly	90078Z	15	Support Channel	90028
7	Washer	17X53Z	16	Adjusting Rod	90100Z
8	Cotter Pin	30X20	17	Adjusting Nut	21920
9	Height Adjuster Brkt. Assembly	404063	18	Spring	165X32

MODEL 2-36503
2-36504
2-36510

BLADE HOUSING
LOWER HALF



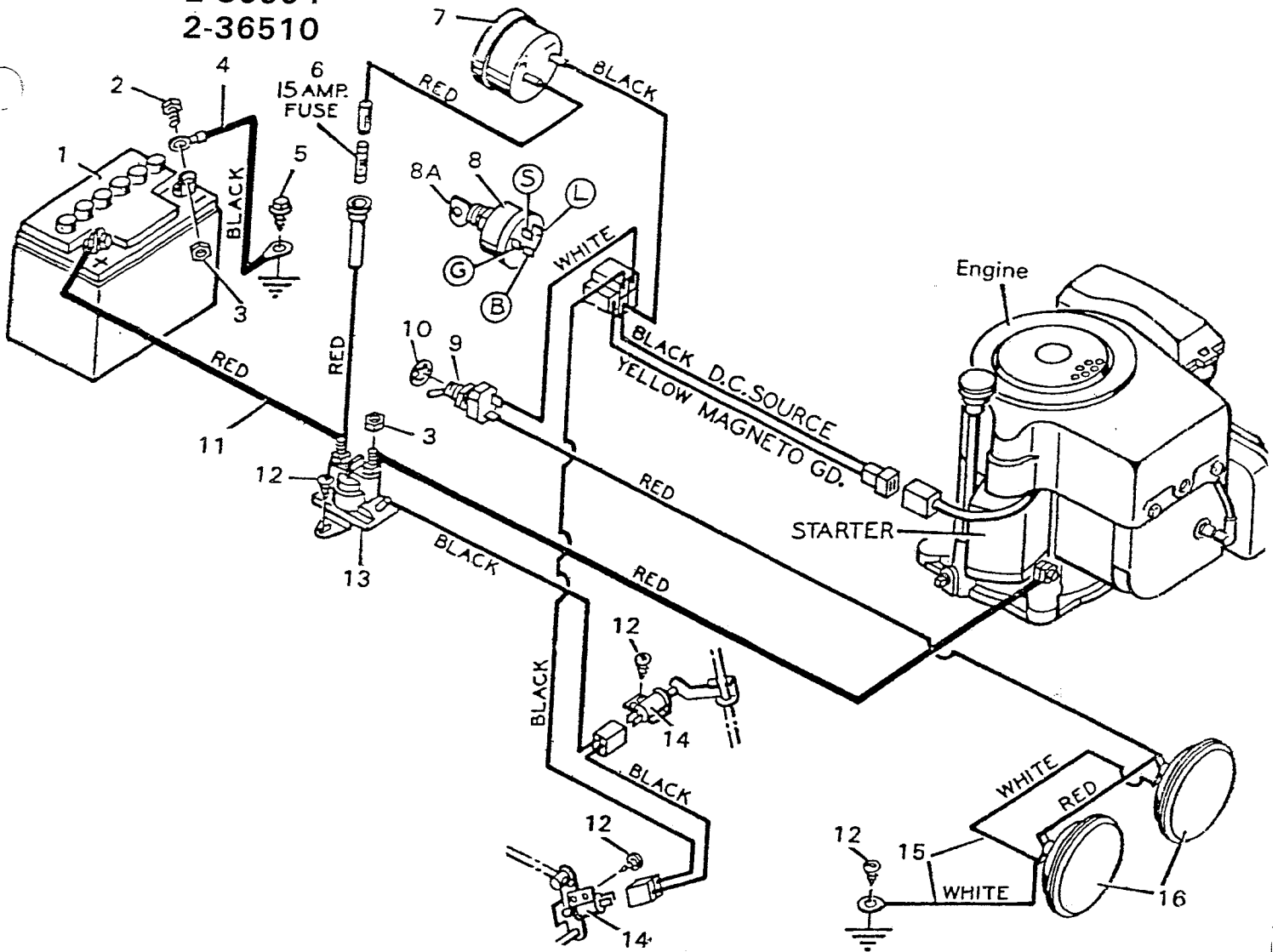
MODEL 2-36503
2-36504
2-36510

PARTS LIST

BLADE HOUSING
LOWER HALF

KEY NO.	DESCRIPTION	PART NO.
1	Screw	26X185
2	Pulley Cover	90117
3	Belt—Blade Drive	37X39
4	Jackshaft Pulley	23739
5	Jackshaft	24578
6	Woodruff Key No. 6	20062
7	Washer	17X53Z
8	Hairpin	75336
9	Flange Nut 5/16"-18*	15X79
10	Lifter Bracket*	90103
11	Flange Locknut 3/8"-16	15X84
12	Brake Bar	90121Z
13	Pivot Lever	90113Z
14	Adjusting Nut	90115
15	Idler Pulley	90118
16	Control Rod	90114Z
17	Blade Brake Rod	90122Z
18	Screw	26X214
19	Spring Assembly	90123
20	Shoulder Bolt 3/8"-16X7/8"	9X12
21	Idler Bracket Assembly	90110Z
22	Spring	165X33
23	Link Rod	90108Z
24	Rear Hanger Bracket*	90104
25	Cotter Pin	30X20
26	Adjusting Bar	90109
27	Washer	17X102
28	Flange Locknut 5/16"-18	15X88
29	Belt Guide	90120Z
30	Mower Housing	90101 91089
	Complete Blade Housing	407918
31	Machine Screw 1/4"-20X1/2"*	4X24
32	Left Hand Skid*	21945
33	Locknut 1/4"-20*	15X67
34	Front Hanger	90106
35	Hanger Rod	90133Z
36	Jackshaft Housing Assembly	24384
37	Front Hanger Bracket*	90105
38	Hanger Rod	90107Z
39	Right Hand Skid*	21944
40	Carriage Bolt 5/16"-18X5/8"*	2X53
41	Hex Nut # 10-24*	15X81
42	Chute Deflector	21154
43	Push On Cap	28X23
44	Deflector Rod	21198Z
45	Rear Deflector Bracket*	21187
46	Machine Screw # 10-24X5/8*	4X21
47	Torsion Spring	166X4
48	Front Deflector Bracket*	21186
49	Hex Bolt 5/16"-18X1"	1X84
50	Blade Adapter	20617
51	Blade Washer	21673Z
52	Blade - 36"	20930
53	Washer	20663Z
54	Lockwasher	18X27
56	Hex Nut - Blade Mount 1/2"-20	15X72
57	Jackshaft Spacer	24533Z
58	Guide Screw	20619

* NOTE: These numbers are included with key no. 30.



KEY NO.	DESCRIPTION	PART NO.
1	Battery - 30 AMP HOUR	90154
--	Electrolyte (Battery Acid)	90171
2	Hex Bolt 1/4"-20X5/8"	1X38
3	Keps Nut 1/4"-20	15X66
4	Battery Cable - Black	24X9
5	Screw	26X49
6	Slow-Blowing Fuse	23752
7	Ammeter Assembly	21057PA
8	Key Switch W/A.C. Term	21064PA
8A	Key & Ring-Only	20729
9	Light Switch	20899PA
10	Shakeproof Washer	19X36
11	Battery Cable	24X17
12	Screw	26X185
13	Solenoid	24285
14	Safety Switch	24273
15	Ground Wire - Lighting Harness	90156
16	Sealed Beam Lamp	23757
*	Wiring Harness	90062
*	Owners Manual	F-5607

*Not Illustrated.