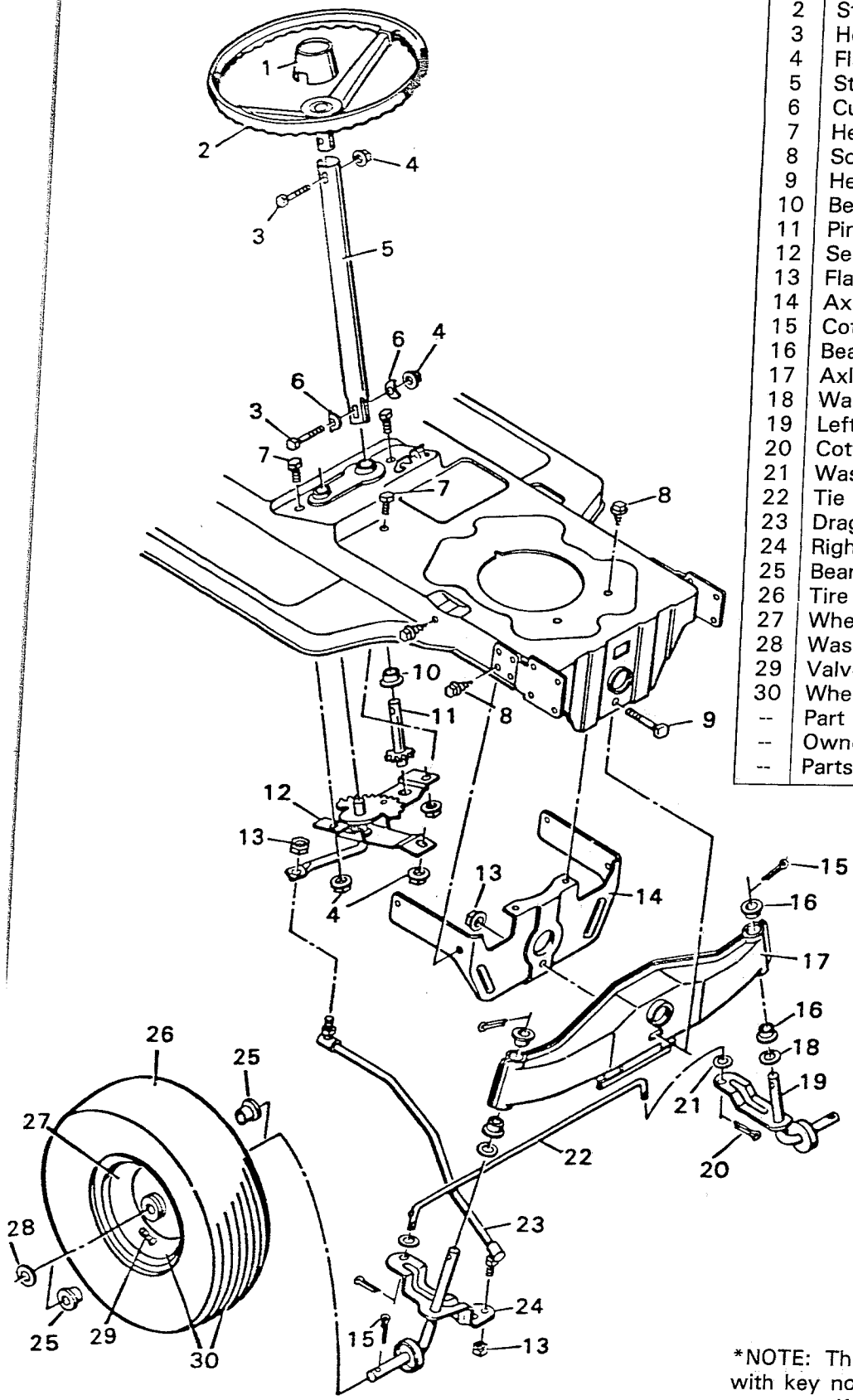


KEY NO.	DESCRIPTION	PART NO.
1	Seat-Single Bolt Mount	24621
	Seat-Four Bolt Mount	90368
2	Seat Support-Single & Four Bolt	90032
3	Flange Locknut 3/8"-16	15X84
4	Shoulder Bolt 3/8"-16X7/8"	9X15
5	Hex Bolt 5/16"-18X1/2"	1X92
6	Washer	20663Z
7	Shakeproof Washer	19X36
8	Hex Bolt 1/2"-13X3/4"	1X88
9	Screw	26X49
10	Pivot Bracket	90031
11	Seat Deck	90182
12	Spring	164X11
13	Spring Retainer	90014
14	Seat Deck Support	90007
15	Clamp Rod-Battery	90355Z
16	Flange Hex Nut 1/4"-20	15X82Z
17	Battery Tray	24157
18	Battery Hold-Down Wire	90021Z
19	Flange Locknut 5/16"-18	15X88
20	Dashboard Assembly	90198
21	Bearing-Steering Post	90081
22	Screw	26X186
23	Grip-Hood Latch *	21434
24	Hood Latch-R.H. *	90246
25	Hood Latch-L.H. *	90247
26	Washer *	17X71Z
27	Hex Nut #10-24X1/2"*	15X81
28	Machine Screw #10-24X1/2"	4X20Z
29	Edge Trim *	21765
30	Hood Assembly-without hole	90168
32	Upper Grille Assembly	21712C
34	Hex Bolt 5.16"-18X5/8"	1X45
35	Lower Grille	90141
36	Mat - Foot Rest	90148
37	Frame Channel	90000
38	Grille Bracket	90143
39	Grommet	21268
40	Washer	17X47Z

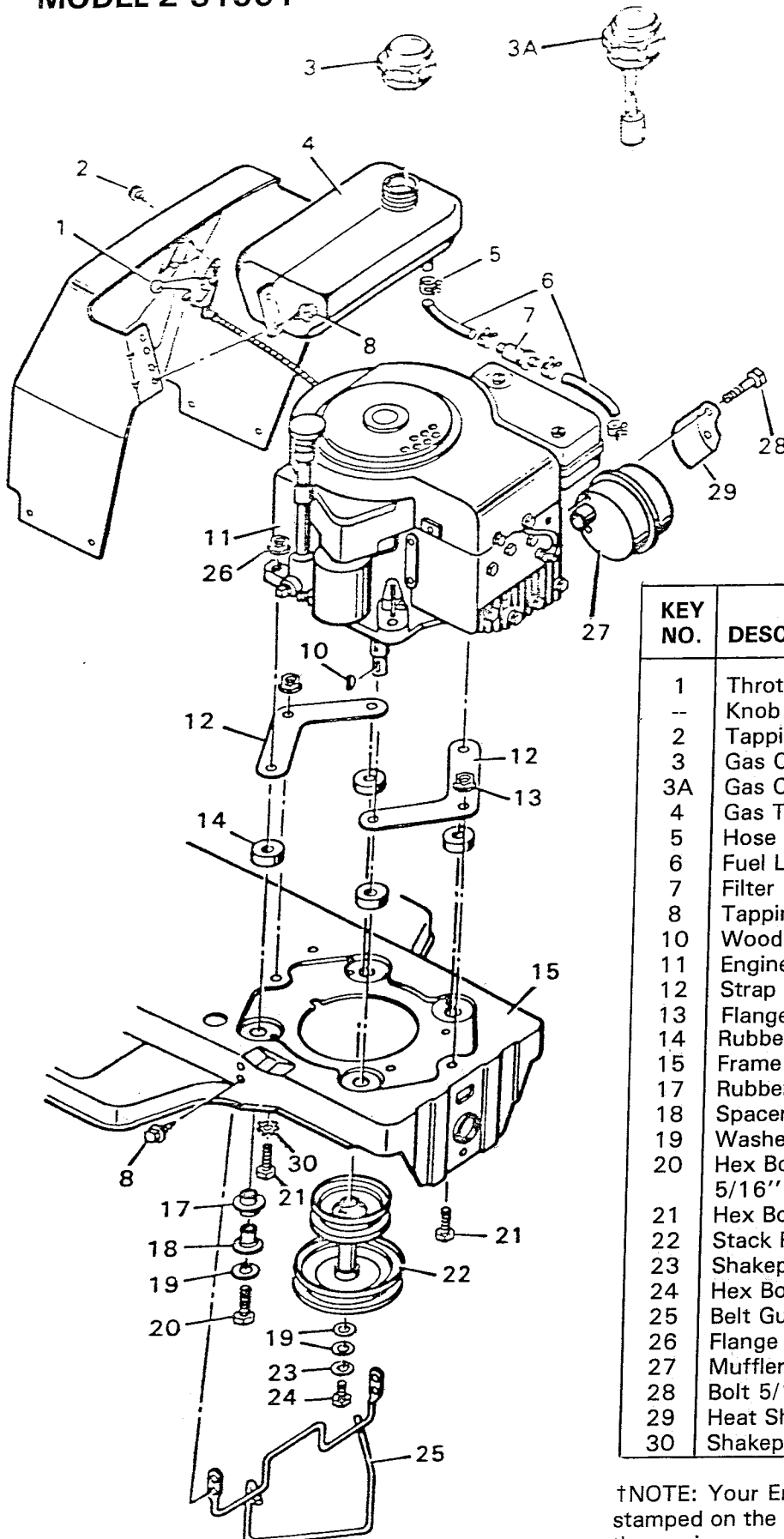
*NOTE: These numbers are included in with key no. 30

STEERING PARTS

KEY NO.	DESCRIPTION	PART NO.
1	Steering Wheel Cap	2357
2	Steering Wheel	9012
3	Hex Bolt 5/16"-18X1-1/2"	1X10
4	Flange Locknut 5/16"-18	15X8
5	Steering Post	9013C
6	Cup Washer	17X13
7	Hex Bolt 3/8"-24X3 1/4"	1X45
8	Screw	26X4
9	Hex Bolt 3/8"-24X3 1/4"	1X10
10	Bearing	9009
11	Pinion Gear & Shaft	9013
12	Sector Gear Assembly	9002
13	Flange Locknut 3/8"-24	15X8
14	Axle Support-Front	9000
15	Cotter Pin	30X45
16	Bearing	9003
17	Axle Assembly	9003A
18	Washer	17X11
19	Left Hand Spindle Assembly	90139
20	Cotter Pin	30X20
21	Washer	17X57
22	Tie Rod	90038
23	Drag Link Assembly	90041
24	Right Hand Spindle Assembly	90138
25	Bearing*	24367
26	Tire Only*	24407
27	Wheel Only*	24406E
28	Washer	17X38
29	Valve Stem & Cap*	24375
30	Wheel Assembly	24403
--	Part Bag Assy.	90328
--	Owner's Manual	F-5605
--	Parts List	F-5606



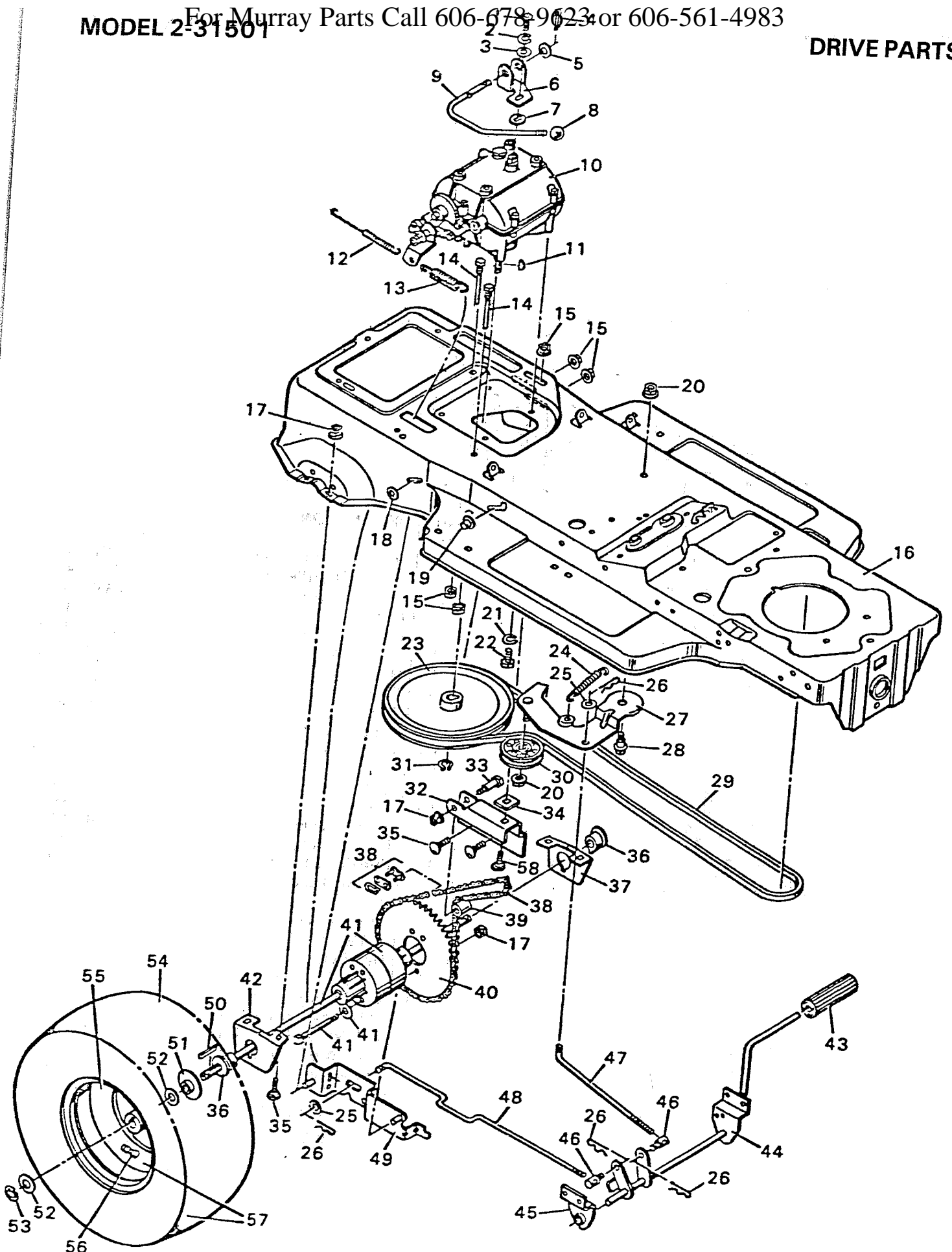
*NOTE: These key numbers are included in with key no. 30. When ordering replacement parts specify the brand name of the tire to insure that thread patterns of the tire match.



KEY NO.	DESCRIPTION	PART NO.
1	Throttle Control & Cable	90095
--	Knob - Throttle Control	20339
2	Tapping Screw	26X159
3	Gas Cap	23711
3A	Gas Cap with Gauge	24064
4	Gas Tank	23300
5	Hose Clamp	23713
6	Fuel Line	23715
7	Filter	24159
8	Tapping Screw	26X214
10	Woodruff Key No. 6	20062
11	Engine †	----
12	Strap	90023Z
13	Flange Locknut	15X88
14	Rubber Load Mount	24589
15	Frame Channel	90000
17	Rubber Rebound Mount	24590
18	Spacer Tube	24591
19	Washer	10851Z
20	Hex Bolt-Engine Mount 5/16" - 24X2 1/2"	1X107
21	Hex Bolt 5/16"-18X5/8"	1X45
22	Stack Pulley Assembly	90329Z
23	Shakeproof Washer	19X39
24	Hex Bolt 3/8"-24X1"	1X20
25	Belt Guide Assembly	90276Z
26	Flange Locknut 5/16-24	15X90Z
27	Muffer	90331PA
28	Bolt 5/16"-18X3 1/4"	1X117
29	Heat Shield	90333
30	Shakeproof Washer	19X6

†NOTE: Your Engine Model, Type & Code Number is stamped on the Blower Housing. All parts pertaining to the engine are available from the Briggs and Stratton Parts and Service Station listed in the yellow pages of the classified Telephone Directory.

D 5247



F-5992

MODEL 2-31501

DRIVE PARTS

KEY NO.	DESCRIPTION	PART NO.
1	Hex Bolt ¼"-28X½"	1X82
2	Spring Lockwasher	18X30
3	Washer	17X32Z
4	Cotter Pin	30X20
6	Shifter Yoke	90183Z
7	Washer	17X134
8	Shift Lever Knob	20739
9	Shift Lever	90192Z
10	Transmission †	90224
11	Woodruff Key No. 9	20697
12	Spring	165X34
13	Spring	165X7
14	Guide Screw	20619
15	Flange Locknut 5/16"-18	15X79Z
16	Frame Channel	90000
17	Flange Locknut 5/16"-18	15X88
18	Push Nut	28X44
19	Cap Retainer	90145
20	Flange Nut 3/8"-16	15X84
21	Spring Lockwasher	18X15
22	Hex Bolt 5/16"-18X3/4"	1X91
23	Pulley	90190
24	Extension Spring	165X31
25	Washer	17X53Z
26	Hairpin	20692
27	Idler Bracket Assembly	90011Z
28	Shoulder Bolt 3/8"-16X7/8"	9X12
29	Drive Belt	37X27
30	Idler Pulley	21409
31	Retainer Ring	11X7
32	Chain Idler Bracket	90345Z
33	Shoulder Bolt 5/16"-18X1.72"	9X22
34	Spacer	90177Z
35	Carriage Bolt 5/16"-18X5/8"	2X53Z
36	Axle Bearing	90225
37	Bearing Plate-L.H.	90347Z
38	Roller Chain & Link	90348
39	Roller	90176
40	Sprocket - 50T	90188
41	Differential	90226
42	Bearing Plate-R.H.	90346Z
43	Clutch and Brake Pedal	21544
44	Lever Assembly	90027
45	Support Bracket	90013
46	Adjusting Nut	21920
47	Clutch Rod	90066Z
48	Brake Rod	90067Z
49	Brake Link Assembly	90068Z
50	Square Key-3/16"	21553
51	Extruded Washer	23041Z
52	Transaxle Washer	17X113
53	E-Ring	11X3
54	Tire Only*	24393
55	Wheel Only*	24391E
56	Valve Stem and Cap*	24373
57	Rear Wheel—Complete	24392
58	Carriage Bolt 5/16"-18X3/4"	2X64

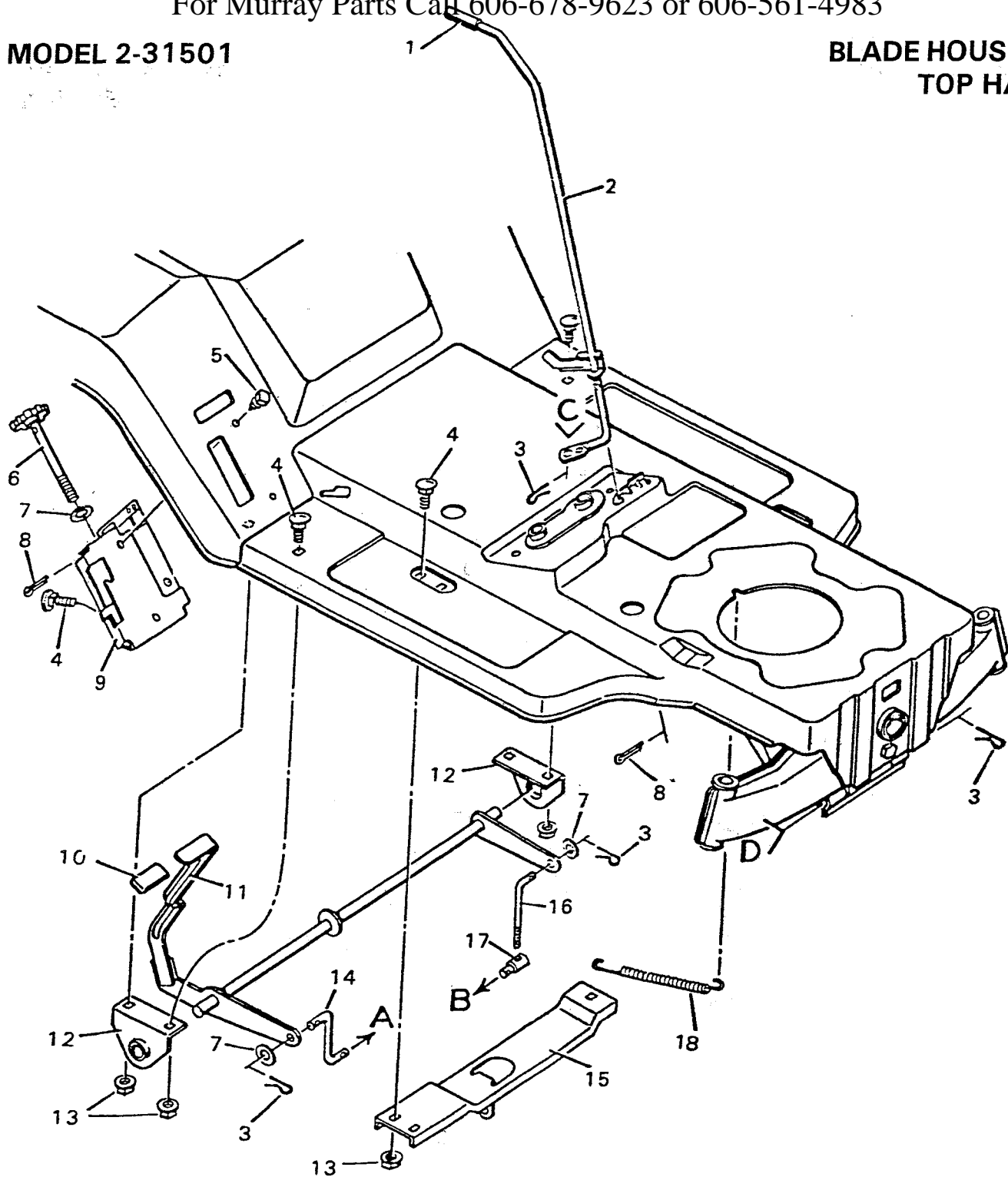
†NOTE: Complete illustrations of transmission shown on page 98-99.

**NOTE: Complete illustration of differential shown on page 91.

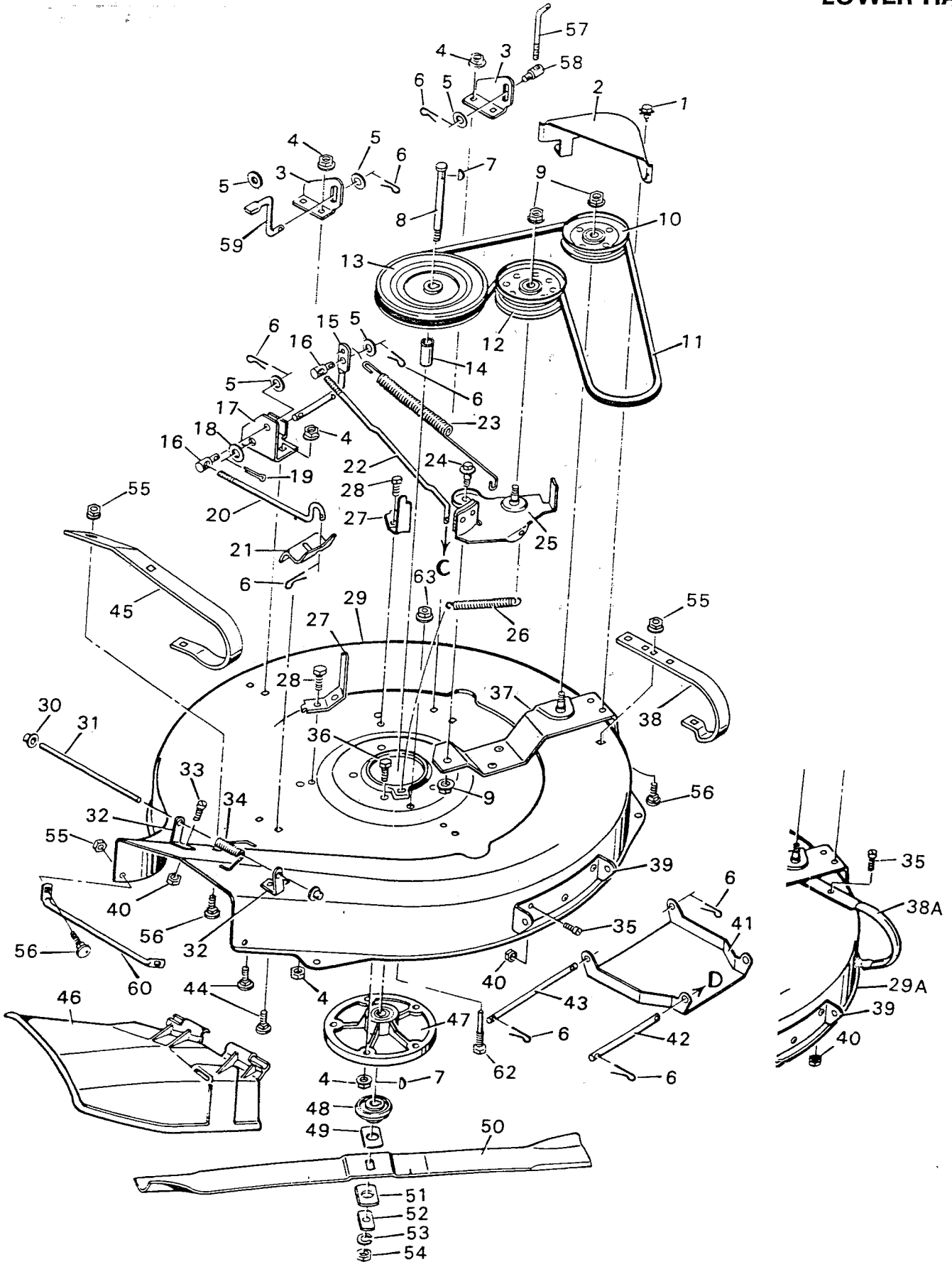
*NOTE: These key numbers are included in with Key No. 57. When ordering replacement parts specify the brand name of the tire to insure that tread patterns of the tire match.

MODEL 2-31501

BLADE HOUSING
TOP HALF



KEY NO.	DESCRIPTION	PART NO.	KEY NO.	DESCRIPTION	PART NO.
1	Grip	20476	10	Grip	23340
2	Control Lever Assembly	90030Z	11	Lifter Assembly	90043
3	Hair Pin	75336	12	Hanger Bracket	90042
4	Carriage Bolt	2X53	13	Hex Flange Nut	15X79
5	Screw	26X49	14	Hanger Rod	90293Z
6	Adjusting Screw Assembly	90078Z	15	Support Channel	90028
7	Washer	17X53Z	16	Adjusting Rod	90100Z
8	Cotter Pin	30X20	17	Adjusting Nut	21920
9	Height Adjuster Brkt. Assembly	404063	18	Spring	165X32



MODEL 2-31501

**BLADE HOUSING
LOWER HALF**

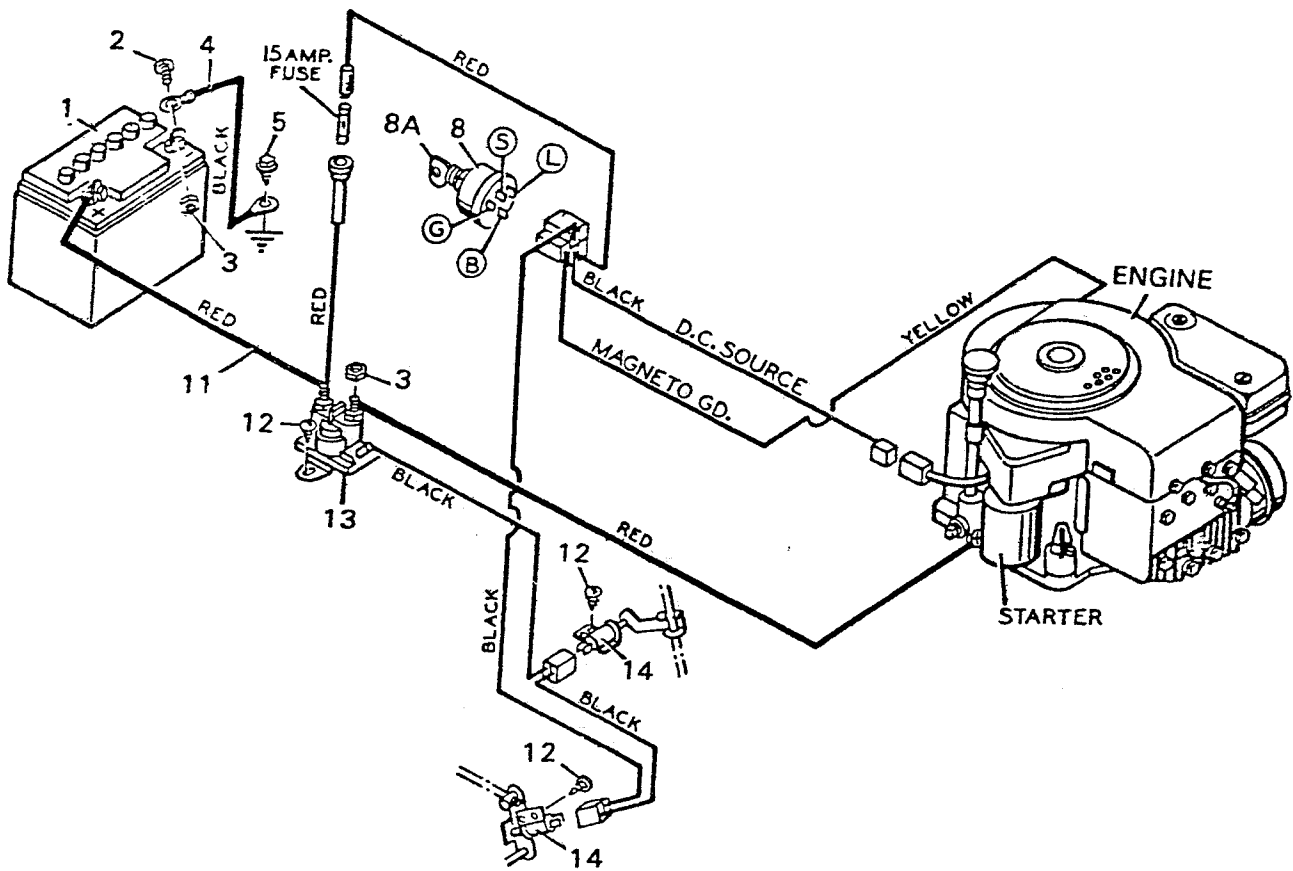
KEY NO.	DESCRIPTION	PART NO.	KEY NO.	DESCRIPTION	PART NO.
1	Tapping Screw	26X214	33	Machine Screw	4X24
2	Pulley Cover	90260	34	Torsion Spring	166X4
3	Lifter Bracket	90103	35	Hex Bolt	1X38
4	Flange Locknut 5/16"-18	15X88	36	Hex Bolt	1X84
5	Washer	17X53Z	37	Idler Mount Assembly	90257
6	Hairpin	75336	38	L.H. Skid-Flat Stock	90353
7	Woodruff Key No. 6	20062	38A	L.H. Skid-Curved Stock	24633
8	Jackshaft	24578	39	Front Hanger Bracket*	90233
9	Flange Locknut 3/8"-16	15X84	40	Locknut*	15X67
10	Pulley	90315	41	Hanger	90232
11	Blade Drive Belt	37X34	42	Hanger Rod	90133Z
12	Idler Pulley	90118	43	Hanger Rod	90107Z
13	Pulley	90242	44	Carriage Bolt	2X53
14	Jackshaft Spacer	24533Z	45	R.H. Skid Flat Stock	90352
15	Pivot Lever	90339Z	45A	R.H. Skid-Curved Stock	24634
16	Adjusting Nut	21920	46	Chute Deflector	24540
17	Rear Support Bracket	90254	47	Jackshaft Housing Assembly	24384
18	Washer	17X102Z	48	Blade Adapter	20617
19	Cotter Pin	30X20	49	Washer	24614Z
20	Deck Link	90261Z	50	Blade - 30-inch	24525
21	Link Retainer	90262Z	51	Washer	21673Z
22	Control Rod	90253Z	52	Blade Washer	20663Z
23	Spring	165X36	53	Lockwasher	18X27
24	Shoulder Bolt	9X15Z	54	Blade Mount Nut	15X72
25	Brake & Idler Assembly	90342	55	Hex Nut	15X89
26	Extension Spring	165X37	56	Carriage Bolt	2X67
27	Belt Guide (3)	24518Z	57	Adjusting Rod	90100Z
28	Hex Bolt 5/16"-18X5/8"	1X45	58	Adjusting Nut	21920
29	Blade Housing Assembly*	90358	59	Lifter Rod	90293Z
29A	Blade Housing Assembly†	90265	60	Horn Guard	20581
30	Push On Cap	28X23	61	Screw	6X67
31	Deflector Rod	21197Z	62	Guide Screw	20619
32	Chute Deflector Bracket	21185	63	Flange Locknut	15X79

* Blade Housing includes Key No's 32, 33, 35, 37, 38, 39, 40, 45, 55, 56.

†Blade Housing includes Key No's. 32, 33, 35, 37, 38A, 39, 40, 45A.

MODEL 2-31501

WIRING DIAGRAM



KEY NO.	DESCRIPTION	PART NO.
1	Battery	23095
--	Electrolyte (Battery Acid)	24903
2	Hex Bolt 1/4"-20X5/8"	1X38
3	Keps Nut 1/4"-20	15X66
4	Battery Cable - Black	24X9
5	Screw	26X49
6	Slow-Blowing Fuse-15 Amp.	23752
8	Key Switch W/AC Terminal	21064PA
8A	Key & Ring-Only	20729
11	Battery Cable	24X17
12	Screw	26X185
13	Solenoid	24285
14	Safety Switch	24273
*	Wiring Harness	90266
*	Owners Manual	F-5605

*Not Illustrated.