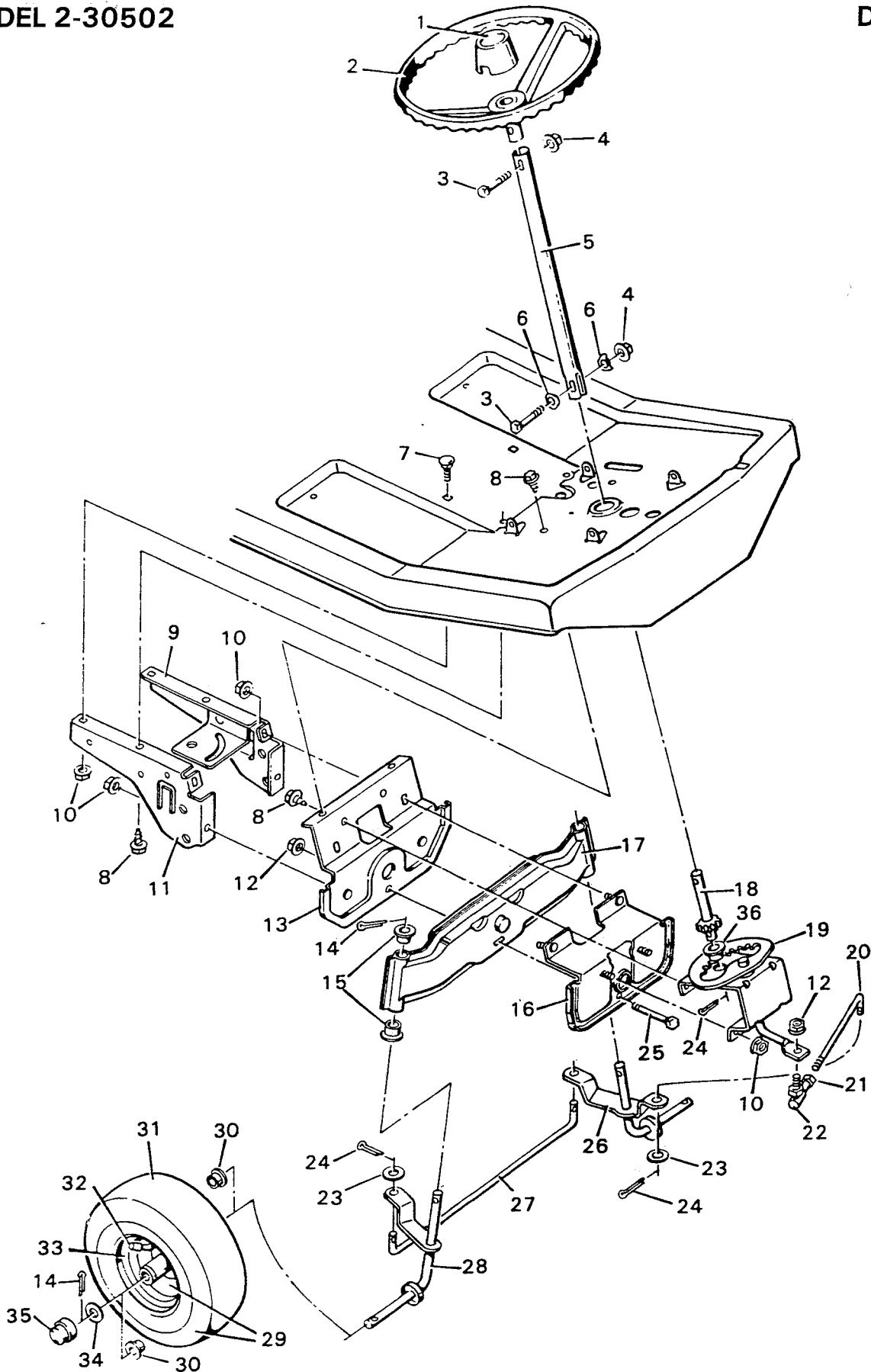


MODEL 2-30501
MODEL 2-30502

STEERING PARTS
DRAWING

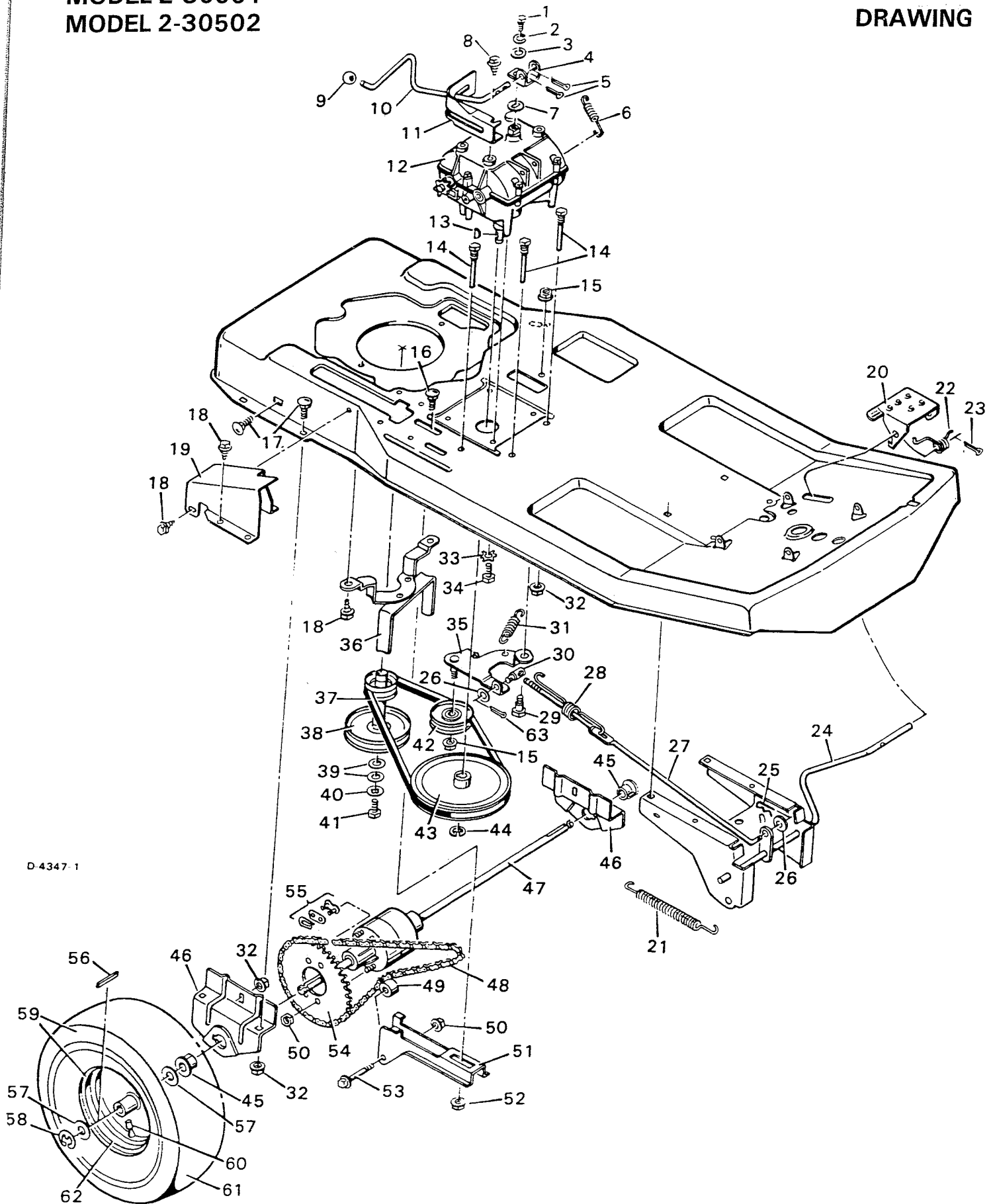


KEY NO.	DESCRIPTION	PART NO.
1	Cap-Steering Wheel	23573
2	Steering Wheel	90126
3	Hex Bolt 5/16"-18X1½"	1X102
4	Flange Locknut 5/16"-13	15X88
5	Steering Post	90130C
6	Formed Cup Washer	17X132
7	Carriage Bolt 5/16"-18X5/8"	2X53
8	Tapping Screw	26X49
9	Left Suspension Plate	55116
10	Flange Hex Nut	15X79
11	Right Suspension Plate	55118
12	Flange Locknut 3/8"-24	15X87
13	Front Axle Support Assembly	55056
14	Cotter Pin	30X49
15	Spindle Bearing	55003
16	Front Axle Hanger Assembly	55058
17	Front Axle Assembly	55024
18	Pinion Gear	55001
19	Sector Assembly	55041
20	Drag Link	55046
21	Hex Nut 3/8"-24	15X61
22	Steering Ball Joint	21031
23	Washer	17X53
24	Cotter Pin	30X20
25	Hex Bolt 3/8"-24X2-3/8"	1X69
26	Left Spindle Assembly	55039
27	Tie Rod	55026
28	Right Spindle Assembly	55038
29	Wheel & Tire Assembly	24395
30	Bearing*	24368
31	Tire Only*	24394
32	Valve Stem & Cap*	24373
33	Wheel Only*	24364E
34	Washer	24583
35	Hub Cap	24582
36	Bearing	55168
--	Parts Bag Assy. (2-30501)	55147
--	Parts Bag Assy. 2-30502	55146
--	Owner's Manual	F-5610
--	Parts List (2-30501)	F-5894
--	Parts List (2-30502)	F-5611

*NOTE: These key numbers are included with key no. 29. When ordering replacement parts specify the brand name of the tire to insure that tread patterns on tire match.

MODEL 2-30501
MODEL 2-30502

MOTION DRIVE PARTS
DRAWING



D-4347-1

MODEL 2-30501
MODEL 2-30502

MOTION DRIVE PARTS LIST

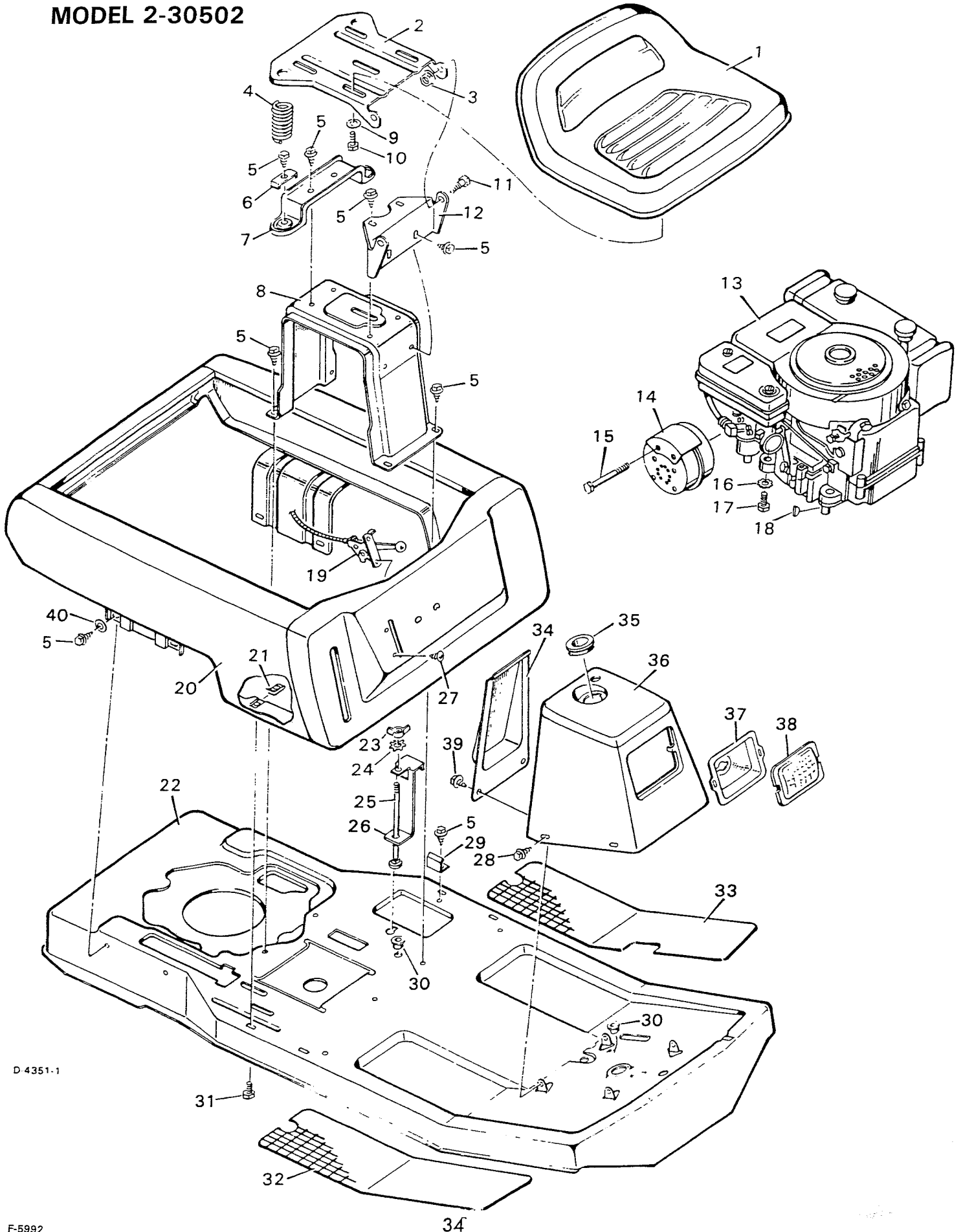
KEY NO.	DESCRIPTION	MODEL 2-30501	MODEL 2-30502	KEY NO.	DESCRIPTION	MODEL 2-30501	MODEL 2-30502
1	Hex Bolt ¼"-20X5/8"	1X82	1X82	33	Shakeproof Washer	19X6	19X6
2	Spring Lockwasher	18X30	18X30	34	Hex Bolt 5/16"-18X5/8"	1X45	1X45
3	Washer	17X32Z	17X32Z	35	Idler Arm Assembly	55067Z	55067Z
4	Transmission Yoke	24834Z	24834Z	36	Belt Guide Assembly	55053Z	55053Z
5	Cotter Pin	30X20	30X20	37	Traction Drive Belt	37X38	37X38
6	Extension Spring-Brake Return	165X28	165X28	38	Stack Pulley Assembly	55112Z	55112Z
7	Washer	17X134	17X134	39	Washer	10851Z	10851Z
8	Tapping Screw	26X207	26X207	40	Shakeproof Washer	19X39	19X39
9	Knob, Shift Lever	24844	24844	41	Hex Bolt 3/8"-24X1"	1X20	1X20
10	Shift Lever	55121Z	55121Z	42	Idler Pulley	20613	20613
11	Transmission Gate	24833Z	24833Z	43	Pulley	55101	55101
12	Transmission-Peerless 708B †	24832PA	24832PA	44	Retainer Ring	11X7	11X7
13	Woodruff Key #9	20697	20697	45	Axle Bearing	90225	90225
14	Guide Screw	20619	20619	46	Bracket, Rear Axle	55064	55065
15	Flange Locknut 3/8"-16	15X84	15X84	47	Differential-Peerless 100 †	55000	55000
16	Carriage Bolt 3/8"-16X¾"	2X56	2X56	48	Roller Chain	55114	55115
17	Carriage Bolt 5/16"-18X5/8"	2X53	2X53	49	Roller	90176	90176
18	Tapping Screw	26X49	26X49	50	Flange Locknut 5/16"-18	15X88	15X88
19	Chain Gate	55030	55030	51	Chain Adjusting Bracket	55154Z	55154Z
20	Pedal-Brake/Clutch	55027	55027	52	Flange Hex Nut 3/8"-16	15X68	15X68
21	Extension Spring - Pedal	165X2	165X2	53	Shoulder Bolt 5/16"-18X1.72"	9X22	9X22
22	Torsional Spring - Pedal	166X18	166X18	54	Sprocket-45 Tooth	55028	90188
23	Cotter Pin	30X49	30X49	55	Connecting Link	20730	20730
24	Lever Assembly-Brake/Clutch	55050	55050	56	Square Key 3/16"	21553	21553
25	Hair Pin	20692	20692	57	Washer	21521	21521
26	Washer	17X47	17X47	58	E-Ring	11X3	11X3
27	Rod, Brake/Clutch	55099Z	55099Z	59	Wheel & Tire Assembly	24389	24392
28	Extension Spring-Brake Unit	165X42	165X42	60	Valve Stem & Cap*	24373	24373
29	Shoulder Bolt 3/8"-16X7/8"	9X15Z	9X15Z	61	Tire Only*	24380	24393
30	Adjusting Nut	55002	55002	62	Wheel Only*	24390E	24391E
31	Extension Spring-Clutch Unit	165X39	165X39				
32	Flange Hex Nut 5/16"-18	15X79	15X79				

†NOTE: Complete illustration of transmission shown on page 94.
Complete illustration of differential shown on page 97.

*NOTE: These key numbers are included with key no. 59. When ordering replacement parts specify the brand name of the tire to insure that tread patterns on tire match.

MODEL 2-30501
MODEL 2-30502

BODY PART DRAWING



D 4351-1

F-5992

MODEL 2-30501
MODEL 2-30502

BODY PARTS LIST

KEY NO.	DESCRIPTION	MODEL 2-30501	PART NO. 2-30502
1	Seat	90368	90367
2	Seat Mount	55098	55098
3	Flange Locknut 3/8"-16	15X84	15X84
4	Seat Spring	164X13	164X13
5	Screw	26X49	26X49
6	Spring Retainer	90014	90014
7	Spring Hanger	55062	55062
8	Seat Support	55060	55060
9	Washer	17X47	17X47
10	Hex Bolt 5/16"-18X5/8"	1X45	1X45
11	Shoulder Bolt 3/8"-16X7/8"	9X15Z	9X15Z
12	Seat Hinge	55061	55061
13	Engine	†	†
14	Muffler	90331PA	90331PA
15	Hex Bolt 1/4"-20X3 1/4"	1X117	1X117
16	Shakeproof Washer	19X8	19X8
17	Bolt - Engine Mount	20103	20103
18	Woodruff Key No. 6	20062	20062
19	Control & Cable	90095	90095
20	Rear Body Assembly	55005	55008
21	Tinnerman Nut 1/4"-20	28X18	28X18
22	Frame Channel	55111	55111
23	Wing Nut 1/4"-20	14X79	----
24	Shakeproof Washer	19X4	----
25	Carriage Bolt 1/4"-20X7"	2X70	----
26	Battery Clamp	55124Z	----
27	Tapping Screw	26X159	26X159
28	Tapping Screw	26X214	26X214
29	Battery Clip	55149Z	----
30	Bushing	23857	23857
31	Hex Bolt 1/4"-20X1/2"	1X100	1X100
32	Mat-Running Board (R.H.)	55102	55102
33	Mat-Running Board (L.H.)	55103	55103
34	Console Plate	55023	55023
35	Bearing - Steering Post	55004	55004
36	Console Assembly	55019	55018
37	Reflector	90009C	----
38	Lens	90082	----
39	Machine Screw 1/4"-20X1/2"	4X24	4X24
40	Washer	19X6	19X6

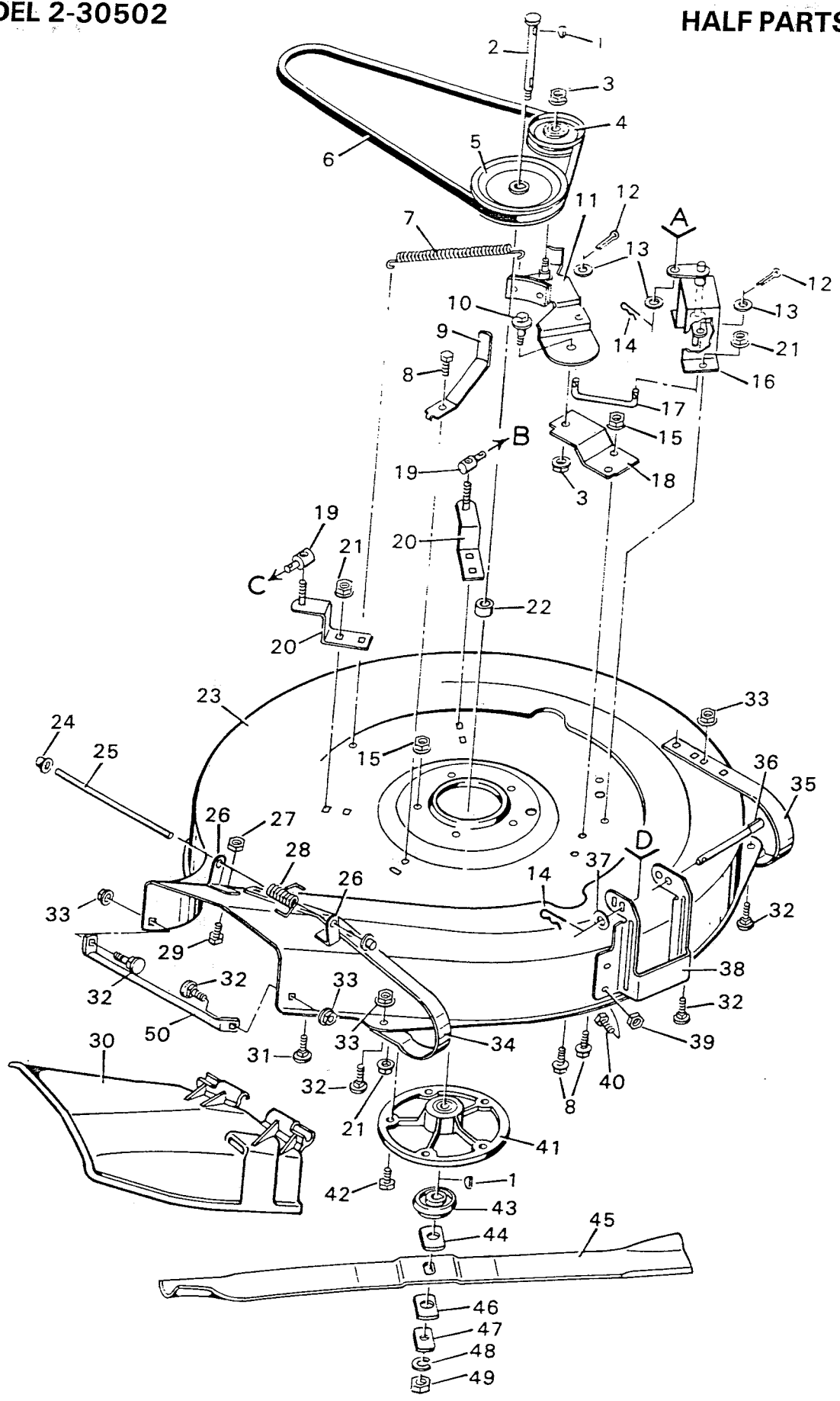
MODEL 2-30501
MODEL 2-30502

BLADE HOUSING — TOP
HALF PARTS LIST

KEY NO.	DESCRIPTION	PART NO.
1	Lifter Rod	55133
2	Tapping Screw	26X49
3	Flange Locknut 3/8"-16	15X84
4	Index Plate	55143
5	Shoulder Bolt 3/8"-16	9X9
6	Washer	17X53
7	Cotter Pin	30X20
8	Lifter Lever Assembly	55129
9	Grip - Lifter Lever	21249
10	Flange Hex Nut 5/16"-18	15X79
11	Grip - Blade Lever	20476
12	Blade Lever	55089Z
13	Flange Locknut 1/4"-20	15X89
14	Hex Bolt 1/4"-20X1"	1X76
15	Tube, Blade Lever	55088Z
16	Washer	17X67Z
17	Suspension Pin	55141Z
18	Rod & Arm Assembly	55085
19	Hair Pin	20692
20	Adjusting Nut	21920
21	Bracket, Front Suspension	55139
22	Front Link	55090
23	Extension Spring-Blade Clutch	165X7
24	Blade Drive Link	55091Z
25	Lifter Mounting Plate	55134
26	Suspension Rod Assembly	55125
27	Carriage Bolt 5/16"-18X5/8"	2X53
28	Cotter Pin	30X49
29	Linkage Rod	55140Z
30	Washer	17X57Z

For Murray Parts Call 606-678-9623 or 606-561-4983
MODEL 2-30501
MODEL 2-30502

**BLADE HOUSING — BOTTOM
HALF PARTS DRAWING**

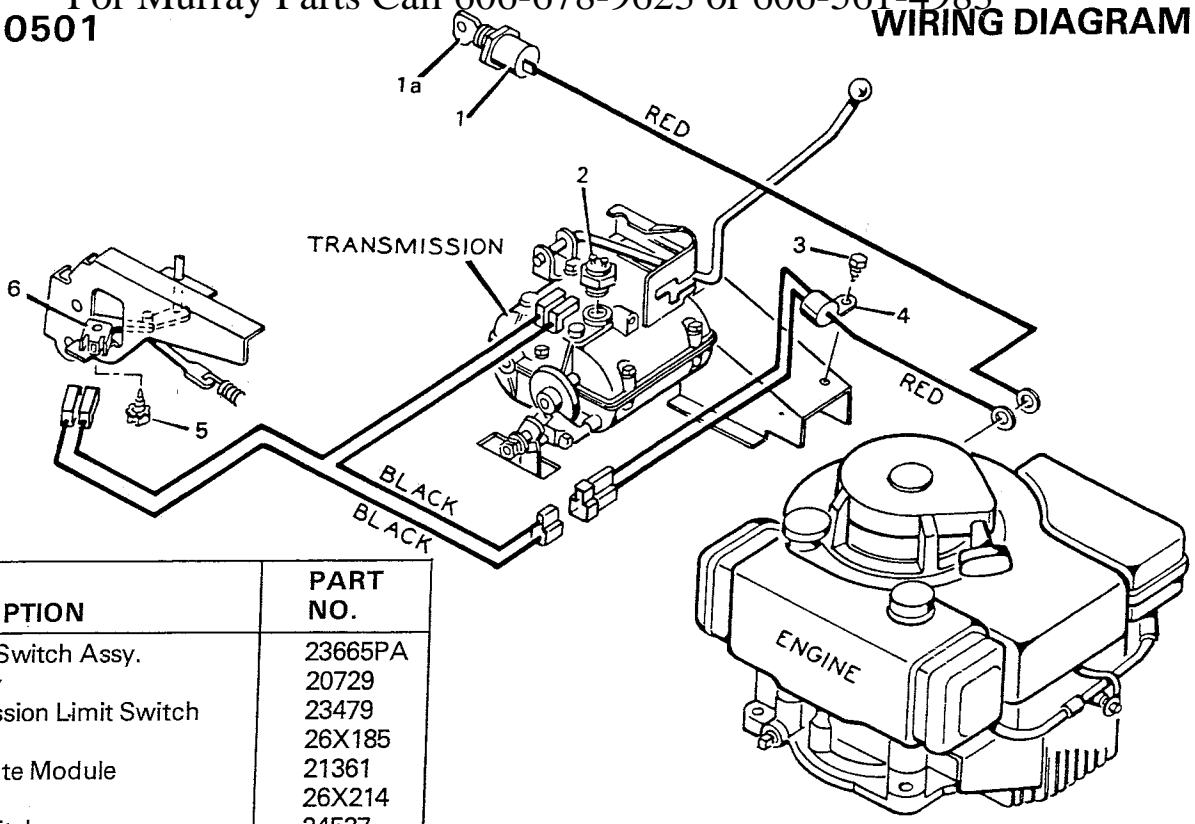


MODEL 2-30501
MODEL 2-30502

**BLADE HOUSING – BOTTOM
HALF PARTS LIST**

KEY NO.	DESCRIPTION	PART NO.
1	Woodruff Key #6	20062
2	Jackshaft	24578
3	Flange Locknut 3/8" - 16	15X84
4	Idler Pulley	20613
5	Pulley	55100
6	Belt, Blade Drive	37X37
7	Extension Spring-Blade Brake	165X24
8	Hex Bolt 5/16"-18X5/8"	1X45
9	Belt Guide	55097Z
10	Shoulder Bolt 3/8"-16X7/8"	9X15Z
11	Blade Idler Assembly	55081
12	Cotter Pin	30X20
13	Washer	17X53
14	Hair Pin	20692
15	Flange Locknut 5/16"-18	15X88
16	Pivot Rod & Bracket Assembly	55070
17	Idler Link	55094Z
18	Idler Support Bracket	24517
19	Adjusting Nut	21920
20	Rear Bracket & Bolt Assembly	55136
21	Flange Hex Nut 5/16"-18	15X79
22	Jackshaft Spacer	24533
23	Blade Housing Assembly	55108
24	Push On Cap	28X23
25	Deflector Rod	21197Z
26	Front & Rear Deflector Brkt.	21185
27	Hex Nut #10-24	15X51
28	Torsional Spring	166X4
29	Machine Screw #10-24X5/8"	4X21
30	Chute Deflector	24540
31	Carriage Bolt 5/16"-18X5/8"	2X53
32	Carriage Bolt 1/4"-20X9/16"	2X39
33	Flange Locknut 1/4"-20	15X89
34	Skid, R.H.	90352
35	SKid, L.H.	90353
36	Pull Pin	55142Z
37	Washer	17X67Z
38	Front Bracket	55144
39	Keps Nut 1/4"-20	15X66
40	Machine Screw 1/4"-20X1/2"	4X25
41	Jackshaft Housing Assembly	24384
42	Hex Bolt 5/16"-18X1"	1X84
43	Blade Adapter	20617
44	Washer	24614Z
45	Blade - 30"	24524
46	Washer	21673
47	Blade Washer	20663
48	Spring Lockwasher	18X27
49	Hex Nut - Blade Mount	15X72
50	Horn Guard	20581

Beck Assy 403140

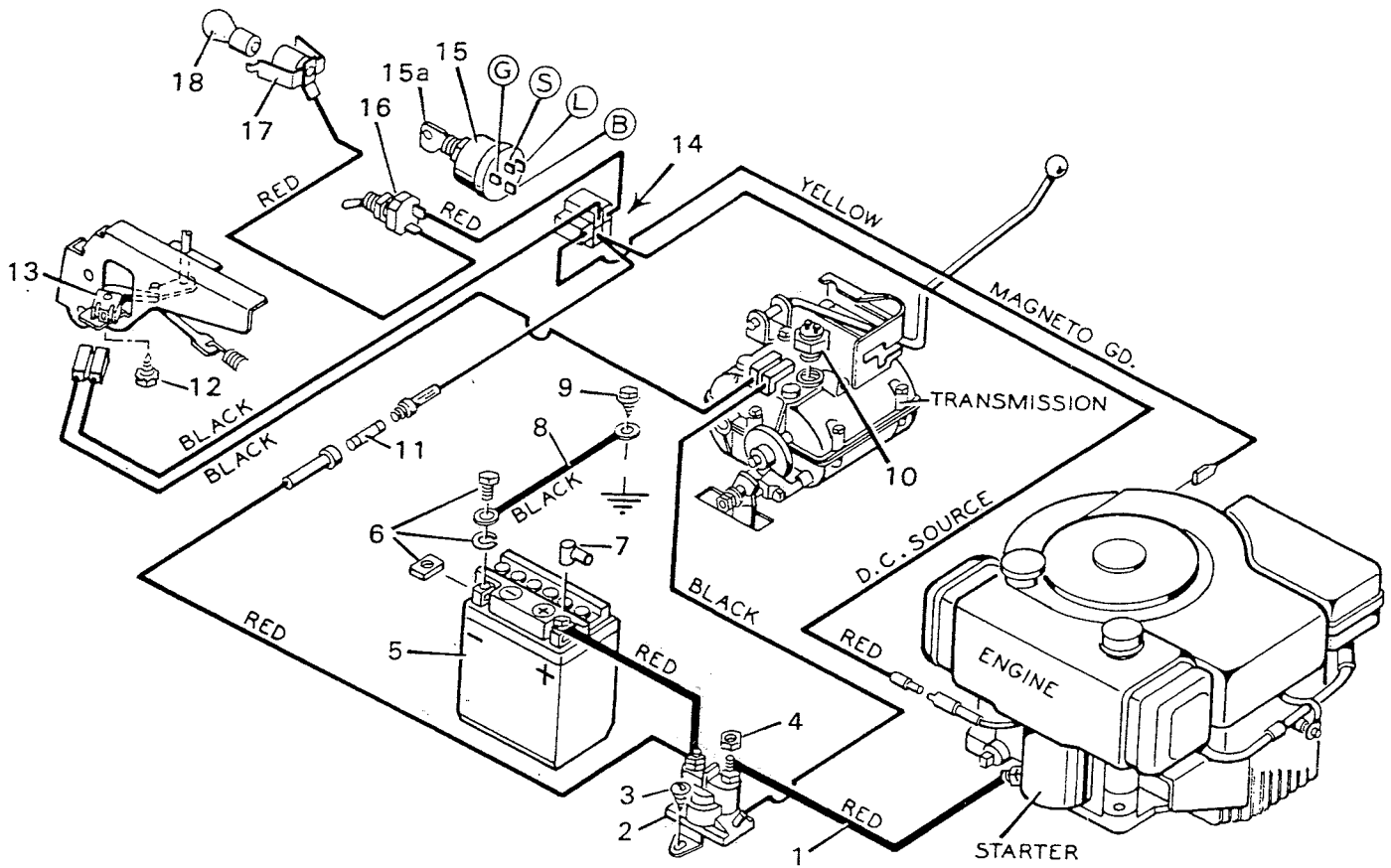


KEY NO.	DESCRIPTION	PART NO.
1	Ignition Switch Assy.	23665PA
1a	Key Only	20729
2	Transmission Limit Switch	23479
3	Screw	26X185
4	Solid State Module	21361
5	Screw	26X214
6	Limit Switch	24527
*	Wiring Harness	55104
*	Wire Clamp	21980
*	Owner's Manual	F-5610

F-5992

MODEL 2-30502

WIRING DIAGRAM



KEY NO.	DESCRIPTION	PART NO.	KEY NO.	DESCRIPTION	PART NO.
1	Battery Cable	24X12	11	Fuse - 15 Amp	23752
2	Solenoid	24285	12	Screw	26X214
3	Screw	26X185	13	Limit Switch	24527
4	Keps Nut 1/4"-20	15X66	14	Wiring Harness	55105
5	Battery	23581	*	Wire Clamp	21980
*	Electrolyte - (Battery Acid)	23590	15	Key & Switch Assy.	21064PA
6	Battery Hardware	402012	15a	Key Only	20729
7	Battery Boot	24196	16	Light Switch	20899PA
8	Battery Cable - Ground	24X9	17	Light Socket	90155
9	Screw	26X49	18	Light Bulb	90084
10	Transmission Limit Switch	23479	*	Owner's Manual	F-5610