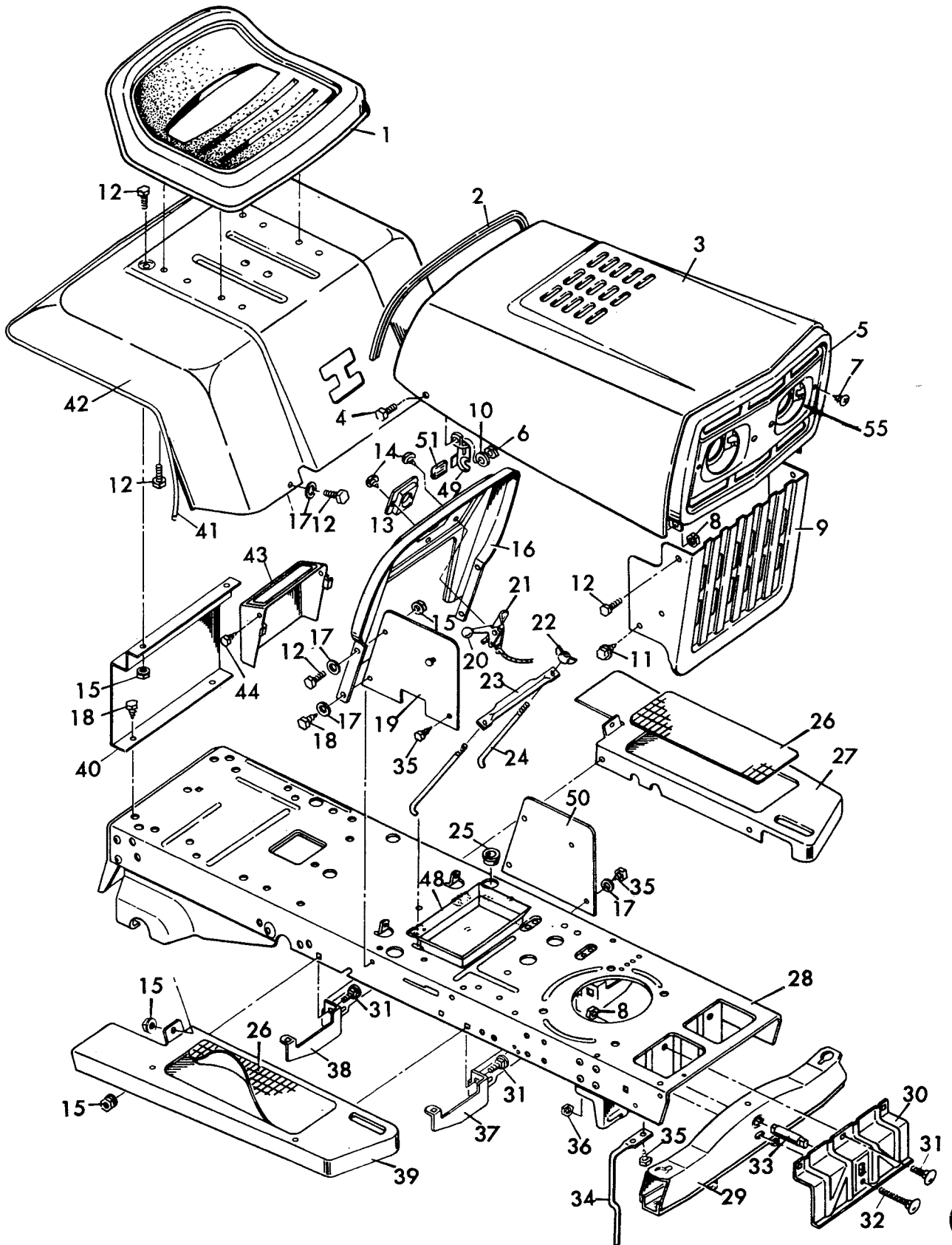


MODEL NO. 81-36670

BODY PARTS ASSEMBLY



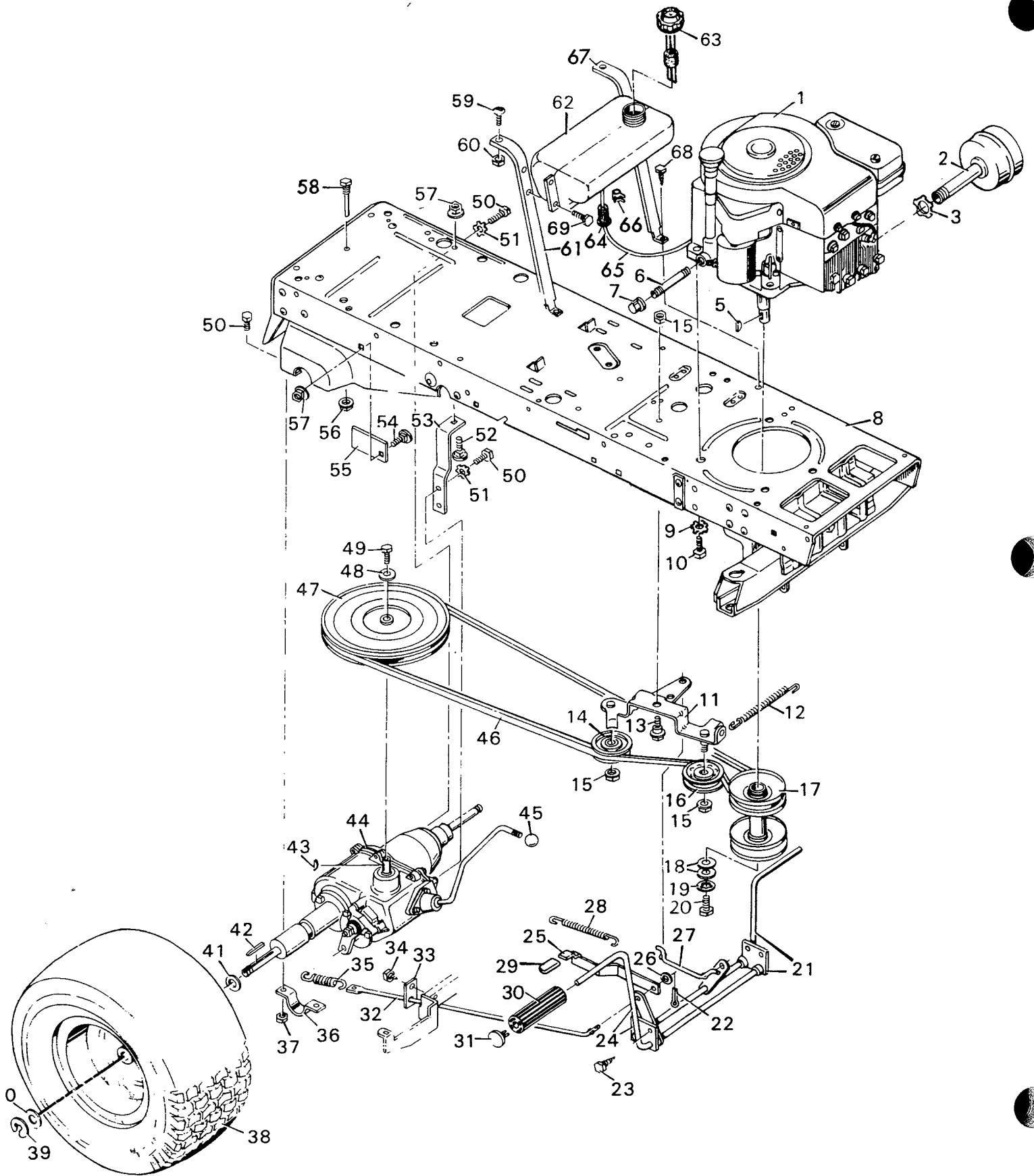
MODEL NO. 81-36670

BODY PARTS ASSEMBLY

Key No.	Part No.	Description	Key No.	Part No.	Description
1	23884	Seat	29	21441	Front Axle Assembly
2	21765	Edge Trim	30	23829	Front Axle Hanger
3	24083	Hood and Latch Assembly	31	2X53	Carriage Bolt 5/16"-18X5/8"
4	4X20Z	Screw	32	2X60	Carriage Bolt 3/8"-16X3"
5	21706C	Upper Grill Assembly	33	21469	Pivot Pin
6	15X81	Hex Nut # 10-24	34	23789Z	Belt Guide
7	26X159	Screw # 8X3/8" Type A	35	26X49	Screw
8	15X88	Flange Locknut 5/16-18	36	15X84	Hex Locknut 3/8"-16
9	21713	Lower Grille Assembly	37	23832	Deck Stop Assembly
10	17X17Z	Washer	38	21547	Running Board Support Assembly
11	26X202	Washer Head Screw	39	21934	R.H. Running Board
12	1X45	Hex Bolt 5/16"-18X5/8"	40	21714	Rear Shroud Support
13	21707	Steering Post Bearing	41	21789	Shroud Edge Trim
14	26X159	Screw # 10X 1/2 Type B	42	23325	Rear Shroud
15	15X79Z	Flange Locknut	43	407309	Battery Cover
16	23970	Control Plate	44	26X214	Screw
17	17X47Z	Washer	48	24157	Battery Tray
18	26X197	Screw 5/16" Type B	49	21798Z	Hood Latch R.H.
19	21792	Side Plate R.H.		21799Z	Hood Latch L.H.
20	20339	Control Knob	50	24238	Side Plate L.H.
21	24011PA	Throttle Control	51	21434	Grip
22	14X81	Wing Nut	55	21720E	Retainer - Headlight
23	21761Z	Battery Clamp		F-5283	Owners Manual
24	21762Z	Battery Clamp Rod		21747	Parts Bag Assembly
25	21268	Grommet			
26	21710	Rubber Mat			
27	21935	L.H. Running Board			
28	403033	Frame Assembly			

MODEL NO. 81-36670
MODEL NO. 81-36970

DRIVE ASSEMBLY



MODEL NO. 81-36670
MODEL NO. 81-36970

DRIVE ASSEMBLY

Key No.	Part No.	Description	Key No.	Part No.	Description
1	-----	Engine†	37	15X88	Flange Locknut .31-18
2	23343	Muffler	38	407900	Wheel & Tire Assembly
3	21616	Pipe Lock Nut		407902	Wheel Only
5	20062	Woodruff Key # 6	----	407903	Tire Only
6	21652	Oil Drain Extension	----	24373	Valve Stem & Cap
7	21651	Oil Drain Cap	39	11X3	E-Ring
8	402043	Frame Assembly 1-36970	40	17X115	Washer
	403033	Frame Assembly 1-36670	41	21521	Transaxle Washer
9	19X8	Shakeproof Washer	42	21553	Square Key 3/16"
10	20103	Engine Bolt	43	21539	Woodruff Key # 61
11	21428	Engine Bolt	44	24324	Transaxle - 3-Speed
12	23724	Drive Idler Spring			Peerless Model No. 601-002#
13	9X12	Shoulder Bolt	45	20844	Shift Knob
14	20613	Clutch Idler Pulley	46	37X11	Drive Belt
15	15X84	Flange Locknut 3/8-16	47	21447	Input Pulley
16	21409	Clutch Idler Pulley	48	18X30	Spring Lockwasher
17	23725Z	Stack Pulley Ass'y 81-36970 <i>5 13/16"</i>	49	1X38	Bolt 1/4"-20X5/8"
	21415Z	Stack Pulley Ass'y 81-36670 <i>4 9/16"</i>	50	1X84	Bolt
18	10851Z	Washer	51	18X15	Lockwasher
19	19X39	Shakeproof Washer	52	2X57	Carriage Bolt
20	1X20	Bolt	53	21440Z	Transaxle Support Bracket
21	21976	Clutch & Lever Assembly 81-36970	54	2X56	Carriage Bolt
	21951	Clutch & Lever Assembly 81-36670	55	21683	Belt Guide
22	30X20	Cotter Pin	56	15X79	Flange Nut
23	26X49	Screw	57	15X68	Flange Nut
24	21946	Brake Lever Assembly 81-36970	58	20619	Guide Screw
	21948	Brake Lever Assembly 81-36670	59	2X67	Carriage Bolt
25	24202Z	Parking Brake Arm	60	15X89	Flange Locknut 1/4"-20
26	17X47Z	Washer	61	24334	Gas Tank Support — RH 81-36970
27	21681	Clutch Link Rod		24331	Gas Tank Support 81-36670 R.H. & L.H
28	20682	Parking Brake Spring	62	23300	Gas Tank
29	24235	Parking Brake Grip	63	24064	Gas Cap - 81-36970 W/gauge
30	21544	Clutch & Brake Pedal		23711	Gas Cap - 81-36670
31	21535	Push On Cap	64	24159	Filter
32	21472Z	Brake Rod	65	23715	Fuel Line
33	21678Z	Brake Rod Support	66	23713	Hose Clamp
34	26X185	Screw	67	24335	Gas Tank Support-LH 81-36970
35	21675	Tension Spring	68	26X197	Screw
36	21473	Transaxle Clamp	69	26X214	Screw

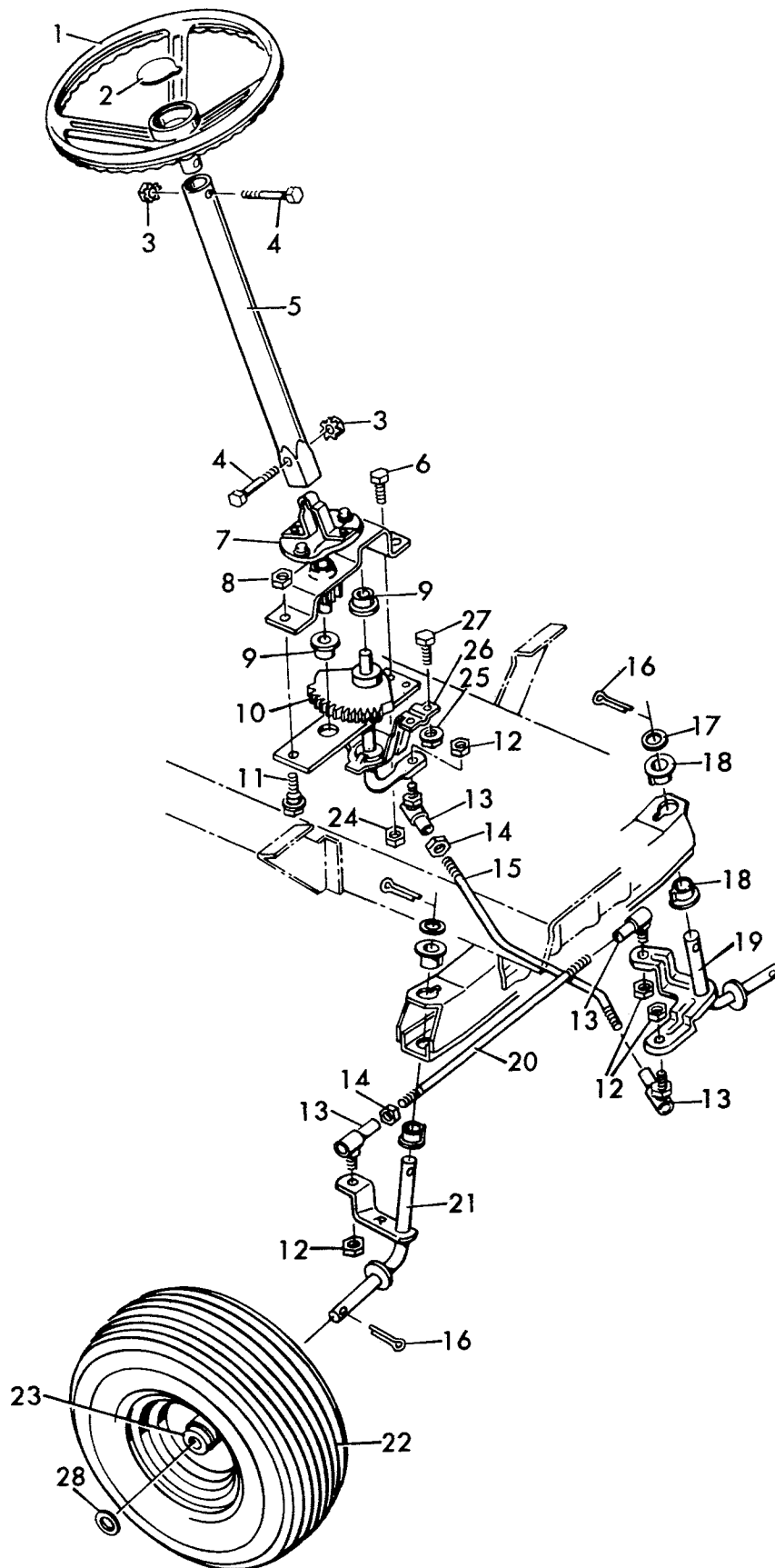
†NOTE: Your Engine Model, Type and Code Number is stamped on Blower Housing. Replacement parts may be obtained from your nearest Briggs & Stratton Service Center.

NOTE: Transaxle parts available through Tecumseh Dealers Only.

See page 104 and 105 for transaxle parts.

MODEL No. 81-36670
MODEL NO. 81-36970

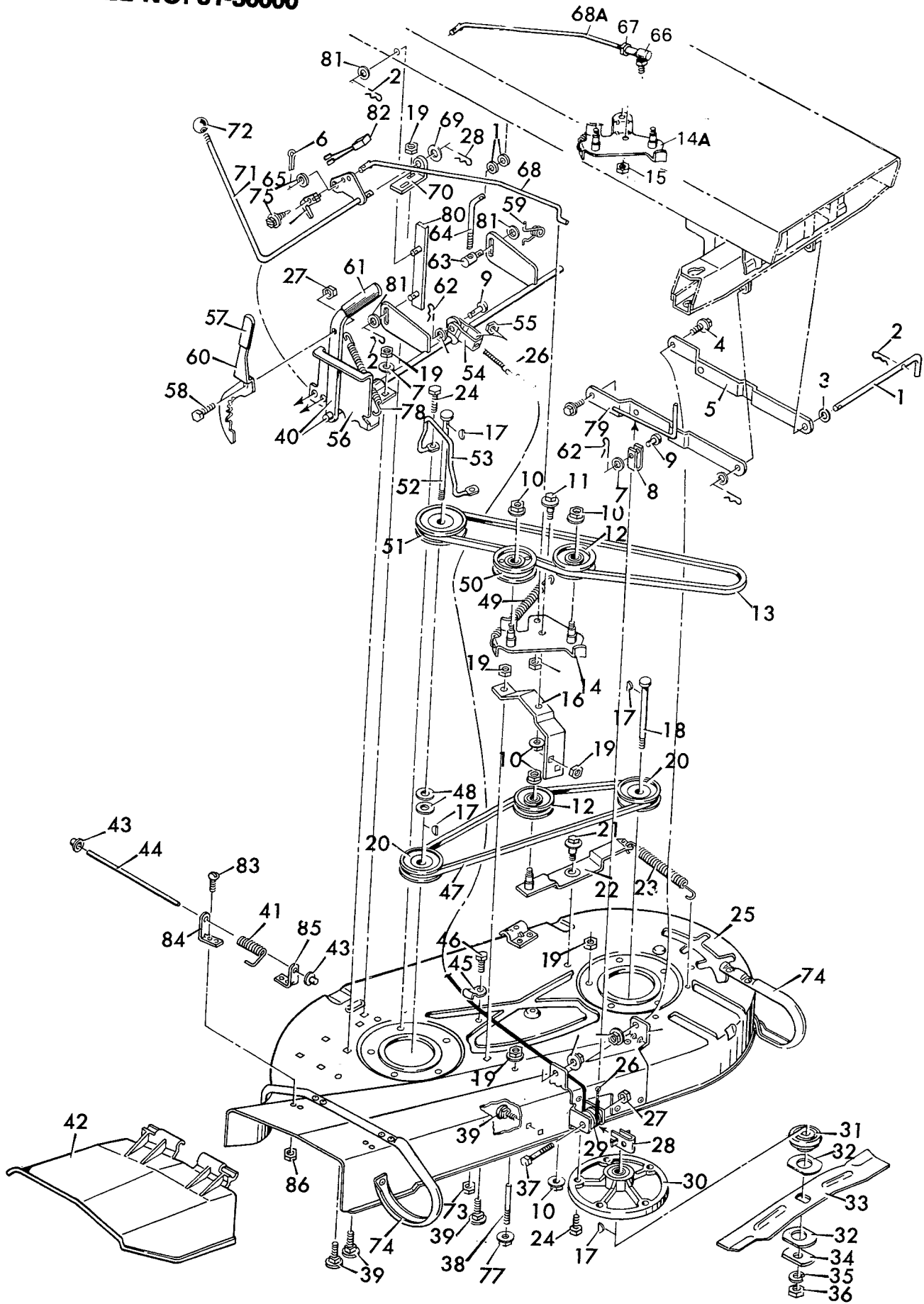
STEERING ASSEMBLY



MODEL NO. 81-36670
MODEL NO. 81-36970

STEERING ASSEMBLY

Key No.	Part No.	Description
1	21688	Steering Wheel
2	21303	Steering Wheel Cap
3	15X76	Keys Nut 5/16"-18
4	1X75	Bolt 5/16"-18X1 3/4"
5	21486C	Steering Post
6	1X45	Screw 5/16"-18X7/8"
7	21493	Steering Gear & Coupling Assembly
8	15X84	Locknut 3/8"-16
9	20587	Bearing
10	21692	Steering Arm Gear & Bracket Ass'y.
11	9X12	Shoulder Bolt
12	15X87Z	Locknut 3/8"-24
13	21031	Ball Joint
14	15X61	Hex Nut 3/8"-24
15	21482	Drag Link Rod
16	30X49	Cotter Pin 1 1/4"
17	17X83Z	Washer
18	23820	Spindle Bearings
19	24229	Spindle Assembly L.H.
20	21475	Tie Rod Assembly
21	24228	Spindle Assembly R.H.
22	407904	Wheel Ass'y
	407905	Rim Only
*	407906	Tire Only
*	24373	Valve Stem & Cap
23	24367	Front Wheel Bearing
24	15X88	Locknut 5/16"-18
25	15X79Z	Flange Nuts 5/16-18
26	21693	Steering Bracket
27	1X45	Bolt 5/16-18X5/8"
28	17X115	Washer



MODEL NO. 81-36670
MODEL NO. 81-36970
MODEL NO. 81-36000

36" BLADE HOUSING

Key No.	Part No.	Description	Key No.	Part No.	Description
1	21912Z	Pull Pin	47	37X3	Cross Drive Belt
2	20692	Hair Pin	48	17X87Z	Washers
3	17X57Z	Washer	49	24074	Idler Spring
4	9X14Z	Shoulder Bolt	50	21409	Idler Pulley
5	21911	Support Arm L.H.	51	* * *	Jackshaft Pulley
6	30X20	Cotter Pins	52	21024	Jackshaft - Long
7	17X47Z	Washer	53	* * *	Belt Guide
8	24073Z	Clevis	54	21915Z	Adjusting Clevis
9	29X93	Clevis Pin	55	15X2	Hex Nut 5/16"-18
10	15X84	Flange Locknut 3/8"-16	56	21500	Lifter Bracket
11	9X12	Shoulder Bolt 3/8"-16X7/8"	57	20476	Lifter Latch Grip
12	20613	Idler Pulley	58	6X46	Shoulder Screw
13	* * *	Blade Drive Belt	59	23139	Torsion Spring
14	24343	Blade Drive Idler Assembly	60	21591Z	Lifter Latch
14A	21503	Blade Drive Idler Assembly	61	21249	Lifter Grip
15	15X84Z	Locknut 3/8"-24	62	20692	Hair Pin
16	21496	Idler Support Bracket	63	21920	Adjusting Nut
17	20062	Woodruff Key # 6	64	23704Z	Adjusting Rod 81-36670,81-36970
18	20616	Jackshaft - Short		21919Z	Adjusting Rod 81-36000
19	15X88	Flange Locknut 5/16"-18	65	17X53Z	Washer
20	21022	Jackshaft Pulley	66	21031	Ball Joint
21	9X15Z	Shoulder Bolt	67	15X61Z	Hex Nut 3/8"-24
22	21139Z	Twin Blade Idler Bracket-Ass'y	68	24341Z	Clutch Rod
23	20682	Cross Drive Idler Spring	68A	21517	Clutch Rod
24	1X84	Bolt 5/16"-18X1"	69	17X67Z	Washer
25	21907	Blade Housing	70	20934	Scissors Bracket R.H.
26	21913	Lifter Cable	71	23915C	Blade Drive Lever Assembly
27	15X67	Hex Nut 1/4"-20	72	20739	Lever Knob
28	21917Z	Cable Guide	73	15X66	Hex Nut 1/4"-20
29	21916	Nylon Pulley	74	404015	Skid Set
30	20551	Jackshaft Housing Assembly	75	26X211	Screw # 10X1 Type AB
31	20617	Blade Adapter	76	24527	Limit Switch
32	21673Z	Washer	77	15X79	Flange Nut
33	20930	Blade	78	20682	Lifter Latch Spring
34	20663Z	Blade Washer	79	23256	Support Arm Assembly R.H.
35	18X27	Lockwasher	80	23705Z	Hanger Bracket Assembly 81-3667-36970
36	15X72	Hex Nut 1/2"-20		23252Z	Hanger Bracket Assembly 81-36000
37	1X90	Bolt 1/2"-20X1 3/4"			
38	23169	Belt Guide	81	17X124	Washer
39	2X53	Carriage Bolt	82	23984	Jumper Wire
40	21906	Lifter Assembly	83	4X68	Machine Screw
41	21189	Torsion Spring	84	21187	Rear Deflector Bracket
42	21154	Chute Deflector	85	21186	Front Deflector Bracket
43	28X23	Push-On-Cap	86	15X81	Locknut
44	21198Z	Deflector Rod		23086	Parts Bag Ass'y 81-36000
45	21953Z	Cable Guide		F-4570	Owners Manual 81-36000
46	1X38	Bolt 1/4"-20X5/8"		* * *	Complete Blade Housing Ass'y

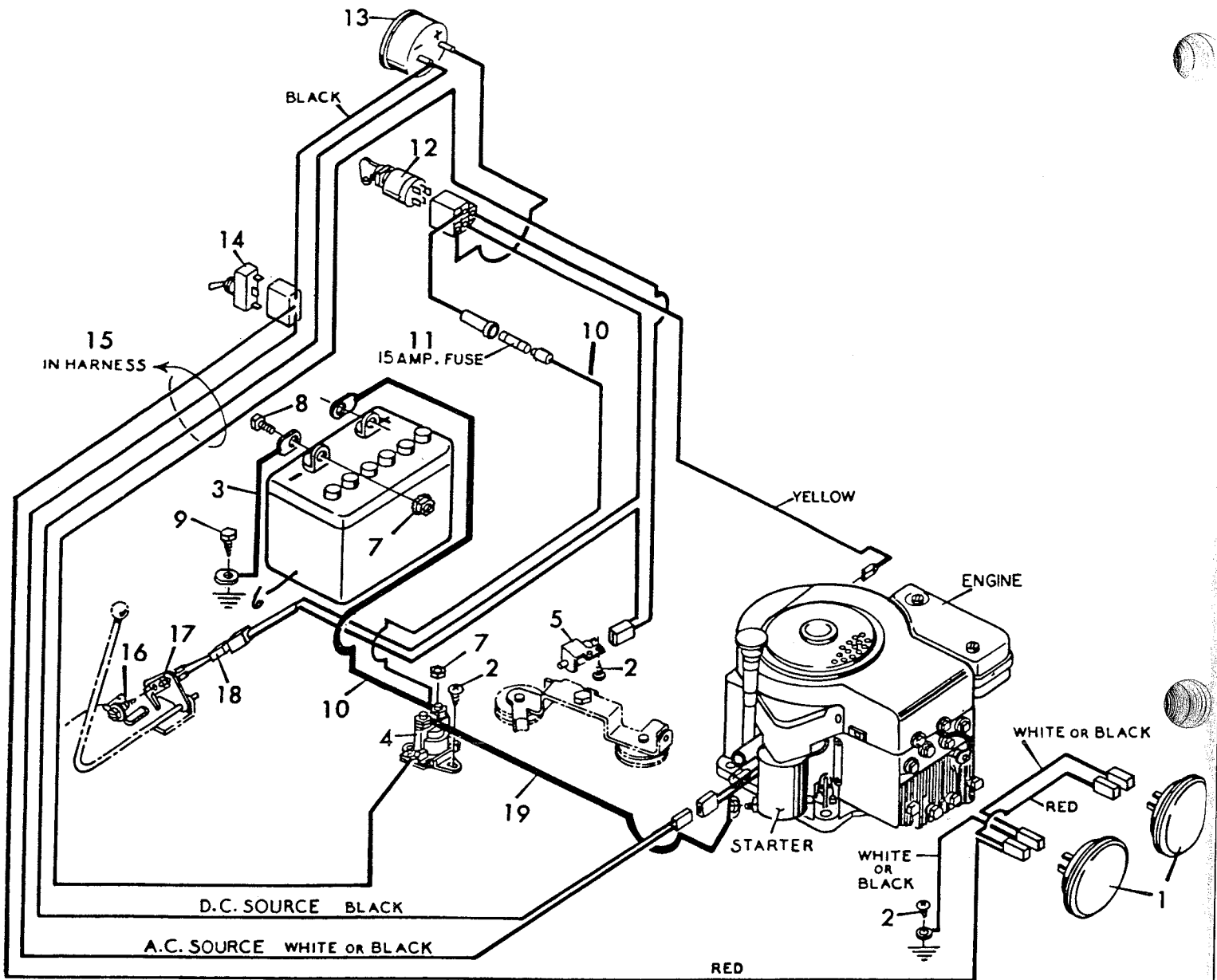
Pulley O.D.	Item 13 Belt	Item 51 Jackshaft Pulley	Item 53 Beltguide	Complete Blade Housing
4-9/16 36670	37X12	21096	21504Z	403131 36670
5-13/16 36970	37X24	23538	23769Z	403132 36970

* * * THESE MODELS ARE BUILT USING TWO DIFFERENT STACK PULLEYS. MEASURE THE OUTSIDE DIAMETER OF THE BOTTOM ENGINE STACK PULLEY, & ORDER THE LISTED PARTS ACCORDINGLY (see page 40 key 17).

Match the physical characteristics of key numbers 14, 14A, and 68A with the customers part, and order the replacement parts accordingly.

**MODEL NO. 81-36670
81-36970**

WIRING DIAGRAM



PARTS LIST

KEY NO.	PART NO.	DESCRIPTION	KEY NO.	PART NO.	DESCRIPTION
1	23757	Seal Beam Lamp	11	23752	Fuse
2	26X185	Screw	12	21064PA	Switch & Key
3	24X6	Battery Cable — Black	13	21057PA	Ammeter Assembly
4	24285	Solenoid	14	21686PA	Light Switch
5	21549	Limit Switch-Clutch	15	24325	Wiring Harness
6	90154	Battery	16	26X211	Screw # 10X1" Type AB
*	90171	Electrolyte-(Battery Acid)	17	24527	Limit Switch-Blade Housing
7	15X66	Keps Nut ¼"-20	18	23984	Jumper Wire
8	1X38	Bolt ¼"-20X5/8"	19	24X12	Battery Cable— Red
9	26X49	Screw	*	21980	Wire Clamp
10	24X14	Battery Cable W/Fuse Wire		20729	Key Only

* Not Illustrated