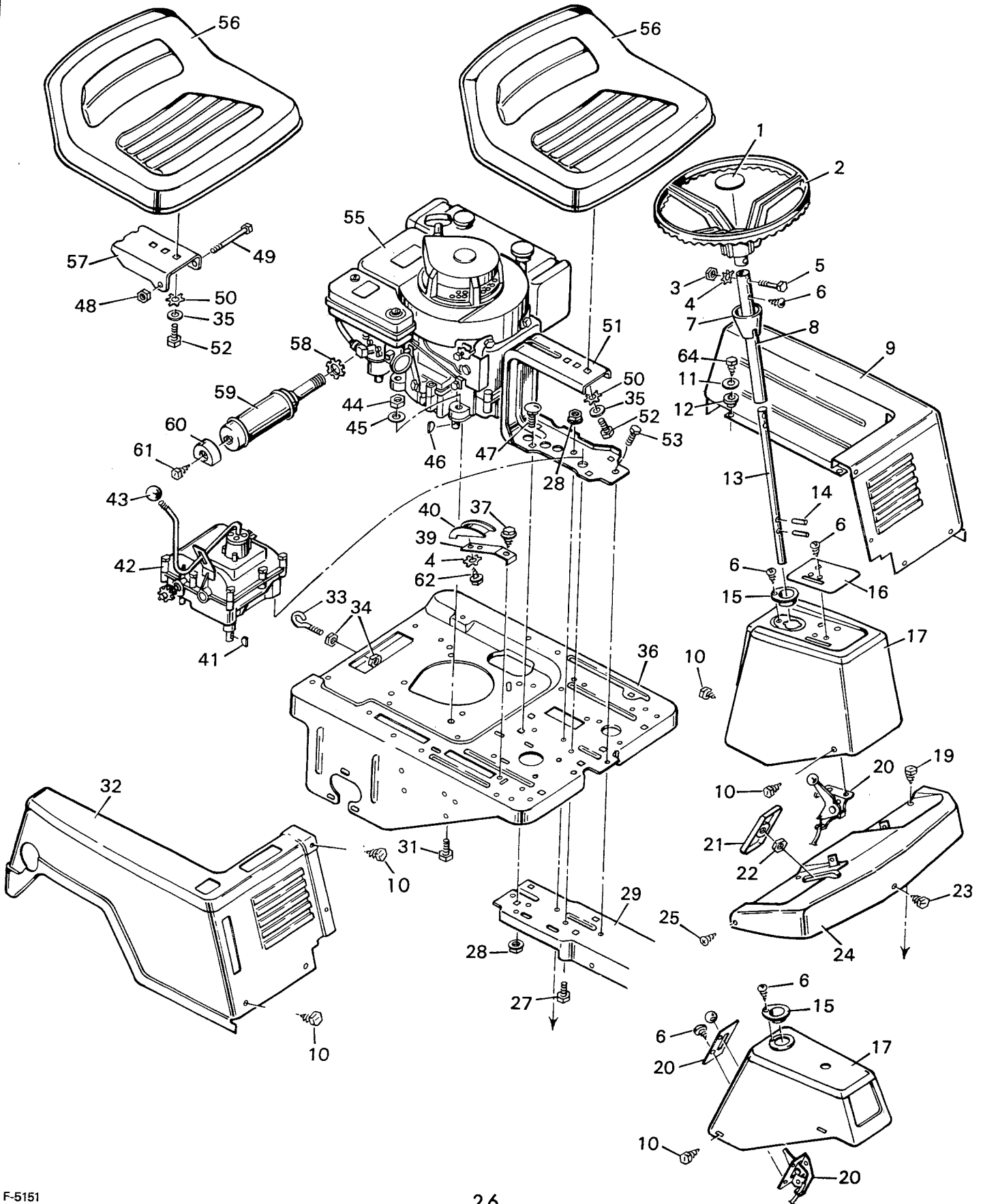


MODEL 0-2503
MODEL 0-2513
MODEL 0-2523

RIDING MOWER - TOP HALF



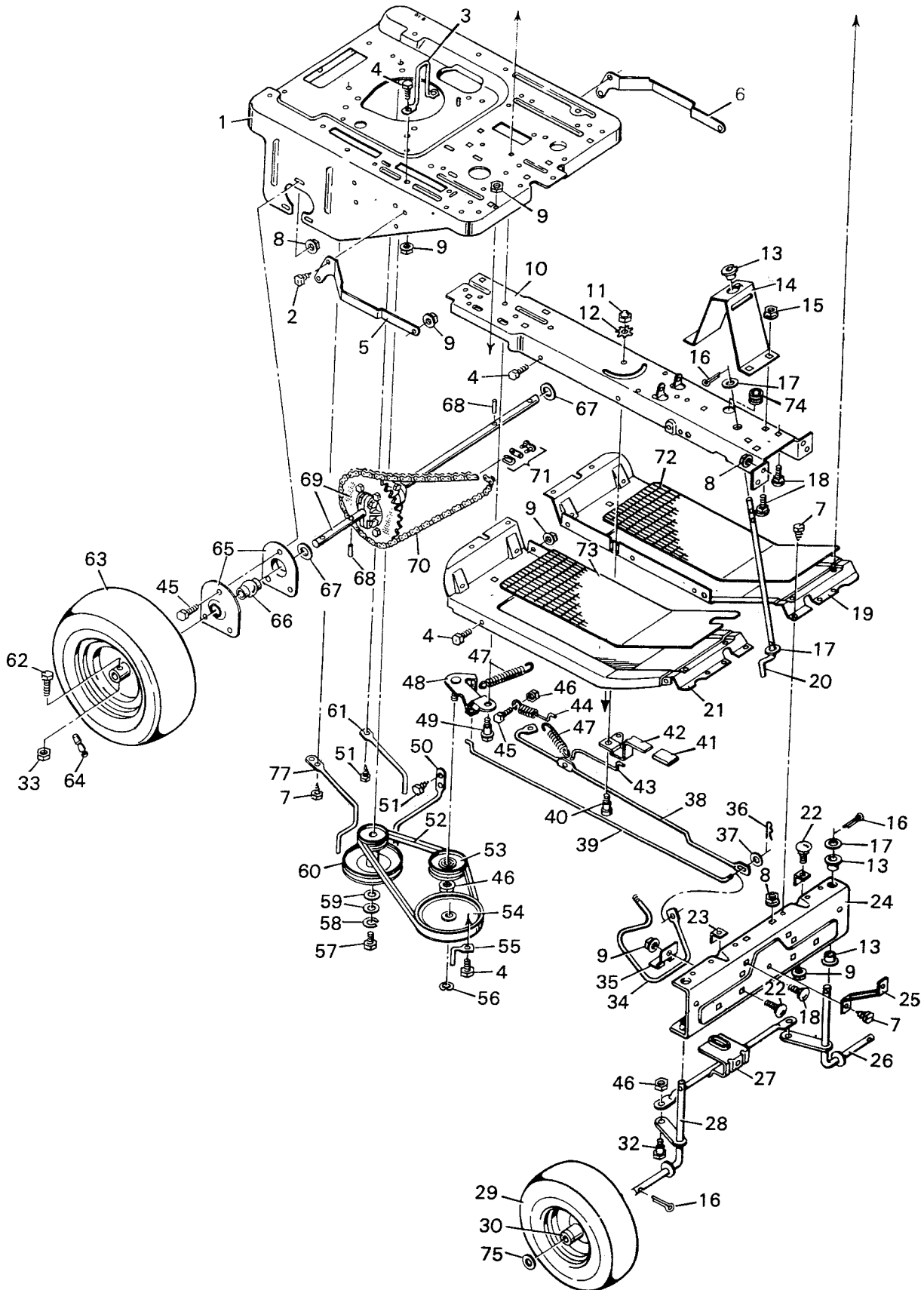
**MODEL 0-2503
MODEL 0-2513
MODEL 0-2523**

Key No.	Model 0-2523	Model 0-2513	Model 0-2503	Description	Key No.	Model 0-2523	Model 0-2513	Model 0-2503	Description
1	21303	21303	21303	Steering Wheel Cap	32	23417	23417	23419	R.H. Shroud Assembly
2	21302	21302	21302	Steering Wheel	33	20696	20696	20696	Eye Bolt
3	15X1Z	15X1Z	15X1Z	Hex Nut 1/4"-20	34	15X33	15X33	15X33	Hex Nut 3/8"-24X9/16"
4	19X4	19X4	19X4	Shakeproof Washer	35	17X67Z	17X67Z	17X67Z	Washer
5	6X58	6X58	6X58	Hex Bolt 1/4"-20X1-1/2"	36	23427	23427	23427	Engine Base
6	26X159	26X159	26X159	Self Tapping Screw # 8X3/8"	37	26X174	26X174	26X174	Screw
7	21171	21171	21171	Steering Wheel Collar	39	23402	23402	23402	Idler Leaf Spring
8	21172C	21172C	21172C	Sleeve	40	23403	23403	23403	Guide Block
9	23422	23421	23421	L.H. Shroud Assembly	41	20697	20697	20697	Woodruff Key
10	26X114	26X114	26X114	Screw	42	23467PA	23467PA	23467PA	Transmission*
11	17X106	17X106	17X106	Washer	43	400049	400049	400049	Shifter Lever Knob
12	20720	20720	20720	Grommet	44	15X42	15X42	15X42	Hex Nut
13	24612	24612	24612	Steering Post	45	17X47Z	17X47Z	17X47Z	Washer
14	32X70	32X70	32X70	Spring Pins	46	20062	20062	20062	Woodruff Key
15	21034	21034	21034	Nylon Bearing	47	9X14	9X14	9X14	Shoulder Screw
16	20496	21241	None	Control Plate	48	15X88Z	15X88Z	15X88Z	Flange Locknut 5/16"-18
17	20497	20497	20565	Console Assembly	49	1X78	None	None	Bolt 5/16"-18
19	26X179	26X179	26X179	Screw # 10X1/2"	50	19X36	19X36	19X36	Shakeproof Washer
20	21222PA	21222PA	21221	Throttle Control	51	23485	23485	23485	Seat Bracket
21	20575E	20575E	20575E	Pedal	52	1X88	1X88	1X88	Hex Bolt 1/2"-13X3/4"
22	15X63	15X63	15X63	Hex Nut 7/16"-14X11/16"	53	1X45Z	1X45Z	1X45Z	Hex Bolt 5/16"-18X5/8"
23	26X197	26X197	26X197	Hex Tapping Screw - 5/16"	55	-----	-----	-----	Engine
24	20473	20473	20474	Apron Assembly	56	23569	23569	23568	Seat
25	26X215	26X215	26X215	Truss Head Tap Screw # 10X1/2"	57	23486Z	None	None	Seat Hinge
26	15X79Z	15X79Z	15X79Z	Hex Flange Nut 5/16"-18	58	23484	23484	None	Heavy Duty 3/4" Locknut
27	1X45Z	1X45Z	1X45Z	Hex Bolt 5/16"-18X5/8"	59	23483	23483	None	Muffler
28	15X84Z	15X84Z	15X84Z	Hex Flange Nut 3/8"-16X9/16"	60	23554	23554	None	Deflector
29	23666	23666	23673	Frame Channel	61	26X185	26X185	None	Screw
31	1X74	1X74	1X74	Engine Bolt	62	26X195	26X195	26X195	Screw
					63	19X6	19X6	19X6	Shakeproof Washer
					64	26X184	26X184	26X184	Screw # 10X5/8"
						21817	21817	21817	Parts Bag Assembly
						F-5026	F-5026	F-5026	Owners Manual

* Note: Complete illustration of transmission shown on page 81.

MODEL 0-2503
MODEL 0-2513
MODEL 0-2523

LOWER HALF



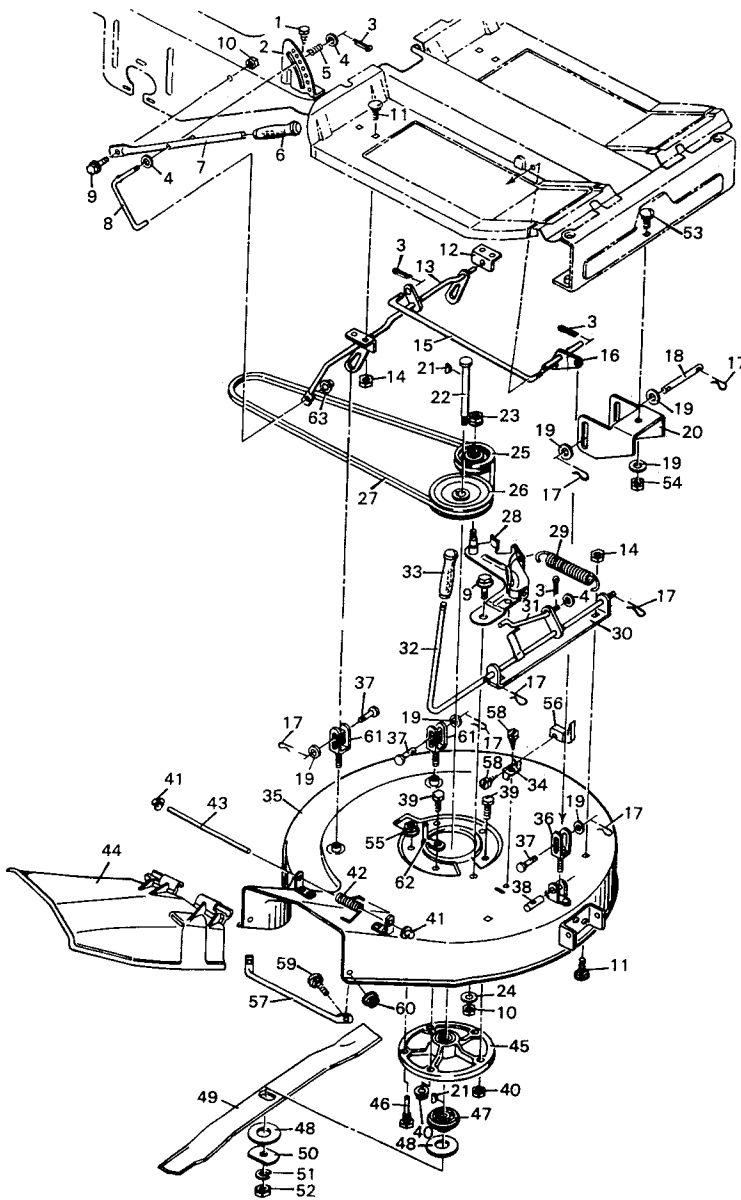
MODEL 0-2503
MODEL 0-2513
MODEL 0-2523

Key No.	Model 0-2523	Model 0-2513	Model 0-2503	Description	Key No.	Model 0-2523	Model 0-2513	Model 0-2503	Description
1	23427	23427	23427	Engine Base	37	17X32	17X32	17X32	Plain Washer
2	26X197	26X197	26X197	Screw	38	23118Z	23118Z	23118Z	Brake Rod
3	23553Z	23553Z	23553Z	Chain Clamp	39	20669	20669	20669	Clutch & Brake Rod
4	1X45Z	1X45Z	1X45Z	Bolt 5/16"-18X5/8"	40	6X46	6X46	6X46	Shoulder Screw
5	23455	23455	23455	Running Board Support - L.H.	41	23340	23340	23340	Parking Brake Grip
6	23456	23456	23456	Running Board Support - R.H.	42	21829Z	21829Z	21829Z	Parking Brake Lever
7	26X197	26X197	26X197	Hex Tapping Screw	43	23120	23120	23120	Parking Brake Link
8	15X85	15X85	15X85	Flange Nut 3/8"X16	44	23119	23119	23119	Brake Spring
9	15X79Z	15X79Z	15X79Z	Hex Flange Nut 5/16"X18	45	1X85Z	1X85Z	1X85Z	Bolt 3/8"-16X3/4"
10	23666	23666	23673	Frame Channel	46	15X84Z	15X84Z	15X84Z	Flange Locknut 3/8"-16
11	14X77	14X77	14X77	Acorn Nut	47	20682	20682	20682	Drive Idler Spring
12	19X4	19X4	19X4	Shakeproof Washer	48	23122Z	23122Z	23122Z	Drive Idler Assembly
13	20587	20587	20587	Nylon Spindle Bearing	49	9X15	9X15	9X15	Shoulder Screw
14	21071	21071	21071	Steering Support	50	23438Z	23438Z	23438Z	Belt Guide
15	15X84Z	15X84Z	15X84Z	Hex Nut 3/8"-16	51	26X50	26X50	26X50	Screw
16	30X49	30X49	30X49	Cotter Pin	52	20716	20716	20716	Drive Belt
17	17X100Z	17X100Z	17X100Z	Plain Washer	53	20613	20613	20613	Idler Pulley
18	2X56	2X56	2X56	Carriage Bolt 3/8"-16X3/4"	54	20614	20614	20614	Transmission Pulley
19	21894	21894	21894	Running Board L.H.	55	23470Z	23470Z	23470Z	Belt Guide
20	20864	20864	20864	Lower Steering Post	56	11X7	11X7	11X7	Retainer Ring
21	21893	21893	21893	Running Board R.H.	57	1X20	1X20	1X20	Bolt 3/8"-24X1"
22	2X53	2X53	2X53	Carriage Bolt 5/16"-18X5/8"	58	19X39	19X39	19X39	Shakeproof Washer
23	20709	20709	20709	Stop Clip	59	10851Z	10851Z	10851Z	Washer
24	20545	20545	20545	Front Axle Beam	60	23505Z	23505Z	23505Z	Stack Pulley Assembly
25	20639	20639	20639	Apron Support	61	23469Z	23469Z	23469Z	Stack Pulley Belt Guide
26	24692	24692	24692	Spindle Arm L.H.	62	1X81	1X81	1X81	Bolt 5/16"-18X1-5/8"
27	24700	24700	24700	Tie Bar & Bracket	63	20752	20752	20751	Rear Wheel & Tire
28	24691	24691	24691	Spindle Arm R.H.		133X3	133X3	133X1	Tire Only
29	24625	24625	24624	Front Wheel & Tire		-----	-----	134X1	Tube Only
	133X2	133X2	-----	Tire Only		135X3	135X3	135X1	Wheel Only
	134X2	134X2	-----	Tube Only	64	400162	400162	-----	Valve Stem & Cap - Tubeless
	135X2	135X2	-----	Wheel Only	65	20570Z	20570Z	20570Z	Bearing Retainer
30	24615	24615	24615	Front Wheel Bearing	66	20568	20568	20568	Rear Axle Bearing
32	9X15	9X15	9X15	Shoulder Bolt	67	61961Z	61961Z	61961Z	Washer
33	15X88Z	15X88Z	15X88Z	Flange Nut 5/16"-18	68	32X65	32X65	32X65	Roll Pin
34	20645	20645	20645	Clutch & Brake Lever	69	20686	20686	20686	Differential*
35	20572	20572	20572	Clutch & Brake Lever Clamp	70	23544	23544	23544	Roller Chain 40-1 1/2"
36	30X20	30X20	30X20	Cotter Hair Pin	71	20730	20730	20730	Connecting Link
					72	20691	20691	20691	L.H. Rubber Mat
					73	20690	20690	20690	R.H. Rubber Mat
					74	21268	-----	-----	Grommet
					75	24583	24583	24583	Washer
					77	24604Z	24604Z	24604Z	Belt Guide

® NOTE: Complete illustration of differential shown on page 79.

MODEL 0-2503
MODEL 0-2513
MODEL 0-2523

BLADE HOUSING

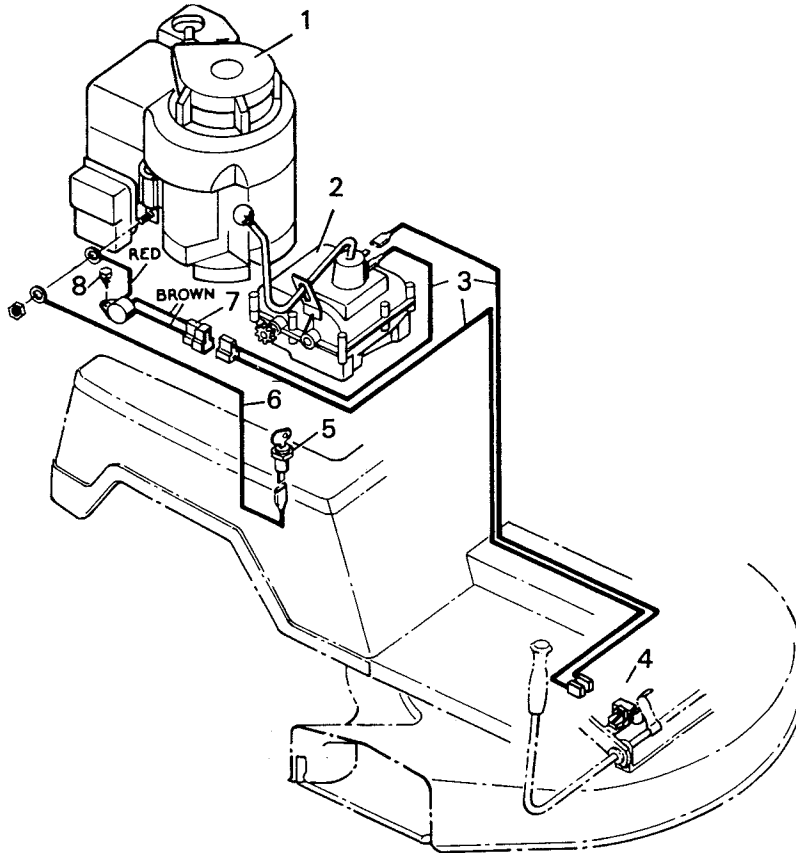


Key No.	Part No.	Description
10	15X84Z	Locknut 3/8"-16
11	2X53	Carriage Bolt 5/16"-18X5/8"
12	21876	Rear Bracket
13	24505	Rear Lifter Rod Assembly
14	15X79Z	Hex Nut 5/16"-18
15	24500	Lifter Link
16	21880	Pivot Arm & Rod Assembly - Low Console Models
	21982	Pivot Arm & Rod Assembly - High Console Models
17	75336	Hair Pin
18	21890Z	Pin
19	17X67Z	Washer
20	24535	Front Suspension Bracket
21	20062	Woodruff Key
22	20616	Jackshaft
23	15X84Z	Locknut 3/8"-16
24	17X46Z	Washer
25	20613	Idler Pulley
26	20615	Jackshaft Pulley
27	20717	Blade Belt
28	20671	Idler Bracket & Brake Assembly
29	20681	Blade Idler Spring
30	20666	Front Scissor Bracket
31	20673Z	Rod - Blade Brake
32	24515Z	Blade Drive Lever Assembly
33	20719	Grip
34	24503Z	Switch Bracket
35	24508	Blade Housing
36	24521	Slotted Bracket & Bolt Assembly
37	21891	Clevis Pin
38	21892	Lifter Pin
39	1X84Z	Hex Bolt 5/16"-18X7/8"
40	15X88Z	Hex Nut 5/16"-18
41	28X23	Push-On-Cap
42	21189	Torsion Spring
43	21197Z	Deflector Rod
44	21151	Chute Deflector
45	20551	Jackshaft Housing Assembly
46	20619Z	Guide Bolt
47	20617	Blade Adapter
48	21673Z	Washer
49	20083	Blade
50	20663Z	Blade Washer
51	18X27	Lockwasher
52	15X72	Blade Mounting Nut 1/4"-20
53	2X55	Carriage Bolt
54	15X41	Hex Nut
55	15X79Z	Hex Nut
56	24527	Limit Switch
57	20581	Horn Guard
58	26X214	Screw
59	2X39	Carriage Bolt
60	15X89Z	Flange Nut
61	24592	Rear Slotted Bracket
62	23470Z	Belt Guide
63	28X39	Push-On-Cap
	404025	Complete Blade Housing Assembly

Key No.	Part No.	Description
1	26X197	Hex Tapping Screw 5/16"X5/8"
2	20636	Index Bracket
3	30X20	Cotter Pin
4	17X46Z	Washer
5	20680	Lifter Spring
6	20718	Grip - Lifter Lever
7	20658Z	Lever & Pin Assembly
8	21886Z	Lifter Rod
9	9X14	Shoulder Bolt

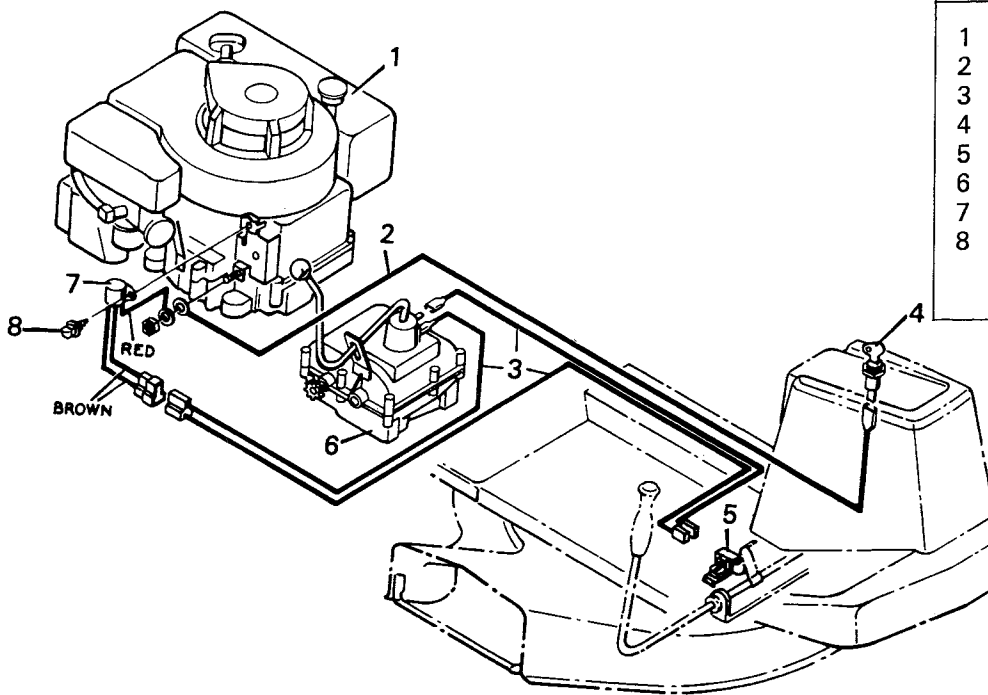
WIRING DIAGRAM

MODEL 0-2503 (RECOIL START)



Key No.	Part No.	Description
1	-----	Engine
2	23467PA	Transmission
3	24537	Wiring Harness
4	24527	Limit Switch
5	23665PA	Stop Switch & Key
6	21212	Jumper Wire
7	21361	Control Module
8	26X185	Screw
	20729	Key Only
	32618	Tie Strap (Not Illustrated)

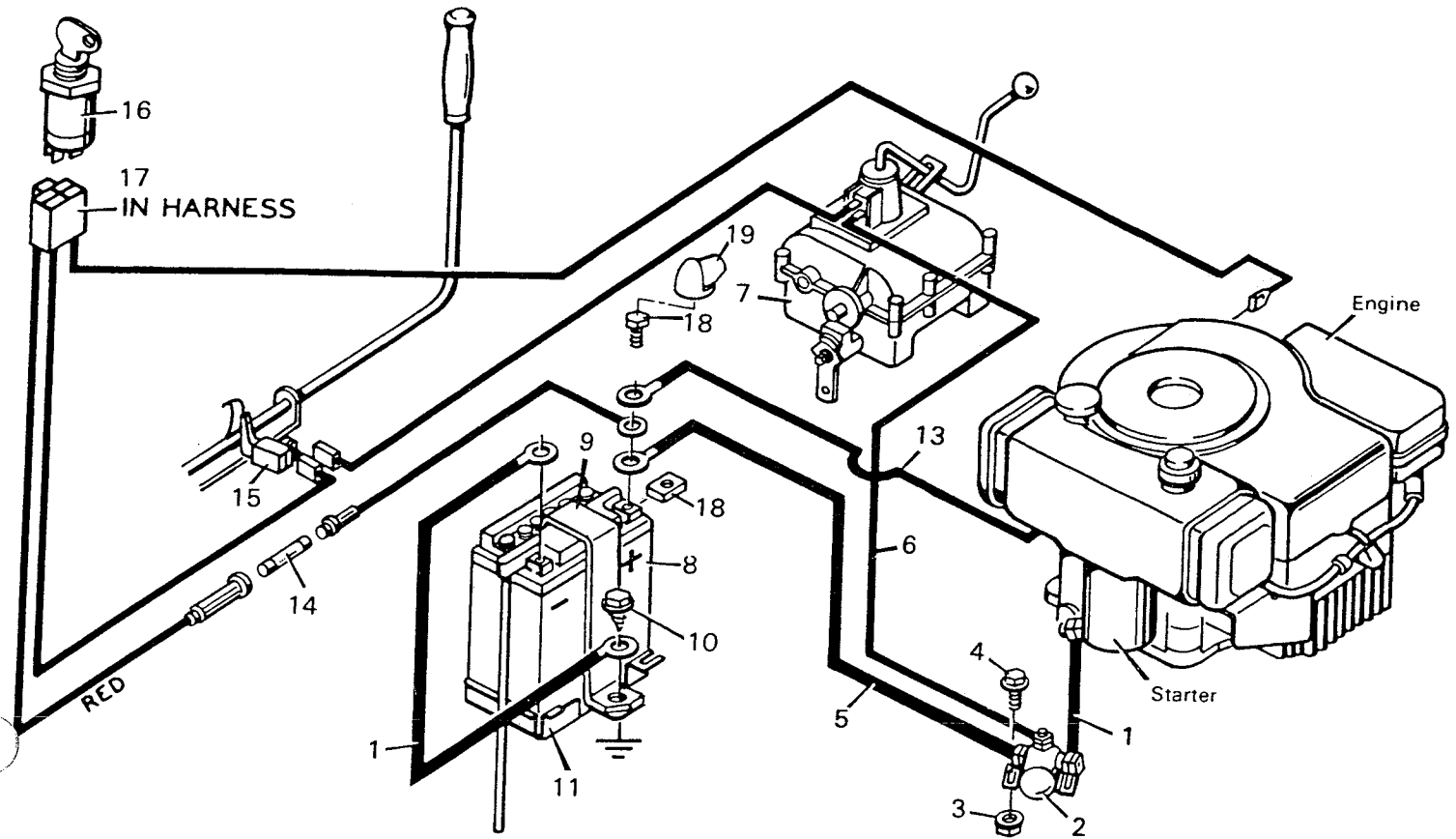
MODEL 0-2513 (RECOIL START)



Key No.	Part No.	Description
1	-----	Engine
2	20610	Jumper Wire
3	24537	Wiring Harness
4	23665PA	Stop Switch & Key
5	24527	Limit Switch
6	23467PA	Transmission
7	21361	Control Module
8	26X185	Screw
	20729	Key Only
	32618	Tie Strap (Not Illustrated)

WIRING DIAGRAM

MODEL 0-2523 (ELECTRIC START)



Key No.	Part No.	Description
1	24X10	Battery Wire (Short)
2	21261	Solenoid
3	15X66	Keps Nut
4	1X38Z	Bolt
5	24X8	Battery Wire (Long)
6	21212	Wire W/Eyelet & Spade Terminal
7	23467PA	Transmission
8	23581	Battery - JB9
9	24598	Battery Hold Down
10	26X174	Screw
11	23551	Battery Box
13	24536	Jumper Wire
14	23752	Fuse - 15 Amp.
15	24527	Limit Switch
16	21064PA	Switch & Key
17	24538	Wiring Harness
18	402012	Battery Hardware
19	23114	Positive Terminal Cover
*	23590	Battery Acid (Electrolyte)
*	32618	Tie Strap
	20729	Key Only