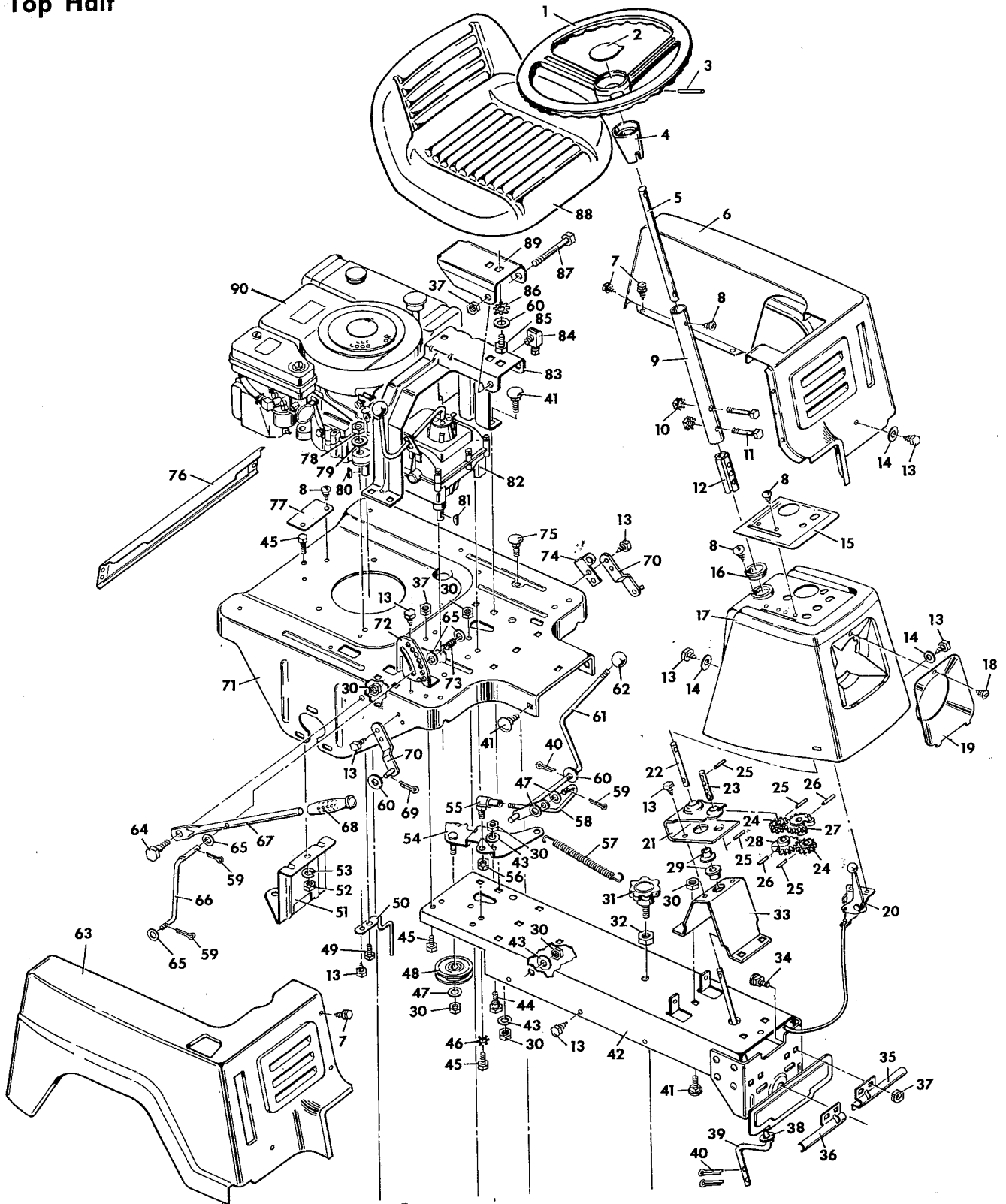
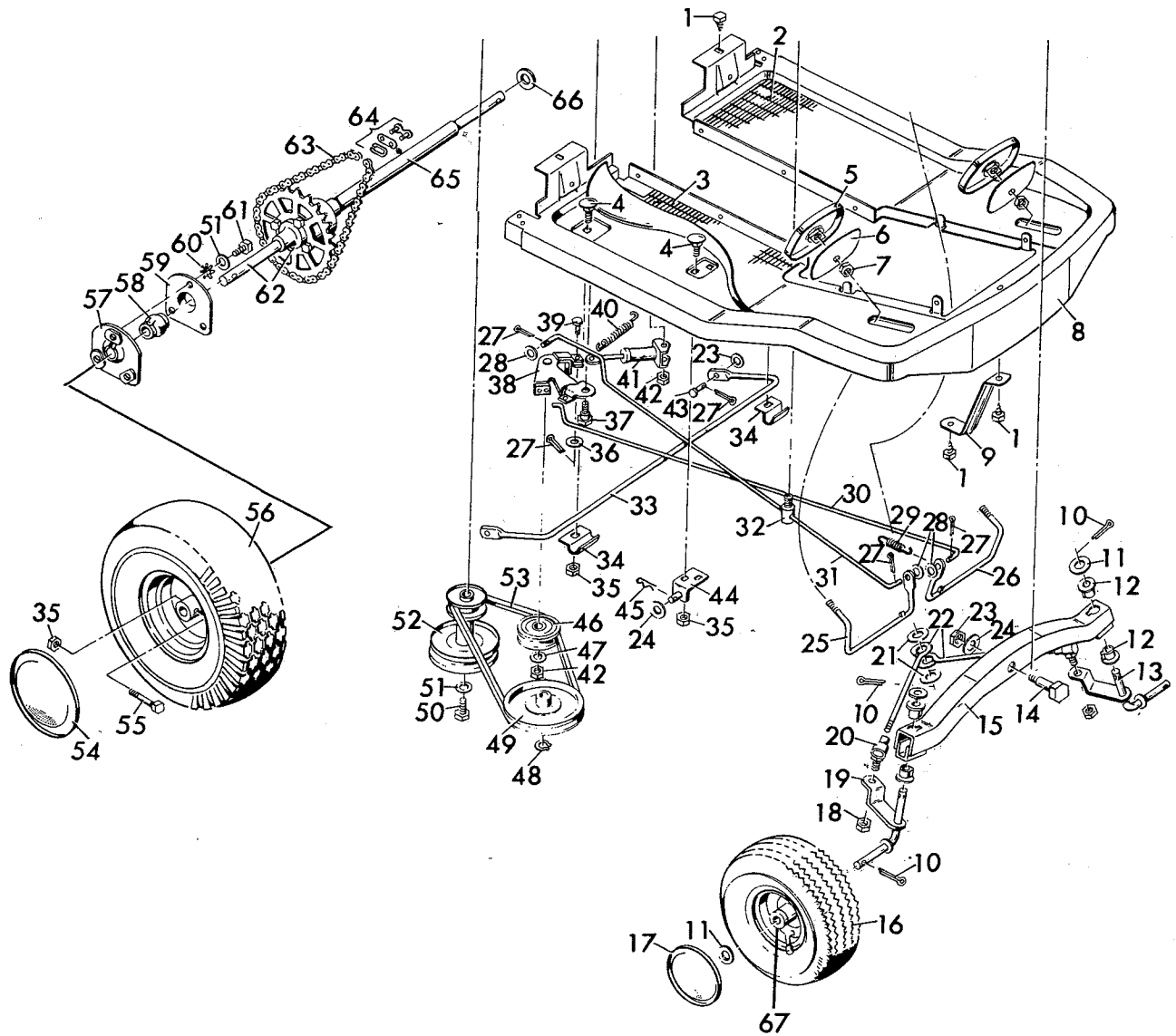


**Riding Mower 32"  
Model 3-3233  
Top Half**



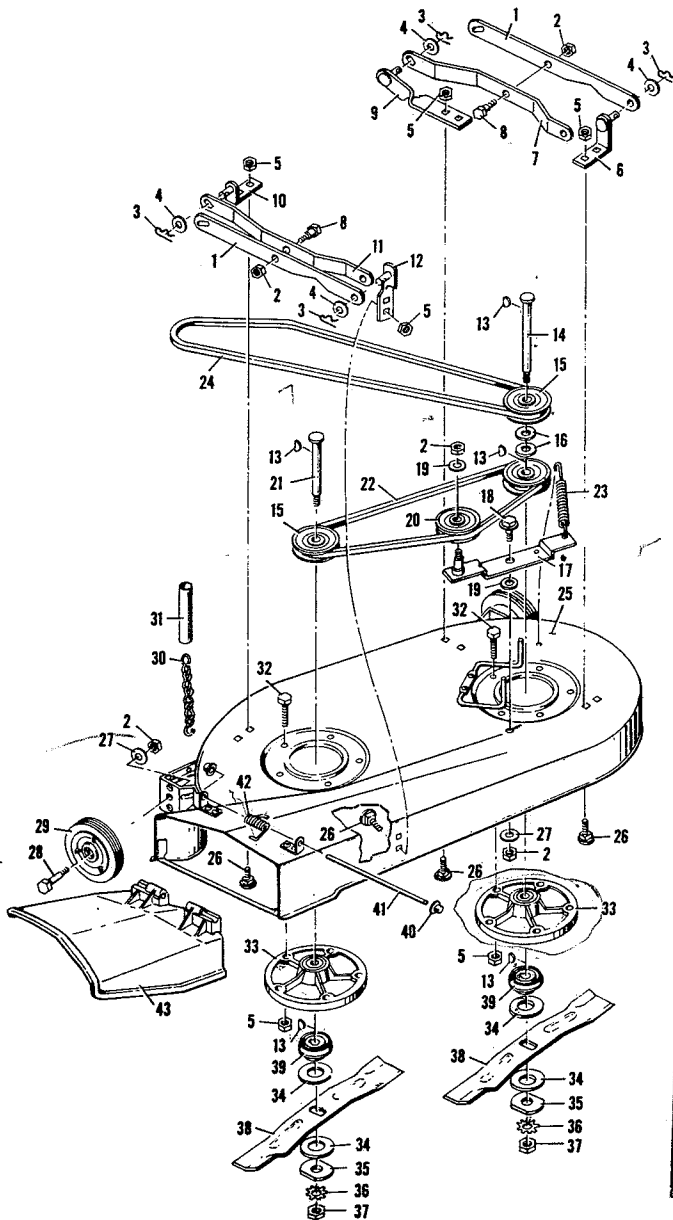
Item No.	Model 3-3233 Part No.	Description	List Price Each	Item No.	Model 3-3233 Part No.	Description	List Price Each
1	21323	Steering Wheel	9.56	46	19x6	Shakeproof Washer	.20
2	21303	Steering Wheel Cap	.20	47	17x53	Washer	.20
3	32x68	Spring Pin	.20	48	20613	Idler Pulley	3.96
4	21333	Collar	.45	49	1x66	Hex Bolt 5/16-24x1-3/8	.20
5	20866	Upper Steering Post	1.02	50	21054	Belt Guide	.40
6	20975	Shroud L. H.	10.36	51	21047Z	Hitch	2.00
7	26x184	Screw	.23	52	15x2	Hex Nut 5/16-18	.20
8	26x159	Screw	.20	53	18x15	Lockwasher	.20
9	21174C	Steering Sleeve	1.00	54	20943Z	Blade Drive Idler Assy.	2.28
10	15x76	Hex Nut - Keps 5/16-18	.20	55	21031	Ball Joint	1.58
11	6x59	Hex Bolt 5/16-18x2	.20	56	15x77	Hex Nut	.20
12	21175	Coupling	2.04	57	20683	Blade Drive Idler Spring	.84
13	26x50	Screw	.20	58	21004Z	Link Rod	1.20
14	17x45Z	Washer	.20	59	30x20	Cotter Pin	.20
15	21242	Control Plate	2.02	60	17x67	Plain Washer	.20
16	21035	Nylon Bearing	.62	61	21002Z	Blade Drive Lever Assy.	2.80
17	20985	Console Assy.	6.50	62	20739	Lever Knob	.96
18	26x172	Screw	.20	63	20972	Shroud R. H.	10.20
19	21045C	Bezel Reflector	1.84	64	20662	Shoulder Bolt	.36
20	21223	Remote Control	2.19	65	17x46	Plain Washer	.20
21	21331	Gear Support	.80	66	21005Z	Connector Rod	1.48
22	21328	Steering Post Extension	.68	67	20658C	Lifting Lever	1.62
23	21327	Idler Gear Shaft	.90	68	20718	Lifting Lever Grip	.30
24	21326	Pinion Gear	.51	69	20692	Hair Pin Cotter	.20
25	32x71	Spiral Gear Pin	.20	70	20997	Hanger Brkt. Assy.	1.20
26	32x72	Spiral Gear Pin	.20	71	20901	Engine Base	17.59
27	21329	Stop Gear Sector	1.71	72	20636	Lifter Index Brkt.	.76
28	21330	Steering Gear Sector	1.56	73	20680	Lifter Spring	.20
29	20587	Nylon Bearing	.20	74	21220	Switch Retainer	.20
30	15x12	Lock Nut 3/8-16	.20	75	2x58	Carriage Bolt	.20
31	21017	Parking Brake Knob	2.14	76	20971	Shroud Panel	1.04
32	15x74	Hex Jam Nut	.20	77	20881	Model No. Plate	.20
33	21334	Steering Support	1.66	78	15x42	Locknut 5/16-24	.20
34	2x53	Carriage Bolt 5/16-18x5/8	.20	79	17x47Z	Plain Washer	.20
35	20917	Clutch Clamp L. H.	.46	80	20062	Woodruff Key #6	.30
36	20916	Brake Clamp R. H.	.46	81	20697	Woodruff Key #9	.28
37	15x79	Flangenut 5/16-18	.20	82	21368	Transmission	.52
38	17x87	Plain Washer	.20	83	20926	Seat Bracket	3.78
39	21332	Lower Steering Post	1.50	84	20735	Oil Drain Fitting	1.58
40	30x49	Cotter Pin	.20	85	1x88	Hex Bolt 1/2-13	.20
41	2x57	Carriage Bolt	.20	86	19x36	Shakeproof Washer	.20
42	400178	Frame Channel	11.94	87	1x78	Hex Bolt 5/16-18x4-1/4	.23
43	10851 Z	Washer	.20	88	21324	Seat	24.66
44	20661	Shoulder Bolt	.36	89	21048Z	Seat Hinge	2.04
45	1x45	Bolt 5/16-18x5/8	.20	90	-----	Engine	----

**Riding Mower 32"**  
**Model 3-3233**  
**Lower Half**



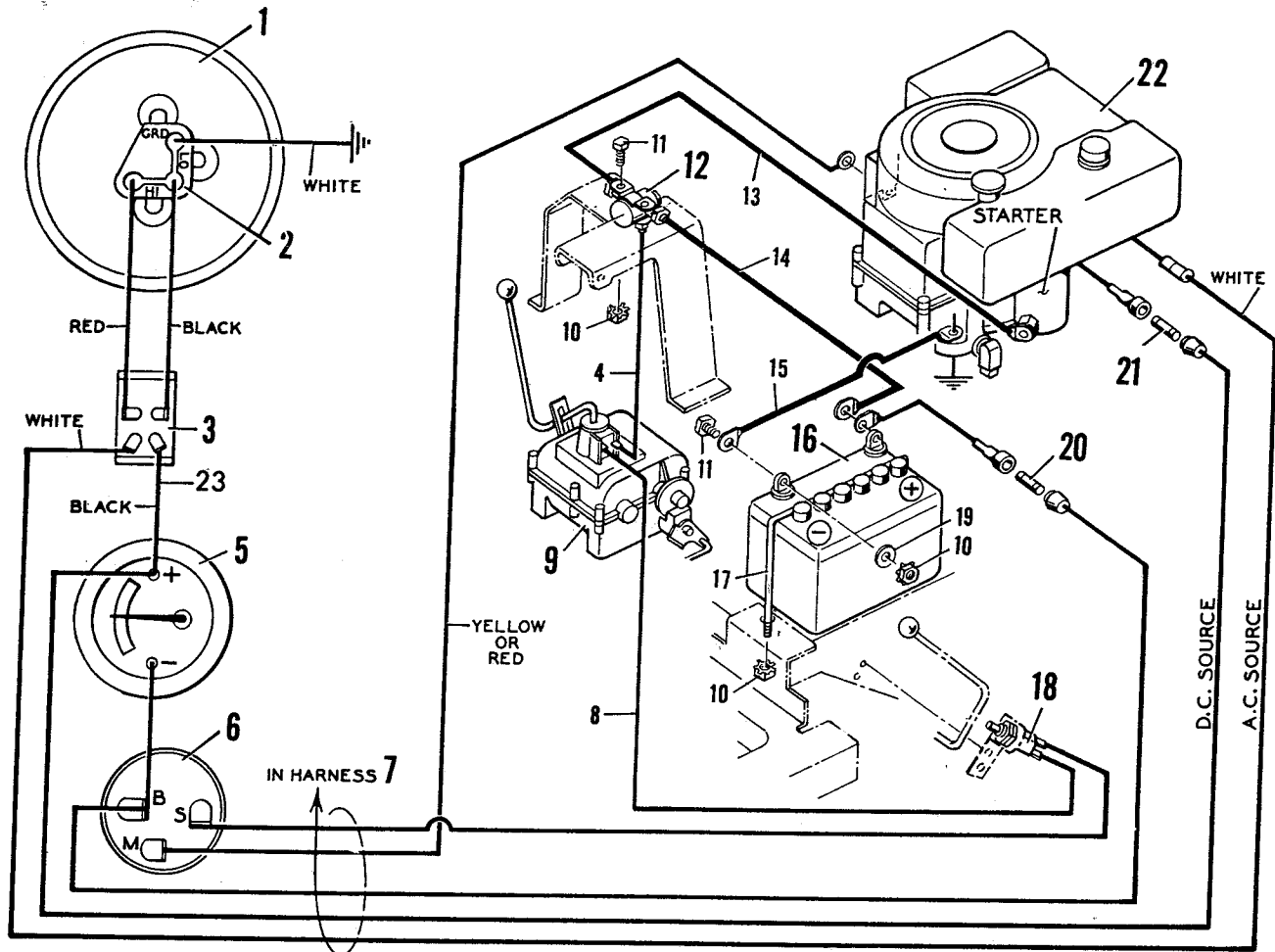
Item No.	Model 3-3233 Part No.	Description	List Price Each	Item No.	Model 3-3233 Part No.	Description	List Price Each
1	26x50	Screw	.20	35	15x43Z	Hex Nut	.23
2	21007	Rubber Mat L. H.	3.49	36	17x46Z	Plain Washer	.20
3	21006	Rubber Mat R. H.	3.49	37	20662	Shoulder Bolt	.36
4	2x53	Carriage Bolt	.20	38	20670	Drive Idler Assy.	2.70
5	20999E	Clutch and Brake Pedal	1.47	39	29x94	Clevis Pin	.20
6	21051E	Pedal Back Up Plate	.30	40	20682	Drive Idler Spring	.46
7	15x64	Hex Nut 1/2-13	.21	41	20891	Air Cylinder	2.98
8	20923	Running Board	20.67	42	15x12	Locknut 3/8-16	.20
9	20949	Support Brkt.	.52	43	29x93	Clevis Pin	.20
10	30x49	Cotter Pin	.20	44	20996	Hanger Bracket	1.16
11	17x100	Plain Washer	.20	45	20692	Hair Pin Cotter	.20
12	20939	Spindle Bearing	.40	46	20613	Idler Pulley	3.96
13	20953	Spindle Assy. L. H.	3.04	47	17x53	Plain Washer	.20
14	20908	Shoulder Bolt	2.34	48	20698	Retainer Ring	.20
15	20914	Front Axle Assy.	4.99	49	20614	Transmission Pulley	3.83
16	20744	Front Wheel and Tire	22.96	50	1x20	Hex Bolt 3/8-24x1	.20
	133x4	Tire Only	16.34	51	10851 Z	Washer	.20
	135x4	Wheel Only	9.13	52	21014 Z	Stack Pulley Assy.	4.31
17	21081	Hub Cap	2.68	53	20716	Drive Belt	2.44
18	15x77	Hex Nut 3/8-24	.20	54	20797	Hub Cap	2.84
19	20952	Spindle Assy. R. H.	3.04	55	1x81	Hex Bolt 5/16-18x1-5/8	.20
20	21031	Ball Joint	1.58	56	20754	Rear Wheel and Tire	31.08
21	17x87	Plain Washer	.20		133x6	Tire Only	25.58
22	20948	Tie Rod	.80		135x6	Wheel Only	10.58
23	15x41	Locknut	.20		400162	Valve Stem and Cap	.89
24	17x67	Plain Washer	.20	57	21009 Z	Outer Bearing Retainer Assy.	1.08
25	20918	Brake Lever R. H.	1.26	58	20568	Rear Axle Bearing	3.07
26	20919	Clutch Lever L. H.	1.26	59	20570 Z	Bearing Retainer	.54
27	30x20	Cotter Pin	.20	60	19x7	Shakeproof Washer	.20
28	17x46	Plain Washer	.20	61	1x77	Hex Bolt 3/8-24x3/4	.20
29	21041	Pedal Snubber Spring	.34	62	21000	Differential and Axle	28.25
30	21129	Clutch Rod	.43	63	20733	Chain and Link #41	3.40
31	21128	Brake Rod	.90	64	20730	Connecting Link #41 Chain	.34
32	21016	Parking Brake Base	2.28	65	20848 Z	Rear Axle Sleeve	.72
33	20942	Lifter Rod	2.74	66	61961 Z	Washer	.20
34	20993	Lifter Clamp	.22	67	20745	Wheel Bearing	.36

**Blade Housing  
Riding Mower  
Model 3-3233**



Item No.	Model 3-3233 Part No.	Description	List Price Each
1	20644	Outer Scissor Arm	1.64
2	15x12	Locknut	.20
3	20692	Hair Pin Cotter	.20
4	17x67Z	Plain Washer	.20
5	15x79	Locknut	.20
6	20995	Scissor Brkt. Assy. L.H. Front	1.18
7	20643	Inner Scissor Arm L.H.	1.80
8	20661	Shoulder Bolt	.36
9	21020	Scissor Brkt. Assy. L.H. Rear	1.54
10	20994	Scissor Brkt. Assy. R.H. Rear	1.14
11	20642	Inner Scissor Arm R.H.	1.80
12	21018	Scissor Brkt. Assy. R.H. Front	1.28
13	20062	Woodruff Key #6	.30
14	21024	Jackshaft Long	3.09
15	21022	Jackshaft Pulley	2.79
16	17x87Z	Plain Washer	.20
17	21139Z	Idler Brkt. Assy.	.76
18	20662	Shoulder Bolt	.36
19	17x53Z	Plain Washer	.20
20	20613	Idler Pulley	3.96
21	20616	Jackshaft	2.75
22	21059	Cross Drive Belt	3.19
23	20683	Drive Idler Spring	.84
24	21058	Blade Drive Belt	3.77
25	400182	Blade Housing Assy.	15.02
26	2x53	Carriage Bolt	.20
27	10851 Z	Washer	.20
28	20086	Axle Bolt	.28
29	21027	Gauge Wheel	2.14
30	21028	Lifter Chain	.52
31	20989	Chain Cover	.33
32	1x73	Hex Bolt	.20
33	20551	Jackshaft Housing	7.90
34	20618	Blade Cushion	.40
35	20663Z	Blade Washer	.30
36	19x36	Shakeproof Washer	.20
37	15x72	Hex Nut	.20
38	20929	Blade	2.64
39	20617	Blade Adapter	1.46
40	28x23	Push-On-Cap	.20
41	21197Z	Pivot Rod	.20
42	21189	Torsion Spring	.52
43	21153	Chute Deflector	1.71

**Electric System**  
**Models 3-3233 and 3-3633**



Item No.	Model 3-3233 3-3633 Part No.	Description	List Price Each
1	20837	Seal Beam Light	5.09
2	21074	Socket	2.38
3	20776	Light Switch	4.18
4	21265	Jumper Wire	.26
5	21057	Ammeter	3.54
6	21267	Switch and Key	3.78
7	21262	Wiring Harness Assy.	4.58
8	20609	Jumper Wire	.31
9	21368	Transmission	76.52
10	15x66	Keps Nut	.25
11	1x38	Hex Bolt	.20
12	21261	Solenoid Switch	6.70
13	21264	Battery Wire (Long)	1.92
14	21263	Battery Wire (Short)	1.47
15	21038	Battery Cable	2.82
16	21075	Battery	38.79
17	21053Z	Battery Hold Down	.56
18	20608	Limit Switch	1.01
19	17x36Z	Washer	.20
20	21023	Fuse - 15 Amp.	.20
21	21080	Fuse - 7.5 Amp.	.20
22	----	Engine (See Mower Parts List)	----
23	21298	Jumper Wire	.22
	20729	Switch Key	.76