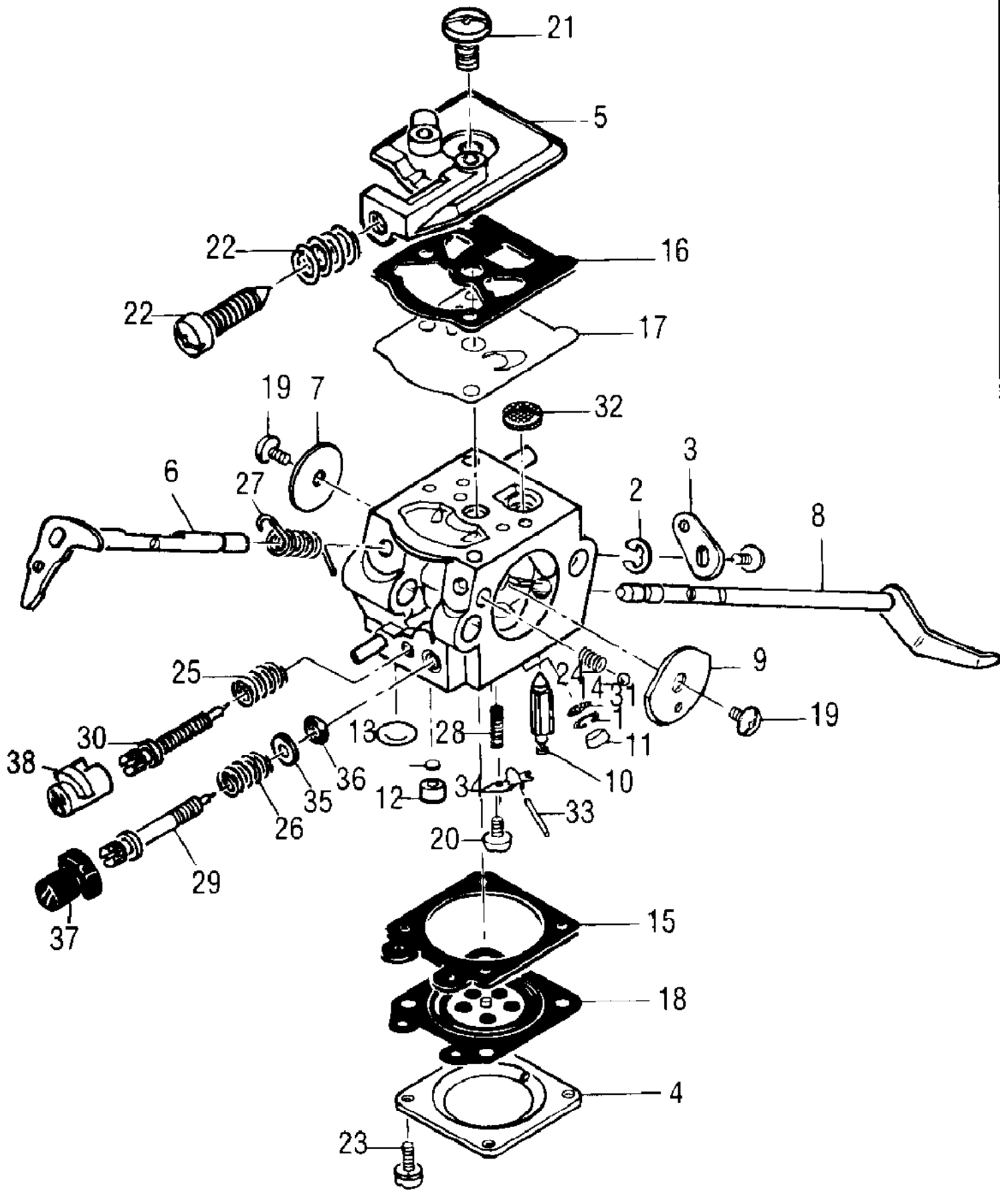


| Ref # | Part Number | Qty | Description  |
|-------|-------------|-----|--|
| 1     | 323602-03   | 1   | Carburetor, Zama C1U M29D New Part.  |
|       |             | 1   | Ring, Screen Retainer Not available individually. Included in Zama C1U M29D Carburetor P/N 323602-03.                            |
| 2     |             | 1   | Collar Not available individually. Included in Zama C1U M29D Carburetor P/N 323602-03.   |
| 3     |             | 1   | Lever, Throttle Not available individually. Included in Zama C1U M29D Carburetor P/N 323602-03.                                  |
| 4     |             | 1   | Cover, Metering Lever Not available individually. Included in Zama C1U M29D Carburetor P/N 323602-03.                            |
| 5     | 300456      | 1   | Cover, Fuel Pump   |
| 6     |             | 1   | Shaft Asy, Throttle Included in Zama C1U M29D Carburetor P/N 323602-03 & Fuel Pump Cover P/N 300456. Not available individually. |
| 7     |             | 1   | Valve, Throttle Not available individually.  |
| 8     |             | 1   | Shaft Asy Choke Not available individually.  |
| 9     |             | 1   | Valve, Choke Not available individually.   |
| 10    |             | 1   | Valve, Inlet Needle Not available individually.  |
| 11    |             | 1   | Plug, Welch Not available individually.  |
| 12    |             | 1   | Ball, Choke Friction Not available individually.   |
| 13    |             | 1   | Gasket, Metering Diaphragm Not available individually.   |
| 14    |             | 1   | Gasket, Fuel Pump Not available individually.  |
| 15    |             | 1   | Diaphragm, Fuel Pump Not available individually.   |
| 16    |             | 1   | Diaphragm Asy, Metering Not available individually.  |
| 17    |             | 1   | Screw, Valve Not available individually.   |
| 18    |             | 1   | Screw, Valve Not available individually.   |
| 19    |             | 1   | Screw, Metering Lever Pin Not available individually.  |
| 20    |             | 2   | Screw, Pump Cover Not available individually.  |
| 21    |             | 1   | Screw, Idle Adjust Kit Not available individually.   |
| 22    |             | 2   | Screw, Metering Cover Not available individually.  |
| 23    |             | 1   | Spring, Choke Friction Not available individually.   |
| 24    |             | 2   | Spring Needle Not available individually.  |
| 25    |             | 1   | Spring, Throttle Return Not available individually.  |
| 26    |             | 1   | Spring, Metering Lever Not available individually.   |
| 27    |             | 1   | Needle, High Speed Not available individually.   |
| 28    |             | 1   | Needle, Low Speed Not available individually.  |
| 29    |             | 1   | Screen, Check Valve Not available individually.  |
| 30    |             | 1   | Screen, Fuel Inlet Not available individually.   |
| 31    |             | 1   | Pin, Metering Lever Not available individually.  |
| 32    |             | 1   | Lever, Metering Not available individually.  |
| 33    |             | 1   | Nozzle Asy, Check Valve Not available individually.  |
| 34    |             | 1   | Screw, Throttle Lever Not available individually.  |
| 35    | 323603      | 1   | Cap, Limiter, High, Black  |
| 36    | 323604      | 1   | Cap, Limiter, Low, White   |
|       | 300454      |     | Kit, Major Repair RB-48  |
|       | 300473      |     | Kit, Gasket/Diaphragm GND-13   |
|       | 322358      |     | Kit, Choke Lever 40-999  |



| Ref # | Part Number | Qty | Description   |
|-------|-------------|-----|---|
| 1     | 323602-03   | 1   | Carburetor, Walbro WT 434 New Part.<br>Ring, Screen Retainer Not available individually.<br>Included in P/N 323602-03 Walbro WT 434 Carburetor. |
| 2     |             | 1   | Ring, Shaft Retainer Not available individually.<br>Included in P/N 323602-03 Walbro WT 434 Carburetor.   |
| 3     |             | 1   | Lever, Throttle Not available individually. Included in P/N 323602-03 Walbro WT 434 Carburetor.   |
| 4     |             | 1   | Cover, Metering Lever Not available individually.<br>Included in P/N 323602-03 Walbro WT 434 Carburetor.  |
| 5     | 300072      | 1   | Cover, Fuel Pump Included in P/N 323602-03 Walbro WT 434 Carburetor.  |
| 6     |             | 1   | Shaft Asy, Throttle Not available individually. Included in P/N 323602-03 Walbro WT 434 Carburetor & Fuel Pump Cover P/N 300072.                |
| 7     |             | 1   | Valve, Throttle Not available individually. Included in P/N 323602-03 Walbro WT 434 Carburetor & Fuel Pump Cover P/N 300072.                    |
| 8     |             | 1   | Shaft Asy, Choke Not available individually. Included in P/N 323602-03 Walbro WT 434 Carburetor & Fuel Pump Cover P/N 300072.                   |
| 9     |             | 1   | Valve, Choke Not available individually. Included in P/N 323602-03 Walbro WT 434 Carburetor & Fuel Pump Cover P/N 300072.                       |
| 10    |             | 1   | Valve, Inlet Needle Not available individually. Included in P/N 323602-03 Walbro WT 434 Carburetor & Fuel Pump Cover P/N 300072.                |
| 11    |             | 1   | Seat Asy, Check Valve Not available individually.<br>Included in P/N 323602-03 Walbro WT 434 Carburetor & Fuel Pump Cover P/N 300072.           |
| 12    |             | 1   | Plug, Cup Not available individually. Included in P/N 323602-03 Walbro WT 434 Carburetor & Fuel Pump Cover P/N 300072.                          |
| 13    |             | 1   | Plug, Welch Not available individually. Included in P/N 323602-03 Walbro WT 434 Carburetor & Fuel Pump Cover P/N 300072.                        |
| 14    |             | 1   | Ball, Choke Friction Not available individually. Included in P/N 323602-03 Walbro WT 434 Carburetor & Fuel Pump Cover P/N 300072.               |
| 15    |             | 1   | Gasket, Metering Diaphragm Not available individually. Included in P/N 323602-03 Walbro WT 434 Carburetor & Fuel Pump Cover P/N 300072.         |
| 16    |             | 1   | Gasket, Fuel Pump Not available individually. Included in P/N 323602-03 Walbro WT 434 Carburetor & Fuel Pump Cover P/N 300072.                  |

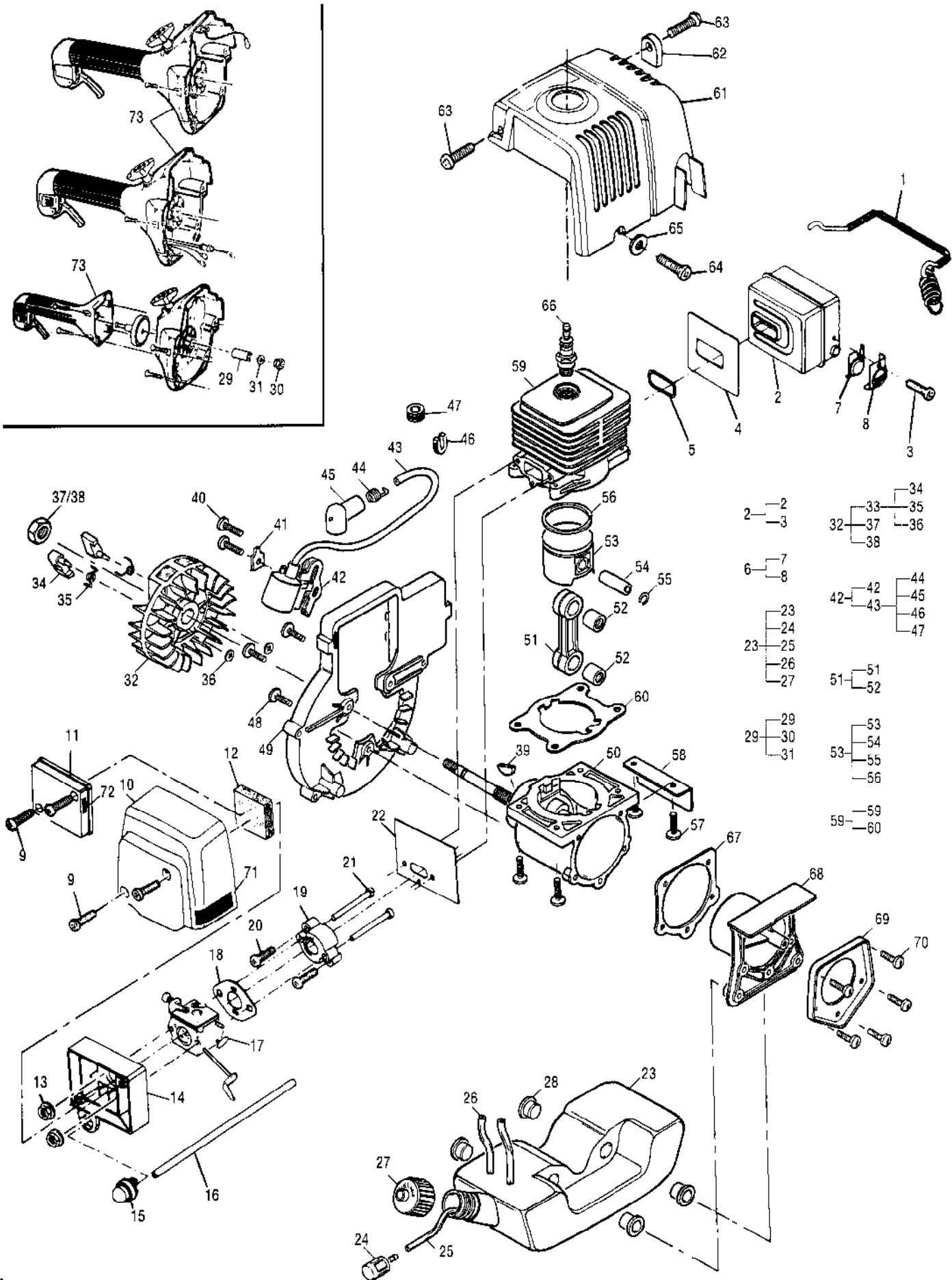
| Ref # | Part Number | Qty | Description  |
|-------|-------------|-----|--|
| 17    |             | 1   | Diaphragm, Fuel Pump Not available individually. Included in P/N 323602-03 Walbro WT 434 Carburetor & Fuel Pump Cover P/N 300072.      |
| 18    |             | 1   | Diaphragm Asy, Metering Not available individually. Included in P/N 323602-03 Walbro WT 434 Carburetor & Fuel Pump Cover P/N 300072.   |
| 19    |             | 2   | Screw, Valve Not available individually. Included in P/N 323602-03 Walbro WT 434 Carburetor & Fuel Pump Cover P/N 300072.              |
| 20    |             | 1   | Screw, Metering Lever Pin Not available individually. Included in P/N 323602-03 Walbro WT 434 Carburetor & Fuel Pump Cover P/N 300072. |
| 21    |             | 1   | Screw, Pump Cover Not available individually. Included in P/N 323602-03 Walbro WT 434 Carburetor & Fuel Pump Cover P/N 300072.         |
| 22    |             | 1   | Spring, Idle Adjust Kit Not available individually. Included in P/N 323602-03 Walbro WT 434 Carburetor & Fuel Pump Cover P/N 300072.   |
| 23    |             | 4   | Screw, Metering Cover Not available individually. Included in P/N 323602-03 Walbro WT 434 Carburetor & Fuel Pump Cover P/N 300072.     |
| 24    |             | 1   | Spring, Choke Friction Not available individually. Included in P/N 323602-03 Walbro WT 434 Carburetor & Fuel Pump Cover P/N 300072.    |
| 25    |             | 1   | Spring, Idle Needle Not available individually. Included in P/N 323602-03 Walbro WT 434 Carburetor & Fuel Pump Cover P/N 300072.       |
| 26    |             | 1   | Spring, High Speed Needle Not available individually. Included in P/N 323602-03 Walbro WT 434 Carburetor & Fuel Pump Cover P/N 300072. |
| 27    |             | 1   | Spring, Throttle Return Not available individually. Included in P/N 323602-03 Walbro WT 434 Carburetor & Fuel Pump Cover P/N 300072.   |
| 28    |             | 1   | Spring, Metering Lever Not available individually. Included in P/N 323602-03 Walbro WT 434 Carburetor & Fuel Pump Cover P/N 300072.    |
| 29    |             | 1   | Needle, High Speed Not available individually. Included in P/N 323602-03 Walbro WT 434 Carburetor & Fuel Pump Cover P/N 300072.        |
| 30    |             | 1   | Needle, Low Speed Not available individually. Included in P/N 323602-03 Walbro WT 434 Carburetor & Fuel Pump Cover P/N 300072.         |
| 31    |             | 2   | Screen, Check Valve Not available individually. Included in P/N 323602-03 Walbro WT 434 Carburetor & Fuel Pump Cover P/N 300072.       |

| Ref # | Part Number | Qty | Description  |
|-------|-------------|-----|--|
| 32    |             | 1   | Screen, Fuel Inlet Not available individually. Included in P/N 323602-03 Walbro WT 434 Carburetor & Fuel Pump Cover P/N 300072.  |
| 33    |             | 1   | Pin, Metering Lever Not available individually. Included in P/N 323602-03 Walbro WT 434 Carburetor & Fuel Pump Cover P/N 300072. |
| 34    |             | 1   | Lever, Metering Not available individually. Included in P/N 323602-03 Walbro WT 434 Carburetor & Fuel Pump Cover P/N 300072.     |
| 35    |             | 1   | Ring, High Speed Not available individually. Included in P/N 323602-03 Walbro WT 434 Carburetor & Fuel Pump Cover P/N 300072.    |
| 36    |             | 1   | Washer, High Speed Not available individually. Included in P/N 323602-03 Walbro WT 434 Carburetor & Fuel Pump Cover P/N 300072.  |
| 37    | 323601      | 1   | Cap. Limiter, High, Black Included in P/N 323602-03 Walbro WT 434 Carburetor & Fuel Pump Cover P/N 300072.                       |
| 38    | 323602      | 1   | Cap, Limiter, Low, White Included in P/N 323602-03 Walbro WT 434 Carburetor & Fuel Pump Cover P/N 300072.                        |
|       | 300457      |     | Kit, Major Repair A1117WT  |
|       | 224460      |     | Kit, Gasket/Diaphragm (B1106WT)  |
|       | 322363      |     | Kit, Choke Lever 40-999  |

No  
Diagram  
Available  
  
Parts List  
Only

| Ref # | Part Number | Qty | Description   |
|-------|-------------|-----|---|
|       | 322235-02   |     | Loctite Kit   |
|       | 322236      |     | Retaining Compound 620 (10 ml) Included in Loctite Kit P/N 322235-02.   |
|       | 322237      |     | Thread Locker 242 (10 ml) Included in Loctite Kit P/N 322235-02.        |
|       | 322238      |     | Gasket Eliminator 518 (50 ml) Included in Loctite Kit P/N 322235-02.    |
|       | 322239-01   |     | Black Max 380 (3 ml) Included in Loctite Kit P/N 322235-02.             |
|       | 323749      |     | Thread Locker 262 (10 ml) Included in Loctite Kit P/N 322235-02.        |
|       | 323762      |     | Anti-Seize Lubricant 767 (30 ml) Included in Loctite Kit P/N 322235-02. |





| Ref # | Part Number | Qty | Description  |
|-------|-------------|-----|--|
| 1     | 224044      | 1   | Spring, Muffler  |
| 2     | 224034      | 1   | Kit, Muffler New Part.   |
| 3     | 111072      | 1   | Screw, 8-18 x.31 Pn Dh Sl Torx Included in Muffler Kit P/N 224034.   |
| 4     | 224228      | 1   | Gasket, Muffler  |
| 5     | 224922      | 1   | Gasket, Exhaust Port   |
| 6     | 302424      | 1   | Kit, Spark Arrester New Part.  |
| 7     | 224040      | 1   | Screen, Spark Arrester Included in Spark Arrester Kit P/N 302424.  |
| 8     | 322032      | 1   | Cover, Spark Arrester Included in Spark Arrester Kit P/N 302424.   |
| 9     | 111055      | 2   | Screw, 10-24 x .625, Plast   |
| 10    | 224236      | 1   | Cover, Air Cleaner, Large (Black)  |
| 10    | 22423672    | 1   | Cover, Air Cleaner, Large (Green)  |
| 11    | 224237      | 1   | Cover, Air Cleaner, Small (Black)  |
| 12    | 224239      | 1   | Filter, Air  |
| 13    | 111058      | 2   | Nut, 10-24 Hex, Flange Torque to 25-30 IN/LBS  |
| 14    | 224238      | 1   | Box, Air (Blk)   |
| 15    | 22424202    | 1   | Primer, Remote   |
| 16    | 225163      | 1   | Hose, Fuel Return  |
| 17    |             | 1   | Carburetor w/Choke Not available individually. See "Shaft/Handle/Stringhead Assembly" Illustration & Parts List. |
| 18    | 218933      | 1   | Gasket, Carburetor   |
| 19    | 22404102    | 1   | Insulator, Carburetor New Part.  |
| 20    | 111053      | 2   | Screw, 10-24 x .88 Thd Form Torque to 45-50 IN/LBS Loctite 242 required  |
| 21    | 111057      | 2   | Screw, 10-24 Spl   |
| 22    | 322031      | 1   | Gasket, Manifold   |
| 23    | 302349      | 1   | Tank, Fuel (Natural)   |
| 24    | 216985      | 1   | Filter, Fuel New Part. Included in Fuel Tank P/N 302349.   |
| 25    | 225162      | 1   | Hose, Fuel Included in Fuel Tank P/N 302349.   |
| 26    | 225163      | 1   | Hose, Fuel Return Included in Fuel Tank P/N 302349.  |
| 27    | 223508      | 1   | Cap, Fuel, w/Retainer New Part. Included in Fuel Tank P/N 302349.  |
| 28    | 322105      | 4   | Isolator, Fuel Tank  |
| 29    | 301114      | 1   | Kit, Spacer, Clutch  |
| 30    | 322847      | 1   | Nut, Hex, 7/16-20 Included in Spacer Clutch Kit P/N 301114.  |
| 31    | 322844      | 1   | Washer, Shaft Included in Spacer Clutch Kit P/N 301114.  |
| 32    | 30082701    | 1   | Kit, Flywheel, 28/32 New Part.   |
| 33    |             | 1   | Kit, Pawls/Flywheel Not available individually. Included in Flywheel Kit P/N 300827-01.                          |
| 34    | 322297      | 2   | Pawl, Starter New Part. Included in Flywheel Kit P/N 300827-01 & Pawls/Flywheel Kit.                             |
| 35    | 322835      | 2   | Spring, Starter Pawl New Part Included in Flywheel Kit P/N 300827-01 & Pawls/Flywheel Kit.                       |

| Ref # | Part Number | Qty | Description   |
|-------|-------------|-----|---|
| 36    | 111086      | 2   | Ring, Retainer Included in Flywheel Kit P/N 300827-01 & Pawls/Flywheel Kit.   |
| 37    | 111085      | 1   | Nut, Direct Drive Torque to 140-145 IN/LBS Loctite 242 Required Included in Flywheel Kit P/N 300827-01.               |
| 38    | 322847      | 1   | Nut, 7/16-20, Clutch Drive Torque to 140-145 IN/LBS Loctite 242 Required Included in Flywheel Kit P/N 300827-01.      |
| 39    | 102164      | 1   | Key, Flywheel   |
| 40    | 111053      | 2   | Screw, 10-24 x .88 Thd Form Torque to 45-50 IN/LBS Loctite 242 required   |
| 41    | 300321      | 1   | Terminal Tab  |
| 42    | 302138      | 1   | Ignition Asy  |
| 43    | 223884      | 1   | Kit, Spark Plug Wire Included in Ignition Asy. P/N 302138.  |
| 44    | 102556      | 1   | Connector, Spark Included in Ignition Asy. P/N 302138 & Spark Plug Wire Kit P/N 223884.                               |
| 45    | 95266       | 1   | Boot, Spark Plug Included in Ignition Asy. P/N 302138 & Spark Plug Wire Kit P/N 223884.                               |
| 46    | 21553301    | 1   | Grommet, H/T Lead, Split Included in Ignition Asy. P/N 302138 & Spark Plug Wire Kit P/N 223884.                       |
| 47    | 110995      | 1   | Grommet, S/Plug Wire Included in Ignition Asy. P/N 302138 & Spark Plug Wire Kit P/N 223884.                           |
| 48    | 111067      | 3   | Screw, 10-24x.63 SITor Tp Torque to 55-60 IN/LBS Loctite 242 required   |
| 49    | 224042      | 1   | Shroud, Engine  |
| 50    | 301539      | 1   | C'case/C'shaft Asy, Direct Drive  |
|       |             | 1   | C'case Asy Not available individually. Included in C'case/C'shaft Asy. Direct Drive P/N 301539.                       |
|       |             | 1   | C'case, Machined Not available individually. Included in C'case/C'shaft Asy. Direct Drive P/N 301539.                 |
|       |             | 1   | Bearing 6202 Not available individually. Included in C'case/C'shaft Asy. Direct Drive P/N 301539 & C'case Machined.   |
|       |             | 1   | Bearing 6202RS Not available individually. Included in C'case/C'shaft Asy. Direct Drive P/N 301539 & C'case Machined. |
|       |             | 1   | Seal Not available individually. Included in C'case/C'shaft Asy. Direct Drive P/N 301539 & C'case Machined.           |
|       |             | 1   | Spacer Not available individually. Included in C'case/C'shaft Asy. Direct Drive P/N 301539 & C'case Machined.         |
|       |             | 1   | O-ring Not available individually. Included in C'case/C'shaft Asy. Direct Drive P/N 301539 & C'case Machined.         |
| 50    | 301821      | 1   | C'case/C'shaft Asy, Clutch Drive New Part.  |

| Ref # | Part Number | Qty | Description   |
|-------|-------------|-----|---|
|       |             | 1   | C'shaft Asy Not available individually. Included in C'case/C'shaft Asy. Clutch Drive P/N 301821.                      |
|       |             | 1   | C'case, Machined Not available individually. Included in C'case/C'shaft Asy. Clutch Drive P/N 301821.                 |
|       |             | 1   | Bearing 6202 Not available individually. Included in C'case/C'shaft Asy. Clutch Drive P/N 301821 & C'case Machined.   |
|       |             | 1   | Bearing 6202RS Not available individually. Included in C'case/C'shaft Asy. Clutch Drive P/N 301821 & C'case Machined. |
|       |             | 1   | Seal Not available individually. Included in C'case/C'shaft Asy. Clutch Drive P/N 301821 & C'case Machined.           |
|       |             | 1   | Spacer Not available individually. Included in C'case/C'shaft Asy. Clutch Drive P/N 301821 & C'case Machined.         |
|       |             | 1   | O Ring Not available individually. Included in C'case/C'shaft Asy. Clutch Drive P/N 301821 & C'case Machined.         |
| 51    | 301982      | 1   | Rod, Connecting Asy New Part.   |
| 52    | 91117       | 2   | Bearing Included in Rod, Connecting Asy. P/N 301982.  |
| 53    | 300661      | 1   | Kit, Piston, 28cc Aluminum  |
| 53    | 300663      | 1   | Kit, Piston, 32cc Aluminum  |
| 54    | 300482      | 1   | Pin, C'shaft Piston Included in Aluminum Piston 28cc Kit P/N 300661 & Aluminum Piston 32cc Kit P/N 300663.            |
| 55    | 215876      | 1   | Ring, Retaining Included in Aluminum Piston 28cc Kit P/N 300661 & Aluminum Piston 32cc Kit P/N 300663.                |
| 56    | 224224      | 1   | Ring, Piston, 35mm Included in Aluminum Piston 28cc Kit P/N 300661.   |
| 56    | 224217      | 1   | Ring, Piston Included in Aluminum Piston 32cc Kit P/N 300663.   |
| 57    | 111065      | 4   | Screw, 10-24 x .688 Tri Rnd Torque to 55-60 IN/LBS Loctite 242 required   |
| 58    | 322030      | 1   | Shield Muffler  |
| 59    | 300452      | 1   | OS Kit, Cylinder/Gasket, 28cc Chrome  |
| 59    | 300453      | 1   | Kit, Cylinder/Gasket, 32cc Chrome   |
| 60    | 224022      | 1   | Gasket, Cylinder Included In Cylinder/Gasket 28cc Kit P/N 300452 & Cylinder/Gasket 32cc Kit P/N 300453.               |
| 61    | 224235      | 1   | Cover, Cylinder/Muffler (Black)   |
| 62    | 322210      | 1   | Washer, Plastic   |
| 63    | 111067      | 2   | Screw, 10-24 x .63 SI Torx Tp   |
| 64    | 111068      | 1   | Screw, 10-14 x 1.38 Taptite   |
| 65    | 93469       | 1   | Washer, .4690D/.2221D   |
| 66    | 92879       | 1   | Spark Plug, RDJ&J Torque to 110-120 IN/LBS  |
| 67    | 224023      | 1   | Gasket, C'case  |
| 68    | 22402401    | 1   | Plug, C'case New Part.  |

| Ref # | Part Number | Qty | Description   |
|-------|-------------|-----|---|
| 69    | 32243790    | 1   | Plate, C'case, Coated Finish New Part.  |
| 70    | 111065      | 5   | Screw, 10-24 x .688 Tri Rnd Torque to 35-40 IN/LBS<br>Loctite 242 required                        |
| 71    | 322240      | 1   | Label, Choke (Vertical)   |
| 72    | 322480      | 1   | Label, Staring Inst (Eng) For models with slide to stop<br>switch.                                |
| 73    |             | 1   | Starter/Clutch Housing Asy. See "Starter/Clutch<br>Housing Assembly" Illustration and Parts List. |



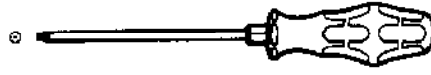
PN 111124 - T-27 Torx Dr 3 5 in



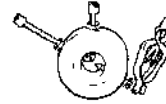
PN 222785 - T-25 Torx dr 3 5 in



PN 217720 - Torx Dr Set



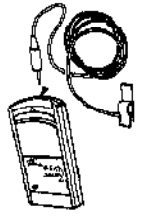
PN 323754 - Torx Dr Set of 6  
Bit Sizes Tx 10 15 20 25 27 30



PN 323330  
Ignition Tester

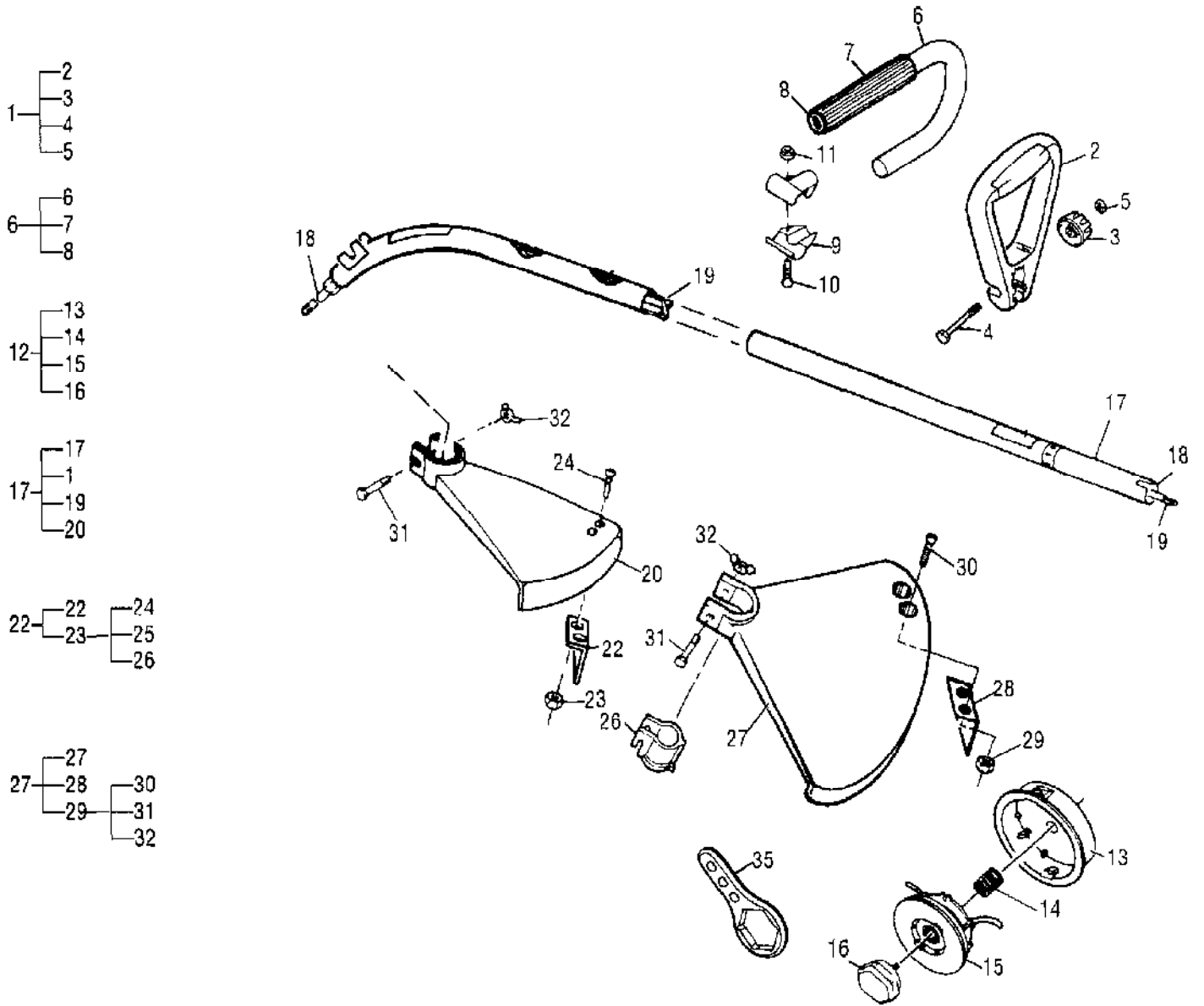


PN 215432-01  
Pressure Test Tool



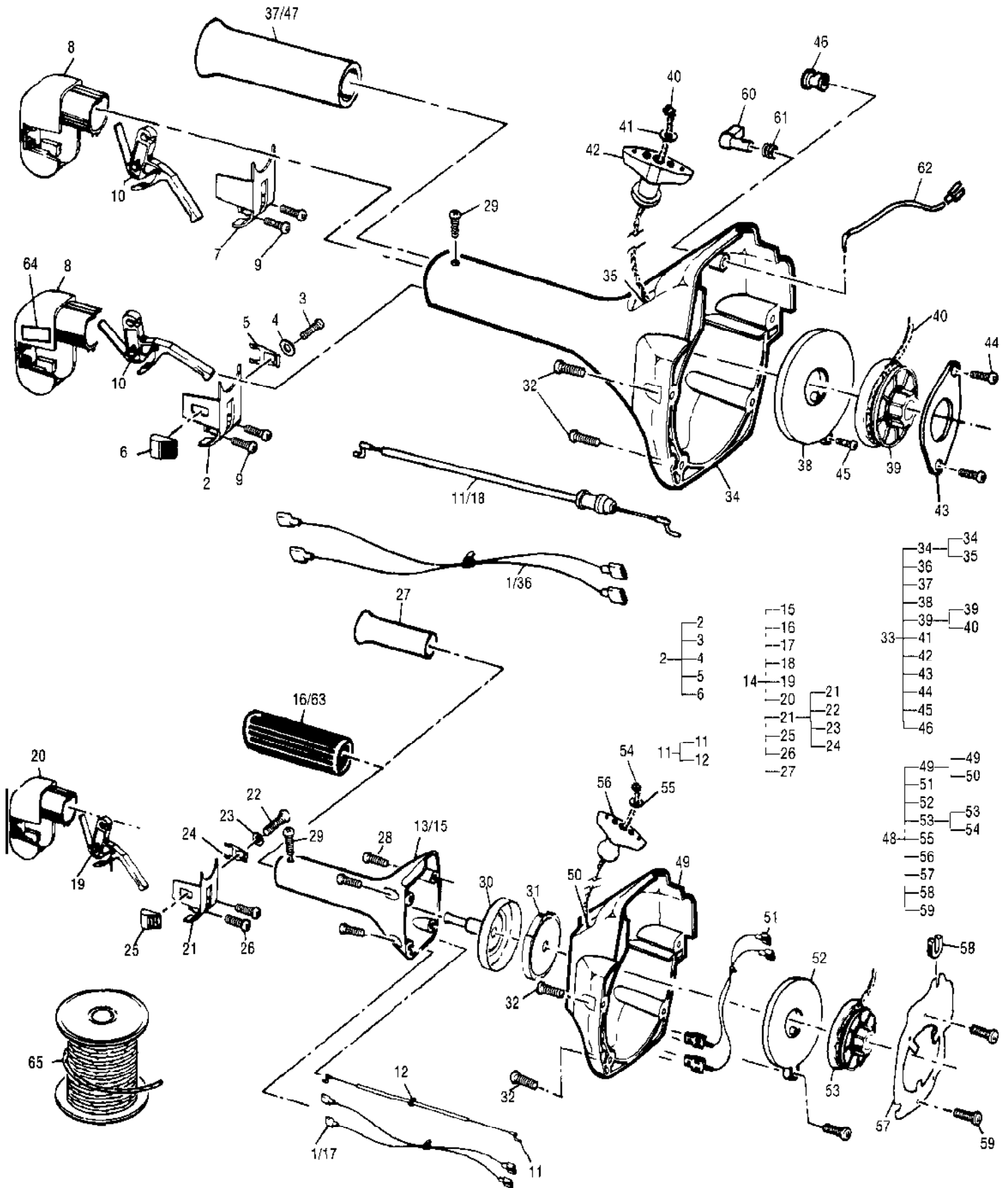
PN 91424  
Tachometer

| Ref #    | Part Number | Qty | Description                                      |
|----------|-------------|-----|--|
| 111124   | 111124      |     | T-27 Torx Dr 3.5 in.                             |
| 222785   | 222785      |     | T-25 Torx dr 3.5 in.                             |
| 217720   | 217720      |     | Torx Or Set                                      |
| 323754   | 323754      |     | Torx Dr Set of 6 Bit Sizes: Tx 10,15,20,25,27,30 |
| 323330   | 323330      |     | Ignition Tester                                  |
| 21543201 | 21543201    |     | Pressure Test Tool                               |
| 91424    | 91424       |     | Tachometer                                       |





| Ref # | Part Number | Qty | Description                   |
|-------|-------------|-----|-------------------------------|
| 1     | 300834      | 1   | Handle, Delta Kit             |
| 2     | 3710610     | 1   | Assist Handle w/Cap Asy       |
| 3     | 322719      | 1   | Knob                          |
| 4     | 0907599     | 1   | Bolt, 1/4 in.-20 x 2.5 Hx Cap |
| 5     | 1303599     | 1   | Nut, 1/4 in.-20 x .22 T       |
| 6     | 300540      | 1   | Handle, J-Grip Asy            |
| 7     | 322139      | 1   | Grip                          |
| 8     | 218328      | 1   | Plug, Tubing                  |
| 9     | 215337      | 2   | Clamp, Handle                 |
| 10    | 217935      | 2   | Screw                         |
| 11    | 218315      | 2   | Nut, 10-24                    |
| 12    | 300651      | 1   | Kit, Stringhead, Small        |
| 13    | 322025      | 1   | Housing/Eyelet Asy w/Collar   |
| 14    | 324089      | 1   | Spring, McC Stringhead        |
| 15    | 300688      | 1   | Kit, Line on Spool, M-Sm      |
| 16    | 300736      | 1   | Kit, Knob Asy, Small          |
| 17    | 300429      | 1   | Housing Asy, Outer, 44"       |
| 17    | 300424      | 1   | Housing Asy, Outer, 48"       |
| 18    | 223412      | 2   | Clip, Spring External         |
| 19    | 301023      | 1   | Shaft, Flex, 41"              |
| 19    | 215324      | 1   | Shaft, Flex, 48"              |
| 20    | 224062      | 1   | Shield Asy, Grass, R, 17in.   |
| 21    | 300626      | 1   | Kit, Knife                    |
| 22    | 22449701    | 1   | Cutter                        |
| 23    | 216682      | 2   | Nut, Lock 10-24 Hex           |
| 24    | 217935      | 2   | Screw, 10-24 x 50 Torx        |
| 25    | 300317      | 1   | Shield Asy, Grass, 90°        |
| 26    | 224499      | 1   | Spacer                        |
| 27    | 300626      | 1   | Kit, Knife                    |
| 28    | 22449701    | 1   | Cutter                        |
| 29    | 216682      | 1   | Nut, Lock 10-24 Hex           |
| 30    | 217935      | 2   | Screw, 10-24 x .50 Torx       |
| 31    | 216595      | 1   | Screw, M6 x 1.0 Hex           |
| 32    | 111102      | 1   | Nut, Wing M6 x 1.0            |
| 33    | 322344      | 1   | Wrench, Stringhead            |
| 35    |             |     | UNKNOWN                       |



| Ref # | Part Number | Qty | Description   |
|-------|-------------|-----|---|
| 1     | 301133      | 1   | Wire Asy, Switch  |
| 1     | 301135      | 1   | Wire Asy, Switch  |
| 2     | 300064      | 1   | Cover, Asy, Switch  |
| 3     | 111069      | 1   | Screw, 8-16 x .375 Plastite Included in Cover Asy, Switch.  |
| 4     | 105497      | 1   | Washer, Flat, .180 ID max Included in Cover Asy, Switch.  |
| 5     | 224246      | 1   | Contact, Switch Included in Cover Asy, Switch.  |
| 6     | 224245      | 1   | Button, Stop Switch Included in Cover Asy, Switch.  |
| 7     | 224914      | 1   | Cover, Switch Housing   |
| 8     | 224234      | 1   | Trigger Hsg Asy, 22mm, 28/32  |
| 9     | 111061      | 2   | Screw, 6-19 x .62 FI Hd Plastite  |
| 10    | 300361      | 1   | Trigger, Throttle   |
| 11    | 30014901    | 1   | Throttle Cable, Direct Drive New Part.  |
| 11    | 30037201    | 1   | Throttle Cable, Clutch Drive New Part.  |
| 12    | 111074      | 1   | Nut, Speed, .188 ID Included in Throttle Cable, Clutch Drive P/N 300372-01.                                     |
| 13    | 224912      | 1   | Housing, Clutch, 7/8 in. (Yellow)   |
| 13    | 300014      | 1   | Housing, Clutch, 7/8 in. (Grey)   |
| 14    | 30078261    | 1   | Housing Asy, Clutch, 7/8 in. (Black)  |
| 15    | 22491261    | 1   | Housing, Clutch, 7/8 in. (Black) Included in Housing Asy. Clutch, 7/8" P/N 300782-61.                           |
| 16    | 322140      | 1   | Grip Included in Housing Asy. Clutch, 7/8" P/N 300782-61.   |
| 17    | 301133      | 1   | Wire Asy, Switch Included in Housing Asy. Clutch, 7/8" P/N 300782-61.   |
| 18    | 30037201    | 1   | Cable Asy, Throttle Included in Housing Asy. Clutch, 7/8" P/N 300782-61.  |
| 19    | 300361      | 1   | Trigger, Throttle Included in Housing Asy. Clutch, 7/8" P/N 300782-61.  |
| 20    | 224234      | 1   | Trigger Hsg Asy, 22mm, 28/32 Included in Housing Asy. Clutch, 7/8" P/N 300782-61.                               |
| 21    | 300064      | 1   | Cover, Asy, Switch Included in Housing Asy. Clutch, 7/8" P/N 300782-61.   |
| 22    | 111069      | 1   | Screw, 8-16 x .375 Plastite Included in Housing Asy. Clutch, 7/8" P/N 300782-61 & Cover Asy. Switch P/N 300064. |
| 23    | 105497      | 1   | Washer, Flat, .180 ID max Included in Housing Asy. Clutch, 7/8" P/N 300782-61 & Cover Asy. Switch P/N 300064.   |
| 24    | 224246      | 1   | Contact, Switch Included in Housing Asy. Clutch, 7/8" P/N 300782-61 & Cover Asy. Switch P/N 300064.             |
| 25    | 224245      | 1   | Button, Stop Switch Included in Housing Asy. Clutch, 7/8" P/N 300782-61.  |
| 26    | 111061      | 2   | Screw, 6-19 x .62 FI Hd Plast Included in Housing Asy. Clutch, 7/8" P/N 300782-61.                              |

| Ref # | Part Number | Qty | Description  |
|-------|-------------|-----|--|
| 27    | 322234      | 1   | Sleeve, Protecting Included in Housing Asy. Clutch, 7/8" P/N 300782-61.  |
| 28    | 224919      | 4   | Screw, 10-14 x 1.0 Pn Hd Torque to 30-35 IN/LBS  |
| 29    | 111070      | 1   | Screw, 12-11 x .5 Pn Hd Torx   |
| 30    | 302106      | 1   | Drum, Clutch, Heat Treated   |
| 31    | 300459      | 1   | Kit, Clutch  |
| 32    | 111054      | 4   | Screw, 10-24 x .625 Torque to 30-35 IN/LBS   |
| 33    | 300979      | 1   | Kit, Starter Asy w/Plug (Grey)   |
| 33    | 300118      | 1   | Starter Asy w/Plug (Yellow) Used on Direct Drive models 12400128-25/-49/-59/-61. 224000128-11. 400128-01/-19/-21/-27/-51/-73/-85/-93/-97/-05/-47/-96 400132-01/-44. 002815-00. 002816-00. Used on 22400128-01/-21/-51/-73/-93. 124000128-05/-11/-19/-25/-27/-47/-59/-61/-85. |
| 33    | 224917-61   | 1   | Starter Asy (Black)  |
| 34    | 300621      | 1   | Housing, Starter/Rope Guide Included in Starter Asy. w/Plug (Yellow) P/N 300118.   |
| 34    |             | 1   | Housing, Starter DD (Black) Included in Starter Asy. (Black) Direct Drive P/N 224917-61.   |
| 34    | 300980      | 1   | Housing, Starter/Rope Guide Included in Starter Asy. w/Plug (Grey) P/N 300979.   |
| 35    |             | 1   | Rope Guide Included in Starter Asy. P/N 300979, P/N 300118 & P/N 224917-61.  |
| 36    | 301135      | 1   | Wire Asy, Switch Included in Starter Asy. P/N 300979, P/N 300118 & P/N 224917-61.  |
| 37    | 322234      | 1   | Sleeve, Protecting Included in Starter Asy. P/N 300979, P/N 300118 & P/N 224917-61.  |
| 38    | 300475      | 1   | Spring, Starter Rewind Included in Starter Asy. P/N 300979, P/N 300118 & P/N 224917-61.  |
| 39    | 300872      | 1   | Drum/Rope Asy, 28/32 Included in Starter Asy. P/N 300979, P/N 300118 & P/N 224917-61.  |
| 40    | 222869      | 1   | Rope, Starter, 46 in. Included in Starter Asy. P/N 300979, P/N 300118 & P/N 224917-61.   |
| 41    | 218941      | 1   | Washer, Nylon Included in Starter Asy. P/N 300979, P/N 300118 & P/N 224917-61.   |
| 42    | 216792      | 1   | Handle, Starter Included in Starter Asy. P/N 300979, P/N 300118 & P/N 224917-61.   |
| 43    | 322362      | 1   | Pulley, Retained, Direct Drive Included in Starter Asy. P/N 300979, P/N 300118 & P/N 224917-61.  |
| 44    | 223357      | 2   | Screw, 8-16 Plastite Included in Starter Asy. P/N 300979, P/N 300118 & P/N 224917-61.  |
| 45    | 322027      | 1   | Screw, Spring Retainer Included in Starter Asy. P/N 300979, P/N 300118 & P/N 224917-61.  |
| 46    | 300119      | 1   | Plug, Switch Cover Included in Starter Asy. P/N 300979, P/N 300118 & P/N 224917-61.  |
| 47    | 322234      | 1   | Protecting Sleeve Dealer stocked. Fast to medium moving part.  |

| Ref # | Part Number | Qty | Description  |
|-------|-------------|-----|--|
| 48    | 224916      | 1   | Starter Asy (Yellow) Clutch Drive Dealer stocked. Fast to medium moving part.                                  |
| 48    | 300013      | 1   | Starter Asy (Grey) Clutch Dr. Distributor stocked. Medium to slow moving part.                                 |
| 48    | 224916-61   | 1   | Starter Asy (Black) Distributor stocked. Medium to slow moving part.   |
| 49    | 300616      | 1   | Housing, Starter/Rope Guide Included in Starter Asy. (Yellow), Clutch Drive P/N 224916.                        |
| 49    | 300618      | 1   | Housing, Starter/Rope Guide Included in Starter Asy. (Grey) Clutch Drive P/N 300013.                           |
| 49    | 224240-61   | 1   | Housing, Starter/Rope Guide Included in Starter Asy. Clutch Drive (Black) P/N 224916-61.                       |
| 50    |             | 1   | Rope Guide Not available individually.   |
| 51    | 301134      | 1   | Wire Asy, Starter Hsg Clutch Dr Included in Starter Asy. Clutch Drives P/N 224916, P/N 300013 & P/N 224916-61. |
| 52    | 300475      | 1   | Spring, Starter Rewind Included in Starter Asy. Clutch Drives P/N 224916, P/N 300013 & P/N 224916-61.          |
| 53    | 300872      | 1   | Drum/Rope Asy, 28/32 Included in Starter Asy. Clutch Drives P/N 224916, P/N 300013 & P/N 224916-61.            |
| 54    | 222869      | 1   | Rope, Starter, 46 in. Included in Starter Asy. Clutch Drives P/N 224916, P/N 300013 & P/N 224916-61.           |
| 55    | 218941      | 1   | Washer, Nylon Included in Starter Asy. Clutch Drives P/N 224916, P/N 300013 & P/N 224916-61.                   |
| 56    | 216792      | 1   | Handle, Starter Included in Starter Asy. Clutch Drives P/N 224916, P/N 300013 & P/N 224916-61.                 |
| 57    | 224927      | 1   | Plate, Baffle, Clutch Drive Included in Starter Asy. Clutch Drives P/N 224916, P/N 300013 & P/N 224916-61.     |
| 58    | 215533-01   | 1   | Grommet, H/T Lead Included in Starter Asy. Clutch Drives P/N 224916, P/N 300013 & P/N 224916-61.               |
| 59    | 223357      | 3   | Screw, 8-16 Plastite Included in Starter Asy. Clutch Drives P/N 224916, P/N 300013 & P/N 224916-61.            |
| 60    | 222914      | 1   | Button, Stop   |
| 61    | 222913      | 1   | Spring, Stop Button  |
| 62    | 222926      | 1   | Wire Asy, Switch   |
| 63    | 322140      | 1   | Grip   |
| 64    | 322081      | 1   | Label, ON/OFF Switch   |
| 65    | 300415      | 1   | Rope, Bulk   |