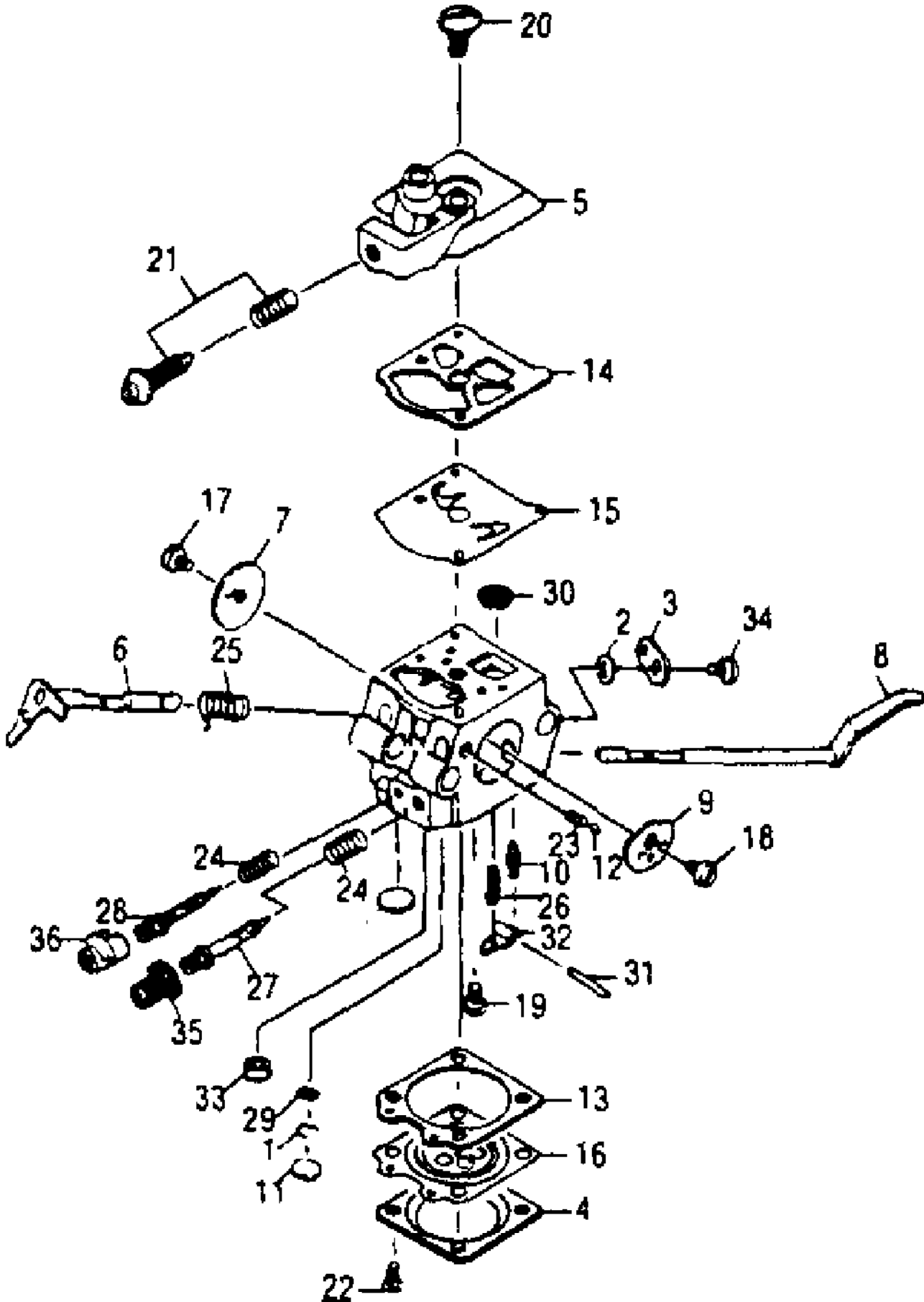


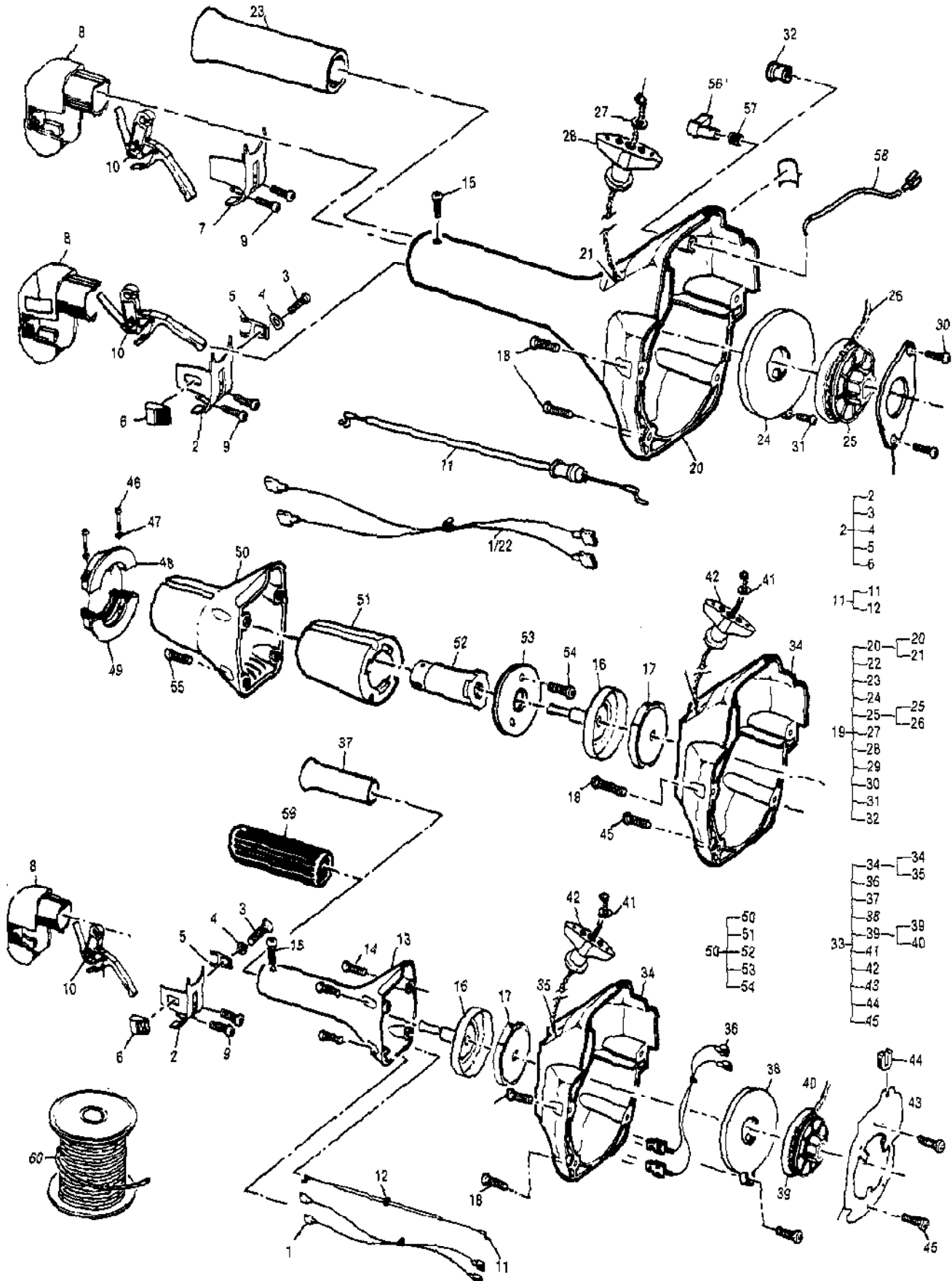
| Ref # | Part Number | Qty | Description  |
|-------|-------------|-----|--|
| 1     | 323602-03   | 1   | Carb, Walbro WT 434  |
|       |             | 1   | Ring, Screen Ret Not available separately Included in Major Repair Kit A1117WT P/N 324011    |
| 2     |             | 1   | Ring, Shaft Ret Not available separately   |
| 3     |             | 1   | Lever, Throttle Not available separately   |
| 4     |             | 1   | Cover, Met Lever Not available separately  |
| 5     | 300072      | 1   | Cover, Fuel Pump Not available separately Distributor stocked. Medium to slow moving part.   |
| 6     |             | 1   | Shaft Asy, Throttle Not available separately   |
| 7     |             | 1   | Valve, Throttle Not available separately   |
| 8     |             | 1   | Shaft Asy, Choke Not available separately  |
| 9     |             | 1   | Valve, Choke Not available separately  |
| 10    |             | 1   | Valve, Inlet Needle Not available separately Included in Major Repair Kit A1117WT P/N 324011 |
| 11    |             | 1   | Seat Asy, C Valve Not available separately   |
| 12    |             | 1   | Plug, Cup Not available separately Included in Major Repair Kit A1117WT P/N 324011           |
| 13    |             | 1   | Plug, Welch Not available separately Included in Major Repair Kit A1117WT P/N 324011         |
| 14    |             | 1   | Ball, Choke Frict Not available separately   |
| 15    |             | 1   | Gasket, Met Diap Not available separately Included in Major Repair Kit A1117WT P/N 324011    |
| 16    |             | 1   | Gasket, Fuel Pump Not available separately Included in Major Repair Kit A1117WT P/N 324011   |
| 17    |             | 1   | Diap, Fuel Pump Not available separately Included in Major Repair Kit A1117WT P/N 324011     |
| 18    |             | 1   | Diap Asy, Metering Not available separately Included in Major Repair Kit A1117WT P/N 324011  |
| 19    |             | 2   | Screw, Valve Not available separately Included in Major Repair Kit A1117WT P/N 324011        |
| 20    |             | 1   | Screw, Met Lev Pin Not available separately Included in Major Repair Kit A1117WT P/N 324011  |
| 21    |             | 1   | Screw, Pump Cover Not available separately   |
| 22    |             | 1   | Spring, Idle Adj Kit Not available separately  |
| 23    |             | 4   | Screw, Met Cover Not available separately  |
| 24    |             | 1   | Spring, Choke Frict Not available separately   |
| 25    |             | 1   | Spring, Idle Needle Not available separately   |
| 26    |             | 1   | Spring, High Needle Not available separately   |
| 27    |             | 1   | Spring, Thrt Return Not available separately   |
| 28    |             | 1   | Spring, Met Lever Not available separately Included in Major Repair Kit A1117WT P/N 324011   |
| 29    |             | 1   | Needle, High Speed Not available separately  |
| 30    |             | 1   | Needle, Low Speed Not available separately   |
| 31    |             | 2   | Screen, Check Valve Not available separately   |
| 32    |             | 1   | Screen, Fuel inlet Not available separately Included in Major Repair Kit A1117WT P/N 324011  |
| 33    |             | 1   | Pin, Metering Lever Not available separately Included in Major Repair Kit A1117WT P/N 324011 |

| Ref # | Part Number | Qty | Description  |
|-------|-------------|-----|--|
| 34    |             | 1   | Lever, Metering Not available separately Included in Major Repair Kit A1117WT P/N 324011 |
| 35    |             | 1   | Ring, High Speed Not available separately  |
| 36    |             | 1   | Washer, High Speed Not available separately  |
| 37    | 323601      | 1   | Cap, Lim, High, Black  |
| 38    | 323602      | 1   | Cap, Lim, Low, White   |
|       | 324011      |     | Major Repair Kit A1117WT   |
|       | 324009      |     | Gasket/Diap Kit B1106WT  |
|       | 322363      |     | Choke Lever 40-999   |



| Ref # | Part Number | Qty | Description   |
|-------|-------------|-----|---|
|       | 323602-03   | 1   | Carb, Zama C1U M29D   |
| 1     |             | 1   | Ring, Screen Ret Not available separately   |
| 2     |             | 1   | Collar Not available separately   |
| 3     |             | 1   | Lever, Throttle Not available separately  |
| 4     |             | 1   | Cover, Met Lever Not available separately   |
| 5     | 300456      | 1   | Cover, Fuel Pump Not available separately   |
| 6     |             | 1   | Shaft Asy, Throttle Not available separately  |
| 7     |             | 1   | Valve, Throttle Not available separately  |
| 8     |             | 1   | Shaft Asy, Choke Not available separately Included in Choke Lever Kit 40-999 P/N 322358   |
| 9     |             | 1   | Valve, Choke Not available separately Included in Choke Lever Kit 40-999 P/N 322358   |
| 10    |             | 1   | Valve, Inlet Needle Not available separately Included in Major Repair Kit RB-48 P/N 300454  |
| 11    |             | 1   | Plug, Welch Not available separately Included in Major Repair Kit RB-48 P/N 300454  |
| 12    |             | 1   | Ball, Choke Friction Not available separately Included in Choke Lever Kit 40-999 P/N 322358   |
| 13    |             | 1   | Gasket, Met Diap Not available separately Included in Major Repair Kit RB-48 P/N 300454. Included in Gasket/Diaphragm GND-13 P/N 300473   |
| 14    |             | 1   | Gasket, Fuel Pump Not available separately Included in Major Repair Kit RB-48 P/N 300454. Included in Gasket/Diaphragm GND-13 P/N 300473  |
| 15    |             | 1   | Diap, Fuel Pump Not available separately Included in Major Repair Kit RB-48 P/N 300454. Included in Gasket/Diaphragm GND-13 P/N 300473    |
| 16    |             | 1   | Diap Asy, Metering Not available separately Included in Major Repair Kit RB-48 P/N 300454. Included in Gasket/Diaphragm GND-13 P/N 300473 |
| 17    |             | 1   | Screw, Valve Not available separately Included in Choke Lever Kit 40-999 P/N 322358   |
| 18    |             | 1   | Screw, Valve Not available separately   |
| 19    |             | 1   | Screw, Met Lev Pin Not available separately   |
| 20    |             | 2   | Screw, Pump Cover Not available separately  |
| 21    |             | 1   | Screw, Idle Adj Kit Not available separately  |
| 22    |             | 2   | Screw, Met Cover Not available separately   |
| 23    |             | 1   | Spring, Choke Frict Not available separately Included in Choke Lever Kit 40-999 P/N 322358  |
| 24    |             | 2   | Spring Needle Not available separately  |
| 25    |             | 1   | Spring, Thrt Return Not available separately  |
| 26    |             | 1   | Spring, Met Lever Not available separately Included in Major Repair Kit RB-48 P/N 300454  |
| 27    |             | 1   | Needle, High Speed Not available separately   |
| 28    |             | 1   | Needle, Low Speed Not available separately  |
| 29    |             | 1   | Screen, Check Valve Not available separately  |
| 30    |             | 1   | Screen, Fuel Inlet Not available separately Included in Major Repair Kit RB-48 P/N 300454   |

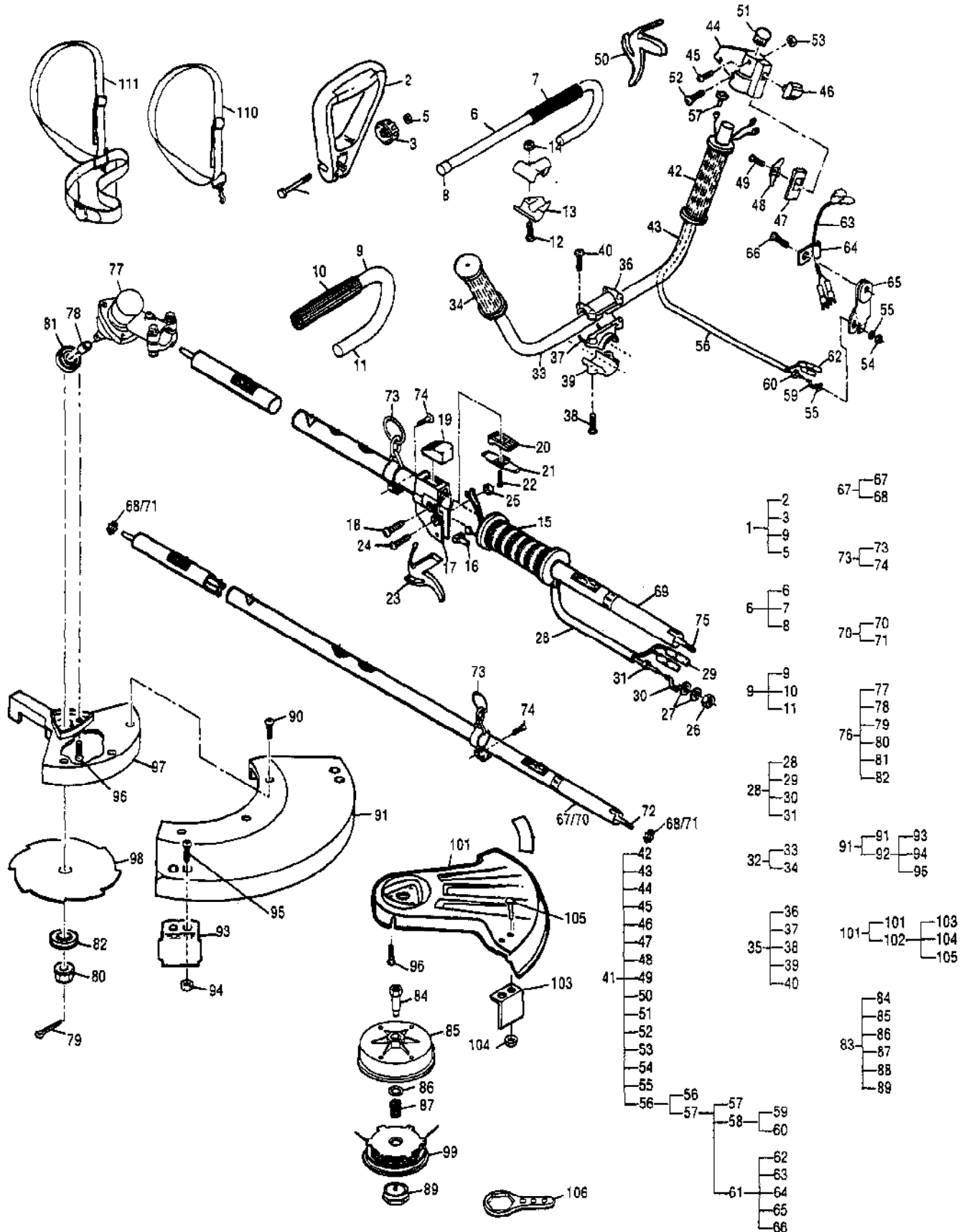
| Ref # | Part Number | Qty | Description  |
|-------|-------------|-----|--|
| 31    |             | 1   | Pin, Metering Lever Not available separately Included in Major Repair Kit RB-48 P/N 300454 |
| 32    |             | 1   | Lever, Metering Not available separately Included in Major Repair Kit RB-48 P/N 300454     |
| 33    |             | 1   | Nozzle Asy, C Valve Not available separately   |
| 34    |             | 1   | Screw, Thrt Lever Not available separately   |
| 35    | 323603      | 1   | Cap, Lim, High, Black  |
| 36    | 323604      | 1   | Cap, Lim, Low, White   |
|       | 300454      |     | Major Repair Kit RB-48   |
|       | 300473      |     | Gasket/Diaphragm Kit GND-13  |
|       | 322358      |     | Choke Lever Kit 40-999   |



| Ref # | Part Number | Qty | Description                         |
|-------|-------------|-----|-------------------------------------|
| 1     | 301133      | 1   | Wire Asy, Switch                    |
| 1     | 301135      | 1   | Wire Asy, Switch                    |
| 2     | 300064      | 1   | Cover, Asy, Switch                  |
| 3     | 111069      | 1   | Screw, 8-16 x .375 Plastite         |
| 4     | 105497      | 1   | Washer, Flat, .180 ID max           |
| 5     | 224246      | 1   | Contact, Switch                     |
| 6     | 224245      | 1   | Button, Stop Switch                 |
| 7     | 224914      | 1   | Cover, Switch Housing               |
| 8     | 224205      | 1   | Trigger Hsg Asy, 22mm, 28/32        |
| 9     | 111061      | 2   | Screw, 6-19 x .62 Fl Hd Plastite    |
| 10    | 300361      | 1   | Trigger, Throttle                   |
| 11    | 300149-01   | 1   | Throttle Cable, Direct Drive        |
| 11    | 300372-01   | 1   | Throttle Cable, Clutch Drive        |
| 12    | 111074      | 1   | Nut, Speed, .188 ID                 |
| 13    | 224249      | 1   | Housing, Clutch, 7/8 in. (Yellow)   |
| 13    | 300014      | 1   | Housing, Clutch, 7/8 in. (Grey)     |
| 13    | 300782-61   | 1   | Housing, Clutch, 7/8 in. (Black)    |
| 14    | 224919      | 4   | Screw, 10-14 x 1.0 Pn Hd            |
| 14    | 224919      |     | Clutch Housing Torque 30-35 in/lbs. |
| 15    | 111070      | 1   | Screw, 12-11 x .5 Pn Hd Torx        |
| 16    | 302106      | 1   | Drum, Clutch, Heat Treated          |
| 17    | 300459      | 1   | Kit, Clutch                         |
| 18    | 111067      | 4   | Screw, 10-24 x .63 SITxTp           |
| 18    | 111067      | 3   | Screw, 10-24 x .63 SITxTp           |
| 18    | 111067      |     | Starter Housing Torque 30-35 in/lbs |
| 19    | 300118      | 1   | Starter Asy w/Plug (Yellow)         |
| 20    | 300621      | 1   | Housing, Starter/Rope Guide         |
| 21    |             | 1   | Rope Guide                          |
| 22    | 301135      | 1   | Wire Asy, Switch                    |
| 23    | 322234      | 1   | Sleeve, Protecting                  |
| 24    | 300475      | 1   | Spring, Starter Rewind              |
| 25    | 300872      | 1   | Drum/Rope Asy                       |
| 26    | 222869      | 1   | Rope, Starter, 46 in.               |
| 27    | 218941      | 1   | Washer, Nylon                       |
| 28    | 216792      | 1   | Handle Starter                      |
| 29    | 322362      | 1   | Pulley, Retained, Direct Drive      |
| 30    | 223357      | 2   | Screw, 8-16 Plastite                |
| 31    | 322027      | 1   | Screw, Spring Retainer              |
| 32    | 300119      | 1   | Plug, Switch Cover                  |
| 19    | 224917-61   | 1   | Starter Asy (Black)                 |
| 20    | 224247-61   | 1   | Housing, Starter DD (Black)         |
| 21    |             | 1   | Rope Guide                          |
| 22    | 301135      | 1   | Wire Asy, Switch                    |
| 23    | 322234      | 1   | Sleeve, Protecting                  |
| 24    | 300475      | 1   | Spring, Starter Rewind              |
| 25    | 300872      | 1   | Drum/Rope Asy                       |
| 26    | 222869      | 1   | Rope, Starter, 46 in.               |
| 27    | 218941      | 1   | Washer, Nylon                       |
| 28    | 216792      | 1   | Handle Starter                      |
| 29    | 322362      | 1   | Pulley, Retained, Direct Drive      |
| 30    | 223357      | 1   | Screw, 8-16 Plastite                |
| 31    | 322027      | 1   | Screw, Spring Retainer              |
| 32    | 300119      | 1   | Plug, Switch Cover                  |
| 33    | 224916-61   | 1   | Starter Asy (Black)                 |
| 34    | 300616      | 1   | Housing, Starter/Rope Guide         |



| Ref # | Part Number | Qty | Description                    |
|-------|-------------|-----|--------------------------------|
| 35    |             | 1   | Rope Guide                     |
| 36    | 301134      | 1   | Wire Asy, Starter Hsg          |
| 37    | 322234      | 1   | Sleeve, Protecting             |
| 38    | 300475      | 1   | Spring, Starter Rewind         |
| 39    | 300872      | 1   | Drum/Rope Asy, 28/32           |
| 40    | 222869      | 1   | Rope, Starter, 46 in.          |
| 41    | 218941      | 1   | Washer, Nylon                  |
| 42    | 216792      | 1   | Handle, Starter                |
| 43    | 224927      | 1   | Plate, Baffle, Clutch Drive    |
| 44    | 215533-01   | 1   | Grommet, H/T Lead              |
| 45    | 223357      | 3   | Screw, 8-16 Plastite           |
| 33    | 300684      | 1   | Starter Asy (Yellow)           |
| 34    | 300616      | 1   | Housing, Starter/Rope Guide    |
| 35    |             | 1   | Rope Guide                     |
| 38    | 300475      | 1   | Spring, Starter Rewind         |
| 39    | 300872      | 1   | Drum/Rope Asy, 28/32           |
| 40    | 222869      | 1   | Rope, Starter, 46 in.          |
| 41    | 218941      | 1   | Washer, Nylon                  |
| 42    | 216792      | 1   | Handle, Starter                |
| 43    | 224927      | 1   | Plate, Baffle, Clutch Drive    |
| 45    | 223357      | 3   | Screw, 8-16 Plastite           |
| 33    | 300013      | 1   | Starter Asy (Grey)             |
| 34    | 300618      | 1   | Housing, Starter/Rope Guide    |
| 35    |             | 1   | Rope Guide                     |
| 36    | 301134      | 1   | Wire Asy, Starter Hsg          |
| 37    | 322234      | 1   | Sleeve, Protecting             |
| 38    | 300475      | 1   | Spring, Starter Rewind         |
| 39    | 300872      | 1   | Drum/Rope Asy, 28/32           |
| 40    | 222869      | 1   | Rope, Starter, 46 in.          |
| 41    | 218941      | 1   | Washer, Nylon                  |
| 42    | 216792      | 1   | Handle, Starter                |
| 43    | 224927      | 1   | Plate, Baffle, Clutch Drive    |
| 44    | 215533-01   | 1   | Grommet, H/T Lead              |
| 45    | 223357      | 3   | Screw, 8-16 Plastite           |
| 46    | 235804      | 2   | Screw, M5 x 30                 |
| 47    | 326529      | 2   | Washer                         |
| 48    | 227700-61   | 1   | Clamp, Upper, Black            |
| 49    | 227701-61   | 1   | Clamp, Lower, Black            |
| 50    | 300792      | 1   | Housing Asy, AV                |
| 51    | 224923      | 1   | Isolator                       |
| 52    | 224924      | 1   | Tube, Support                  |
| 53    | 224925      | 1   | Plate                          |
| 54    | 223357      | 3   | Screw, 8-16 Plastite           |
| 55    | 111060      | 4   | Screw, 10-24 x 1.38 Tr Hd Torx |
| 56    | 222914      | 1   | Button, Stop                   |
| 57    | 222913      | 1   | Spring, Stop Button            |
| 58    | 222926      | 1   | Wire Asy, Switch               |
| 59    | 322140      | 1   | Grip                           |
| 60    | 300415      | 1   | Rope, Bulk                     |



| Ref # | Part Number | Qty | Description                                  |
|-------|-------------|-----|--|
| 1     | 300834      | 1   | Handle, Delta Kit                            |
| 2     | 37106-10    | 1   | Assist Handle w/Cap Asy                      |
| 3     | 322719      | 1   | Knob   |
| 4     | 09075-99    | 1   | Bolt, 1/4 in.-20 x 2.5 Hx Cap                |
| 5     | 13035-99    | 1   | Nut, 1/4 in.-20 x .22 T                      |
| 6     | 300541      | 1   | Handle, J-Grip Asy w/Barrier Pole            |
| 7     | 322139      | 1   | Grip   |
| 8     | 218328      | 1   | Plug, Tubing                                 |
| 9     | 300540      | 1   | Handle, J-Grip Asy                           |
| 10    | 322139      | 1   | Grip   |
| 11    | 218328      | 1   | Plug, Tubing                                 |
| 12    | 217935      | 2   | Screw, 10-24 x .5 Torx                       |
| 13    | 217292      | 2   | Clamp, Handle                                |
| 14    | 218315      | 1   | Nut  |
| 15    | 322137      | 1   | Grip   |
| 16    | 215323      | 1   | Guide  |
| 17    | 222795      | 1   | Housing, Trigger Throttle                    |
| 18    | 223200      | 1   | Screw, Self Tapping, 10-16                   |
| 19    | 68846       | 1   | Button, Stop Switch                          |
| 20    | 215319      | 1   | Base, Stop Switch                            |
| 21    | 215320      | 1   | Contact, Switch                              |
| 22    | 110706      | 1   | Screw, 8-18 x .5                             |
| 23    | 300361      | 1   | Trigger, Throttle                            |
| 24    | 216027      | 1   | Screw, M5 x 28.5 Sems                        |
| 25    | 217159      | 1   | Nut, Hex M5                                  |
| 26    | 217403      | 1   | Nut, Hex M6 x 1                              |
| 27    | 216596      | 2   | Washer, Flat M6                              |
| 28    | 300682      | 1   | Wire, Cable Asy                              |
| 29    |             | 2   | Wire, Terminal Asy Not available separately  |
| 30    | 322272      | 1   | Cable, Throttle                              |
| 31    | 217403      | 1   | Nut, Hex M6x1                                |
| 32    | 216868-01   | 1   | Bar Asy, Handle                              |
| 33    |             | 1   | Bar, Handle Not available separately         |
| 34    | 94212       | 1   | Grip, Handle                                 |
| 35    | 217974      | 1   | Clamp Asy Not available separately           |
| 36    |             | 1   | Clamp, Top Not available separately          |
| 37    |             | 1   | Centerpiece Not available separately         |
| 38    |             | 2   | Bolt, Hex M6 x 30.0 Not available separately |
| 39    |             | 1   | Clamp, Bottom Not available separately       |
| 40    |             | 4   | Bolt, Hex M5 x 25 Not available separately   |
| 41    | 300549-02   | 1   | Handle Asy/Trigger                           |
| 42    | 215322      | 1   | Grip   |
| 43    | 323721      | 1   | Bar, Handle                                  |
| 44    | 222794      | 1   | Housing, Trigger throttle                    |
| 45    | 223200      | 1   | Screw, Self Tapping, 10-16                   |
| 46    | 68846       | 1   | Button, Stop Switch                          |
| 47    | 215319      | 1   | Base, Stop Switch                            |
| 48    | 215320      | 1   | Contact, Switch                              |
| 49    | 110706      | 1   | Screw, 8-18 x .5                             |
| 50    | 300361      | 1   | Trigger, Throttle                            |
| 51    | 218328      | 1   | Plug, Tubing                                 |
| 52    | 216027      | 1   | Screw, M5 x 28.5 Sems                        |
| 53    | 217159      | 1   | Nut, Hex M5                                  |
| 54    | 217403      | 1   | Nut, Hex M6 x 1                              |
| 55    | 216596      | 2   | Washer, Flat M6                              |

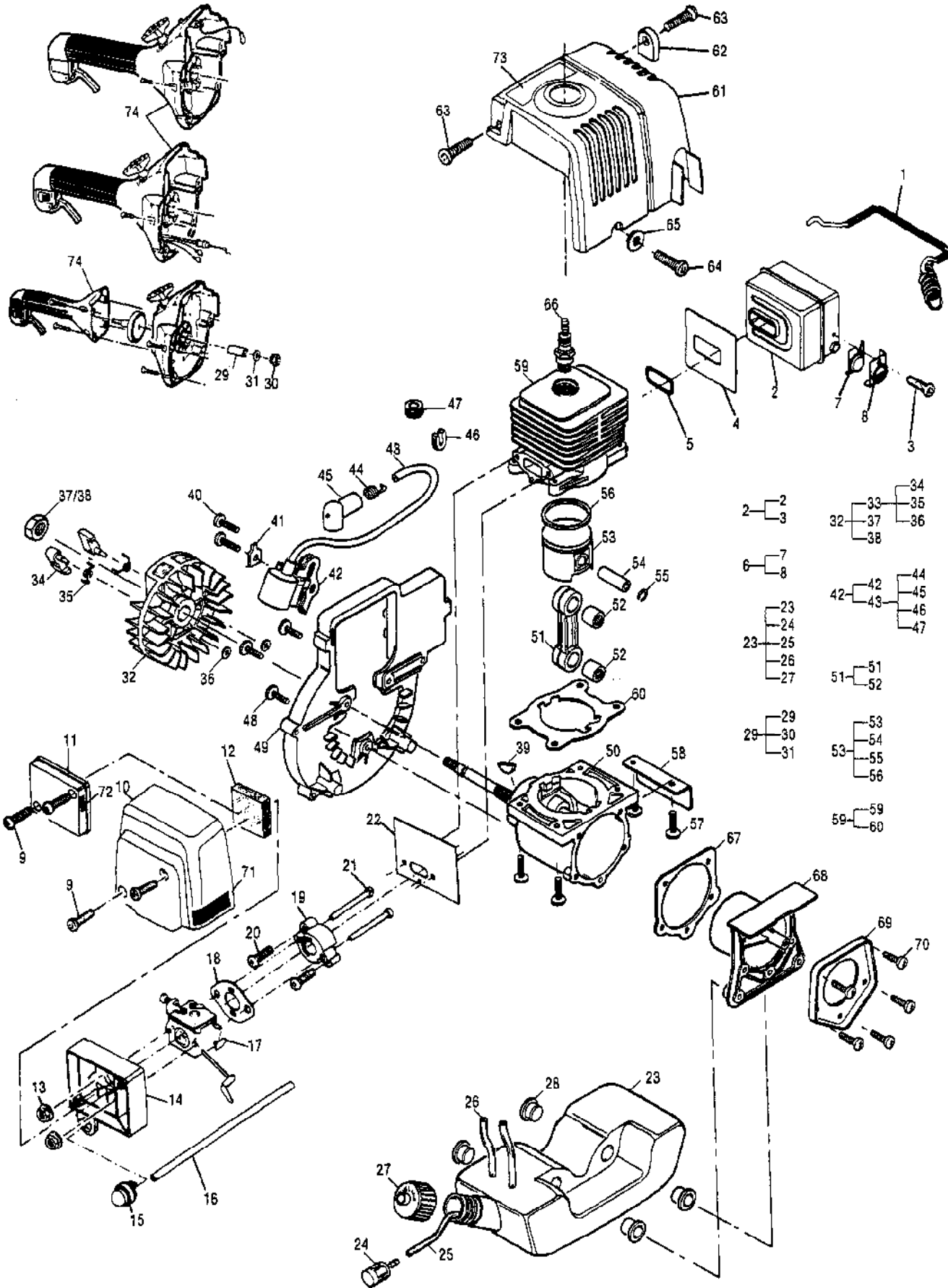
| Ref # | Part Number | Qty | Description                                |
|-------|-------------|-----|--|
| 56    | 300673      | 1   | Kit, Wire/Cable Asy/Guide                  |
| 57    | 215323      | 1   | Guide                                      |
| 58    |             | 1   | Wire/Cable Asy Not available separately    |
| 59    | 322273      | 1   | Cable, Throttle                            |
| 60    | 217403      | 1   | Nut, Hex M6 x 1                            |
| 61    | 300825      | 1   | Kit, Wire Asy                              |
| 62    |             | 1   | Wire/Terminal Asy Not available separately |
| 63    | 301136      | 1   | Wire Harness, Ignition                     |
| 64    | 322291      | 1   | Clip, Wire                                 |
| 65    | 322578      | 1   | Bracket, "T" Cable                         |
| 66    | 111060      | 1   | Screw, 10-24 x 1.38 Tr Hd Torx             |
| 67    | 300419      | 1   | Housing Asy, Outer 1 x 56, Flex            |
| 68    | 224092      | 2   | Clip, Retainer                             |
| 69    | 300432      | 1   | Housing Asy, Outer 1 x 56, Solid           |
| 70    | 301412      | 1   | Housing, Outer 48"                         |
| 71    | 223412      | 2   | Clip, Retainer                             |
| 72    | 301024      | 1   | Drive Asy, w/Clip                          |
| 73    | 302278      | 1   | Ring Asy, Harness                          |
| 74    |             | 1   | Bolt, M5 x 13 Not available separately     |
| 75    | 217752      | 1   | Shaft, Drive                               |
| 76    | 224457      | 1   | Kit, Gear Housing Asy                      |
| 77    | 323396      | 1   | Housing, Gear                              |
| 78    | 224136-01   | 1   | Collar, 20mm                               |
| 79    | 218159      | 1   | Pin, Cotter                                |
| 80    | 216751      | 1   | Nut, Hex M10 LH                            |
| 81    | 218075      | 1   | Flange, Spindle                            |
| 82    | 322009-01   | 1   | Sleeve, Spline                             |
| 83    | 300078-02   | 1   | Stringhead Asy, L                          |
| 84    | 323682      | 1   | Stud, M10 x 1.25 LT STL w/GRV              |
| 85    | 300091      | 1   | Housing/Eyelet Asy, L                      |
| 86    | 111073      | 1   | Ring, Retainer                             |
| 87    | 324089      | 1   | Spring                                     |
| 88    | 300690      | 1   | Kit, Line on spool, M-Lg                   |
| 89    | 300737      | 1   | Kit, Knob Asy, Left                        |
| 90    | 224175      | 3   | Screw, M6 x 15                             |
| 91    | 300318      | 1   | Kit, Grass Shield                          |
| 92    | 300626      | 1   | Kit, Knife                                 |
| 93    | 224497-01   | 1   | Cutter                                     |
| 94    | 216682      | 2   | Nut, Lock 10-24 Hex                        |
| 95    | 217935      | 2   | Screw, 10-24 x .5 Torx                     |
| 96    | 217935      | 3   | Screw, 10-24 x .5 Torx                     |
| 97    | 224177-01   | 1   | Shield, Blade                              |
| 98    | 216513-33   | 1   | Blade, 8T                                  |
| 98    | 216514-33   | 1   | Blade, 80T                                 |
| 99    | 224083      | 1   | Harness                                    |
| 100   | 217956      | 1   | Harness Asy                                |
| 101   | 301393      | 1   | Shield Asy, 15", Left                      |
| 102   | 300626      | 1   | Kit, Knife                                 |
| 103   | 224497-01   | 1   | Cutter                                     |
| 104   | 216682      | 2   | Nut, Lock 10-24 Hex                        |
| 105   | 217935      | 2   | Screw, 10-24 x .5 Torx                     |
| 106   | 322344      | 1   | Wrench, Stringhead                         |
| 110   |             |     | UNKNOWN                                    |
| 111   |             |     | UNKNOWN                                    |



**322235-02**

## Loctite Kit

| Ref #     | Part Number | Qty | Description                      |
|-----------|-------------|-----|----------------------------------|
| 322235-02 | 322235-02   |     | Loctite Kit                      |
|           | 322236      |     | Retaining Compound 620 (10 ml)   |
|           | 322237      |     | Thread Locker 242 (10 ml)        |
|           | 322238      |     | Gasket Eliminator 518 (50 ml)    |
|           | 322239-01   |     | Black Max 380 (3 ml)             |
|           | 323749      |     | Tread Locker 262 (10 ml)         |
|           | 323762      |     | Anti-Seize Lubricant 767 (30 ml) |

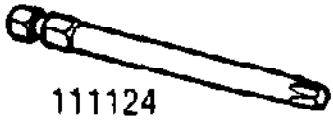


| Ref # | Part Number | Qty | Description  |
|-------|-------------|-----|--|
| 1     | 224044      | 1   | Spring, Muffler  |
| 2     | 224034      | 1   | Kit, Muffler, 28/32  |
| 3     | 111072      | 1   | Screw, 8-18 x .31 Pn Hd SI Torx  |
| 4     | 224228      | 1   | Gasket, Muffler, 28/32   |
| 5     | 224922      | 1   | Gasket, Exhaust Port   |
| 6     | 302424      | 1   | Kit, Spark Arrester, ST  |
| 7     | 224040      | 1   | Screen, Spark Arrester   |
| 8     | 322032      | 1   | Cover, Spark Arrester  |
| 9     | 111055      | 2   | Screw, 10-14 x .625, Plast   |
| 10    | 224236      | 1   | Cover, Air Cleaner, Large (Black)  |
| 10    | 300302      | 1   | Cover, Air Cleaner, Large (Grey)   |
| 10    | 224236-72   | 1   | Cover, Air Cleaner, Large (Green)  |
| 11    | 224237      | 1   | Cover, Air Cleaner, Small (Black)  |
| 12    | 224239      | 1   | Filter, Air  |
| 13    | 111058      | 2   | Nut, 10-24 Hex, Flange   |
| 13    | 111058      |     | Carburetor Torque 25-30 in/lbs.  |
| 14    | 224238      | 1   | Box, Air (Blk)   |
| 14    | 300301      | 1   | Box, Air (Grey)  |
| 15    | 224242-01   | 1   | Primer, Remote, Zama   |
| 16    | 225163      | 1   | Hose, Fuel Return  |
| 17    |             | 1   | Carburetor w/Choke See "Shaft/Handle/Stringhead Assembly" illustration and parts list. |
| 18    | 218933      | 1   | Gasket, Carburetor   |
| 19    | 224041-02   | 1   | Insulator, Carburetor  |
| 20    | 111053      | 2   | Screw, 10-24 x .88 Thd Form  |
| 20    | 111053      |     | Insulator to Cylinder Torque 45-50 in/lbs. Loctite 242                                 |
| 21    | 111057      | 2   | Screw, 10-24 Spl   |
| 22    | 322031      | 1   | Gasket, Manifold   |
| 23    | 302349      | 1   | Tank, Fuel, Cap Ret (Natural)  |
| 24    | 216985      | 1   | Filter, Fuel   |
| 25    | 225162      | 1   | Hose, Fuel, 28/32  |
| 26    | 225163      | 1   | Hose, Fuel Return  |
| 27    | 223508      | 1   | Cap, Fuel, w/Retainer  |
| 28    | 322105      | 4   | isolator, Fuel Tank, 28/32   |
| 29    | 301114      | 1   | Kit, Spacer, Clutch  |
| 30    | 322847      | 1   | Nut, Hex, 7/16-20  |
| 31    | 322844      | 1   | Washer, Shaft  |
| 32    | 300827-01   | 1   | Kit, Flywheel, 28/32   |
| 33    |             | 1   | Kit, Pawls/Flywheel  |
| 34    | 322297      | 2   | Pawl, Starter, CCW Rotation  |
| 35    | 322835      | 2   | Spring, Starter Pawl, CCW  |
| 36    | 111086      | 2   | Ring, Retainer   |
| 37    | 111085      | 1   | Nut, Direct Drive  |
| 37    | 111053      |     | Flywheel Nut Torque 140-145 in/lbs. Loctite 242  |
| 38    | 322847      | 1   | Nut, 7/16-20, Clutch Drive   |
| 38    | 322847      |     | Flywheel Nut Torque 140-145 in/lbs. Lotite 242   |
| 39    | 102164      | 1   | Key, Flywheel  |
| 40    | 111053      | 2   | Screw, 1Q-24 x .88 Thd Form  |
| 40    | 111053      |     | Ignition Asy Torque 45-50 in/lbs. Loctite 242  |
| 41    | 300321      | 1   | Terminal Tab   |
| 42    | 302138      | 1   | Ignition Asy   |
| 43    | 223884      | 1   | Kit, Spark Plug Wire   |
| 44    | 102556      | 1   | Connector, Spark   |
| 45    | 95266       | 1   | Boot, Spark Plug   |
| 46    | 215533-01   | 1   | Grommet, HIT Lead, Split   |

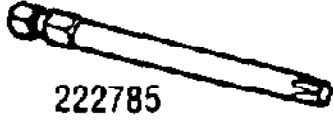


| Ref # | Part Number | Qty | Description  |
|-------|-------------|-----|--|
| 47    | 110995      | 1   | Grommet, S/Plug Wire   |
| 48    | 111067      | 3   | Screw, 10-24x.63 SI Tor Tp   |
| 48    | 111067      |     | Shroud to C'Case Torque 55-60 in/lbs. Loctite 242                        |
| 49    | 224042      | 1   | Shroud, Engine   |
| 50    | 301539      | 1   | C'case/C'shaft Asy, DD   |
|       |             | 1   | C'case Asy   |
|       |             | 1   | C'case, Machined   |
|       |             | 1   | Bearing 6202   |
|       |             | 1   | Bearing 6202RS   |
|       |             | 1   | Seal   |
|       |             | 1   | Spacer   |
|       |             | 1   | O-ring   |
| 50    | 301821      | 1   | C'case/C'shaft Asy, Clutch Drive   |
|       |             | 1   | C'shaft Asy  |
|       |             | 1   | C'case, Machined   |
|       |             | 1   | Bearing 6202   |
|       |             | 1   | Bearing 6202RS   |
|       |             | 1   | Seal   |
|       |             | 1   | Spacer   |
|       |             | 1   | O Ring   |
| 51    | 301982      | 1   | Rod, Connecting Asy  |
| 52    | 91117       | 2   | Bearing  |
| 53    | 300661      | 1   | Kit, Piston, 28cc Aluminum   |
| 54    | 300482      | 1   | Pin, C'shaft Piston  |
| 55    | 215876      | 1   | Ring, Retaining  |
| 56    | 224224      | 1   | Ring, Piston, 35mm   |
| 53    | 300663      | 1   | Kit, Piston, 32cc Aluminum   |
| 54    | 300482      | 1   | Pin, C'shatt Piston  |
| 55    | 215876      | 1   | Ring, Retaining  |
| 56    | 224217      | 1   | Ring, Piston   |
| 57    | 111065      | 4   | Screw, 10-24 x .688 Tri Rnd  |
| 57    | 111065      |     | C'Case to Cylinder Torque 55-60 in/lbs. Loctite 242                      |
| 58    | 322030      | 1   | Shield Muff1er   |
| 59    | 300452      | 1   | Kit, Cylinder/Gasket, 28cc Chrome  |
| 60    | 224022      | 1   | Gasket, Cylinder   |
| 59    | 300453      | 1   | Kit, Cylinder/Gasket, 32cc Chrome  |
| 60    | 224022      | 1   | Gasket, Cylinder   |
| 61    | 224235      | 1   | Cover, Cylinder/Muffler (Black)  |
| 61    | 300304      | 1   | Cover, Cylinder/Muffler (Grey)   |
| 61    | 224235-72   | 1   | Cover, Cylinder/Muffler (Green)  |
| 62    | 322210      | 1   | Washer, Plastic  |
| 63    | 111067      | 2   | Screw, 30-24 x .63 SI Torx Tp  |
| 64    | 111068      | 1   | Screw, 10-14 x 1.38 Taptite  |
| 65    | 93469       | 1   | Washer, .4690D/.2221D  |
| 66    | 92879       | 1   | Spark Plug, RDJSJ  |
| 66    | 92879       |     | Spark Plug Torque 110-120 in/lbs.  |
| 67    | 224023      | 1   | Gasket, C'case   |
| 68    | 224024-01   | 1   | Plug, C'case   |
| 69    | 322437-90   | 1   | Plate, C'case, Coated Finish   |
| 70    | 111065      | 5   | Screw, 10-24 x .688 Tri Rnd  |
| 70    | 111065      |     | C'Case to Plast Plug Torque 35-40 in/lbs. Loctite 242.                   |
| 71    | 322240      | 1   | Label, Choke (vert)  |
| 72    | 322241      | 1   | Label, Choke (horiz)   |
| 73    | 322479      | 1   | Label, Starting Inst (Eng) For models with push to stop momentary button |

| Ref # | Part Number | Qty | Description   |
|-------|-------------|-----|---|
| 73    | 322480      | 1   | Label, Staring Inst (Eng) For models with slide to stop switch                                |
| 74    |             | 1   | Starter/Clutch Housing Asy See "Starter/Clutch Housing Assembly" illustration and parts list. |
|       | 224701      |     | 28cc Direct Drive   |
|       | 224702      |     | 28cc Clutch Drive   |
|       | 224703      |     | 32cc Clutch Drive   |

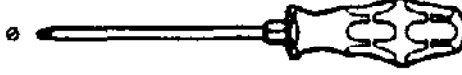


111124



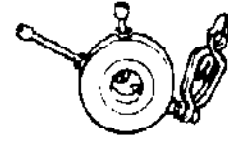
222785

217720



323754

215432-01



323330



91424

| Ref #     | Part Number | Qty | Description   |
|-----------|-------------|-----|---|
| 111124    | 111124      |     | T-27 Torx Dr 3.5 in.                                  |
| 222785    | 222785      |     | T-25 Torx dr 3.5 in.                                  |
| 217720    | 217720      |     | Torx Dr Set   |
| 323754    | 323754      |     | Torx Dr Set of 6 Bit Sizes: Tx 10, 15, 20, 25, 27, 30 |
| 215432-01 | 215432-01   |     | Pressure Test Tool                                    |
| 323330    | 323330      |     | Ignition Tester                                       |
| 91424     | 91424       |     | Tachometer  |