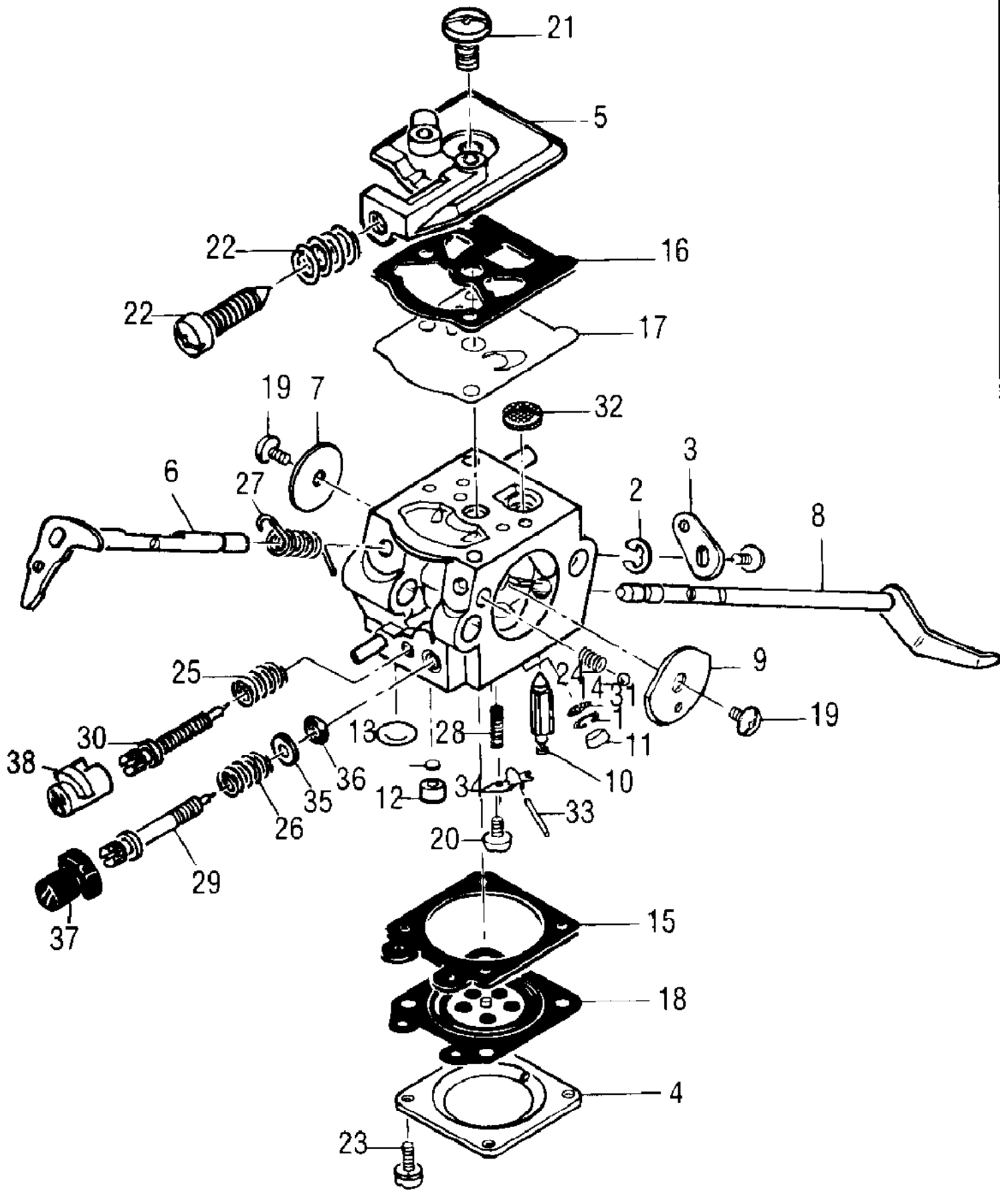


| Ref # | Part Number | Qty | Description |
|-------|-------------|-----|--|
| 1 | 323602-03 | 1 | Carburetor, Zama C1U M29D New Part. |
| | | 1 | Ring, Screen Retainer Not available individually. Included in Zama C1U M29D Carburetor P/N 323602-03. |
| 2 | | 1 | Collar Not available individually. Included in Zama C1U M29D Carburetor P/N 323602-03. |
| 3 | | 1 | Lever, Throttle Not available individually. Included in Zama C1U M29D Carburetor P/N 323602-03. |
| 4 | | 1 | Cover, Metering Lever Not available individually. Included in Zama C1U M29D Carburetor P/N 323602-03. |
| 5 | 300456 | 1 | Cover, Fuel Pump |
| 6 | | 1 | Shaft Asy, Throttle Included in Zama C1U M29D Carburetor P/N 323602-03 & Fuel Pump Cover P/N 300456. Not available individually. |
| 7 | | 1 | Valve, Throttle Not available individually. |
| 8 | | 1 | Shaft Asy Choke Not available individually. |
| 9 | | 1 | Valve, Choke Not available individually. |
| 10 | | 1 | Valve, Inlet Needle Not available individually. |
| 11 | | 1 | Plug, Welch Not available individually. |
| 12 | | 1 | Ball, Choke Friction Not available individually. |
| 13 | | 1 | Gasket, Metering Diaphragm Not available individually. |
| 14 | | 1 | Gasket, Fuel Pump Not available individually. |
| 15 | | 1 | Diaphragm, Fuel Pump Not available individually. |
| 16 | | 1 | Diaphragm Asy, Metering Not available individually. |
| 17 | | 1 | Screw, Valve Not available individually. |
| 18 | | 1 | Screw, Valve Not available individually. |
| 19 | | 1 | Screw, Metering Lever Pin Not available individually. |
| 20 | | 2 | Screw, Pump Cover Not available individually. |
| 21 | | 1 | Screw, Idle Adjust Kit Not available individually. |
| 22 | | 2 | Screw, Metering Cover Not available individually. |
| 23 | | 1 | Spring, Choke Friction Not available individually. |
| 24 | | 2 | Spring Needle Not available individually. |
| 25 | | 1 | Spring, Throttle Return Not available individually. |
| 26 | | 1 | Spring, Metering Lever Not available individually. |
| 27 | | 1 | Needle, High Speed Not available individually. |
| 28 | | 1 | Needle, Low Speed Not available individually. |
| 29 | | 1 | Screen, Check Valve Not available individually. |
| 30 | | 1 | Screen, Fuel Inlet Not available individually. |
| 31 | | 1 | Pin, Metering Lever Not available individually. |
| 32 | | 1 | Lever, Metering Not available individually. |
| 33 | | 1 | Nozzle Asy, Check Valve Not available individually. |
| 34 | | 1 | Screw, Throttle Lever Not available individually. |
| 35 | 323603 | 1 | Cap, Limiter, High, Black |
| 36 | 323604 | 1 | Cap, Limiter, Low, White |
| | 300454 | | Kit, Major Repair RB-48 |
| | 300473 | | Kit, Gasket/Diaphragm GND-13 |
| | 322358 | | Kit, Choke Lever 40-999 |



| Ref # | Part Number | Qty | Description |
|-------|-------------|-----|---|
| 1 | 323602-03 | 1 | Carburetor, Walbro WT 434 New Part. Ring, Screen Retainer Not available individually. Included in P/N 323602-03 Walbro WT 434 Carburetor. |
| 2 | | 1 | Ring, Shaft Retainer Not available individually. Included in P/N 323602-03 Walbro WT 434 Carburetor. |
| 3 | | 1 | Lever, Throttle Not available individually. Included in P/N 323602-03 Walbro WT 434 Carburetor. |
| 4 | | 1 | Cover, Metering Lever Not available individually. Included in P/N 323602-03 Walbro WT 434 Carburetor. |
| 5 | 300072 | 1 | Cover, Fuel Pump Included in P/N 323602-03 Walbro WT 434 Carburetor. |
| 6 | | 1 | Shaft Asy, Throttle Not available individually. Included in P/N 323602-03 Walbro WT 434 Carburetor & Fuel Pump Cover P/N 300072. |
| 7 | | 1 | Valve, Throttle Not available individually. Included in P/N 323602-03 Walbro WT 434 Carburetor & Fuel Pump Cover P/N 300072. |
| 8 | | 1 | Shaft Asy, Choke Not available individually. Included in P/N 323602-03 Walbro WT 434 Carburetor & Fuel Pump Cover P/N 300072. |
| 9 | | 1 | Valve, Choke Not available individually. Included in P/N 323602-03 Walbro WT 434 Carburetor & Fuel Pump Cover P/N 300072. |
| 10 | | 1 | Valve, Inlet Needle Not available individually. Included in P/N 323602-03 Walbro WT 434 Carburetor & Fuel Pump Cover P/N 300072. |
| 11 | | 1 | Seat Asy, Check Valve Not available individually. Included in P/N 323602-03 Walbro WT 434 Carburetor & Fuel Pump Cover P/N 300072. |
| 12 | | 1 | Plug, Cup Not available individually. Included in P/N 323602-03 Walbro WT 434 Carburetor & Fuel Pump Cover P/N 300072. |
| 13 | | 1 | Plug, Welch Not available individually. Included in P/N 323602-03 Walbro WT 434 Carburetor & Fuel Pump Cover P/N 300072. |
| 14 | | 1 | Ball, Choke Friction Not available individually. Included in P/N 323602-03 Walbro WT 434 Carburetor & Fuel Pump Cover P/N 300072. |
| 15 | | 1 | Gasket, Metering Diaphragm Not available individually. Included in P/N 323602-03 Walbro WT 434 Carburetor & Fuel Pump Cover P/N 300072. |
| 16 | | 1 | Gasket, Fuel Pump Not available individually. Included in P/N 323602-03 Walbro WT 434 Carburetor & Fuel Pump Cover P/N 300072. |

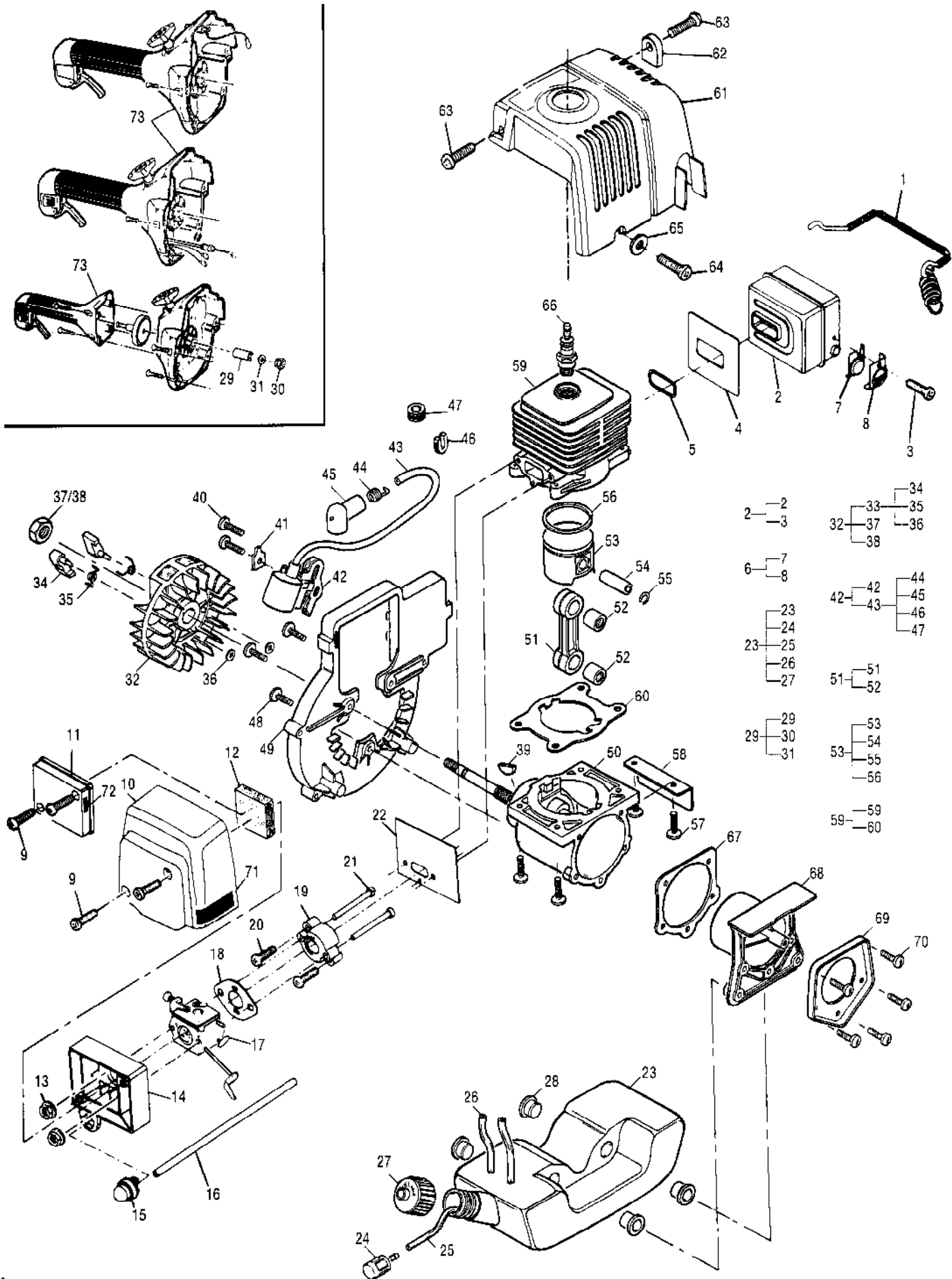
| Ref # | Part Number | Qty | Description |
|-------|-------------|-----|--|
| 17 | | 1 | Diaphragm, Fuel Pump Not available individually. Included in P/N 323602-03 Walbro WT 434 Carburetor & Fuel Pump Cover P/N 300072. |
| 18 | | 1 | Diaphragm Asy, Metering Not available individually. Included in P/N 323602-03 Walbro WT 434 Carburetor & Fuel Pump Cover P/N 300072. |
| 19 | | 2 | Screw, Valve Not available individually. Included in P/N 323602-03 Walbro WT 434 Carburetor & Fuel Pump Cover P/N 300072. |
| 20 | | 1 | Screw, Metering Lever Pin Not available individually. Included in P/N 323602-03 Walbro WT 434 Carburetor & Fuel Pump Cover P/N 300072. |
| 21 | | 1 | Screw, Pump Cover Not available individually. Included in P/N 323602-03 Walbro WT 434 Carburetor & Fuel Pump Cover P/N 300072. |
| 22 | | 1 | Spring, Idle Adjust Kit Not available individually. Included in P/N 323602-03 Walbro WT 434 Carburetor & Fuel Pump Cover P/N 300072. |
| 23 | | 4 | Screw, Metering Cover Not available individually. Included in P/N 323602-03 Walbro WT 434 Carburetor & Fuel Pump Cover P/N 300072. |
| 24 | | 1 | Spring, Choke Friction Not available individually. Included in P/N 323602-03 Walbro WT 434 Carburetor & Fuel Pump Cover P/N 300072. |
| 25 | | 1 | Spring, Idle Needle Not available individually. Included in P/N 323602-03 Walbro WT 434 Carburetor & Fuel Pump Cover P/N 300072. |
| 26 | | 1 | Spring, High Speed Needle Not available individually. Included in P/N 323602-03 Walbro WT 434 Carburetor & Fuel Pump Cover P/N 300072. |
| 27 | | 1 | Spring, Throttle Return Not available individually. Included in P/N 323602-03 Walbro WT 434 Carburetor & Fuel Pump Cover P/N 300072. |
| 28 | | 1 | Spring, Metering Lever Not available individually. Included in P/N 323602-03 Walbro WT 434 Carburetor & Fuel Pump Cover P/N 300072. |
| 29 | | 1 | Needle, High Speed Not available individually. Included in P/N 323602-03 Walbro WT 434 Carburetor & Fuel Pump Cover P/N 300072. |
| 30 | | 1 | Needle, Low Speed Not available individually. Included in P/N 323602-03 Walbro WT 434 Carburetor & Fuel Pump Cover P/N 300072. |
| 31 | | 2 | Screen, Check Valve Not available individually. Included in P/N 323602-03 Walbro WT 434 Carburetor & Fuel Pump Cover P/N 300072. |

| Ref # | Part Number | Qty | Description |
|-------|-------------|-----|--|
| 32 | | 1 | Screen, Fuel Inlet Not available individually. Included in P/N 323602-03 Walbro WT 434 Carburetor & Fuel Pump Cover P/N 300072. |
| 33 | | 1 | Pin, Metering Lever Not available individually. Included in P/N 323602-03 Walbro WT 434 Carburetor & Fuel Pump Cover P/N 300072. |
| 34 | | 1 | Lever, Metering Not available individually. Included in P/N 323602-03 Walbro WT 434 Carburetor & Fuel Pump Cover P/N 300072. |
| 35 | | 1 | Ring, High Speed Not available individually. Included in P/N 323602-03 Walbro WT 434 Carburetor & Fuel Pump Cover P/N 300072. |
| 36 | | 1 | Washer, High Speed Not available individually. Included in P/N 323602-03 Walbro WT 434 Carburetor & Fuel Pump Cover P/N 300072. |
| 37 | 323601 | 1 | Cap. Limiter, High, Black Included in P/N 323602-03 Walbro WT 434 Carburetor & Fuel Pump Cover P/N 300072. |
| 38 | 323602 | 1 | Cap, Limiter, Low, White Included in P/N 323602-03 Walbro WT 434 Carburetor & Fuel Pump Cover P/N 300072. |
| | 300457 | | Kit, Major Repair A1117WT |
| | 224460 | | Kit, Gasket/Diaphragm (B1106WT) |
| | 322363 | | Kit, Choke Lever 40-999 |

No
Diagram
Available

Parts List
Only

| Ref # | Part Number | Qty | Description |
|-------|-------------|-----|---|
| | 322235-02 | | Loctite Kit |
| | 322236 | | Retaining Compound 620 (10 ml) Included in Loctite Kit P/N 322235-02. |
| | 322237 | | Thread Locker 242 (10 ml) Included in Loctite Kit P/N 322235-02. |
| | 322238 | | Gasket Eliminator 518 (50 ml) Included in Loctite Kit P/N 322235-02. |
| | 322239-01 | | Black Max 380 (3 ml) Included in Loctite Kit P/N 322235-02. |
| | 323749 | | Thread Locker 262 (10 ml) Included in Loctite Kit P/N 322235-02. |
| | 323762 | | Anti-Seize Lubricant 767 (30 ml) Included in Loctite Kit P/N 322235-02. |



| Ref # | Part Number | Qty | Description |
|-------|-------------|-----|--|
| 1 | 224044 | 1 | Spring, Muffler |
| 2 | 224034 | 1 | Kit, Muffler New Part. |
| 3 | 111072 | 1 | Screw, 8-18 x.31 Pn Dh Sl Torx Included in Muffler Kit P/N 224034. |
| 4 | 224228 | 1 | Gasket, Muffler |
| 5 | 224922 | 1 | Gasket, Exhaust Port |
| 6 | 302424 | 1 | Kit, Spark Arrester New Part. |
| 7 | 224040 | 1 | Screen, Spark Arrester Included in Spark Arrester Kit P/N 302424. |
| 8 | 322032 | 1 | Cover, Spark Arrester Included in Spark Arrester Kit P/N 302424. |
| 9 | 111055 | 2 | Screw, 10-24 x .625, Plast |
| 10 | 224236 | 1 | Cover, Air Cleaner, Large (Black) |
| 10 | 22423672 | 1 | Cover, Air Cleaner, Large (Green) |
| 11 | 224237 | 1 | Cover, Air Cleaner, Small (Black) |
| 12 | 224239 | 1 | Filter, Air |
| 13 | 111058 | 2 | Nut, 10-24 Hex, Flange Torque to 25-30 IN/LBS |
| 14 | 224238 | 1 | Box, Air (Blk) |
| 15 | 22424202 | 1 | Primer, Remote |
| 16 | 225163 | 1 | Hose, Fuel Return |
| 17 | | 1 | Carburetor w/Choke Not available individually. See "Shaft/Handle/Stringhead Assembly" Illustration & Parts List. |
| 18 | 218933 | 1 | Gasket, Carburetor |
| 19 | 22404102 | 1 | Insulator, Carburetor New Part. |
| 20 | 111053 | 2 | Screw, 10-24 x .88 Thd Form Torque to 45-50 IN/LBS Loctite 242 required |
| 21 | 111057 | 2 | Screw, 10-24 Spl |
| 22 | 322031 | 1 | Gasket, Manifold |
| 23 | 302349 | 1 | Tank, Fuel (Natural) |
| 24 | 216985 | 1 | Filter, Fuel New Part. Included in Fuel Tank P/N 302349. |
| 25 | 225162 | 1 | Hose, Fuel Included in Fuel Tank P/N 302349. |
| 26 | 225163 | 1 | Hose, Fuel Return Included in Fuel Tank P/N 302349. |
| 27 | 223508 | 1 | Cap, Fuel, w/Retainer New Part. Included in Fuel Tank P/N 302349. |
| 28 | 322105 | 4 | Isolator, Fuel Tank |
| 29 | 301114 | 1 | Kit, Spacer, Clutch |
| 30 | 322847 | 1 | Nut, Hex, 7/16-20 Included in Spacer Clutch Kit P/N 301114. |
| 31 | 322844 | 1 | Washer, Shaft Included in Spacer Clutch Kit P/N 301114. |
| 32 | 30082701 | 1 | Kit, Flywheel, 28/32 New Part. |
| 33 | | 1 | Kit, Pawls/Flywheel Not available individually. Included in Flywheel Kit P/N 300827-01. |
| 34 | 322297 | 2 | Pawl, Starter New Part. Included in Flywheel Kit P/N 300827-01 & Pawls/Flywheel Kit. |
| 35 | 322835 | 2 | Spring, Starter Pawl New Part Included in Flywheel Kit P/N 300827-01 & Pawls/Flywheel Kit. |

| Ref # | Part Number | Qty | Description |
|-------|-------------|-----|---|
| 36 | 111086 | 2 | Ring, Retainer Included in Flywheel Kit P/N 300827-01 & Pawls/Flywheel Kit. |
| 37 | 111085 | 1 | Nut, Direct Drive Torque to 140-145 IN/LBS Loctite 242 Required Included in Flywheel Kit P/N 300827-01. |
| 38 | 322847 | 1 | Nut, 7/16-20, Clutch Drive Torque to 140-145 IN/LBS Loctite 242 Required Included in Flywheel Kit P/N 300827-01. |
| 39 | 102164 | 1 | Key, Flywheel |
| 40 | 111053 | 2 | Screw, 10-24 x .88 Thd Form Torque to 45-50 IN/LBS Loctite 242 required |
| 41 | 300321 | 1 | Terminal Tab |
| 42 | 302138 | 1 | Ignition Asy |
| 43 | 223884 | 1 | Kit, Spark Plug Wire Included in Ignition Asy. P/N 302138. |
| 44 | 102556 | 1 | Connector, Spark Included in Ignition Asy. P/N 302138 & Spark Plug Wire Kit P/N 223884. |
| 45 | 95266 | 1 | Boot, Spark Plug Included in Ignition Asy. P/N 302138 & Spark Plug Wire Kit P/N 223884. |
| 46 | 21553301 | 1 | Grommet, H/T Lead, Split Included in Ignition Asy. P/N 302138 & Spark Plug Wire Kit P/N 223884. |
| 47 | 110995 | 1 | Grommet, S/Plug Wire Included in Ignition Asy. P/N 302138 & Spark Plug Wire Kit P/N 223884. |
| 48 | 111067 | 3 | Screw, 10-24x.63 SITor Tp Torque to 55-60 IN/LBS Loctite 242 required |
| 49 | 224042 | 1 | Shroud, Engine |
| 50 | 301539 | 1 | C'case/C'shaft Asy, Direct Drive |
| | | 1 | C'case Asy Not available individually. Included in C'case/C'shaft Asy. Direct Drive P/N 301539. |
| | | 1 | C'case, Machined Not available individually. Included in C'case/C'shaft Asy. Direct Drive P/N 301539. |
| | | 1 | Bearing 6202 Not available individually. Included in C'case/C'shaft Asy. Direct Drive P/N 301539 & C'case Machined. |
| | | 1 | Bearing 6202RS Not available individually. Included in C'case/C'shaft Asy. Direct Drive P/N 301539 & C'case Machined. |
| | | 1 | Seal Not available individually. Included in C'case/C'shaft Asy. Direct Drive P/N 301539 & C'case Machined. |
| | | 1 | Spacer Not available individually. Included in C'case/C'shaft Asy. Direct Drive P/N 301539 & C'case Machined. |
| | | 1 | O-ring Not available individually. Included in C'case/C'shaft Asy. Direct Drive P/N 301539 & C'case Machined. |
| 50 | 301821 | 1 | C'case/C'shaft Asy, Clutch Drive New Part. |

| Ref # | Part Number | Qty | Description |
|-------|-------------|-----|---|
| | | 1 | C'shaft Asy Not available individually. Included in C'case/C'shaft Asy. Clutch Drive P/N 301821. |
| | | 1 | C'case, Machined Not available individually. Included in C'case/C'shaft Asy. Clutch Drive P/N 301821. |
| | | 1 | Bearing 6202 Not available individually. Included in C'case/C'shaft Asy. Clutch Drive P/N 301821 & C'case Machined. |
| | | 1 | Bearing 6202RS Not available individually. Included in C'case/C'shaft Asy. Clutch Drive P/N 301821 & C'case Machined. |
| | | 1 | Seal Not available individually. Included in C'case/C'shaft Asy. Clutch Drive P/N 301821 & C'case Machined. |
| | | 1 | Spacer Not available individually. Included in C'case/C'shaft Asy. Clutch Drive P/N 301821 & C'case Machined. |
| | | 1 | O Ring Not available individually. Included in C'case/C'shaft Asy. Clutch Drive P/N 301821 & C'case Machined. |
| 51 | 301982 | 1 | Rod, Connecting Asy New Part. |
| 52 | 91117 | 2 | Bearing Included in Rod, Connecting Asy. P/N 301982. |
| 53 | 300661 | 1 | Kit, Piston, 28cc Aluminum |
| 53 | 300663 | 1 | Kit, Piston, 32cc Aluminum |
| 54 | 300482 | 1 | Pin, C'shaft Piston Included in Aluminum Piston 28cc Kit P/N 300661 & Aluminum Piston 32cc Kit P/N 300663. |
| 55 | 215876 | 1 | Ring, Retaining Included in Aluminum Piston 28cc Kit P/N 300661 & Aluminum Piston 32cc Kit P/N 300663. |
| 56 | 224224 | 1 | Ring, Piston, 35mm Included in Aluminum Piston 28cc Kit P/N 300661. |
| 56 | 224217 | 1 | Ring, Piston Included in Aluminum Piston 32cc Kit P/N 300663. |
| 57 | 111065 | 4 | Screw, 10-24 x .688 Tri Rnd Torque to 55-60 IN/LBS Loctite 242 required |
| 58 | 322030 | 1 | Shield Muffler |
| 59 | 300452 | 1 | OS Kit, Cylinder/Gasket, 28cc Chrome |
| 59 | 300453 | 1 | Kit, Cylinder/Gasket, 32cc Chrome |
| 60 | 224022 | 1 | Gasket, Cylinder Included In Cylinder/Gasket 28cc Kit P/N 300452 & Cylinder/Gasket 32cc Kit P/N 300453. |
| 61 | 224235 | 1 | Cover, Cylinder/Muffler (Black) |
| 62 | 322210 | 1 | Washer, Plastic |
| 63 | 111067 | 2 | Screw, 10-24 x .63 SI Torx Tp |
| 64 | 111068 | 1 | Screw, 10-14 x 1.38 Taptite |
| 65 | 93469 | 1 | Washer, .4690D/.2221D |
| 66 | 92879 | 1 | Spark Plug, RDJ&J Torque to 110-120 IN/LBS |
| 67 | 224023 | 1 | Gasket, C'case |
| 68 | 22402401 | 1 | Plug, C'case New Part. |

| Ref # | Part Number | Qty | Description |
|-------|-------------|-----|---|
| 69 | 32243790 | 1 | Plate, C'case, Coated Finish New Part. |
| 70 | 111065 | 5 | Screw, 10-24 x .688 Tri Rnd Torque to 35-40 IN/LBS Loctite 242 required |
| 71 | 322240 | 1 | Label, Choke (Vertical) |
| 72 | 322480 | 1 | Label, Staring Inst (Eng) For models with slide to stop switch. |
| 73 | | 1 | Starter/Clutch Housing Asy. See "Starter/Clutch Housing Assembly" Illustration and Parts List. |



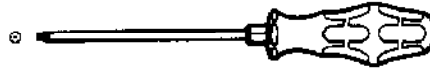
PN 111124 - T-27 Torx Dr 3 5 in



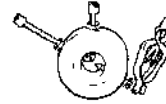
PN 222785 - T-25 Torx dr 3 5 in



PN 217720 - Torx Dr Set



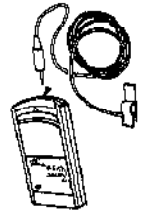
PN 323754 - Torx Dr Set of 6
Bit Sizes Tx 10 15 20 25 27 30



PN 323330
Ignition Tester

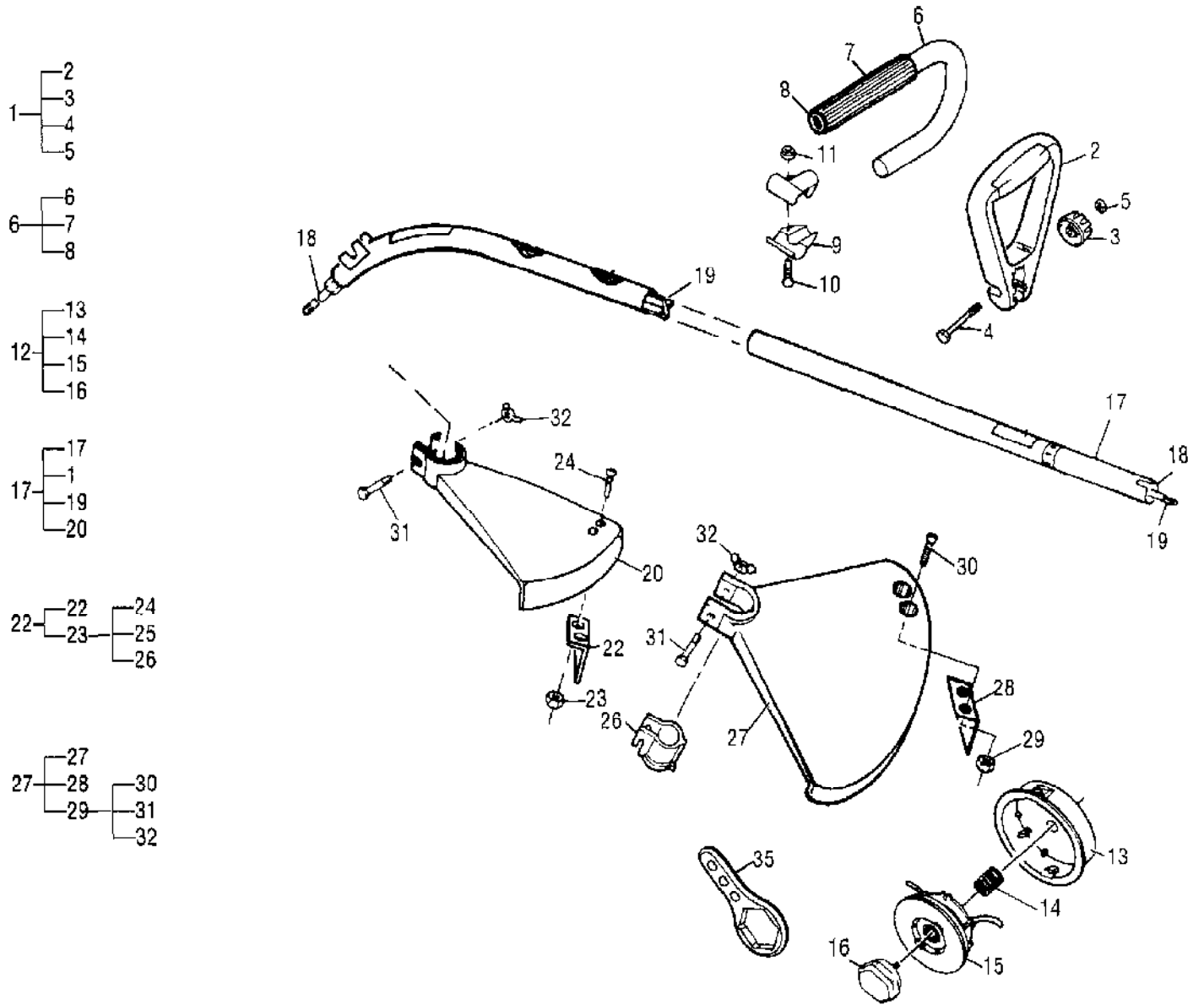


PN 215432-01
Pressure Test Tool

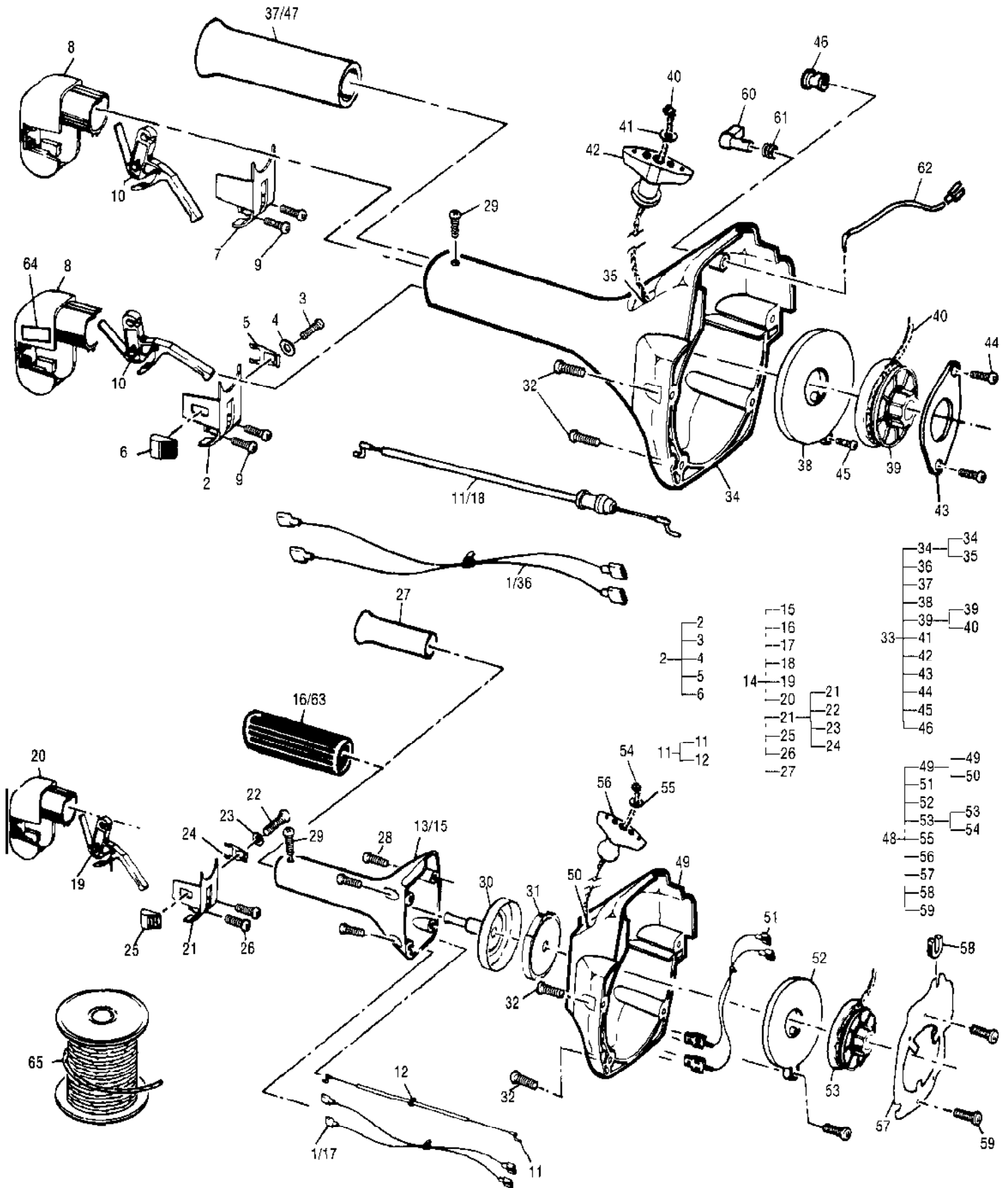


PN 91424
Tachometer

| Ref # | Part Number | Qty | Description |
|----------|-------------|-----|--|
| 111124 | 111124 | | T-27 Torx Dr 3.5 in. |
| 222785 | 222785 | | T-25 Torx dr 3.5 in. |
| 217720 | 217720 | | Torx Or Set |
| 323754 | 323754 | | Torx Dr Set of 6 Bit Sizes: Tx 10,15,20,25,27,30 |
| 323330 | 323330 | | Ignition Tester |
| 21543201 | 21543201 | | Pressure Test Tool |
| 91424 | 91424 | | Tachometer |



| Ref # | Part Number | Qty | Description |
|-------|-------------|-----|-------------------------------|
| 1 | 300834 | 1 | Handle, Delta Kit |
| 2 | 3710610 | 1 | Assist Handle w/Cap Asy |
| 3 | 322719 | 1 | Knob |
| 4 | 0907599 | 1 | Bolt, 1/4 in.-20 x 2.5 Hx Cap |
| 5 | 1303599 | 1 | Nut, 1/4 in.-20 x .22 T |
| 6 | 300540 | 1 | Handle, J-Grip Asy |
| 7 | 322139 | 1 | Grip |
| 8 | 218328 | 1 | Plug, Tubing |
| 9 | 215337 | 2 | Clamp, Handle |
| 10 | 217935 | 2 | Screw |
| 11 | 218315 | 2 | Nut, 10-24 |
| 12 | 300651 | 1 | Kit, Stringhead, Small |
| 13 | 322025 | 1 | Housing/Eyelet Asy w/Collar |
| 14 | 324089 | 1 | Spring, McC Stringhead |
| 15 | 300688 | 1 | Kit, Line on Spool, M-Sm |
| 16 | 300736 | 1 | Kit, Knob Asy, Small |
| 17 | 300429 | 1 | Housing Asy, Outer, 44" |
| 17 | 300424 | 1 | Housing Asy, Outer, 48" |
| 18 | 223412 | 2 | Clip, Spring External |
| 19 | 301023 | 1 | Shaft, Flex, 41" |
| 19 | 215324 | 1 | Shaft, Flex, 48" |
| 20 | 224062 | 1 | Shield Asy, Grass, R, 17in. |
| 21 | 300626 | 1 | Kit, Knife |
| 22 | 22449701 | 1 | Cutter |
| 23 | 216682 | 2 | Nut, Lock 10-24 Hex |
| 24 | 217935 | 2 | Screw, 10-24 x 50 Torx |
| 25 | 300317 | 1 | Shield Asy, Grass, 90ø |
| 26 | 224499 | 1 | Spacer |
| 27 | 300626 | 1 | Kit, Knife |
| 28 | 22449701 | 1 | Cutter |
| 29 | 216682 | 1 | Nut, Lock 10-24 Hex |
| 30 | 217935 | 2 | Screw, 10-24 x .50 Torx |
| 31 | 216595 | 1 | Screw, M6 x 1.0 Hex |
| 32 | 111102 | 1 | Nut, Wing M6 x 1.0 |
| 33 | 322344 | 1 | Wrench, Stringhead |
| 35 | | | UNKNOWN |



| Ref # | Part Number | Qty | Description |
|-------|-------------|-----|---|
| 1 | 301133 | 1 | Wire Asy, Switch |
| 1 | 301135 | 1 | Wire Asy, Switch |
| 2 | 300064 | 1 | Cover, Asy, Switch |
| 3 | 111069 | 1 | Screw, 8-16 x .375 Plastite Included in Cover Asy, Switch. |
| 4 | 105497 | 1 | Washer, Flat, .180 ID max Included in Cover Asy, Switch. |
| 5 | 224246 | 1 | Contact, Switch Included in Cover Asy, Switch. |
| 6 | 224245 | 1 | Button, Stop Switch Included in Cover Asy, Switch. |
| 7 | 224914 | 1 | Cover, Switch Housing |
| 8 | 224234 | 1 | Trigger Hsg Asy, 22mm, 28/32 |
| 9 | 111061 | 2 | Screw, 6-19 x .62 FI Hd Plastite |
| 10 | 300361 | 1 | Trigger, Throttle |
| 11 | 30014901 | 1 | Throttle Cable, Direct Drive New Part. |
| 11 | 30037201 | 1 | Throttle Cable, Clutch Drive New Part. |
| 12 | 111074 | 1 | Nut, Speed, .188 ID Included in Throttle Cable, Clutch Drive P/N 300372-01. |
| 13 | 224912 | 1 | Housing, Clutch, 7/8 in. (Yellow) |
| 13 | 300014 | 1 | Housing, Clutch, 7/8 in. (Grey) |
| 14 | 30078261 | 1 | Housing Asy, Clutch, 7/8 in. (Black) |
| 15 | 22491261 | 1 | Housing, Clutch, 7/8 in. (Black) Included in Housing Asy. Clutch, 7/8" P/N 300782-61. |
| 16 | 322140 | 1 | Grip Included in Housing Asy. Clutch, 7/8" P/N 300782-61. |
| 17 | 301133 | 1 | Wire Asy, Switch Included in Housing Asy. Clutch, 7/8" P/N 300782-61. |
| 18 | 30037201 | 1 | Cable Asy, Throttle Included in Housing Asy. Clutch, 7/8" P/N 300782-61. |
| 19 | 300361 | 1 | Trigger, Throttle Included in Housing Asy. Clutch, 7/8" P/N 300782-61. |
| 20 | 224234 | 1 | Trigger Hsg Asy, 22mm, 28/32 Included in Housing Asy. Clutch, 7/8" P/N 300782-61. |
| 21 | 300064 | 1 | Cover, Asy, Switch Included in Housing Asy. Clutch, 7/8" P/N 300782-61. |
| 22 | 111069 | 1 | Screw, 8-16 x .375 Plastite Included in Housing Asy. Clutch, 7/8" P/N 300782-61 & Cover Asy. Switch P/N 300064. |
| 23 | 105497 | 1 | Washer, Flat, .180 ID max Included in Housing Asy. Clutch, 7/8" P/N 300782-61 & Cover Asy. Switch P/N 300064. |
| 24 | 224246 | 1 | Contact, Switch Included in Housing Asy. Clutch, 7/8" P/N 300782-61 & Cover Asy. Switch P/N 300064. |
| 25 | 224245 | 1 | Button, Stop Switch Included in Housing Asy. Clutch, 7/8" P/N 300782-61. |
| 26 | 111061 | 2 | Screw, 6-19 x .62 FI Hd Plast Included in Housing Asy. Clutch, 7/8" P/N 300782-61. |

| Ref # | Part Number | Qty | Description |
|-------|-------------|-----|--|
| 27 | 322234 | 1 | Sleeve, Protecting Included in Housing Asy. Clutch, 7/8" P/N 300782-61. |
| 28 | 224919 | 4 | Screw, 10-14 x 1.0 Pn Hd Torque to 30-35 IN/LBS |
| 29 | 111070 | 1 | Screw, 12-11 x .5 Pn Hd Torx |
| 30 | 302106 | 1 | Drum, Clutch, Heat Treated |
| 31 | 300459 | 1 | Kit, Clutch |
| 32 | 111054 | 4 | Screw, 10-24 x .625 Torque to 30-35 IN/LBS |
| 33 | 300979 | 1 | Kit, Starter Asy w/Plug (Grey) |
| 33 | 300118 | 1 | Starter Asy w/Plug (Yellow) Used on Direct Drive models 12400128-25/-49/-59/-61. 224000128-11. 400128-01/-19/-21/-27/-51/-73/-85/-93/-97/-05/-47/-96 400132-01/-44. 002815-00. 002816-00. Used on 22400128-01/-21/-51/-73/-93. 124000128-05/-11/-19/-25/-27/-47/-59/-61/-85. |
| 33 | 224917-61 | 1 | Starter Asy (Black) |
| 34 | 300621 | 1 | Housing, Starter/Rope Guide Included in Starter Asy. w/Plug (Yellow) P/N 300118. |
| 34 | | 1 | Housing, Starter DD (Black) Included in Starter Asy. (Black) Direct Drive P/N 224917-61. |
| 34 | 300980 | 1 | Housing, Starter/Rope Guide Included in Starter Asy. w/Plug (Grey) P/N 300979. |
| 35 | | 1 | Rope Guide Included in Starter Asy. P/N 300979, P/N 300118 & P/N 224917-61. |
| 36 | 301135 | 1 | Wire Asy, Switch Included in Starter Asy. P/N 300979, P/N 300118 & P/N 224917-61. |
| 37 | 322234 | 1 | Sleeve, Protecting Included in Starter Asy. P/N 300979, P/N 300118 & P/N 224917-61. |
| 38 | 300475 | 1 | Spring, Starter Rewind Included in Starter Asy. P/N 300979, P/N 300118 & P/N 224917-61. |
| 39 | 300872 | 1 | Drum/Rope Asy, 28/32 Included in Starter Asy. P/N 300979, P/N 300118 & P/N 224917-61. |
| 40 | 222869 | 1 | Rope, Starter, 46 in. Included in Starter Asy. P/N 300979, P/N 300118 & P/N 224917-61. |
| 41 | 218941 | 1 | Washer, Nylon Included in Starter Asy. P/N 300979, P/N 300118 & P/N 224917-61. |
| 42 | 216792 | 1 | Handle, Starter Included in Starter Asy. P/N 300979, P/N 300118 & P/N 224917-61. |
| 43 | 322362 | 1 | Pulley, Retained, Direct Drive Included in Starter Asy. P/N 300979, P/N 300118 & P/N 224917-61. |
| 44 | 223357 | 2 | Screw, 8-16 Plastite Included in Starter Asy. P/N 300979, P/N 300118 & P/N 224917-61. |
| 45 | 322027 | 1 | Screw, Spring Retainer Included in Starter Asy. P/N 300979, P/N 300118 & P/N 224917-61. |
| 46 | 300119 | 1 | Plug, Switch Cover Included in Starter Asy. P/N 300979, P/N 300118 & P/N 224917-61. |
| 47 | 322234 | 1 | Protecting Sleeve Dealer stocked. Fast to medium moving part. |

| Ref # | Part Number | Qty | Description |
|-------|-------------|-----|--|
| 48 | 224916 | 1 | Starter Asy (Yellow) Clutch Drive Dealer stocked. Fast to medium moving part. |
| 48 | 300013 | 1 | Starter Asy (Grey) Clutch Dr. Distributor stocked. Medium to slow moving part. |
| 48 | 224916-61 | 1 | Starter Asy (Black) Distributor stocked. Medium to slow moving part. |
| 49 | 300616 | 1 | Housing, Starter/Rope Guide Included in Starter Asy. (Yellow), Clutch Drive P/N 224916. |
| 49 | 300618 | 1 | Housing, Starter/Rope Guide Included in Starter Asy. (Grey) Clutch Drive P/N 300013. |
| 49 | 224240-61 | 1 | Housing, Starter/Rope Guide Included in Starter Asy. Clutch Drive (Black) P/N 224916-61. |
| 50 | | 1 | Rope Guide Not available individually. |
| 51 | 301134 | 1 | Wire Asy, Starter Hsg Clutch Dr Included in Starter Asy. Clutch Drives P/N 224916, P/N 300013 & P/N 224916-61. |
| 52 | 300475 | 1 | Spring, Starter Rewind Included in Starter Asy. Clutch Drives P/N 224916, P/N 300013 & P/N 224916-61. |
| 53 | 300872 | 1 | Drum/Rope Asy, 28/32 Included in Starter Asy. Clutch Drives P/N 224916, P/N 300013 & P/N 224916-61. |
| 54 | 222869 | 1 | Rope, Starter, 46 in. Included in Starter Asy. Clutch Drives P/N 224916, P/N 300013 & P/N 224916-61. |
| 55 | 218941 | 1 | Washer, Nylon Included in Starter Asy. Clutch Drives P/N 224916, P/N 300013 & P/N 224916-61. |
| 56 | 216792 | 1 | Handle, Starter Included in Starter Asy. Clutch Drives P/N 224916, P/N 300013 & P/N 224916-61. |
| 57 | 224927 | 1 | Plate, Baffle, Clutch Drive Included in Starter Asy. Clutch Drives P/N 224916, P/N 300013 & P/N 224916-61. |
| 58 | 215533-01 | 1 | Grommet, H/T Lead Included in Starter Asy. Clutch Drives P/N 224916, P/N 300013 & P/N 224916-61. |
| 59 | 223357 | 3 | Screw, 8-16 Plastite Included in Starter Asy. Clutch Drives P/N 224916, P/N 300013 & P/N 224916-61. |
| 60 | 222914 | 1 | Button, Stop |
| 61 | 222913 | 1 | Spring, Stop Button |
| 62 | 222926 | 1 | Wire Asy, Switch |
| 63 | 322140 | 1 | Grip |
| 64 | 322081 | 1 | Label, ON/OFF Switch |
| 65 | 300415 | 1 | Rope, Bulk |