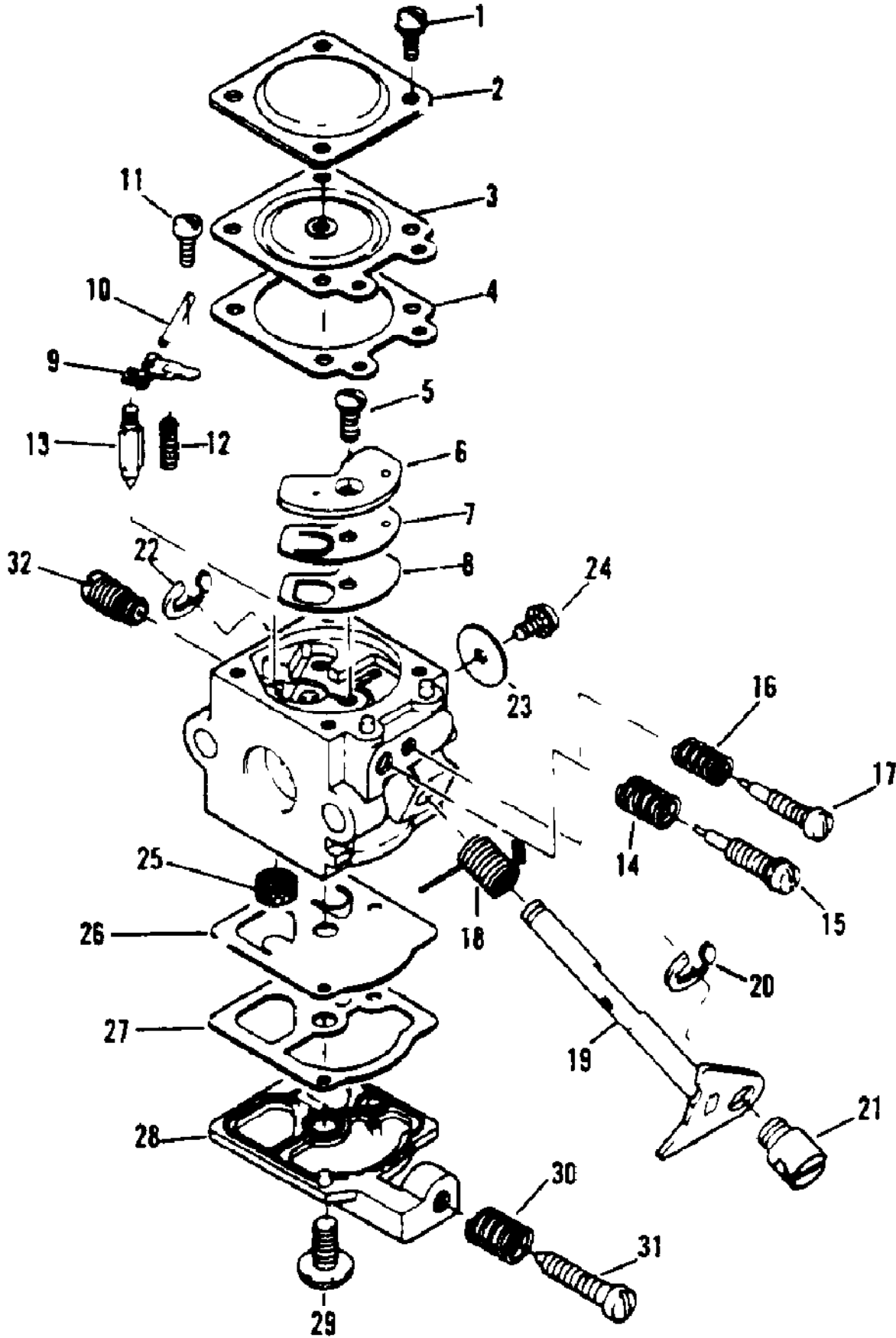


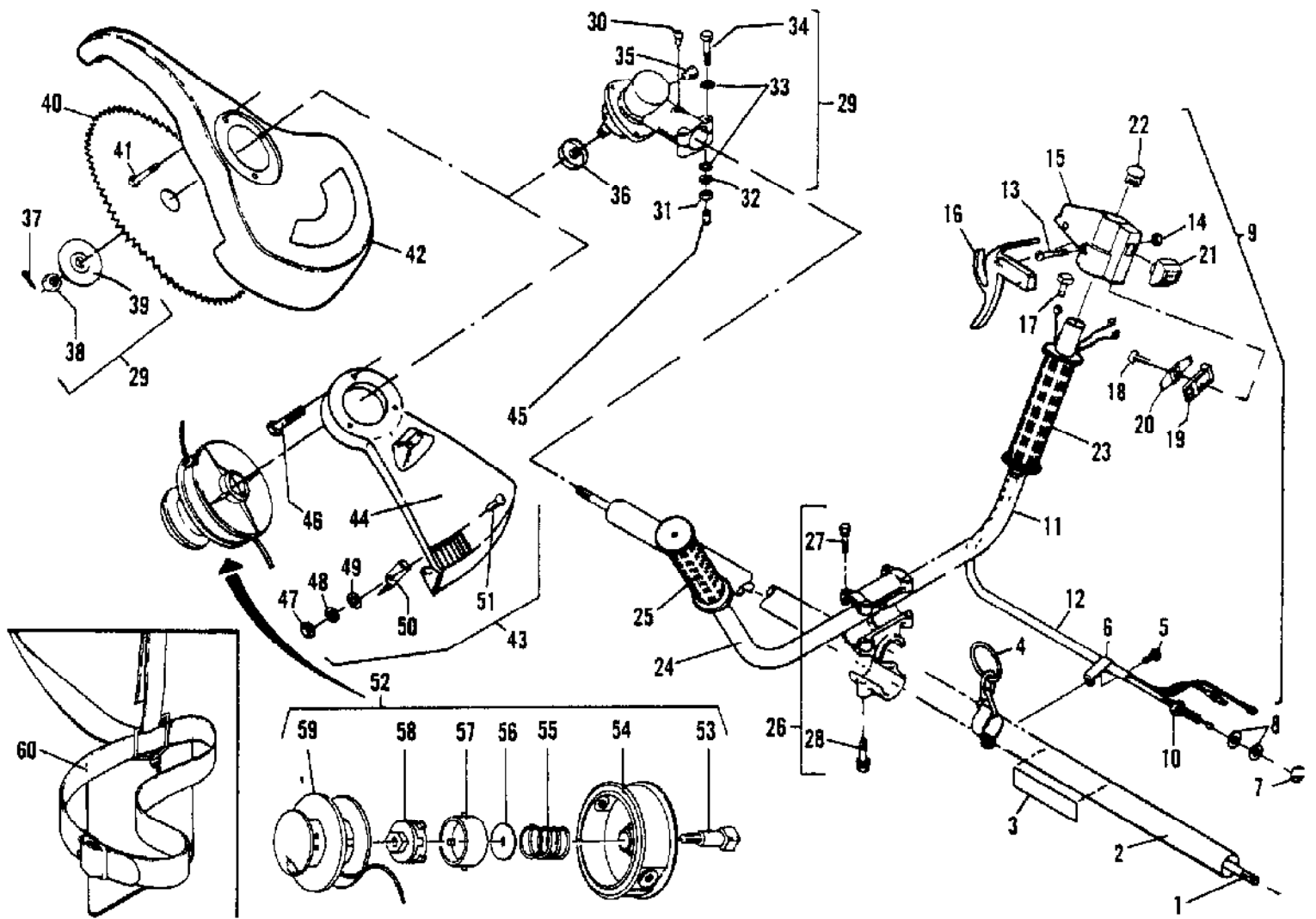
No
Diagram
Available

Parts List
Only

Ref #	Part Number	Qty	Description
	216822-01		Manual 2-Line Cutter Head
	217613-01		Manual Head/Shield Kit
	218198		Semi-Auto 2-Line Head
	218199		Semi-Auto 2-Line Head/Shield Kit
	216899-01		1-Lb Bulk Line .095
	216900-01		5-Lb Bulk Line .095
	218201		Harness Kit
	217868		Debris Shield Kit
	218213		4-Tooth Weed/Grass Blade
	218212		3-Point Plastic Grass Blade
	218575		8-Tooth Blade/Guard Kit
	216513-01		8-Tooth Weed/Grass Blade
	218587		80-Tooth Brush Blade/Guard Kit
	216514-01		80-Tooth Metal Brush Blade

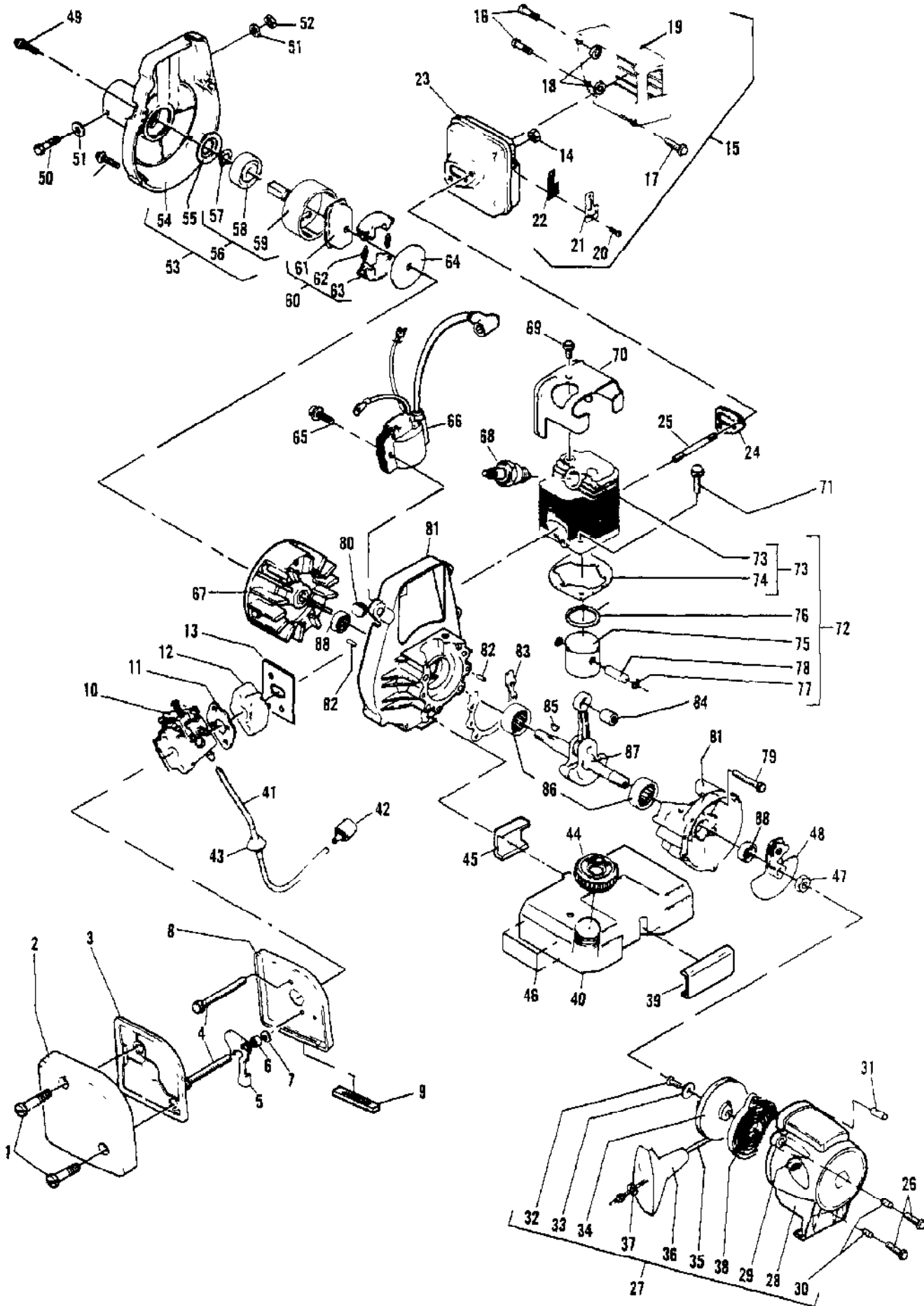


Ref #	Part Number	Qty	Description
	217274	1	Carburetor Assembly (Governed)
1		4	Screw - Cover Not available separately.
2		1	Cover - Diaphragm Not available separately.
3		1	Diaphragm - Metering Not available separately.
4		1	Gasket - Diaphragm Not available separately.
5		1	Screw - Circuit Plate Not available separately.
6		1	Plate Circuit Not available separately.
7		1	Diaphragm - Circuit Plate Not available separately.
8		1	Gasket - Circuit Plate Not available separately.
9		1	Lever - Metering Not available separately.
10		1	Pin - Lever Not available separately.
11		1	Screw - Lever Pin Not available separately.
12		1	Spring - Lever Not available separately.
13		1	Valve - Inlet Needle Not available separately.
14		1	Spring - High Speed Needle Not available separately.
15		1	Needle - High Speed Not available separately.
16		1	Spring - Low Speed Needle Not available separately.
17		1	Needle - Low Speed Not available separately.
18		1	Spring - Throttle Return Not available separately.
19		1	Shaft - Throttle Not available separately.
20		1	Clip Not available separately.
21		1	Swivel Not available separately.
22		1	Clip - Throttle Not available separately.
23		1	Valve - Throttle Not available separately.
24		1	Screw - Throttle Valve Not available separately.
25		1	Screen - Inlet Not available separately.
26		1	Diaphragm - Fuel Pump Not available separately.
27		1	Gasket - Fuel Pump Not available separately.
28		1	Cover - Fuel Pump Not available separately.
29		1	Screw - Pump Cover Not available separately.
30		1	Spring - Idle Screw Not available separately.
31		1	Screw - Idle Adjusting Not available separately.
32		1	Governor - Fixed Not available separately.



Ref #	Part Number	Qty	Description
1	217753	1	Shaft-Drive
2	219965	1	Housing-Outer
3	219030	1	Decal-Warning
4	218002	1	Ring-Harness
5	216789	1	Bolt-Ring
6	216788	1	Clip-Harness
7	217403	1	Nut-M6
8	216596	2	Washer-M6
9	216867	1	Handle/Grip/Wiring Asy (Right Hand)
10	217403	1	Nut-M6
11	216787	1	Bar-Handle
12	216372	1	Harness-Wiring
13	216027	1	Screw-M5 x 28.5
14	217159	1	Nut-Hex M5
15	215317	1	Housing-Trigger
16	215318	1	Trigger-Throttle
17	215323	1	Guide
18	110706	1	Screw-8-18 x 1/2
19	215319	1	Base-Stop Switch
20	215320	1	Contact-Switch
21	68846	1	Button-Switch
22	218328	1	Plug-Tubing Not available separately.
23	215322	1	Grip-Right Hand Not available separately.
24	216868	1	Handle/Grip Asy (Left Hand)
25	94212	1	Grip-Left Hand
26	217974	1	Clamp Assembly
27		4	Bolt
28		2	Bolt
29	218162	1	Gear Housing Assembly
30	216795	1	Screw-M5 x 12
31	216823	2	Nut-Hex M5
32	216824	2	Washer-Lock M5
33	216826	4	Washer-M5
34	216828	2	Bolt-M5 x 40
35	216832	1	Bolt-M8 x 8
36	216752	1	Collar
37	218159	1	Pin-Cotter
38	216751	1	Nut-M10 (Left Hand)
39	218075	1	Flange
40	216514-01	1	Blade-80 Tooth Brush
41	217935	3	Screw-10-24 x .50
42	218409	1	Shield-For Blades Only
43	217868	1	Kit-Shield (String Head Only)
44	216526	1	Shield
45	218378	4	Spacer-Shield
46	217936	3	Screw-10-24 x .75 Torx
47	218315	2	Nut-Hex M5
48	103174	2	Washer-Lock
49	110582	2	Washer-Flat M5
50	215316	1	Knife
51	217935	2	Screw-10-24 x .50 Torx
52	218198	1	Head-String
53	218905	1	Bolt-Shaft
54	218906	1	Housing
55	218907	1	Spring

Ref #	Part Number	Qty	Description
56	218908	1	Washer
57	218909	1	Drive-Outer
58	218910	1	Cam-Inner
59	218911	1	Spool
60	217956	1	Harness



Ref #	Part Number	Qty	Description
1	217669	2	Screw-Air Filter Cover (6-9 in. lb. torque)
2	215988	1	Cover-Air Filter
3	217376	1	Filter-Air
4	216903	2	Screw-Carburetor M5 x 55 (18-25 in. lb. torque)
5	215991	1	Shutter-Choke
6	215993	1	Spacer-Shutter
7	216591	1	Washer-Flat M5
8	216108	1	Airbox/Grommet Asy
9	215992	1	Grommet-Choke
10		1	Carburetor See "Carburetor Assembly" Illustration And Parts List
11	218933	1	Gasket-Carb./Insulator
12	219070	1	Insulator-Carb./C'Case
13	216575	1	Gasket-Insulator/C'Case
14	222247	2	Nut-Flange M5 (41-51 in. lb. torque)
15	219963	1	Kit Muffler/Shield Asy
16	218508	2	Screw-M4 x 17 (13-15 in. lb. torque)
17	217669	1	Screw-M4 x 25 (12-16 in. lb. torque)
18	219079	2	Spacer-Muffler
19	218962	1	Shield-Muffler
20	219194	2	Screw-5-20 x .438 (12-16 in. lb. torque)
21	219150	1	Cover-Screen
22	219149	1	Screen-Spark Arrester
23	219152	1	Muffler Assembly
24	215515	1	Gasket-Muffler
25	215517	2	Stud-Muffler
26	216022	2	Screw-M4 x 21.4 (13-15 in. lb. torque)
27	217388	1	Starter Assembly
28	217389	1	Housing
29	218932	1	Guide-Rope
30	219585	2	Spacer-Housing
31	219584	1	Spacer-Muffler
32	215874	1	Screw-M4 x 9.50 (18-21 in. lb. torque)
33	216590	1	Washer-M4 Flat
34	216092	1	Drum/Rope Asy.
35	216093	1	Rope-Starter
36	216792	1	Handle-Starter
37	218941	1	Washer Nylon
38	217482	1	Spring-Starter
39	217382	1	Cushion-Starter/Fuel Tank
40	217387	1	Fuel Tank/Hose Asy.
41	217264	1	Hose-Fuel
42	216985	1	Pickup-Fuel
43	215495	1	Grommet
44	222347	1	Cap-Fuel
45	217390	1	Cushion-C'Case/Fuel Tank
46	217383	1	Decal-40.1
47	216583	1	Nut-Starter Ratchet (149-176 in. lb. torque)
48	215525	1	Ratchet Asy. (Hand Tighten Only)
49	213177	4	Screw-M4 x 18.50
50	217158	1	Screw-M x 35
51	216591	2	Washer-Flat M5
52	217159	1	Nut-Hex M5 (35-43 in. lb. torque)
53	217548	1	Housing Asy-Fan
54	217534	1	Housing-Fan

Ref #	Part Number	Qty	Description
55	215534	1	Plate-Thrust
56	218065	1	Drum Asy-Clutch
57	213186	1	Ring-Retaining
58	213187	1	Bearing-Ball
59	218063	1	Drum-Clutch
60	216060	1	Clutch Assembly
61	215536	1	Rotor-Clutch
62	215537	2	Spring-Clutch
63		2	Shoe-Clutch Not available separately.
64	215539	1	Plate-Side
65	213177	2	Screw-M4.2 x 18.5 (12-16 in. lb. torque)
66	217439	1	Ignition (Lamination Gap .009 -.011)
67	219951	1	Flywheel Asy.
68	62345	1	Spark Plug (105-130 in. lb. torque)
69	213178	1	Screw-M5 x 8.5 (15-25 in. lb. torque)
70	215540	1	Cover-Cylinder
71	217320	2	Screw-M6 x 18 (70-80 in. lb. torque)
72	222594	1	Kit-Cylinder/Piston
73	219084	1	Kit-Cyl(Plated)/Gasket
74	215542	1	Gasket-Cylinder
75	218264	1	Piston (Alum)
76	217475	1	Ring-Piston
77	111026	2	Ring-Snap
78	218275	1	Pin-Wrist
79	213179	4	Screw-M5 x 28.5 (35-40 in. lb. torque)
80	215541	1	Grommet
81	218185	1	Crankcase Assembly
82	213191	4	Pin
83	215545	1	Gasket-Crankcase
84	110984	1	Bearing-Piston Pin
85	102164	1	Key-Flywheel
86	213282	2	Bearing-C' Shaft (Roller)
87	218106-01	1	Crankshaft/Con Rod Asy.
88	83859	2	Seal-Crankshaft

No
Diagram
Available

Parts List
Only

Ref #	Part Number	Qty	Description
	217355		Wrench 8/10mm
	216767		Lock-Spindle
	217585		Wrench-17mm
	215439		Tool-Piston Driving
	215441		Puller-Clutch
	215443		Plate-Pressure Intake
	215444		Gasket-Intake Plate
	215445		Gasket-Exhaust
	222785		Torx Drive T-25
	93770		Case of 48 6oz. Cans Lubricants McCulloch Two-Cycle Custom Lubricant
	85709		Case of 12 1qt. Bottles Lubricants McCulloch Two-Cycle Custom Lubricant