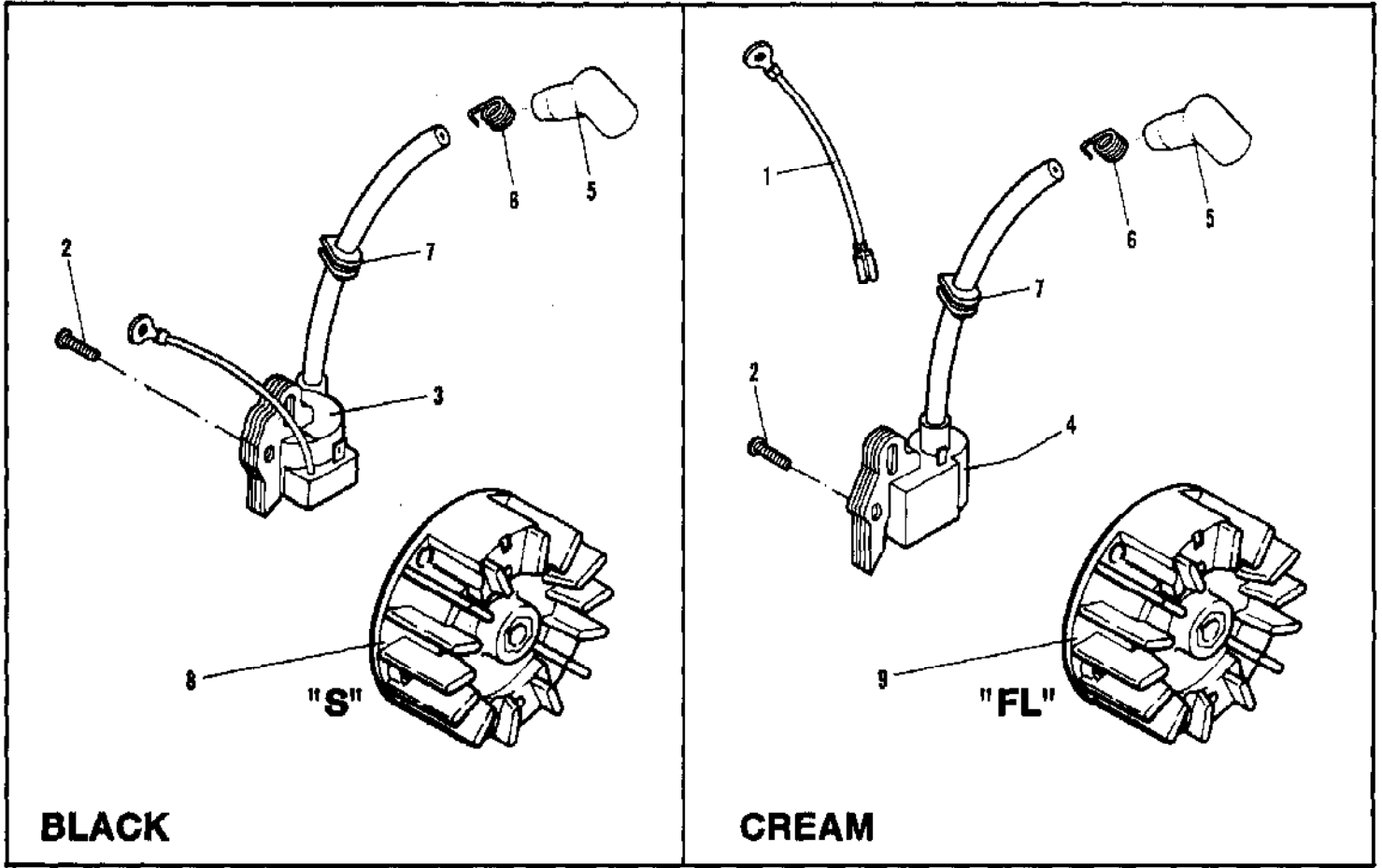
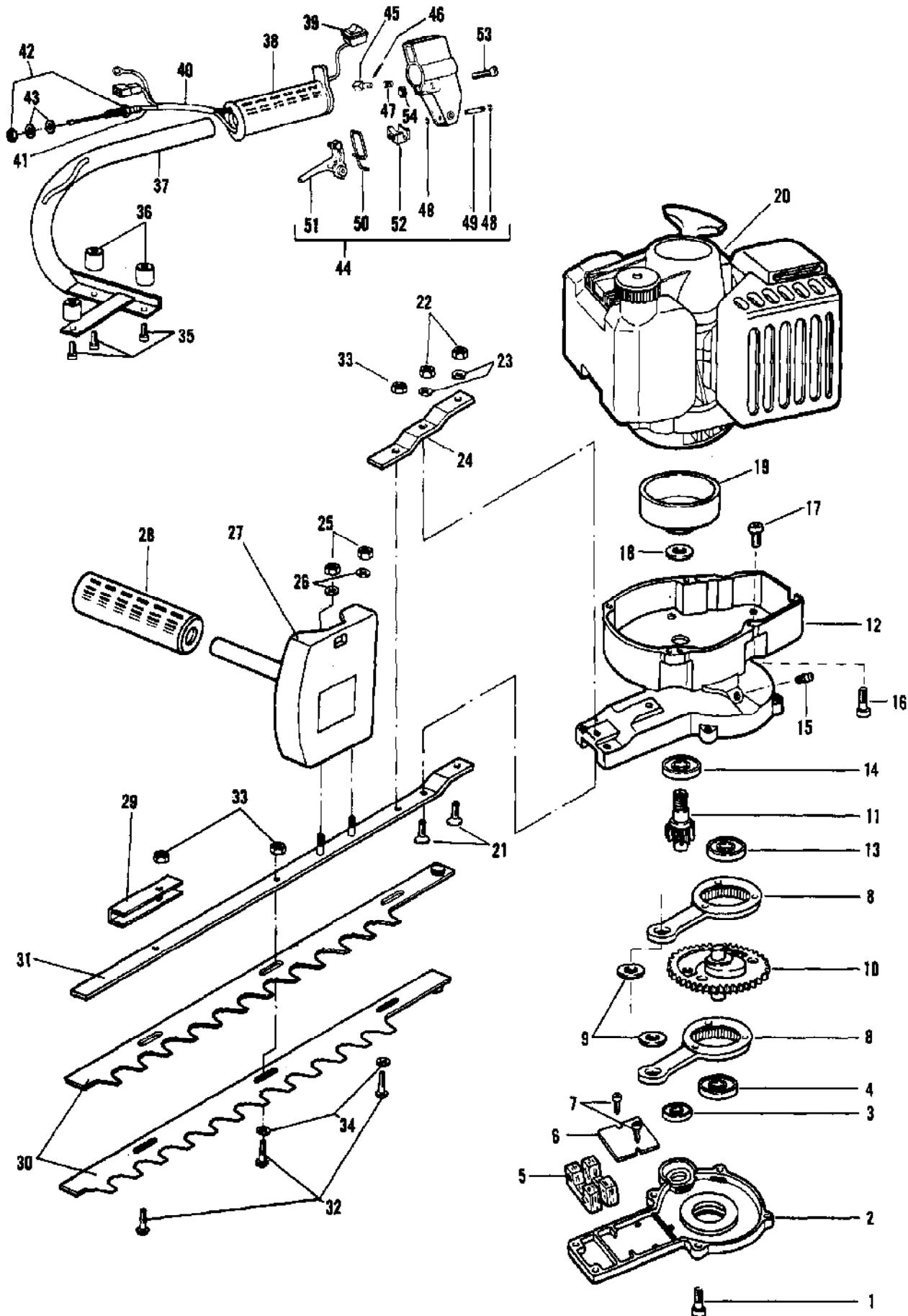


Ref #	Part Number	Qty	Description
	215494	1	Carburetor (WALBRO-146)
1		1	Screw - Cover Not available separately.
2		1	Cover - Diaphragm Not available separately.
3		1	Diaphragm - Metering Not available separately.
4		1	Gasket - Diaphragm Not available separately.
5		1	Screw - Circuit Plate Not available separately.
6		1	Plate - Circuit Not available separately.
7		1	Diaphragm - Circuit Plate Not available separately.
8		1	Gasket - Circuit Plate Not available separately.
9		1	Lever - Metering Not available separately.
10		1	Pin - Lever Not available separately.
11		1	Screw - Lever Pin Not available separately.
12		1	Spring - Lever Not available separately.
13		1	Valve - Inlet Needle Not available separately.
14		1	Spring - High Speed Not available separately.
15		1	Needle - High Speed Not available separately.
16		1	Spring - Idle Needle Not available separately.
17		1	Needle - Idle Not available separately.
18		1	Spring - Throttle Return Not available separately.
19		1	Shaft - Throttle Not available separately.
20		1	Clip Not available separately.
21		1	Swivel Not available separately.
22		1	Clip - Throttle Shaft Not available separately.
23		1	Valve - Throttle Not available separately.
24		1	Screw - Throttle Valve Not available separately.
25		1	Screen - Inlet Not available separately.
26		1	Diaphragm - Fuel Pump Not available separately.
27		1	Gasket - Fuel Pump Not available separately.
28	222950	1	Cover - Fuel Pump
29		1	Screw - Pump Cover Not available separately.
30		1	Spring - Idle Screw Not available separately.
31		1	Screw - Idle Adjusting Not available separately.

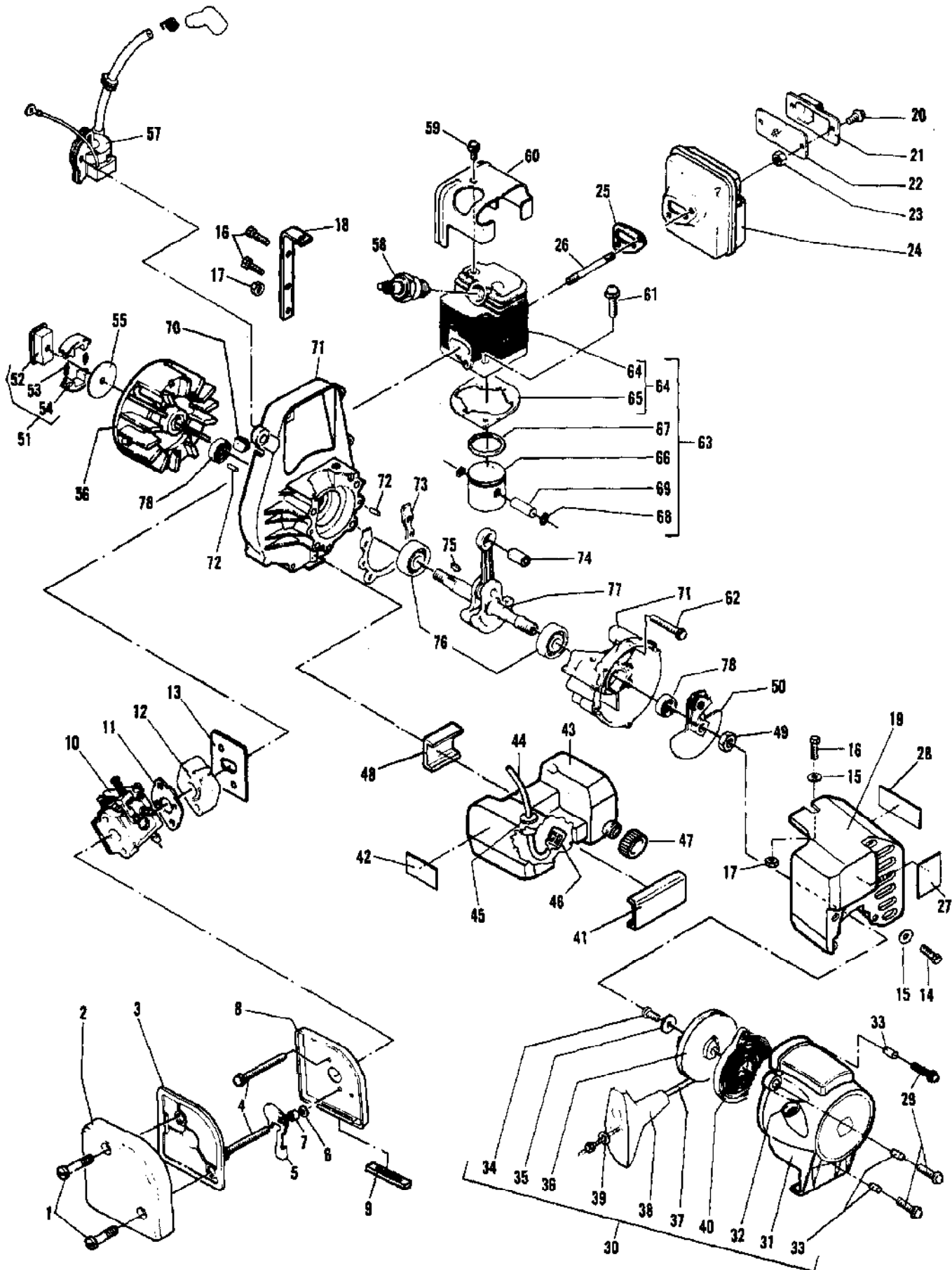


Ref #	Part Number	Qty	Description
1	219383	2	Wire - Switch
2	216022	2	Screw - M4 x 23.4 (12-16 in. lb. torque)
3	219386	1	Ignition Assembly (Black)
4	219848	1	Ignition Assembly (Cream)
5	95266	1	Boot - Spark Plug
6	102556	1	Connector
7	215533-01	1	Grommet
8	222430	1	Flywheel (Stamped "S")
9	222308	1	Flywheel (Stamped "FL")



Ref #	Part Number	Qty	Description
1	229077	6	Screw - M5 x 18
2	229078	1	Cover - Gear Box
3	219810	1	Bearing - Ball 608-2z
4	228958	1	Bearing - Ball 6000-2z
5	228921	2	Dust Protector - Felt
6	228891	1	Plate - Gear
7	228945	2	Screw - M3 x 5
8	228761	2	Rod - Connecting
9	228728	2	Washer
10	228804	1	Gear
11	228806	1	Pinion
12	229079	1	Box - Gear
13	228958	1	Bearing - Ball
14	235897	1	Bearing - Ball
15	228861	1	Nipple - Grease
16	235801	4	Screw - M4 x 16
17	236389	3	Screw
18	235164	1	Washer
19	228888	1	Drum
20		1	Powerhead Assembly See "Powerhead Assembly" Illustration And Parts List.
21	228924	2	Screw - M5 x 20
22	222247	2	Nut - M5
23	236529	2	Washer
24	228757	1	Plate - Blade
25	228926	2	Nut
26	236934	2	Washer
27	223120	1	Handle Assembly
28	235895	1	Grip
29	228758	1	Blade - Protection
30	228917	1	Blade Set - 24"
	219436	1	Blade Set - 30"
31	228875	1	Guide - Blade - 24"
	219437	1	Guide - Blade - 30"
32	22892	3-5	Screw - M6 x 20
33	228926	3-5	Nut
34	236934	2-4	Washer
35	236512	3	Screw
36	235987	3	Mount - Rear
37	228897	1	Handle
38	235894	1	Grip
39	236394	1	Switch
40	228900	1	Cable Assembly - Throttle
41		1	Cable - Throttle Not available separately.
42	229207	1	Nut M6 x .75
43	216596	2	Washer - Flat M6
44	229081	1	Trigger Box Assembly
45	235892	1	Button
46	235923	1	Pin
47	235933	1	Spring
48	235811	2	Clip - C
49	235934	1	Pin
50	235932	1	Spring
51	236616	1	Trigger
52	235893	1	Guide - Wire

Ref #	Part Number	Qty	Description
53	235921	1	Screw
54	215871	1	Nut M6 x 1.0



Ref #	Part Number	Qty	Description
1	217669	2	Screw M4 x 25 TORX S (6-9 Inch Pound Torque).
2	223118	1	Cover Air Cleaner
3	217376	1	Filter - Air
4	216903	2	Screw - M5 x 69 TORX (18-25 in. lb. torque).
5	215991	1	Shutter - Choke
6	216591	2	Washer - Flat M5
7	215993	1	Spacer - Shutter
8	216108	1	Air Box/Grommet Asy
9	215992	1	Grommet Choke
10		1	Carburetor Assembly See "Carburetor Assembly" Illustration And Parts List.
11	218933	1	Gasket - Carburetor
12	219070	1	Insulator - Carb/Cylinder
13	216575	1	Gasket - Insulator/Cylinder
14	228908	1	Screw - M4 x 14 (20-25 in. lb. torque).
15	235612	2	Washer
16	215874	3	Screw - M4 x 9. 5 TORX
17	235431	2	Nut
18	228884	1	Plate - Muffler Shield
19	223119	1	Shield - Muffler
20	216025	2	Screw - M4 x 8 TORX SEM (13-17 in. lb. torque).
21	217318	1	Cover - Screen
22	215516	1	Screen - Spark Arrestor
23	222247	2	Nut - Flange M5 (41-50 in. lb. torque).
24	215506	1	Muffler Assembly
25	215515	1	Gasket - Muffler
26	222480	2	Stud - Muffler (41-50 in. lb. torque).
27	222541	1	Decal - Starting Instruct.
28	222506	1	Decal - Storing Instruct.
29	217669	3	Screw - M4 x 25 (12-16 in. lb. torque).
30	219590	1	Starter Assembly
31	219588	1	Housing Starter
32	218932	1	Guide Rope
33	219585	3	Spacer - Housing
34	215874	1	Screw - Drum
35	216590	1	Washer - Flat M4
36	216092	1	Drum - Rope Assembly
37	216093	1	Rope Starter
38	216792	1	Handle - Starter
39	218941	1	Washer - Nylon
40	217482	1	Spring - Starter
41	217382	1	Cushion - Starter/Fuel Tank
42	217383	1	Decal - 40:1
43	228858	1	Fuel Tank Assembly
44	223246	1	Hose - Fuel
45	236321	1	Grommet
46	216985	1	Pickup - Fuel
47	222347-01	1	Cap - Fuel Tank
48	217390	1	Cushion - C'Case/Fuel Tank
49	216583	1	Nut - Starter Ratchet (149-176 in. lb. torque).
50	215525	1	Ratchet
51	216060	1	Clutch Assembly
52	215536	1	Rotor
53	215537	2	Spring
54		2	Shoe Not available separately.

Ref #	Part Number	Qty	Description
55	215539	1	Plate
56		1	Flywheel Assemblies See "Flywheel Assemblies" Illustration And Parts List.
57		1	Ignition Assemblies See "Ignition Assemblies" Illustration And Parts List.
58	62345	1	Plug - Spark
59	213178	1	Screw - M5 x 8. 5 SEMS T (15-25 in. lb. torque).
60	215540	1	Cover - Cylinder
61	217320	2	Screw - M6 x 18 TORX SE
62	213179	4	Screw - M5 x 28. 5 TORX (35-40 in. lb. torque).
63	222594	1	Cylinder/Piston Kit
64	219084	1	Cyl. (Plated)/Gasket Kit
65	215542	1	Gasket
66	218264	1	Piston (Alum)
67	217475	1	Ring - Piston
68	111026	2	Ring - Retaining
69	218275	1	Pin - Wrist
70	215541	1	Grommet
71	218185	1	Crankcase Assembly
72	213191	4	Pin
73	215545	1	Gasket - Crankcase
74	110984	1	Bearing - Needle Roller
75	102164	1	Key - Flywheel
76	213282	2	Bearing - Roller
77	218106-01	1	Crankshaft Assembly
78	83859	2	Seal - Oil

No
Diagram
Available

Parts List
Only

Ref #	Part Number	Qty	Description
	226004		Clutch Drum
	226005		Pinion Shaft
	215439		Piston Pin
	215441		Clutch Puller
	215443		Plate - Pressure Intake
	215444		Plate/Gasket - Intake
	215445		Gasket - Exhaust
	222785		T-25 TORX Drive (Cylinder)