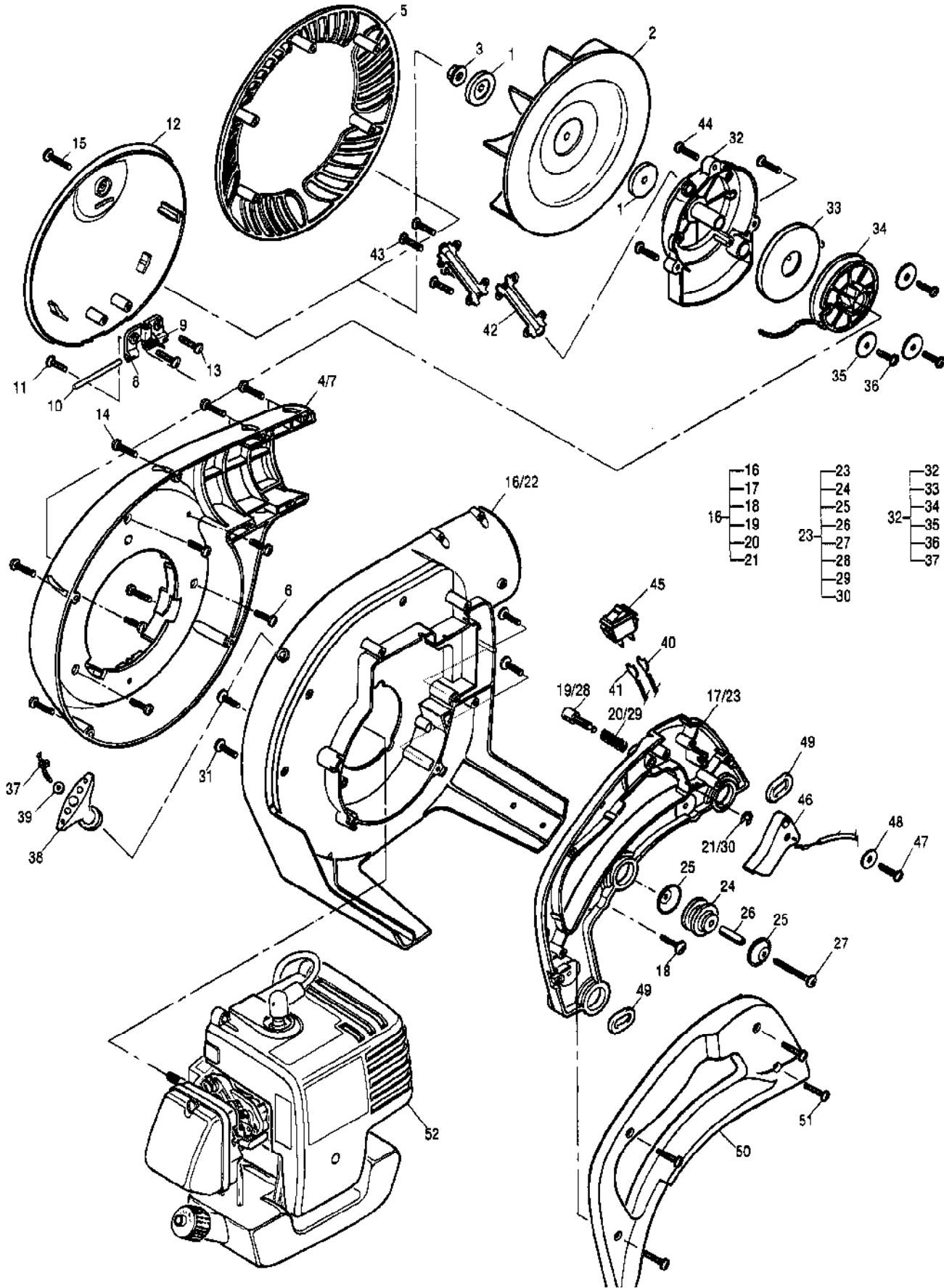


| Ref # | Part Number | Qty | Description |
|-------|-------------|-----|-------------------------------|
| 1 | 219173-02 | 1 | Tube, Blower |
| 2 | 324054 | 1 | Nozzle, Fishtail |
| 3 | 302433 | 1 | Kit, Vacuum |
| 4 | 223798 | 1 | Tube, Suction |
| 5 | 223799 | 1 | Tube, Outer |
| 6 | 322423 | 1 | Tube, Blower 90 deg |
| 7 | 218660-02 | 1 | Blower Bag Asy |
| 8 | 219881 | 2 | Screw, 10-24 x .62 Tr HD Torx |
| 9 | 224708 | 1 | Side Handle Asy |
| 10 | 218005 | 2 | Nut, Square 10-24 |
| 11 | 300292 | 2 | Retainer, Nut |
| 12 | 218666 | 1 | Harness |

| Ref # | Part Number | Qty | Description |
|-------|-------------|-----|---|
| | 322410-01 | 1 | Carburetor - Zama C1U-M35A |
| 1 | | 1 | Strainer Not available separately |
| 2 | | 1 | Plug, Welch Not available separately |
| 3 | | 1 | Retainer, Prime Not available separately |
| 4 | | 1 | Nozzle Asy, Check Valve Not available separately |
| 5 | | 1 | Shaft Asy, Throttle Not available separately |
| 6 | | 1 | Lever, Throttle Not available separately |
| 7 | | 1 | Spring, Throttle Return Not available separately |
| 8 | | 1 | Valve, Throttle Not available separately |
| 9 | | 1 | Diaphragm Asy, Metering Not available separately |
| 10 | | 1 | Diaphragm, Pump Not available separately |
| 11 | | 1 | Gasket, Metering Chamber Not available separately |
| 12 | | 1 | Gasket, Pump Not available separately |
| 13 | | 1 | Cover, Pump Not available separately |
| 14 | | 1 | Valve, Inlet Needle Not available separately |
| 15 | | 1 | Spring, Metering Lever Not available separately |
| 16 | | 1 | Lever, Metering Not available separately |
| 17 | | 1 | Pin Not available separately |
| 18 | | 1 | Screw, Throttle Adjust Not available separately |
| 19 | | 1 | Spring, Friction Not available separately |
| 20 | | 1 | Shaft Asy, Choke Not available separately |
| 21 | | 1 | Valve, Choke Not available separately |
| 22 | | 1 | Collar Not available separately |
| 23 | | 1 | Base Asy, Primer Not available separately |
| 24 | | | UNKNOWN |
| 24A | 223756 | 1 | Primer Bulb |
| 25 | | 1 | Screw, Pin Not available separately |
| 26 | | 1 | Screw, Throttle Valve Not available separately |
| 27 | | 2 | Screw, Metering Cover Not available separately |
| 28 | | 2 | Screw, Pump Cover Not available separately |
| 29 | | 1 | Screw, Throttle Lever Not available separately |
| 30 | | 1 | Ball, Steel Not available separately |
| 31 | | 2 | Screw, Retainer Not available separately |
| 32 | | 1 | Spring, Adjust Screw Not available separately |
| 33 | | 1 | Washer, Limiter Not available separately |
| 34 | | 1 | Screw, Hi Speed Not available separately |
| 35 | | 1 | Screw, Low Speed Not available separately |
| 36 | | 1 | Limiter Cap, High Not available separately |
| 37 | | 1 | Limiter Cap, Low Not available separately |
| 38 | | 1 | Retainer, Limiter Not available separately |



| Ref # | Part Number | Qty | Description |
|-------|-------------|-----|--|
| 1 | 218655 | 2 | Disc Drive |
| 2 | 322431 | 1 | Impellar, Blower |
| 2 | 322433 | 1 | Impellar, Blower/Vac |
| 3 | 110961 | 1 | Nut, Hx 5/16-24 Torque 60-80 in. lbs. |
| 4 | 322402-60 | 1 | Outer Housing (Yellow) |
| 4 | 322402-63 | 1 | Outer Housing (Grey) |
| 5 | 323780-60 | 1 | Cover, Impellar (Yellow) |
| 5 | 323780-63 | 1 | Cover, Impellar (Grey) |
| 6 | 300294 | 5 | Screw, 8-16 x .75 Tr Hd Plastite |
| 7 | 323781-60 | 1 | Outer Housing, Blo/Vac (Yellow) |
| 7 | 323781-63 | 1 | Outer Housing, Blo/Vac (Grey) |
| 8 | 322411 | 1 | Hinge |
| 9 | 322438 | 1 | Spring, Torsional |
| 10 | 218538 | 1 | Pin, Cover |
| 11 | 111055 | 1 | Screw, 10-14 x .625 Plastite Torque 15-20 in. lbs. |
| 12 | 322401-60 | 1 | Cover, Fan (Yellow) |
| 12 | 322401-63 | 1 | Cover, Fan (Grey) |
| 13 | 300294 | 2 | Screw, 8-16 x .75 Tr Hd Plastite |
| 14 | 300294 | 8 | Screw, 8-16 x .75 Tr Hd Plastite Torque 15-20 in. lbs. |
| 15 | 111203 | 1 | Screw, 10-24 x .875 Taptite Torque 15-20 in. lbs. |
| 16 | 224709 | 1 | Kit, Inner Housing, Non-AV |
| 17 | 322406-61 | 1 | Handle, Left |
| 18 | 218644 | 3 | Screw, 10-14 x .75 Tr Torx Torque 15-20 in. lbs. |
| 19 | 322408 | 1 | Lock, Throttle |
| 20 | 322430 | 1 | Spring, Compression |
| 21 | 111195 | 1 | Ring, Retaining |
| 22 | 302060 | 1 | Inner Housing Asy, AV |
| 23 | 322412-61 | 1 | Left Handle, AV |
| 24 | 322399 | 3 | Isolator Rubber |
| 25 | 322398-90 | 6 | Washer, Isolator |
| 26 | 322175 | 3 | Spacer, .21 ID x 1.00 Long |
| 27 | 111093 | 3 | Screw, 10-24 x 1.75 Tr Hd Torx Torque 30-40 in. lbs. |
| 28 | 322408 | 1 | Throttle Lock |
| 29 | 322430 | 1 | Spring, Compression |
| 30 | 111195 | 1 | Ring, Retaining |
| 31 | 111067 | 4 | Screw, 10-24 x .63 SI Torx Tp Torque 30-35 in. lbs. |
| 32 | 224710 | 1 | Kit, Starter Housing Asy |
| 33 | 300475 | 1 | Spring/Starter Rewind |
| 34 | 300872 | 1 | Pulley, Starter |
| 35 | 322176 | 3 | Washer, .2 ID x 7/8 in. OD |
| 36 | 300294 | 3 | Screw, 8-16 x .75 Tr Hd Plastite Torque 15-20 in. lbs. |
| 37 | 323131 | 1 | Rope, Starter |
| 38 | 216792 | 1 | Handle Starter |
| 39 | 218941 | 1 | Washer, Nylon |
| 40 | 302057 | 1 | Wire Asy, Ground |
| 41 | 302058 | 1 | Wire Asy, Stop Switch |
| 42 | 322435 | 2 | Cover, Rope |
| 43 | 300294 | 4 | Screw, 8-16 x .75 Tr Hd Plastite Torque 15-20 in. lbs. |
| 44 | 300294 | 3 | Screw, 8-16 x .75 Tr Hd Plastite Torque 15-20 in. lbs. |
| 45 | 223241 | 1 | Momentary Switch |
| 46 | 322407 | 1 | Throttle Trigger |
| 47 | 300294 | 1 | Screw, 8-16 x .75 Tr Hd Plastite Torque 15-20 in. lbs. |
| 48 | 300297 | 1 | Washer, .19 ID x .68 OD |
| 49 | 218667 | 2 | Harness Link |
| 50 | 322405-61 | 1 | Handle, Right |

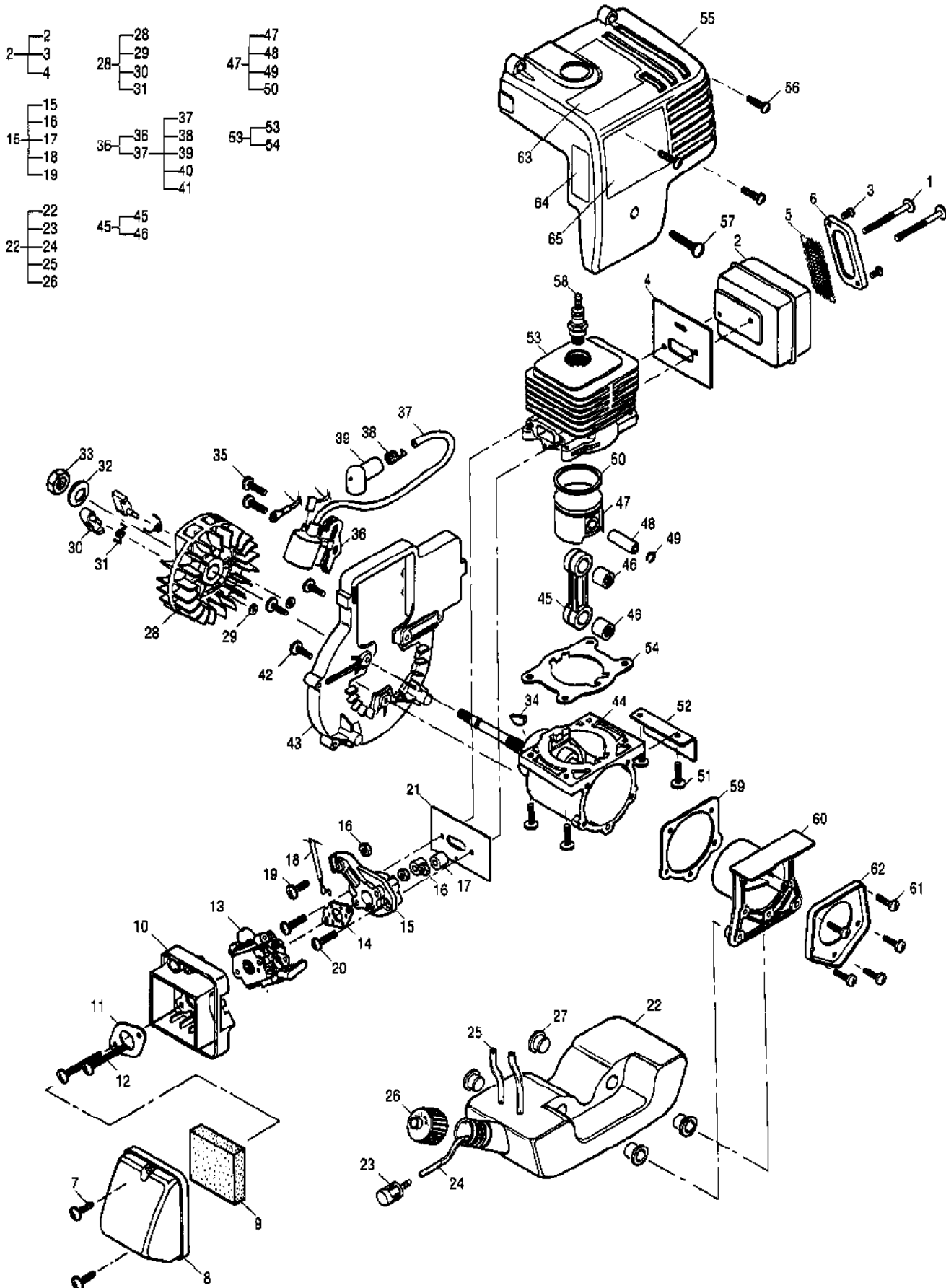
| Ref # | Part Number | Qty | Description |
|-------|-------------|-----|--|
| 51 | 300294 | 4 | Screw, 8-16 x .75 Tr Hd Plastite Torque 15-20 in. lbs. |
| 52 | | 1 | Powerhead Asy See "Powerhead Assembly" illustration and parts list. |

No
Diagram
Available

Parts List
Only

Loctite Kit

| Ref # | Part Number | Qty | Description |
|-----------|-------------|-----|----------------------------------|
| 322235-02 | 322235-02 | | Loctite Kit |
| 322236 | 322236 | | Retaining Compound 620 (10 ml) |
| 322237 | 322237 | | Thread Locker 242 (10 ml) |
| 322238 | 322238 | | Gasket Eliminator 518 (50 ml) |
| 322239-01 | 322239-01 | | Black Max 380 (3 ml) |
| 323749 | 323749 | | Thread Locker 262 (10 ml) |
| 323762 | 323762 | | Anti-Seize Lubricant 767 (30 ml) |



| Ref # | Part Number | Qty | Description |
|-------|-------------|-----|--|
| 1 | 111159 | 2 | Screw, 10-24 x 2.25 Taptite |
| 2 | 224707 | 1 | Kit, Muffler |
| 3 | | 2 | Screw Not available separately |
| 4 | 322420 | 1 | Plate, Muffler |
| 5 | 322413 | 1 | Screen, Spark Arrester |
| 6 | 322414-90 | 1 | Cover, Spark Arrester |
| 7 | 300294 | 2 | Screw, 8-16 x .75 Tr Hd Plastite |
| 8 | 322429-61 | 1 | Cover, Air Box |
| 9 | 224239 | 1 | Filter, Air |
| 10 | 322436-61 | 1 | Box, Air Filter |
| 11 | 322425-90 | 1 | Plate, Air Box |
| 12 | 218083 | 2 | Screw, 10-24 x 2 Torx |
| 13 | | | Carburetor Assembly See "Carburetor Assembly" illustration and parts list. |
| 14 | 218933 | 1 | Gasket, Carburetor |
| 15 | 322434 | 1 | Manifold, Carburetor |
| 16 | 218315 | 3 | Nut, 10-24 |
| 17 | 322188 | 2 | Spacer, Rubber |
| 18 | 322409 | 1 | Cable, Throttle |
| 19 | 219881 | 1 | Screw, 10-24 x .62 Tr Hd Torx |
| 20 | 111203 | 2 | Screw, 10-24 x .875 Taptite |
| 21 | 323912 | 1 | Gasket, Manifold |
| 22 | 302349 | 1 | Fuel Tank Asy |
| 23 | 93720 | 1 | Filter, Fuel |
| 24 | 225162 | 1 | Hose, Fuel |
| 25 | 225163 | 1 | Hose, Fuel Return |
| 26 | 223508 | 1 | Kit, Fuel Cap w/Retainer |
| 27 | 322105 | 4 | Isolator, Fuel Tank |
| 28 | 301352-01 | 1 | Flywheel Asy |
| 29 | 111086 | 2 | Retainer Ring |
| 30 | 322297 | 2 | Pawl, Starter |
| 31 | 322835 | 2 | Spring, Starter Pawl |
| 32 | 111205 | 1 | Washer, Conical Spring |
| 33 | 111085 | 1 | Nut, Hex |
| 34 | 102164 | 1 | Key, Flywheel |
| 35 | 111203 | 2 | Screw, 10-24 x .875 Taptite |
| 36 | 302138 | 1 | Ignition Asy |
| 37 | 223884 | 1 | Kit, Spark Plug Wire |
| 38 | 102556 | 1 | Connector, Spark |
| 39 | 95266 | 1 | Boot, Spark Plug |
| 40 | 215533-01 | 1 | Grommet, H/T Lead, Split |
| 41 | 110995 | 1 | Grommet, S/Plug Wire |
| 42 | 111067 | 3 | Screw, 10-24 x .63 |
| 43 | 322396 | 1 | Shroud, Engine |
| 44 | 300798 | 1 | C'case/C'shaft Asy |
| | | 1 | C'case Asy Not available separately |
| | | 1 | C'case, Machined Not available separately |
| | | 1 | Bearing 6202 Not available separately |
| | | 1 | Bearing 6202RS Not available separately |
| | | 1 | Seal Not available separately |
| | | 1 | Spacer Not available separately |
| | | 1 | O-ring Not available separately |
| 45 | 301982 | 1 | Connecting Rod Asy |
| 46 | 91117 | 2 | Bearing |
| 47 | 300661 | 1 | Kit, Piston, 28cc |

| Ref # | Part Number | Qty | Description |
|-------|-------------|-----|----------------------------------|
| 48 | 300482 | 1 | Piston Pin, C'shaft (10mm dia) |
| 49 | 215876 | 1 | Ring, Retaining |
| 50 | 224224 | 1 | Ring, Piston, 35mm |
| 47 | 300663 | 1 | Kit, Piston, 32cc |
| 48 | 300482 | 1 | Piston Pin, C'shaft (10mm dia) |
| 49 | 215876 | 1 | Ring, Retaining |
| 50 | 224217 | 1 | Ring, Piston |
| 51 | 111065 | 4 | Screw, 10-24 x .688 Tri Rnd |
| 52 | 322426-90 | 1 | Shield, Muffler |
| 53 | 224705 | 1 | Kit, Cylinder/Gasket, 28cc |
| 54 | 224022 | 1 | Gasket, Cylinder |
| 53 | 224706 | 1 | Kit, Cylinder/Gasket, 32cc |
| 54 | 224022 | 1 | Gasket, Cylinder |
| 55 | 322432-61 | 1 | Cover, Cylinder/Muffler |
| 56 | 300294 | 3 | Screw, 8-16 x .75 Tr Hd Plastite |
| 57 | 218644 | 1 | Screw, 10-14 x .75 Torx |
| 58 | 92879 | 1 | Spark Plug, RDJ8J |
| 59 | 224023 | 1 | Gasket, C'case |
| 60 | 224024-01 | 1 | Plug, C'case |
| 61 | 111065 | 5 | Screw, 10-24 x .688 Tri Rnd |
| 62 | 322437-90 | 1 | Plate, C'case |
| 63 | 46761-15 | 1 | Starting Instr, Eng/Fr |
| 63 | 46761-36 | 1 | Starting Instr, Eng/Sp |
| 64 | 46760-69 | 1 | Choke Label |
| 65 | 46761-16 | 1 | Decal, Warning, Tri |



111124



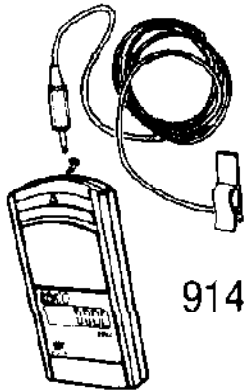
217720



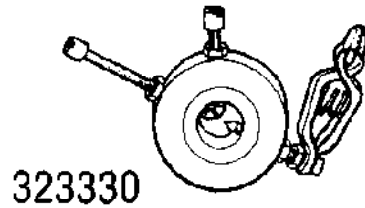
222785



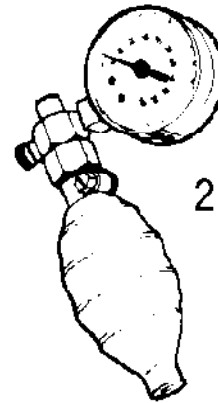
323754



91424



323330



215432-01

| Ref # | Part Number | Qty | Description |
|-----------|-------------|-----|---|
| 111124 | 111124 | | T-27 Torx Dr 3.5 in |
| 222785 | 222785 | | T-25 Torx dr 3.5 in |
| 323754 | 323754 | | Torx Dr Set of 6; Bit sizes - Tx 10, 15, 20, 25, 27, 30 |
| 323330 | 323330 | | Ignition Tester |
| 215432-01 | 215432-01 | | Pressure Test Tool |
| 91424 | 91424 | | Tachometer |
| 217720 | 217720 | | Torx Dr Set |