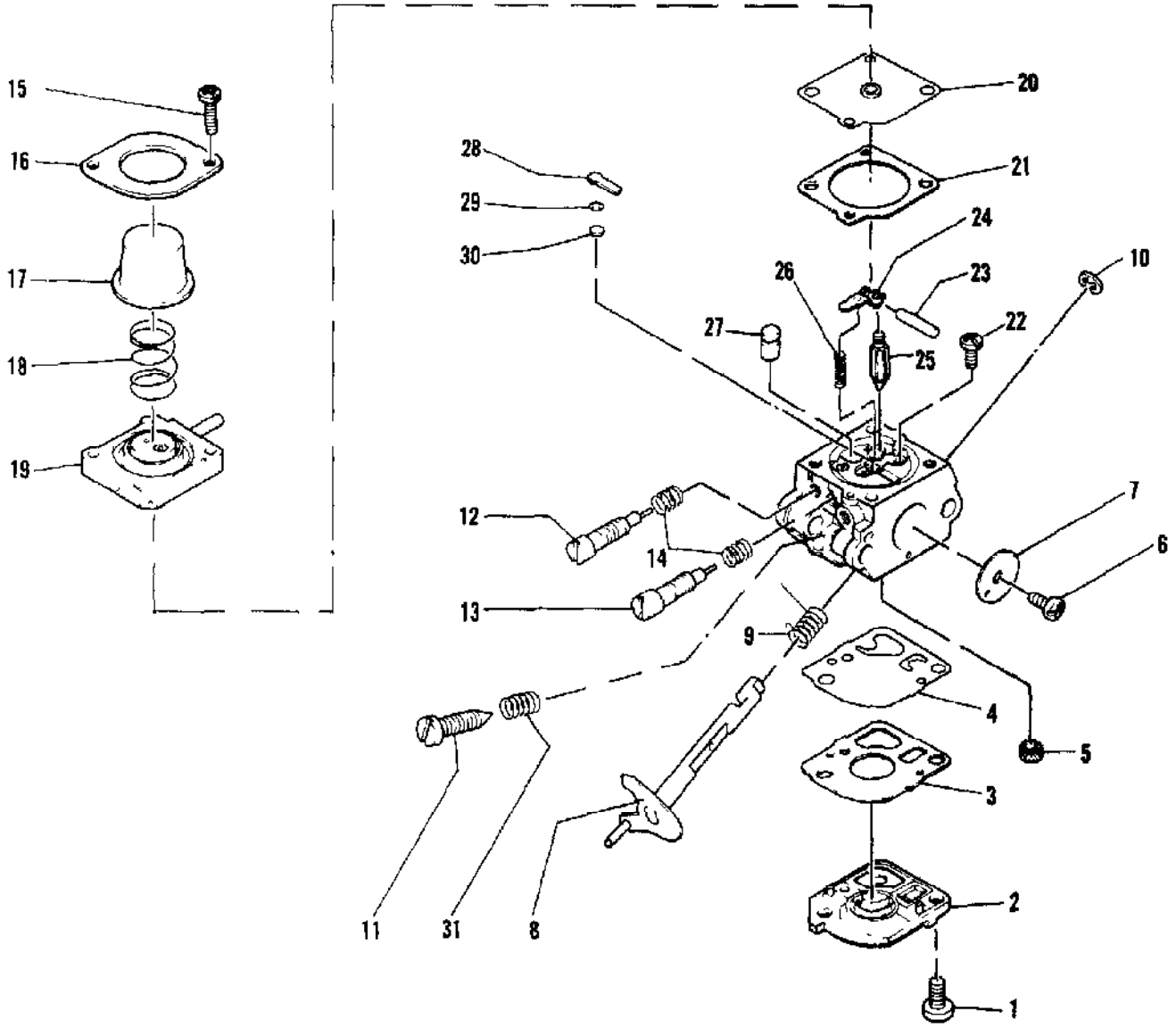
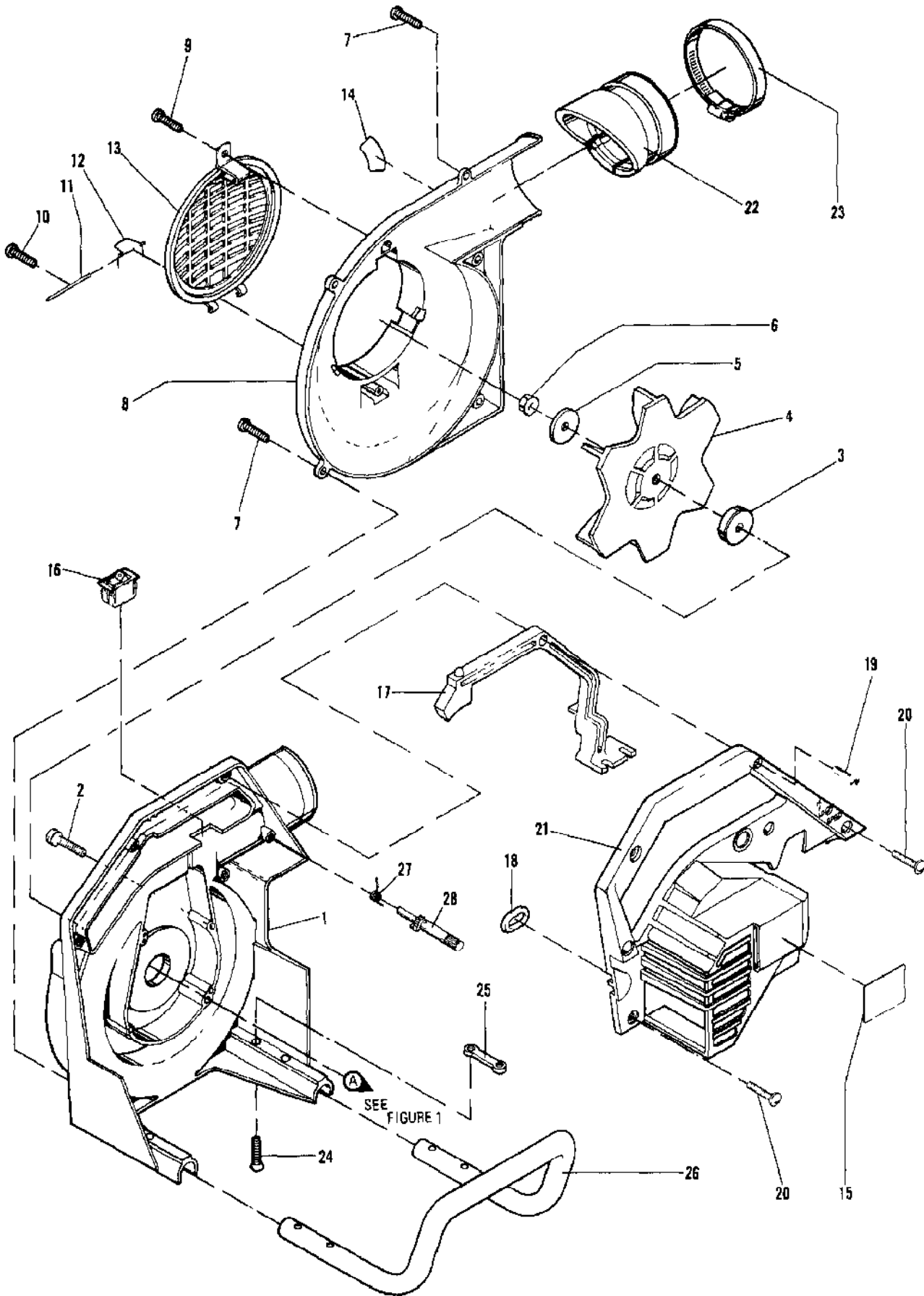


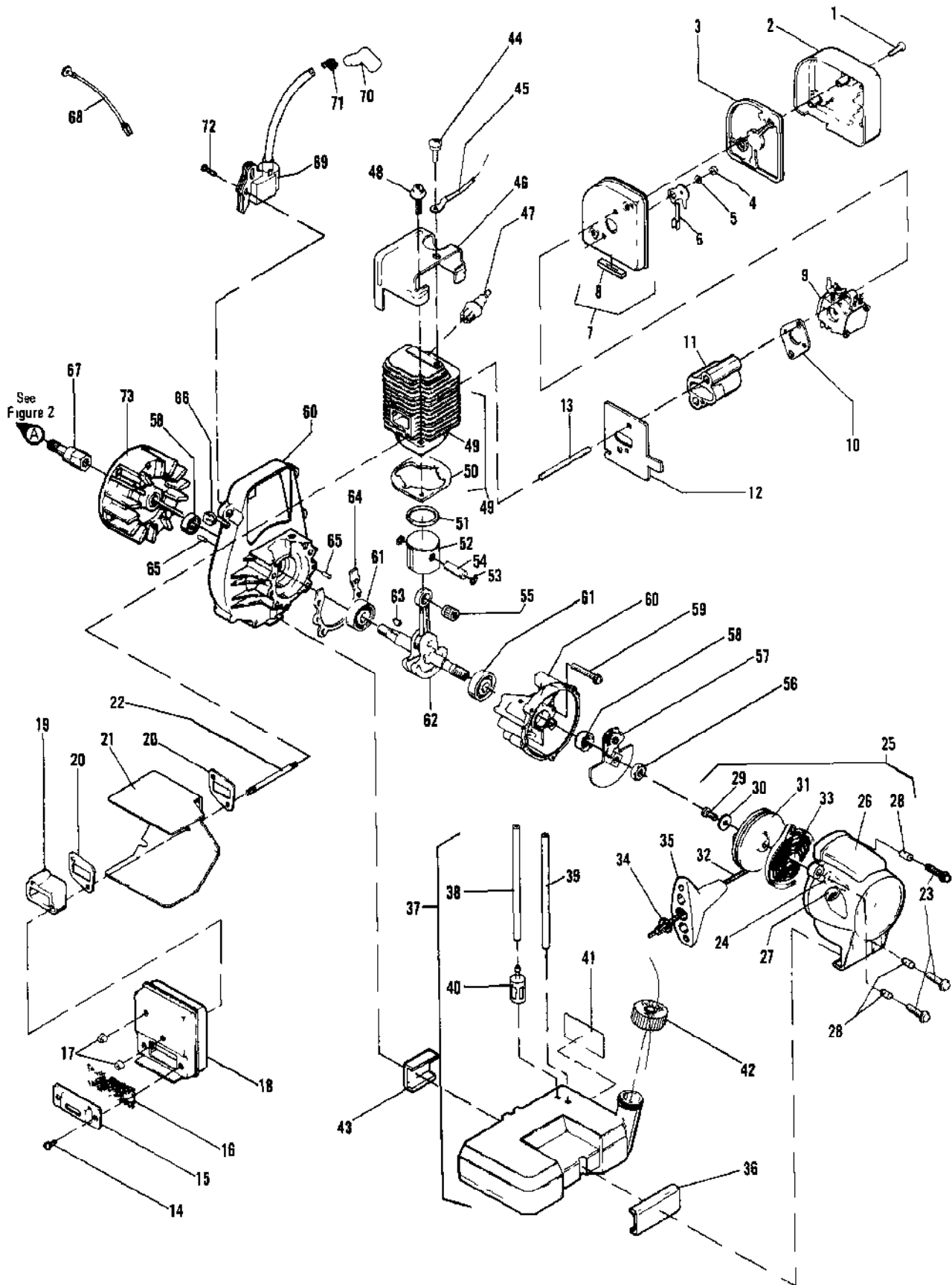
| Ref # | Part Number | Qty | Description |
|-------|-------------|-----|------------------------|
| | 218717 | 1 | Kit-Vacuum |
| 1 | 218947 | 4 | Screw-10-24 x 1.12 |
| 2 | 218117 | 2 | Plate-Nut |
| 3 | 218545 | 1 | Frame-Rear |
| 4 | 223575 | 1 | Vacuum Tube-Upper Sec. |
| 5 | 223576 | 1 | Vacuum Tube-Lower Sec. |
| 6 | 218660 | 1 | Bag Assembly |
| 7 | 218666 | 1 | Harness |
| 8 | 218938 | 1 | Hook-Snap |
| 9 | 219173-01 | 1 | Blower Tube-Straight |
| 10 | 219179 | 1 | Blower Nozzle-Curved |
| 11 | 218841 | 1 | Nozzle-Fishtail |



| Ref # | Part Number | Qty | Description |
|-------|-------------|-----|---|
| | 222937 | 1 | Carburetor-ZAMA M21 |
| 1 | | 2 | Screw-Pump Cover |
| 2 | | 1 | Cover-Pump Not available separately. |
| 3 | | 1 | Gasket-Pump Not available separately. |
| 4 | | 1 | Diaphragm-Pump Not available separately. |
| 5 | | 1 | Strainer Not available separately. |
| 6 | | 1 | Screw-Throttle Valve Not available separately. |
| 7 | | 1 | Valve-Throttle Not available separately. |
| 8 | | 1 | Shaft Asy-Throttle Not available separately. |
| 9 | | 1 | Spring-Throttle Return Not available separately. |
| 10 | | 1 | "E" Ring-Throttle Shaft Not available separately. |
| 11 | | 1 | Screw-Throttle Adjust. Not available separately. |
| 12 | | 1 | Screw-High Speed Not available separately. |
| 13 | | 1 | Screw-Low Speed Not available separately. |
| 14 | | 2 | Spring-Adjuster Screw Not available separately. |
| 15 | | 2 | Screw-Metering Cover Not available separately. |
| 16 | | 1 | Retainer-Primer Not available separately. |
| 17 | 223061 | 1 | Kit-Primer Bulb |
| 18 | | 1 | Spring-Primer Not available separately. |
| 19 | | 1 | Base Asy-Primer Not available separately. |
| 20 | | 1 | Diaphragm Asy-Metering Not available separately. |
| 21 | | 1 | Gasket-Metering Chamber Not available separately. |
| 22 | | 1 | Screw-Pin Retaining Not available separately. |
| 23 | | 1 | Pin-Metering Lever Not available separately. |
| 24 | | 1 | Lever-Metering Not available separately. |
| 25 | | 1 | Valve-Inlet Needle Not available separately. |
| 26 | | 1 | Spring-Metering Lever Not available separately. |
| 27 | | 1 | Nozzle Asy-Check Valve Not available separately. |
| 28 | | 1 | Plug-Welch Not available separately. |
| 29 | | 1 | Retainer-Check Valve Not available separately. |
| 30 | | 1 | Valve-Check Not available separately. |
| 31 | | 1 | Spring-Adj. Screw Not available separately. |



| Ref # | Part Number | Qty | Description |
|-------|-------------|-----|---|
| 1 | 219947 | 1 | Housing-Inner |
| 2 | 216022 | 4 | Screw-M4 x 23.4 (12-16 in. lb. torque) |
| 3 | 218655 | 1 | Disc-Drive |
| 4 | 218518 | 1 | Impeller |
| 5 | 218656 | 1 | Washer-Impeller |
| 6 | 216645 | 1 | Nut-HX Flange M8 (90-100 in. lb. torque) |
| 7 | 218644 | 10 | Screw - 10-14 x .75 (35-45 in. lb. torque) |
| 8 | 219178 | 1 | Housing-Outer Impeller |
| 9 | 216389 | 1 | Screw - 8-32 x .50 (20-25 in. lb. torque) |
| 10 | 218643 | 1 | Screw - 8-16 x .50 (20-25 in. lb. torque) |
| 11 | 218538 | 1 | Pin-Cover |
| 12 | 218539 | 1 | Spring-Cover |
| 13 | 218939 | 1 | Cover-Inlet |
| 14 | 218852 | 1 | Decal-Warning Inlet |
| 15 | 218797 | 1 | Decal-Warning |
| 16 | 223241 | 1 | Switch-Momentary |
| 17 | 219189 | 1 | Trigger |
| 18 | 218667 | 2 | Link-Harness |
| 19 | 219954 | 1 | Screw - 8-18 x .75 (34-45 in. lb. torque) |
| 20 | 218644 | 5 | Screw - 10-14 x .75 (35-45 in. lb. torque) |
| 21 | 219946 | 1 | Shroud-Engine |
| 22 | 219174 | 1 | Adapter-Tube |
| 23 | 219172 | 1 | Clamp-Adaptor |
| 24 | 218947 | 4 | Screw - 10-24 x 1.12 (35-45 in. lb. torque) |
| 25 | 218117 | 2 | Plate-Nut |
| 26 | 218545 | 1 | Frame |
| 27 | 219187 | 1 | Spring-Throttle Lock |
| 28 | 219188 | 1 | Activator-Throttle Lock |



| Ref # | Part Number | Qty | Description |
|-------|-------------|-----|--|
| 1 | 217669 | 2 | Screw-M4 x 25 (6-9 in. lb. torque) |
| 2 | 215988 | 1 | Cover-Air Cleaner |
| 3 | 217376 | 1 | Filter Assembly-Air |
| 4 | 222247 | 4 | Nut-Stud |
| 5 | 215993 | 1 | Spacer-Shutter |
| 6 | 215991 | 1 | Shutter-Choke |
| 7 | 216108 | 1 | Air Box/Grommet Assembly |
| 8 | 215992 | 1 | Grommet-Choke |
| 9 | | | Carburetor Assembly See "Carburetor Assembly" illustration and parts list. |
| 10 | 218933 | 1 | Gasket-Spacer |
| 11 | 219171 | 1 | Insulator-Carburetor |
| 12 | 218918 | 1 | Gasket/Shield Insulator |
| 13 | 222481 | 2 | Stud-M5 x 79 |
| 14 | 216025 | 2 | Screw-M4 x 8 (13-17 in. lb. torque) |
| 15 | 218553 | 1 | Outlet-Muffler |
| 16 | 215516 | 1 | Screen-Spark Arrestor |
| 17 | 222247 | 2 | Nut-M5 (32-51 in. lb. torque) |
| 18 | 218651 | 1 | Muffler Assembly |
| 19 | 218632 | 1 | Spacer-Muffler |
| 20 | 218920 | 2 | Gasket-Muffler |
| 21 | 218652 | 1 | Shield-Muffler |
| 22 | 222481 | 4 | Stud-Muffler (40-51 in. lb. torque) |
| 23 | 213177 | 3 | Screw-M4.2 x 18.5 (12-16 in. lb. torque) |
| 24 | 217672 | 3 | Washer-M4 Flat |
| 25 | 219590 | 1 | Starter Assembly |
| 26 | 223331 | 1 | Housing-Starter |
| 27 | 218932 | 1 | Guide-Rope |
| 28 | 219585 | 3 | Spacer-Housing |
| 29 | 215874 | 1 | Screw-M4 x 9.5 (17-22 in. lb. torque) |
| 30 | 216590 | 1 | Washer-M4 Flat |
| 31 | 216092 | 1 | Drum/Rope Assembly |
| 32 | 216093 | 1 | Rope (36") |
| 33 | 217482 | 1 | Spring-Starter |
| 34 | 218941 | 1 | Washer-Nylon |
| 35 | 216792 | 1 | Handle-Starter |
| 36 | 217382 | 1 | Cushion-Fuel Tank |
| 37 | 219901 | 1 | Tank Assembly-Hose |
| 38 | 219899 | 1 | Hose-Fuel (Inlet) |
| 39 | 219897 | 1 | Hose-Fuel (Return) |
| 40 | 216985 | 1 | Pickup-Fuel |
| 41 | 217383 | 1 | Decal-40:1 |
| 42 | 222347-01 | 1 | Cap-Fuel |
| 43 | 217390 | 1 | Cushion-Fuel Tank |
| 44 | 213178 | 1 | Screw-M5 x 8.5 SEMS (15-25 in. lb. torque) |
| 45 | 218649 | 1 | Terminal Assembly-Ground |
| 46 | 218580 | 1 | Cover-Cylinder |
| 47 | 62345 | 1 | Plug-Spark DJSJ (109-135 in. lb. torque) |
| 48 | 217320 | 2 | Screw-M6 x 18 (72-83 in. lb. torque) |
| 49 | 219084 | 1 | Kit-Cyl(Plated)/Gasket |
| 50 | 215542 | 1 | Gasket |
| 51 | 217475 | 1 | Ring-Piston |
| 52 | 218264 | 1 | Piston (Alum) |
| 53 | 111026 | 2 | Ring-Snap |
| 54 | 218275 | 1 | Pin-Wrist |

| Ref # | Part Number | Qty | Description |
|-------|-------------|-----|---|
| 55 | 110984 | 1 | Bearing-Needle |
| 56 | 216583 | 1 | Nut-Hex M8 (156-171 in. lb. torque) |
| 57 | 215525 | 1 | Ratchet Assembly (Hand Tighten Only) |
| 58 | 216500 | 2 | Seal-Oil |
| 59 | 213179 | 4 | Screw-M5 x 28.5 TORX (35-42 in. lb. torque) |
| 60 | 217373 | 1 | Crankcase Assembly-Mach |
| 61 | 216143 | 2 | Bearing-Ball |
| 62 | 222960 | 1 | Crankshaft Assembly |
| 63 | 102164 | 1 | Key-Flywheel |
| 64 | 215545 | 1 | Gasket-Crankcase |
| 65 | 213191 | 4 | Pin |
| 66 | 215541 | 1 | Grommet |
| 67 | 218654 | 1 | Extension-Shaft (150-168 in. lb. torque) |
| 68 | 223609 | 1 | Wire Assembly-Switch |
| 69 | 219848 | 1 | Ignition Assembly (Cream) |
| 70 | 95266 | 1 | Boot-Sparkplug |
| 71 | 102556 | 1 | Connector |
| 72 | 216022 | 2 | Screw-4 x 23.4 |
| 73 | 222308 | 1 | Flywheel |

No
Diagram
Available

Parts List
Only

| Ref # | Part Number | Qty | Description |
|-------|-------------|-----|----------------------------|
| | 215439 | | Tool-Piston Driving |
| | 215441 | | Puller-Clutch |
| | 215443 | | Plate-Pressure (Intake) |
| | 215444 | | Gasket-Intake |
| | 215445 | | Gasket-Exhaust |
| | 222785 | | Torx Drive T-25 (Cylinder) |
| | 215432 | | Tool Pressure Test |