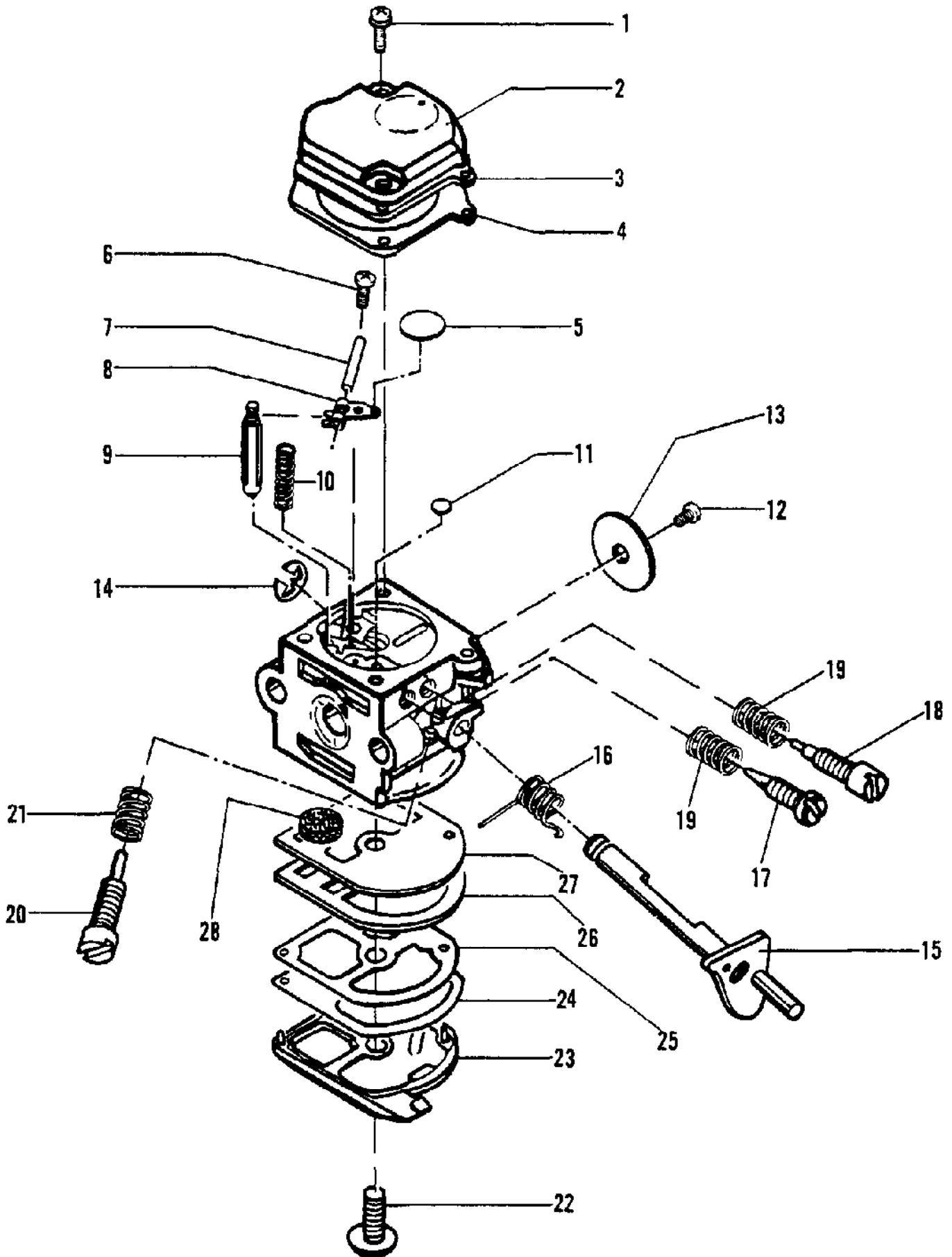
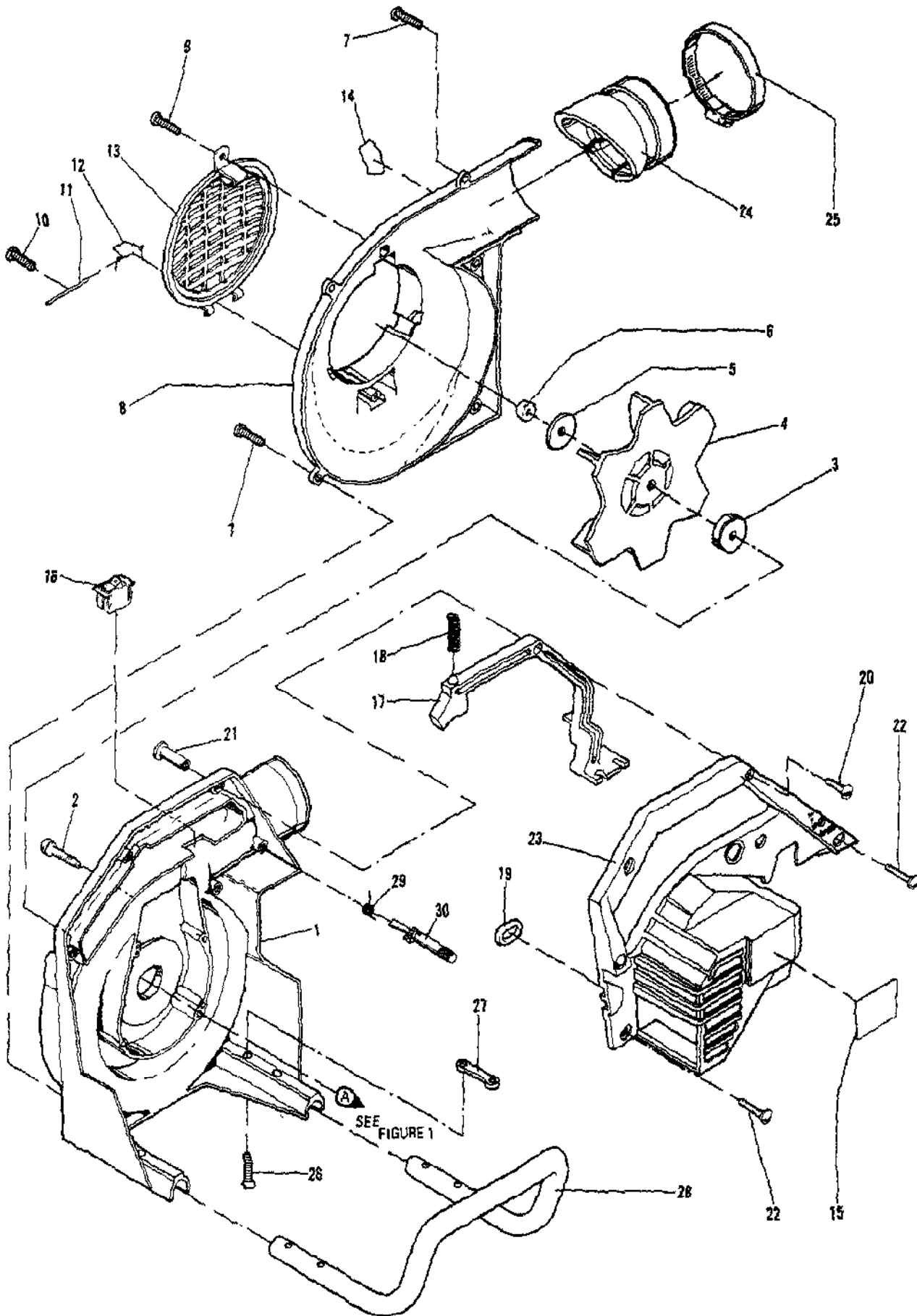


Ref #	Part Number	Qty	Description
	218717	1	Kit-Vacuum
1	218947	4	Screw-10-24 x 1.12 (Torque 35-45 in. lb.)
2	218117	2	Plate-Nut
3	218545	1	Frame
4	219176	1	Vacuum Tube-Upper Section
5	218684	1	Vacuum Tube-Lower Section
6	218660	1	Bag Assembly
7	218666	1	Harness
8	218938	1	Hook-Snap
9	219173-01	1	Blower Tube-Straight
10	219179	1	Blower Nozzle-Curved
11	218841	1	Nozzle-Fishtail



Ref #	Part Number	Qty	Description
	218647		
1		1	Zama M-12
		2	Screw Not available separately. Contained in minor repair kit P/N 219106. Contained in major repair kit P/N 219107
2		1	Cover - Diaphragm Not available separately.
3		1	Diaphragm - Main Not available separately. Contained in minor repair kit P/N 219106. Contained in major repair kit P/N 219107
4		1	Gasket - Main Not available separately. Contained in minor repair kit P/N 219106. Contained in major repair kit P/N 219107
5		1	Disc Not available separately. Contained in minor repair kit P/N 219106. Contained in major repair kit P/N 219107
6		1	Screw - Pin Not available separately. Contained in minor repair kit P/N 219106. Contained in major repair kit P/N 219107
7		1	Pin - Arm Not available separately. Contained in minor repair kit P/N 219106. Contained in major repair kit P/N 219107
8		1	Arm - Needle Valve Not available separately. Contained in minor repair kit P/N 219106. Contained in major repair kit P/N 219107
9		1	Valve - Needle Not available separately. Contained in minor repair kit P/N 219106. Contained in major repair kit P/N 219107
10		1	Spring - Arm Not available separately. Contained in minor repair kit P/N 219106. Contained in major repair kit P/N 219107
11		1	Plug - Welch Not available separately. Contained in minor repair kit P/N 219106. Contained in major repair kit P/N 219107
12		1	Screw - Throttle Valve Not available separately.
13		1	Valve - Throttle Not available separately.
14		1	E-Ring Not available separately. Contained in major repair kit P/N 219107
15		1	Shaft Asy. - Throttle Not available separately.
16		1	Spring - Throttle Return Not available separately.
17		1	Needle - High Speed Adj. Not available separately. Contained in major repair kit P/N 219107
18		1	Needle - Low Speed Adj. Not available separately. Contained in major repair kit P/N 219107
19		2	Spring - Needle Not available separately. Contained in major repair kit P/N 219107
20		1	Screw - Throttle Adj. Not available separately. Contained in major repair kit P/N 219107

Ref #	Part Number	Qty	Description
21		1	Spring - Throttle Adj. Screw Not available separately. Contained in major repair kit P/N 219107
22		1	Screw - Cover Not available separately. Contained in minor repair kit P/N 219106. Contained in major repair kit P/N 219107
23		1	Cover - Fuel Pump Not available separately.
24		1	Diaphragm - Surge Not available separately. Contained in minor repair kit P/N 219106. Contained in major repair kit P/N 219107
25		1	Gasket - Fuel Pump Not available separately. Contained in minor repair kit P/N 219106. Contained in major repair kit P/N 219107
26		1	Retainer - Fuel Pump Not available separately. Contained in minor repair kit P/N 219106. Contained in major repair kit P/N 219107
27		1	Diaphragm - Fuel Pump Not available separately. Contained in minor repair kit P/N 219106. Contained in major repair kit P/N 219107
28		1	Strainer - Fuel Not available separately. Contained in minor repair kit P/N 219106. Contained in major repair kit P/N 219107

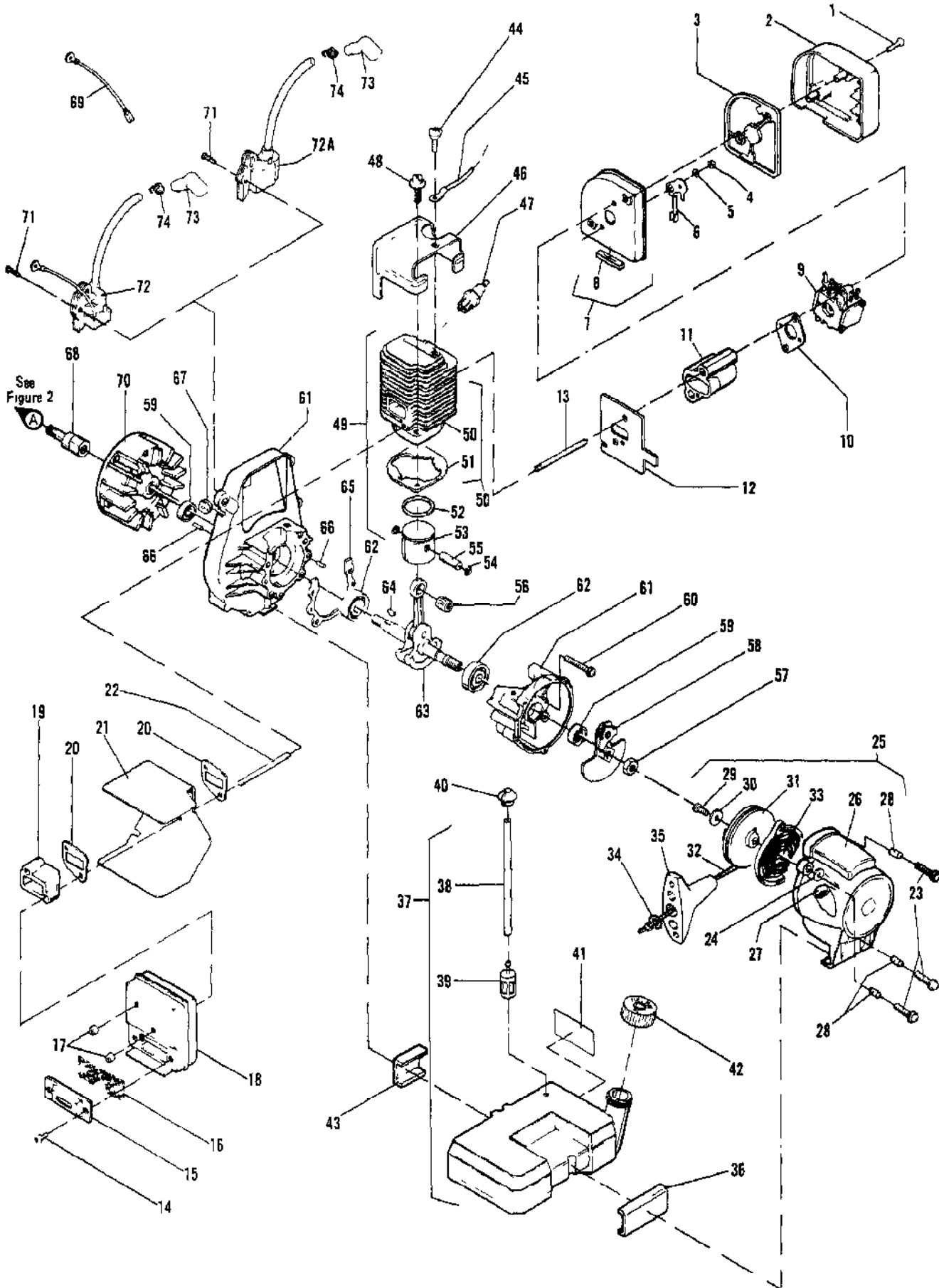


Ref #	Part Number	Qty	Description
1	219191	1	Housing-Inner
	219947	1	Housing-Inner
2	216022	4	Screw-M4 x 21.4 (Torque 40-50 in. lb.)
3	218655	1	Disc-Drive
4	218518	1	Impeller
5	218656	1	Washer-Impeller
6	213169	1	Nut-Hx M8 (Torque 90-100 in. lb.)
7	218644	5	Screw-10-14 x.75 (Torque 35-45 in. lb.)
8	219178	1	Housing-Outer Impeller
9	216389	1	Screw-8-32 x.5 (Torque 20-25 in. lb.)
10	218643	1	Screw-8-16 x.50 (Torque 20-25 in. lb.)
11	218538	1	Pin-Cover
12	218539	1	Spring-Cover
13	218939	1	Cover-Inlet
14	218852	1	Decal-Warning Inlet
15	218797	1	Decal-Warning
16	218648	1	Switch
17	219189	1	Trigger
18	218646	1	Spring-Trigger
19	218667	2	Link-Harness
20	219954	1	Screw-10-24 x.50 (Torque 45-55 in. lb.)
21	218676	1	Eyelet-Threaded
22	218644	5	Screw-10-14 x.75 (Torque 35-45 in. lb.)
23	219190	1	Shroud-Engine
	219946	1	Shroud-Engine
24	219174	1	Adapter-Tube
25	219172	1	Clamp-Adapter
26	218947	4	Screw-10-24 x 1.12 (Torque 35-45 in. lb.)
27	218117	2	Plate-Nut
28	218545	1	Frame
29	219187	1	Spring-Activator
30	219188	1	Activator-Throttle Lock

No  
Diagram  
Available  
  
Parts List  
Only



Ref #	Part Number	Qty	Description
215439	215439		Tool-Piston Driving
215441	215441		Puller-Clutch
215443	215443		Plate-Pressure (Intake)
215444	215444		Gasket-Intake
215445	215445		Gasket-Exhaust
222785	222785		Torx Drive T-25 (Cylinder)
93770	93770		Case of 48 6 oz Cans
85709	85709		Case of 12 1 qt. Bottles



Ref #	Part Number	Qty	Description
1	217669	2	Screw-M4 x 25 (Torque 6-9 in. lb.)
2	215988	1	Cover-Air Cleaner
3	217376	1	Filter Assembly-Air
4	222247	2	Nut-M5
5	215993	1	Spacer-Shutter
6	215991	1	Shutter-Choke
7	216108	1	Air Box/Grommet Asy
8	215992	1	Grommet-Choke
9		1	Carburetor Assembly See "Carburetor Assembly" illustration and parts list.
10	218919	1	Gasket-Carburetor
11	219171	1	Insulator-Carburetor
12	218918	1	Gasket/Shield-Insulator
13	222481	2	Stud-M5 x 79
14	216025	1	Screw-M4 x 8 (Torque 13-17 in. lb.)
15	218553	1	Outlet-Muffler
16	215516	1	Screen-Spark Arrestor
17	222247	2	Nut-M5 (Torque 32-51 in. lb.)
18	218651	1	Muffler Assembly
19	218632	1	Spacer-Muffler
20	218920	2	Gasket-Muffler
21	218652	1	Shield-Muffler
22	222481	2	Stud M5 x 79 (Torque 40-51 in. lb.)
23	216022	3	Screw-M4 x 21.4 (Torque 12-16 in. lb.)
24	217672	3	Washer-M4 Flat
25	219590	1	Starter Assembly
26	219588	1	Housing-Starter Assembly
27	218932	1	Guide
28	219585	3	Spacer-Housing Starter
29	215874	1	Screw-M4 x 9.5 (Torque 17-22 in. lb.)
30	216590	1	Washer-M4 Flat
31	216092	1	Drum/Rope Assembly
32	216093	1	Rope-Starter
33	217482	1	Spring-Starter
34	218941	1	Washer-Nylon
35	216792	1	Handle-Starter
36	217382	1	Cushion-Fuel Tank/Starter
37	218650	1	Fuel Tank Assembly
38	218915	1	Hose-Fuel
39	216985	1	Pickup-Fuel
40	215495	1	grommet-Hose
41	217383	1	Decal-40.1
42	222347	1	Cap-Fuel
43	217390	1	Cushion-Fuel Tank/C'Case
44	213178	1	Screw-M5 x 8.5 (Torque 15-25 in. lb.)
45	218649	1	Terminal Assembly-Ground
46	218586	1	Cover-Cylinder
47	62345	1	Plug-Spark
48	217320	2	Screw-M6 x 18 (Torque 72-83 in. lb.)
49	222594	1	Cylinder/Piston Kit
50	219084	1	Kit-Cyl (Plated)/Gasket
51	215542	1	Gasket
52	217475	1	Ring-Piston
53	218264	1	Piston (Alum)
54	111026	2	Ring-Snap

Ref #	Part Number	Qty	Description
55	218275	1	Pin-Wrist
56	110984	1	Bearing-Needle
57	216583	1	Nut-M8 (Torque 156-171 in. lb.)
58	215525	1	Ratchet Assembly (Hand Tighten Only)
59	83859	2	Seal-Oil
60	213179	4	Screw-M5 x 28.5 (Torque 35-42 in. lb.)
61	218185	1	Crankcase Assembly
62	213282	2	Bearing-C'Shaft/C'Case
63	218106-01	1	Crankshaft/Con Rod Asy.
64	102164	1	Key-Flywheel
65	215545	1	Gasket-Crankcase
66	213191	4	Pin
67	215541	1	Grommet
68	218654	1	Extension-Shaft (Torque 150-168 in. lb.)
69	219383	1	Wire Asy-Switch
70	219951	1	Flywheel
	222308	1	Flywheel
71	216022	2	Screw-4 x 21.4 (Torque 12-16 in. lb.)
72	219795	1	Ignition Asy (Black)
72A	219782	1	Ignition Asy (Cream)
73	95266	1	Boot-Spark Plug
74	102556	1	Connector