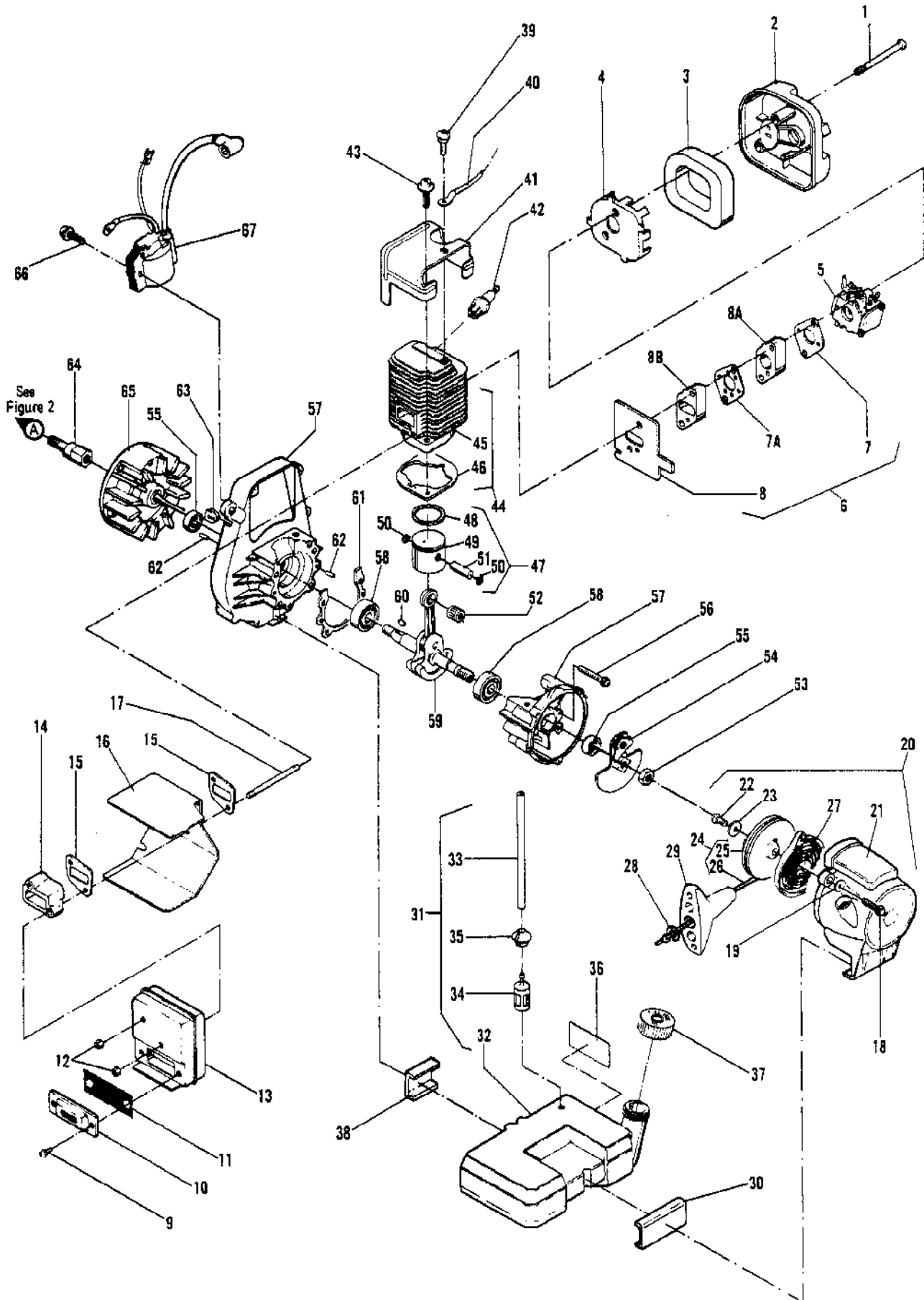


Ref #	Part Number	Qty	Description
	219205	1	Zama M-13
1		2	Screw Not available separately.
2		1	Cover - Diaphragm Not available separately.
3		1	Diaphragm - Main Not available separately.
4		1	Gasket - Main Not available separately.
5		1	Disc Not available separately.
6		1	Screw - Pin Not available separately.
7		1	Pin - Arm Not available separately.
8		1	Arm - Needle Valve Not available separately.
9		1	Valve - Needle Not available separately.
10		1	Spring - Arm Not available separately.
11		1	Plug - Welch Not available separately.
12		1	Screw - Throttle Valve Not available separately.
13		1	Valve - Throttle Not available separately.
14		1	E-Ring Not available separately.
15		1	Shaft Asy. - Throttle Not available separately.
16		1	Spring - Throttle Return Not available separately.
17		1	Needle Not available separately.
18		1	Needle - Low Speed Adj. Not available separately.
19		2	Spring - Needle Not available separately.
20		1	Screw - Throttle Adj. Not available separately.
21		1	Spring - Throttle Adj. Screw Not available separately.
22		1	Screw - Cover Not available separately.
23		1	Cover - Fuel Pump Not available separately.
24		1	Diaphragm - Surge Not available separately.
25		1	Gasket - Fuel Pump Not available separately.
26		1	Retainer - Fuel Pump Not available separately.
27		1	Diaphragm - Fuel Pump Not available separately.
28		1	Strainer - Fuel Not available separately.

Ref #	Part Number	Qty	Description
1	218547	1	Housing Inner
2	216022	4	Screw-M-4 x 23.4 Torx (40-50 in. lb. Torque)
3	218655	1	Disc-Drive
4	219207	1	Impeller
5	218656	1	Washer-Impeller
6	213169	1	Nut-Hx Flange M-8 (90-100 in. lb. Torque)
7	218644	5	Screw-10-14 x .75 Torx (35-45 in. lb. Torque)
8	219206	1	Housing-Outer Impeller
9	218797	1	Decal-Warning
10	218648	1	Switch
11	219189	1	Trigger
12	218646	1	Spring-Trigger
13	217935	1	Screw-10-24 x .50 Torx (45-55 in. lb. Torque)
14	218676	1	Eyelet-Threaded
15	218644	5	Screw-10-14 x .75 Torx (35-45 in. lb. Torque)
16	218548	1	Shroud-Engine
17	219174	1	Adapter-Tube
18	219172	1	Clamp-Adapter
19	219250	1	Plug-Hole
20	219173	1	Blower Tube-Straight
21	219179	1	Blower Nozzle-Curved



Ref #	Part Number	Qty	Description
1	219246	2	Screw M-5 x 0.8 x 84.5
2	219098	1	Cover Assembly-Choke
3	219145	1	Filter-Air
4	219144	1	Box-Air
5		1	Carburetor Assembly See Carburetor Assembly Illustration and parts list
6	219080	1	Gasket - Kit
7	218919	1	Gasket - Carburetor
7A	218933	1	Gasket - Spacer
8	218918	1	Gasket/Shield Insulator
8A	218931	1	Spacer - Carburetor
8B	215771	1	Insulator - Carburetor
9	216025	2	Screw M-4 x 8 Torx-Outlet (13-17 in. lb. Torque)
10	219204	1	Outlet-Muffler
11	215516	1	Screen-Spark Arrestor
12	217275	2	Nut-Flange M-5 (32-51 in. lb. Torque)
13	218651	1	Muffler Assembly
14	218632	1	Spacer-Muffler
15	218920	2	Gasket-Muffler
16	218652	1	Shield-Muffler
17	218631	2	Stud-M-5 x 79-Muffler (40-51 in. lb. Torque)
18	213177	3	Screw M-4 x 18.9 Torx (12-16 in. lb. Torque)
19	217672	3	Washer-M-4 Flat-Starter
20	217388	1	Starter Assembly
21	217389	1	Housing-Starter Assembly
22	215874	1	Screw-M-4 x 9.5 Torx (17-22 in. lb. Torque)
23	216590	1	Washer M-4 Flat
24	216092	1	Drum/Rope Assembly
25	215770	1	Drum-Starter
26	216093	1	Rope-Starter
27	217482	1	Spring-Starter
28	218941	1	Washer-Nylon
29	216792	1	Handle-Starter
30	217382	1	Cushion-Fuel Tank/Starter
31	218650	1	Fuel Tank/Hose Assembly
32	218576	1	Tank-Fuel
33	218915	1	Hose-Fuel
34	216985	1	Pickup-Fuel
35	215495	1	Grommet-Hose
36	217383	1	Decal 40:1
37	216346	1	Cap-Fuel
38	217390	1	Cushion-Fuel Tank/C'case
39	213178	1	Screw-M-5 x 8.5 Torx (15-25 in. lb. Torque)
40	218649	1	Terminal Assembly-Ground
41	218586	1	Cover-Cylinder
42	62345	1	Spark Plug-AC-CS45T (109-135 in. lb. Hand Torque)
43	217320	2	Screw-M-6 x 18 Torx (72-83 in lb. Hand Torque)
44	219081	1	Cylinder/Gasket Kit
45	217296	1	Cylinder
46	215542	1	Gasket-Cylinder/C'case
47	219082	1	Piston Kit
48	217475	1	Ring-Piston
49	218273	1	Piston
50	111026	2	Snap Ring-Wrist Pin
51	218275	1	Pin-Wrist

Ref #	Part Number	Qty	Description
52	110984	1	Bearing-Needle
53	216583	1	Nut-Hex M-8 Ratchet Assy (156-171 in. lb. Torque)
54	215525	1	Ratchet Assembly (Hand Tighten Only)
55	83859	2	Oil Seal-C'Shaft/C'case
56	213179	4	Screw-M-5 x 28.5 (35-42 in. lb. Hand Torque)
57	218185	1	Crankcase Assembly
58	213282	2	Bearing-C'Shaft/C'case
59	218106	1	Crankshaft/Con Rod Assy
60	102164	1	Key-Flywheel
61	215545	1	Gasket-Crankcase Halves
62	213191	4	Pin
63	215541	1	Grommet
64	218654	1	Extension-Shaft (150-168 in. lb. Torque)
65	217378	1	Flywheel
66	213177	2	Screw-M-4 x 18.9 Ignition (13-16 in. lb. Torque)
67	217439	1	Ignition