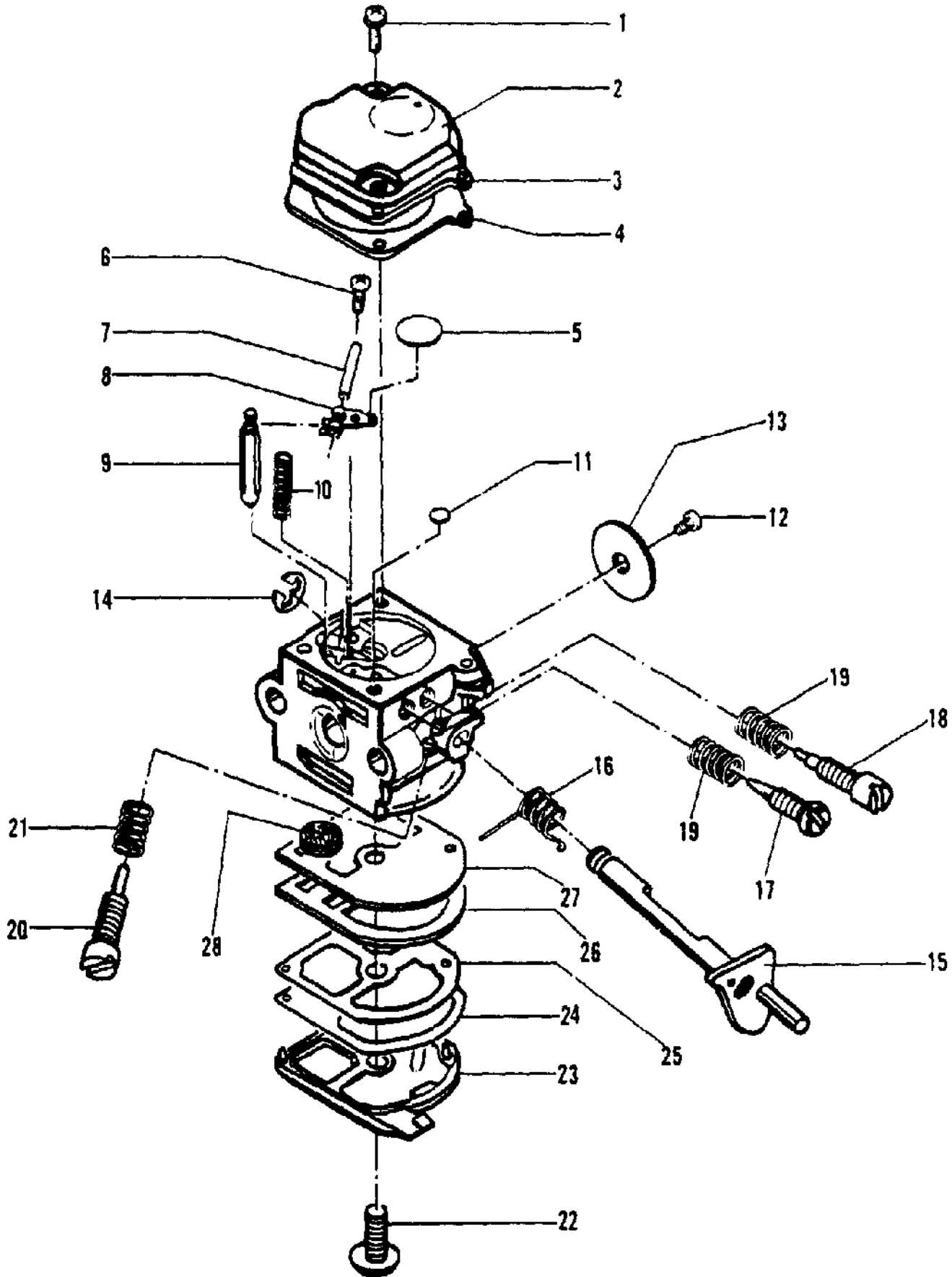


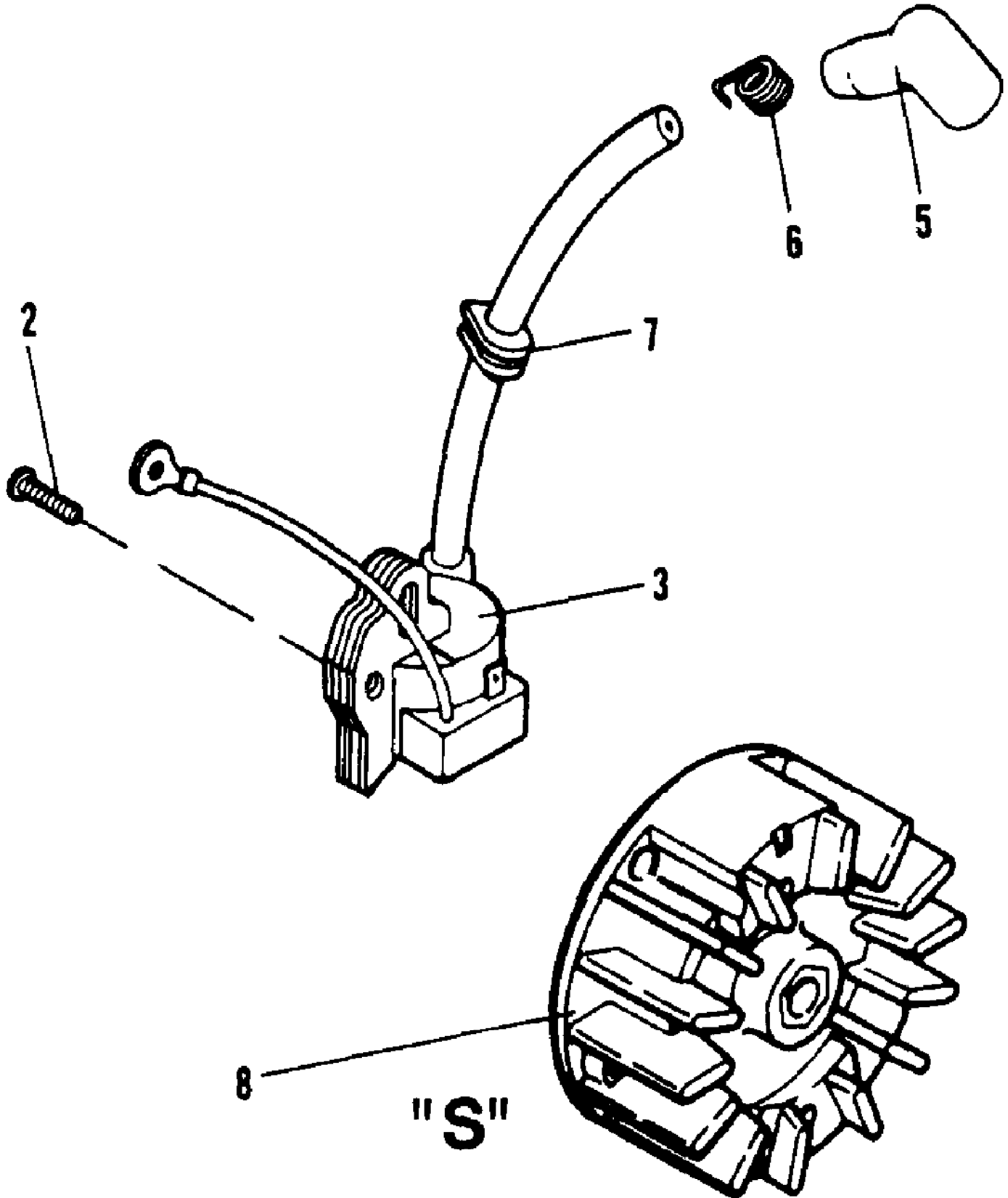
Ref #	Part Number	Qty	Description
	222937	1	Carburetor - ZAMA M21
1		2	Screw-Pump Cover Not Available Separately
2		1	Cover-Pump Not Available Separately
3		1	Gasket-Pump Not Available Separately Contained in Major Repair Kit, P/N 222404. Dealer stocked. Medium to slow moving part. Contained in Gasket/Diaphragm Kit, P/N 222405. Dealer stocked. Medium to slow moving part.
4		1	Diaphragm Pump Not Available Separately Contained in Major Repair Kit, P/N 222404. Dealer stocked. Medium to slow moving part. Contained in Gasket/Diaphragm Kit, P/N 222405. Dealer stocked. Medium to slow moving part.
5		1	Strainer Not Available Separately Contained in Major Repair Kit, P/N 222404. Dealer stocked. Medium to slow moving part.
6		1	Screw-Throttle Valve Not Available Separately
7		1	Valve-Throttle Not Available Separately
8		1	Shaft Asy-Throttle Not Available Separately
9		1	Spring-Throttle Return Not Available Separately
10		1	"E" Ring-Throttle Shaft Not Available Separately
11		1	Screw-Throttle Adjust. Not Available Separately
12		1	Screw-High Speed Not Available Separately Contained in Major Repair Kit, P/N 222404. Dealer stocked. Medium to slow moving part.
13		1	Screw-Low Speed Not Available Separately Contained in Major Repair Kit, P/N 222404. Dealer stocked. Medium to slow moving part.
14		2	Spring-Adjuster Screw Not Available Separately Contained in Major Repair Kit, P/N 222404. Dealer stocked. Medium to slow moving part.
15		2	Screw-Metering Cover Not Available Separately
16		1	Retainer-Primer Not Available Separately
17	223061	1	Kit-Primer Bulb Not Available Separately
18		1	Spring-Primer Not Available Separately
19		1	Base Asy-Primer Not Available Separately
20		1	Diaphragm Asy-Metering Not Available Separately Contained in Major Repair Kit, P/N 222404. Dealer stocked. Medium to slow moving part. Contained in Gasket/Diaphragm Kit, P/N 222405. Dealer stocked. Medium to slow moving part.
21		1	Gasket-Metering Chamber Not Available Separately Contained in Major Repair Kit, P/N 222404. Dealer stocked. Medium to slow moving part. Contained in Gasket/Diaphragm Kit, P/N 222405. Dealer stocked. Medium to slow moving part.
22		1	Screw-Pin Retaining Not Available Separately
23		1	Pin-Metering Lever Not Available Separately Contained in Major Repair Kit, P/N 222404. Dealer stocked. Medium to slow moving part.

Ref #	Part Number	Qty	Description
24		1	Lever-Metering Not Available Separately Contained in Major Repair Kit, P/N 222404. Dealer stocked. Medium to slow moving part.
25		1	Valve-Inlet Needle Not Available Separately Contained in Major Repair Kit, P/N 222404. Dealer stocked. Medium to slow moving part.
26		1	Spring-Metering Lever Not Available Separately Contained in Major Repair Kit, P/N 222404. Dealer stocked. Medium to slow moving part.
27		1	Nozzle Asy-Check Valve Not Available Separately Contained in Major Repair Kit, P/N 222404. Dealer stocked. Medium to slow moving part.
28		1	Plug-Welch Not Available Separately Contained in Major Repair Kit, P/N 222404. Dealer stocked. Medium to slow moving part.
29		1	Retainer-Check Valve Not Available Separately
30		1	Valve-Check Not Available Separately
31		1	Spring-Adj. Screw Not Available Separately
	219901		Fuel Tank Assembly
	222404		Major Repair Kit
	222405		Gasket/Diaphragm Kit



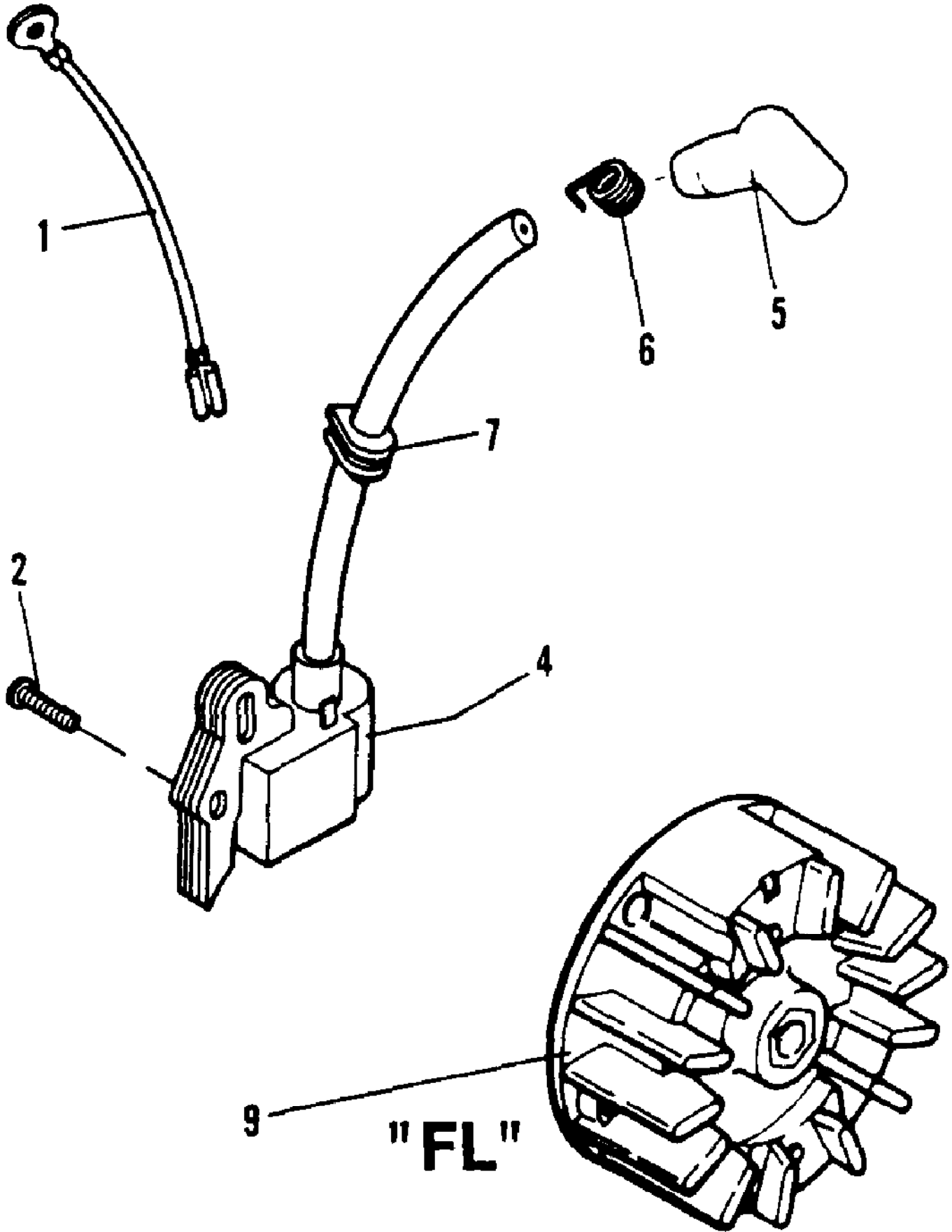
Ref #	Part Number	Qty	Description
	219205		
1		1	Carburetor-ZAMA-M13
		2	Screw Contained in Major Repair Kit P/N 219107. Contained in Minor Repair Kit P/N 219106.
2		1	Cover-Diaphragm
3		1	Diaphragm Main Contained in Major Repair Kit P/N 219107. Contained in Minor Repair Kit P/N 219106.
4		1	Gasket-Main Contained in Major Repair Kit P/N 219107. Contained in Minor Repair Kit P/N 219106.
5		1	Disc Contained in Major Repair Kit P/N 219107. Contained in Minor Repair Kit P/N 219106.
6		1	Screw-Pin Contained in Major Repair Kit P/N 219107. Contained in Minor Repair Kit P/N 219106.
7		1	Pin-Arm Contained in Major Repair Kit P/N 219107. Contained in Minor Repair Kit P/N 219106.
8		1	Arm-Needle Valve Contained in Major Repair Kit P/N 219107. Contained in Minor Repair Kit P/N 219106.
9		1	Valve-Needle Contained in Major Repair Kit P/N 219107. Contained in Minor Repair Kit P/N 219106.
10		1	Spring-Arm Contained in Major Repair Kit P/N 219107. Contained in Minor Repair Kit P/N 219106.
11		1	Plug-Welch Contained in Major Repair Kit P/N 219107. Contained in Minor Repair Kit P/N 219106.
12		1	Screw-Throttle Valve
13		1	Valve-Throttle
14		1	"E" Ring
15		1	Shaft Asy-Throttle
16		1	Spring-Throttle Return
17		1	Needle-High Speed Adj.
18		1	Needle-Low Speed Adj.
19		2	Spring-Needle
20		1	Screw-Throttle Adj.
21		1	Spring-Screw Adj.
22		1	Screw-Cover Contained in Major Repair Kit P/N 219107. Contained in Minor Repair Kit P/N 219106.
23		1	Cover-Fuel Pump
24		1	Diaphragm-Surge Contained in Major Repair Kit P/N 219107. Contained in Minor Repair Kit P/N 219106.
25		1	Gasket-Fuel Pump Contained in Major Repair Kit P/N 219107. Contained in Minor Repair Kit P/N 219106.
26		1	Retainer-Fuel Pump Contained in Major Repair Kit P/N 219107. Contained in Minor Repair Kit P/N 219106.
27		1	Diaphragm-Fuel Pump Contained in Major Repair Kit P/N 219107. Contained in Minor Repair Kit P/N 219106.
28		1	Strainer-Fuel Contained in Major Repair Kit P/N 219107. Contained in Minor Repair Kit P/N 219106.

Ref #	Part Number	Qty	Description
	219107		Major Repair Kit
	219106		Minor Repair Kit

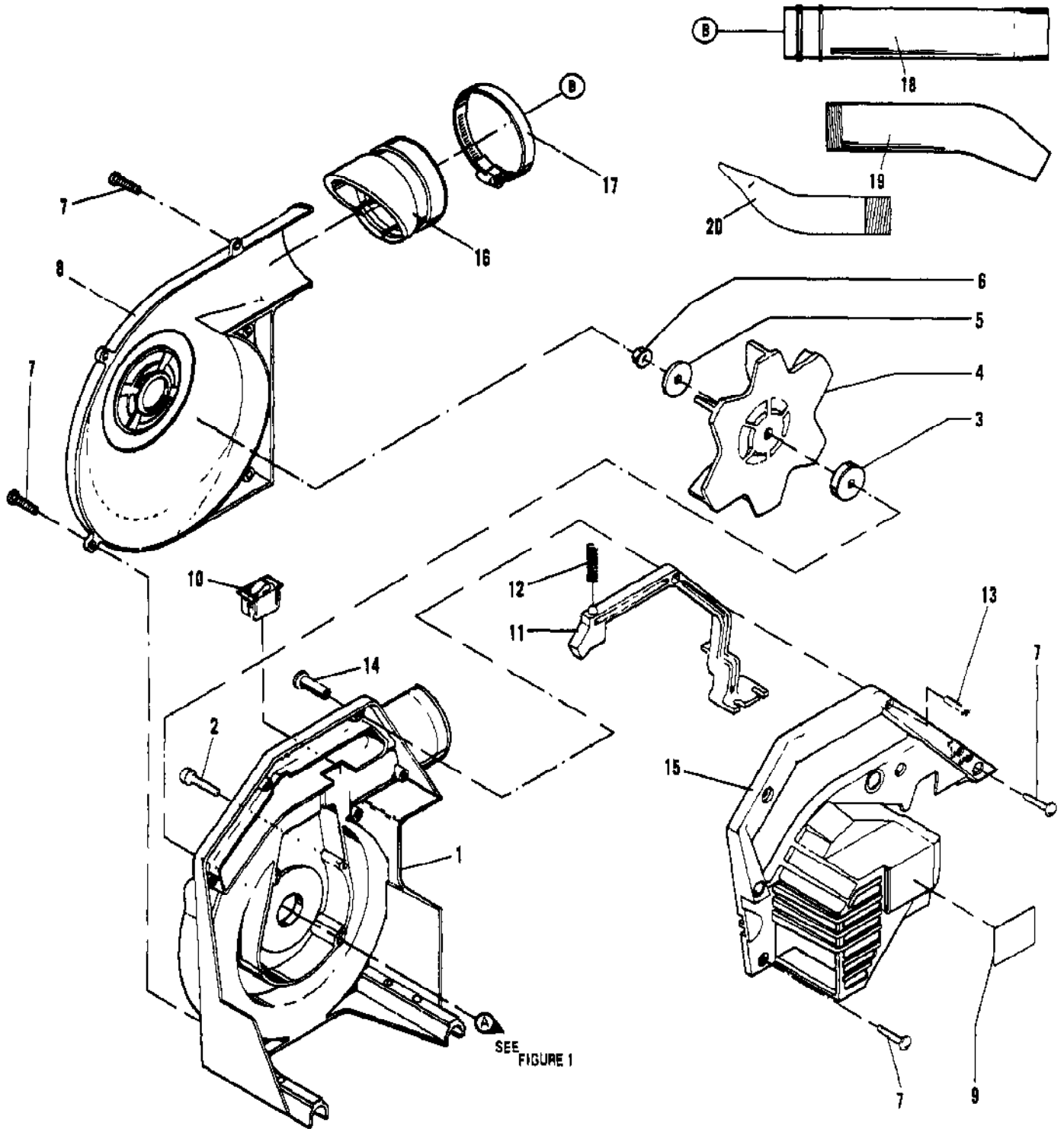


Ref #	Part Number	Qty	Description
1	219383	1	Wire-Switch
2	216022	6	Screw-M4 x 23.4 (Torque 13-16 in. lb.)
3	219795	1	Ignition (Black)
4	219848	1	Ignition (Cream)
5	95266	1	Boot-Spark Plug
6	102556	1	Connector
7	215533-01	1	Grommet
8	222430	1	Flywheel (Stamped "S")
9	222308	1	Flywheel (Stamped "FL")

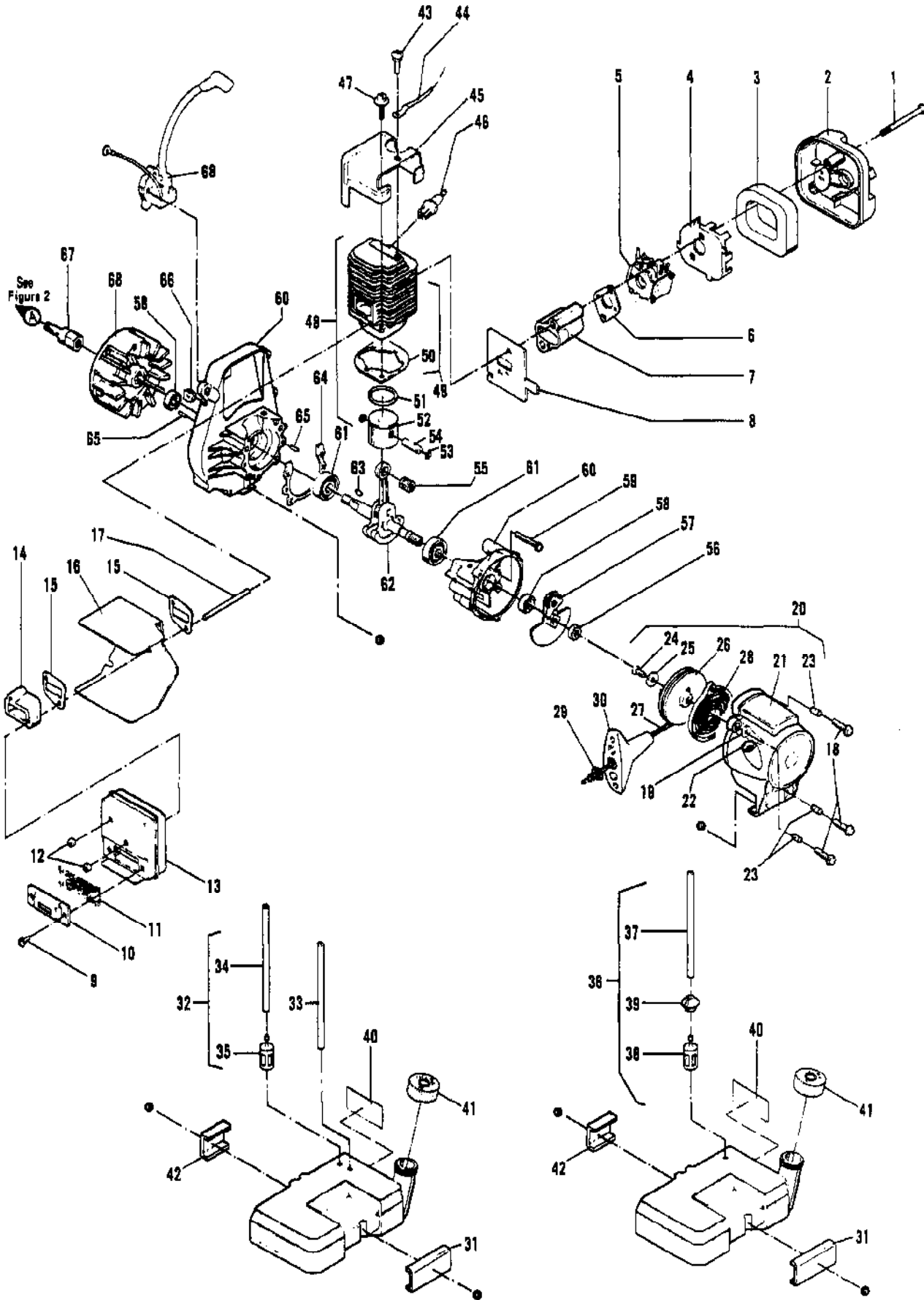




Ref #	Part Number	Qty	Description
	219958	1	Kit-Flywheel/Ignition
1	219383	1	Wire-Switch
2			UNKNOWN
9	222308	1	Flywheel Assembly ("FL")
4	219848	1	Ignition (Cream)
5	95266	1	Boot-Spark Plug
6	102556	1	Connector-Spark
7	215533-01	1	Grommet



Ref #	Part Number	Qty	Description
1	219947	1	Housing-Inner
	219191	1	Housing-Inner
2	216022	4	Screw-M4 x 23.4 (Torque 40-50 in. lb.)
3	218655	1	Disc-Drive
4	219207	1	Impeller
5	218656	1	Washer-Impeller
6	216645	1	Nut-HX Flange M8 (Torque 90-100 in. lb.)
7	218644	10	Screw-10-14 x .75 TORX (Torque 35-45 in. lb.)
8	219206	1	Housing-Outer
9	219977	1	Decal-Warning
10	223241	1	Switch-Momentary
11	219189	1	Trigger
12	218646	1	Spring-Trigger
13	217935	1	Screw 10-24 X .50 TORX
	219954	1	Screw-8-18 x .75 (Torque 34-45 in. lb.)
14	218676	1	Eyelet-Threaded
15	219946	1	Shroud-Engine
	219190	1	Shroud-Engine
16	219174	1	Adapter-Tube
17	219172	1	Clamp-Adaptor
18	219173-01	1	Blower Tube-Straight
19	219179	1	Blower Nozzle-Curved
20	218841	1	Nozzle-Fishtail



Ref #	Part Number	Qty	Description
1	219246	2	Screw-M5 x 84.5 SEMS
2	223196	1	Cover Asy-Choke
3	219145	1	Filter-Air
4	222758	1	Box-Air
5		1	Carburetor See "Ignition & Flywheel Assemblies" illustration and parts list.
6	218919	1	Gasket-Carburetor
7	219171	1	Insulator-Carburetor
8	218918	1	Gasket/Shield Insulator
9	216025	2	Screw-M4 x 8 TORX (Torque 13-17 in. lb.)
10	219204	1	Outlet-Muffler
11	215516	1	Screen-Spark Arrestor
12	222247	2	Nut-Stud (Torque 32-51 in. lb.)
13	218651	1	Muffler
14	218632	1	Spacer-Muffler
15	218920	2	Gasket-Muffler
16	218652	1	Shield-Muffler
17	222481	2	Stud-Muffler (Torque 40-51 in. lb.)
18	213177	3	Screw-M4.2 x 18.5 TORX (Torque 12-16 in. lb.)
19	217672	3	Washer-M4 Flat
20	219590	1	Starter Assembly
21	223331	1	Housing-Starter
22	218932	1	Guide-Rope
23	219585	3	Spacer-Housing
24	215874	1	Screw-M4 x 9.5 TORX (Torque 17-22 in. lb.)
25	216590	1	Washer-M4 Flat
26	216092	1	Drum/Rope Assembly
27	216093	1	Rope-Starter
28	217482	1	Spring-Starter
29	218941	1	Washer-Nylon
30	216792	1	Handle-Starter
31	217382	1	Cushion-Fuel Tank
32	219901	1	Fuel Tank Assembly
33	219899	1	Hose-Fuel (Inlet)
34	219897	1	Hose-Fuel (Return)
35	216985	1	Pickup-Fuel
36	218650	1	Fuel Tank/Hose Assembly
37	218915	1	Hose-Fuel
38	216985	1	Pickup-Fuel
39	215495	1	Grommet-Hose
40	217383	1	Decal-40:1
41	222347-01	1	Cap-Fuel
42	217390	1	Cushion-Fuel Tank
43	213178	1	Screw-M5 x 8.5 SEMS (Torque 15-25 in. lb.)
44	218649	1	Terminal-Ground
45	218586	1	Cover-Cylinder
46	62345	1	Plug-Spark DJ&J (Torque 109-135 in. lb.)
47	217320	2	Screw-M6 x 18 TORX (Torque 72-83 in. lb.)
48	222594	1	Cylinder/Piston Kit
49	219084	1	Kit-Cyl (Plated)/Gasket
50	215542	1	Gasket
51	217475	1	Ring-Piston
52	218264	1	Piston
53	111026	2	Ring-Snap
54	218275	1	Pin-Wrist

Ref #	Part Number	Qty	Description
55	110984	1	Bearing-Needle
56	216583	1	Nut-Hex M8 (Torque 156-171 in. lb.)
57	215525	1	Ratchet Assembly (Hand Tighten Only)
58	83859	2	Seal-Oil
59	213179	4	Screw-M5 x 28.5 TORX (Torque 35-42 in. lb.)
60	218185	1	Crankcase Assembly
61	213282	2	Bearing
62	218106-01	1	Crankshaft/Con Rod Asy
63	102164	1	Key-Flywheel
64	215545	1	Gasket-Crankcase
65	213191	4	Pin
66	215541	1	Grommet
67	218654	1	Extension-Shaft (Torque 150-168 in. lb.)
68		1	Ignition/Flywheel Asys. See "Ignition & Flywheel Assemblies" illustration and parts list.

No  
Diagram  
Available  
  
Parts List  
Only



Ref #	Part Number	Qty	Description
	215439		Tool-Piston Driving
	215441		Puller-Clutch
	215443		Plate-Pressure (Intake)
	215444		Gasket-Intake
	215445		Gasket-Exhaust
	222785		Torx Drive T-25 (Cylinder)
	215432		Tool Pressure Test