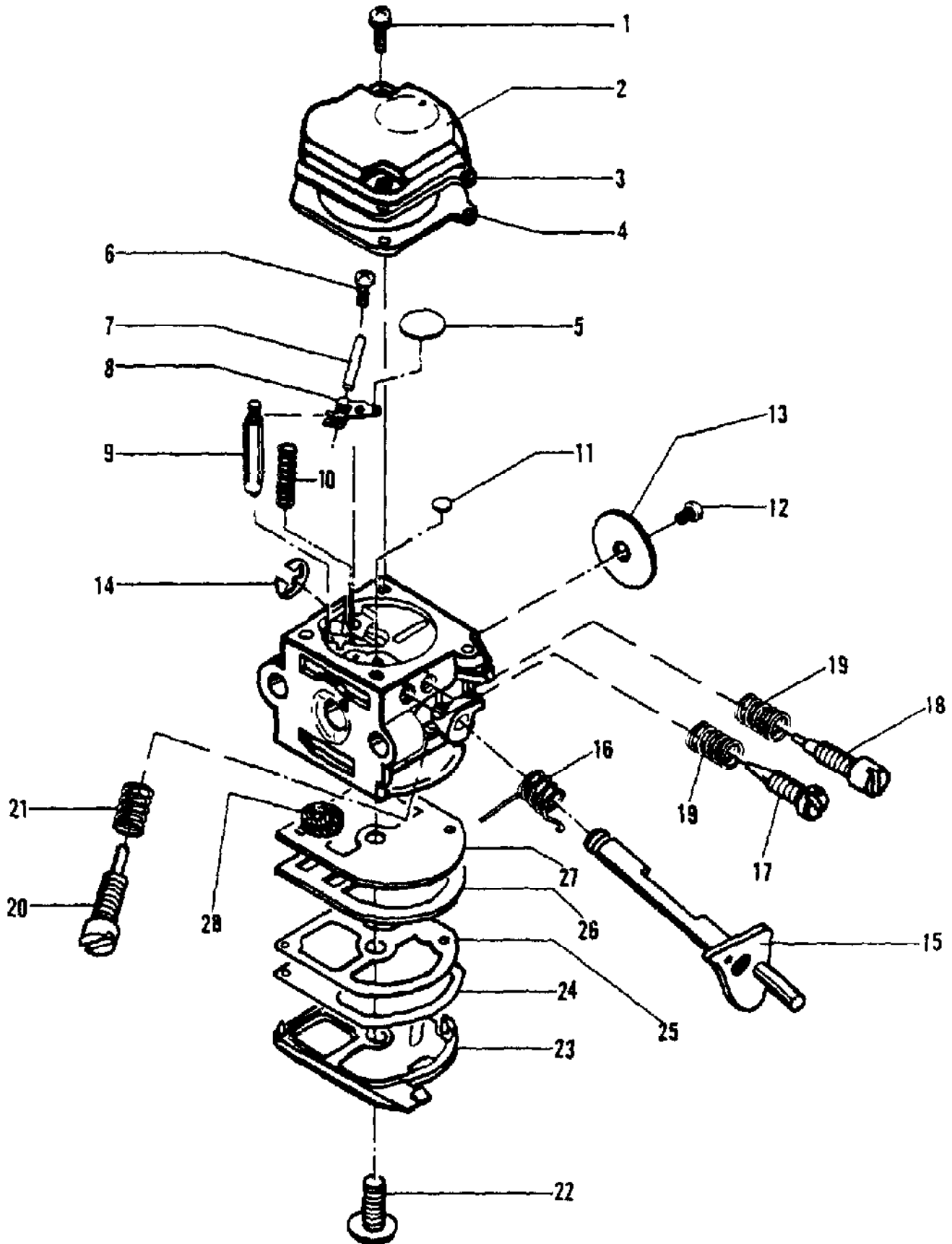
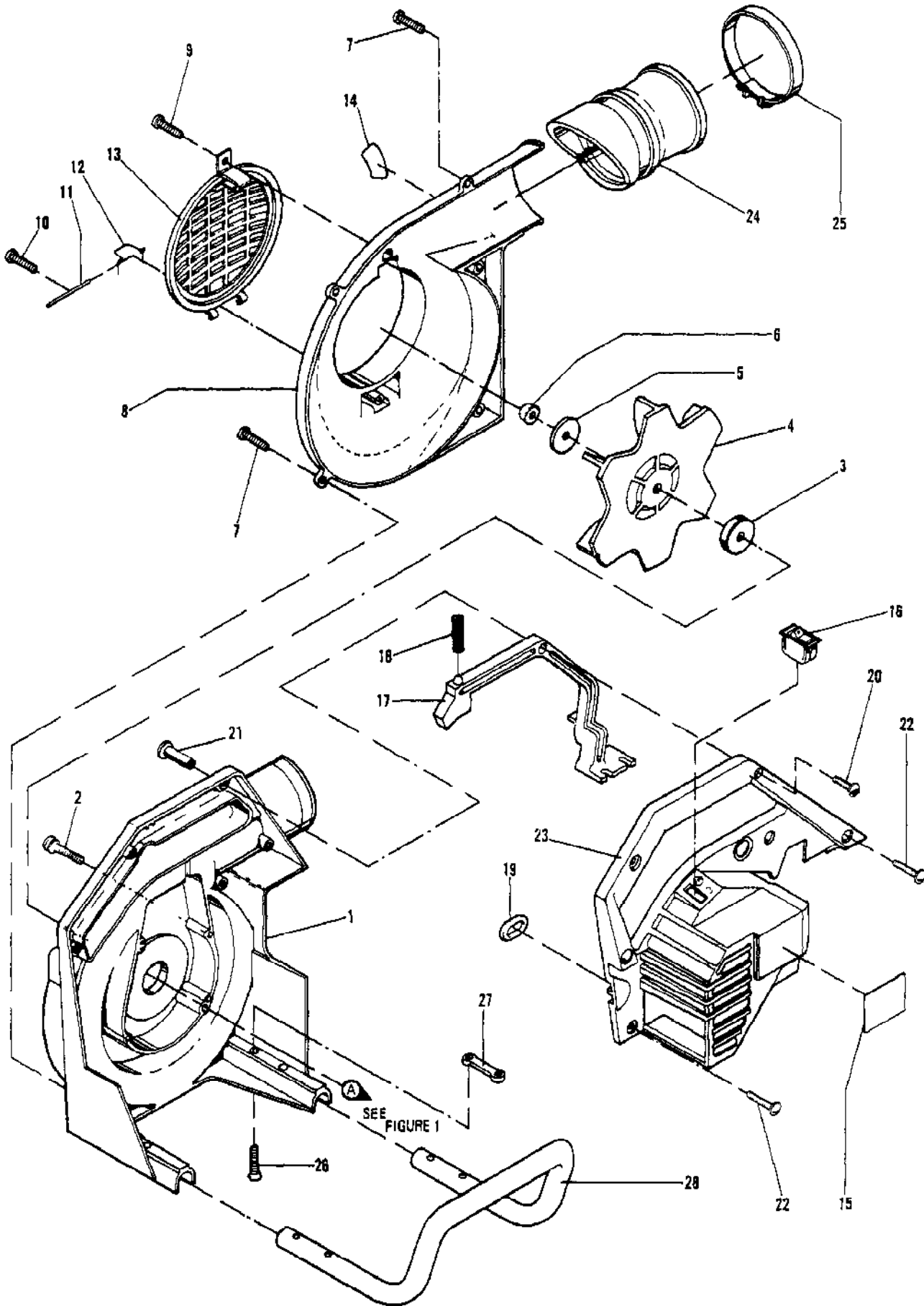


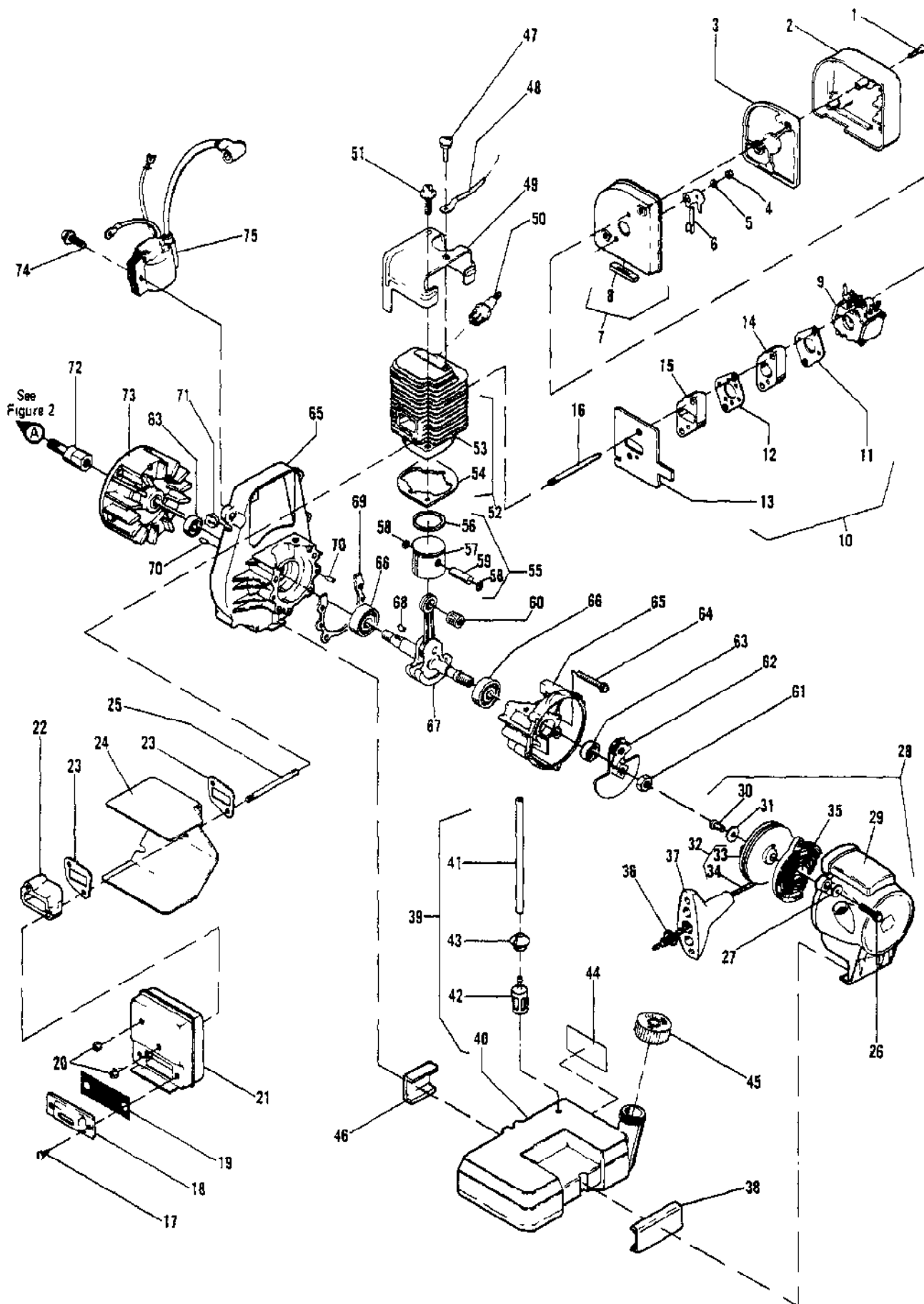
| Ref # | Part Number | Qty | Description   |
|-------|-------------|-----|---|
|       | 218717      | 1   | Kit - Vacuum  |
| 1     | 218947      | 4   | Screw 10-24 x 1.12 Torx - Frame (35-45 in lb. torque) |
| 2     | 216117      | 2   | Plate - Nut   |
| 3     | 218545      | 1   | Frame   |
| 4     | 218657      | 1   | Vacuum Tube - Upper Section                           |
| 5     | 218684      | 1   | Vacuum Tube - Lower Section                           |
| 6     | 218660      | 1   | Bag Assembly  |
| 7     | 218666      | 1   | Harness   |
| 8     | 218938      | 1   | Hook - Snap   |
| 9     | 218663      | 1   | Blower Tube - Straight                                |
| 10    | 218665      | 1   | Blower Nozzle - Curved                                |



| Ref # | Part Number | Qty | Description  |
|-------|-------------|-----|--|
|       | 218647      | 1   | Zama M-12  |
| 1     |             | 2   | Screw Not available separately.                        |
| 2     |             | 1   | Cover - Diaphragm Not available separately.            |
| 3     |             | 1   | Diaphragm - Main Not available separately.             |
| 4     |             | 1   | Gasket - Main Not available separately.                |
| 5     |             | 1   | Disc Not available separately.                         |
| 6     |             | 1   | Screw - Pin Not available separately.                  |
| 7     |             | 1   | Pin - Arm Not available separately.                    |
| 8     |             | 1   | Arm - Needle Valve Not available separately.           |
| 9     |             | 1   | Valve - Needle Not available separately.               |
| 10    |             | 1   | Spring - Arm Not available separately.                 |
| 11    |             | 1   | Plug - Welch Not available separately.                 |
| 12    |             | 1   | Screw - Throttle Valve Not available separately.       |
| 13    |             | 1   | Valve - Throttle Not available separately.             |
| 14    |             | 1   | E-Ring Not available separately.                       |
| 15    |             | 1   | Shaft Asy. - Throttle Not available separately.        |
| 16    |             | 1   | Spring - Throttle Return Not available separately.     |
| 17    |             | 1   | Needle - High Speed Adj. Not available separately.     |
| 18    |             | 1   | Needle - Low Speed Adj. Not available separately.      |
| 19    |             | 2   | Spring - Needle Not available separately.              |
| 20    |             | 1   | Screw - Throttle Adj. Not available separately.        |
| 21    |             | 1   | Spring - Throttle Adj. Screw Not available separately. |
| 22    |             | 1   | Screw - Cover Not available separately.                |
| 23    |             | 1   | Cover - Fuel Pump Not available separately.            |
| 24    |             | 1   | Diaphragm - Surge Not available separately.            |
| 25    |             | 1   | Gasket - Fuel Pump Not available separately.           |
| 26    |             | 1   | Retainer - Fuel Pump Not available separately.         |
| 27    |             | 1   | Diaphragm - Fuel Pump Not available separately.        |
| 28    |             | 1   | Strainer - Fuel Not available separately.              |



| Ref # | Part Number | Qty | Description  |
|-------|-------------|-----|--|
| 1     | 218547      | 1   | Housing Inner  |
| 2     | 216022      | 4   | Screw - M4 x 23.4 Torx (40-50 in. lb. torque)              |
| 3     | 218655      | 1   | Disc - Drive   |
| 4     | 218518      | 1   | Impeller   |
| 5     | 218656      | 1   | Washer - Impeller  |
| 6     | 213169      | 1   | Nut - Hx Flange M-8 (90 - 100 in. lb. torque)              |
| 7     | 218644      | 5   | Screw - 10-14 x .75 Torx (35 - 45 in. lb. torque)          |
| 8     | 218546      | 1   | Housing - Outer Impeller                                   |
| 9     | 216535      | 1   | Screw 8-16 x .625 - Cover (25 - 35 in. lb. torque)         |
| 10    | 218643      |     | Screw 8-16 x .50 Torx - Pin Cover (25 - 35 in. lb. torque) |
| 11    | 218538      | 1   | Pin - Cover  |
| 12    | 218539      | 1   | Spring - Cover   |
| 13    | 218580      |     | Cover - Inlet  |
| 14    | 218852      | 1   | Decal - Warning Inlet                                      |
| 15    | 218797      | 1   | Decal - Warning  |
| 16    | 218648      | 1   | Switch   |
| 17    | 218935      | 1   | Trigger  |
| 18    | 218646      | 1   | Spring - Trigger   |
| 19    | 218667      | 2   | Link - Harness   |
| 20    | 217935      | 1   | Screw - 10-24 x .50 Torx (45 - 55 in lb. torque)           |
| 21    | 218676      | 1   | Eyelet - Threaded  |
| 22    | 218644      | 1   | Screw - 10-14 x .75 Torx (35 - 45 in. lb. torque)          |
| 23    | 218548      | 1   | Shroud - Engine  |
| 24    | 218664      | 1   | Adapter - Tube   |
| 25    | 219073      | 1   | Clamp - Tube   |
| 26    |             | 4   | Screw - 10-24 x 1.12 Torx - Frame, (35-45 in. lb. torque)  |
| 27    |             | 2   | Plate - Nut See Accessories Illustration and parts list    |
| 28    |             | 1   | Frame See Accessories Illustration and parts list          |



| Ref # | Part Number | Qty | Description  |
|-------|-------------|-----|--|
| 1     | 217669      | 2   | Screw - M4 x 25 torx (6-9 in lb. torque)                             |
| 2     | 215988      | 1   | Cover - Air Cleaner  |
| 3     | 217376      | 1   | Filter Assembly - Air  |
| 4     | 217275      | 2   | Nut - Flange M-5   |
| 5     | 215993      | 1   | Spacer - Shutter   |
| 6     | 215991      | 1   | Shutter - Choke  |
| 7     | 216108      | 1   | Air Box/Grommet Asy  |
| 8     | 215992      | 1   | Grommet - Choke  |
| 9     |             | 1   | Carburetor Asy. See Carburetor Assembly Illustration and parts list. |
| 10    | 219080      | 1   | Gasket - Kit   |
| 11    | 218919      | 1   | Gasket - Carburetor  |
| 12    | 218933      | 1   | Gasket - Spacer  |
| 13    | 218918      | 1   | Gasket/Shield Insulator  |
| 14    | 218931      | 1   | Spacer - Carburetor  |
| 15    | 215771      | 1   | Insulator - Carburetor   |
| 16    | 218631      | 2   | Stud - M5 x 79   |
| 17    | 216025      | 2   | Screw M4 x 8 Torx - Outlet (13-17 in. lb. torque)                    |
| 18    | 218553      | 1   | Outlet - Muffler   |
| 19    | 215516      | 1   | Screen - Spark Arrestor  |
| 20    | 217275      | 2   | Nut - Flange M.5 (32-51 in. lb. torque)                              |
| 21    | 218651      | 1   | Muffler Assembly   |
| 22    | 218632      | 1   | Spacer - Muffler   |
| 23    | 218920      | 2   | Gasket - Muffler   |
| 24    | 218652      | 1   | Shield - Muffler   |
| 25    | 218631      | 2   | Stud - M5 x 79 - Muffler (40-51 in. lb. torque)                      |
| 26    | 213177      | 3   | Screw M4.2 x 18.5 Torx (12-16 in. lb. torque)                        |
| 27    | 217672      | 3   | Washer - M4 Flat - Starter   |
| 28    | 217388      | 1   | Starter Assembly   |
| 29    | 217389      | 1   | Housing - Starter Assembly   |
| 30    | 215874      | 1   | Screw - M4 x 9.5 Torx - Drum (17-22 in. lb. torque)                  |
| 31    | 216590      | 1   | Washer M4 - Flat   |
| 32    | 216092      | 1   | Drum/Rope Assembly   |
| 33    | 215770      | 1   | Drum - Starter   |
| 34    | 216093      | 1   | Rope - Starter   |
| 35    | 217482      | 1   | Spring - Starter   |
| 36    | 218941      | 1   | Washer - Nylon   |
| 37    | 216792      | 1   | Handle - Starter   |
| 38    | 217382      | 1   | Cushion - Fuel Tank/Starter  |
| 39    | 218650      | 1   | Fuel Tank/Hose Assembly  |
| 40    | 218576      | 1   | Tank - Fuel  |
| 41    | 218915      | 1   | Hose - Fuel  |
| 42    | 216985      | 1   | Pickup - Fuel  |
| 43    | 215495      | 1   | Grommet  |
| 44    | 217383      | 1   | Decal 40:1   |
| 45    | 216346      | 1   | Cap - Fuel   |
| 46    | 217390      | 1   | Cushion - Fuel Tank/Crankcase  |
| 47    | 213178      | 1   | Screw - M5 x 8.5 Torx (15-26 in. lb. torque)                         |
| 48    | 218649      | 1   | Terminal Assembly - Ground   |
| 49    | 218586      | 1   | Cover - Cylinder   |
| 50    | 62345       | 1   | Spark Plug - AC - C545T (109-135 in. lb. hand torque)                |
| 51    | 217320      | 2   | Screw - M6 x 18 Torx (72-83 in. lb. hand torque)                     |
| 52    | 219081      | 1   | Cylinder/Gasket Kit  |
| 53    | 217296      | 1   | Cylinder   |
| 54    | 215542      | 1   | Gasket - Cylinder/Crankcase  |



| Ref # | Part Number | Qty | Description  |
|-------|-------------|-----|--|
| 55    | 219082      | 1   | Piston Kit   |
| 56    | 217475      | 1   | Ring - Piston  |
| 57    | 218273      | 1   | Piston   |
| 58    | 111026      | 2   | Snap Ring - Wrist Pin                                      |
| 59    | 218275      | 1   | Pin - Wrist  |
| 60    | 110984      | 1   | Bearing - Needle   |
| 61    | 216583      | 1   | Nut - Hex M-8 - Ratchet Asy (156-17) in. lb. torque)       |
| 62    | 215525      | 1   | Ratchet Assembly (Hand Tighten Only)                       |
| 63    | 83859       | 2   | Oil Seal - C-Shaft/Crankcase                               |
| 64    | 213179      | 4   | Screw - M5 x 28.5 Torx (35-42 in. lb. hand torque)         |
| 65    | 218185      | 1   | Crankcase Assembly   |
| 66    | 213282      | 2   | Bearing - C-Shaft/Crankcase                                |
| 67    | 218106      | 1   | Crankshaft/Con Rod Assembly                                |
| 68    | 102164      | 1   | Key - Flywheel   |
| 69    | 215545      | 1   | Gasket - Crankcase Halves                                  |
| 70    | 213191      | 4   | Pin  |
| 71    | 215541      | 1   | Grommet  |
| 72    | 218654      | 1   | Extension - Shaft (150-168 in. lb. torque)                 |
| 73    | 217378      | 1   | Flywheel   |
| 74    | 213177      | 2   | Screw - M4.2 x 18.5 Torx - Ignition (13-16 in. lb. torque) |
| 75    | 217439      | 1   | Ignition   |