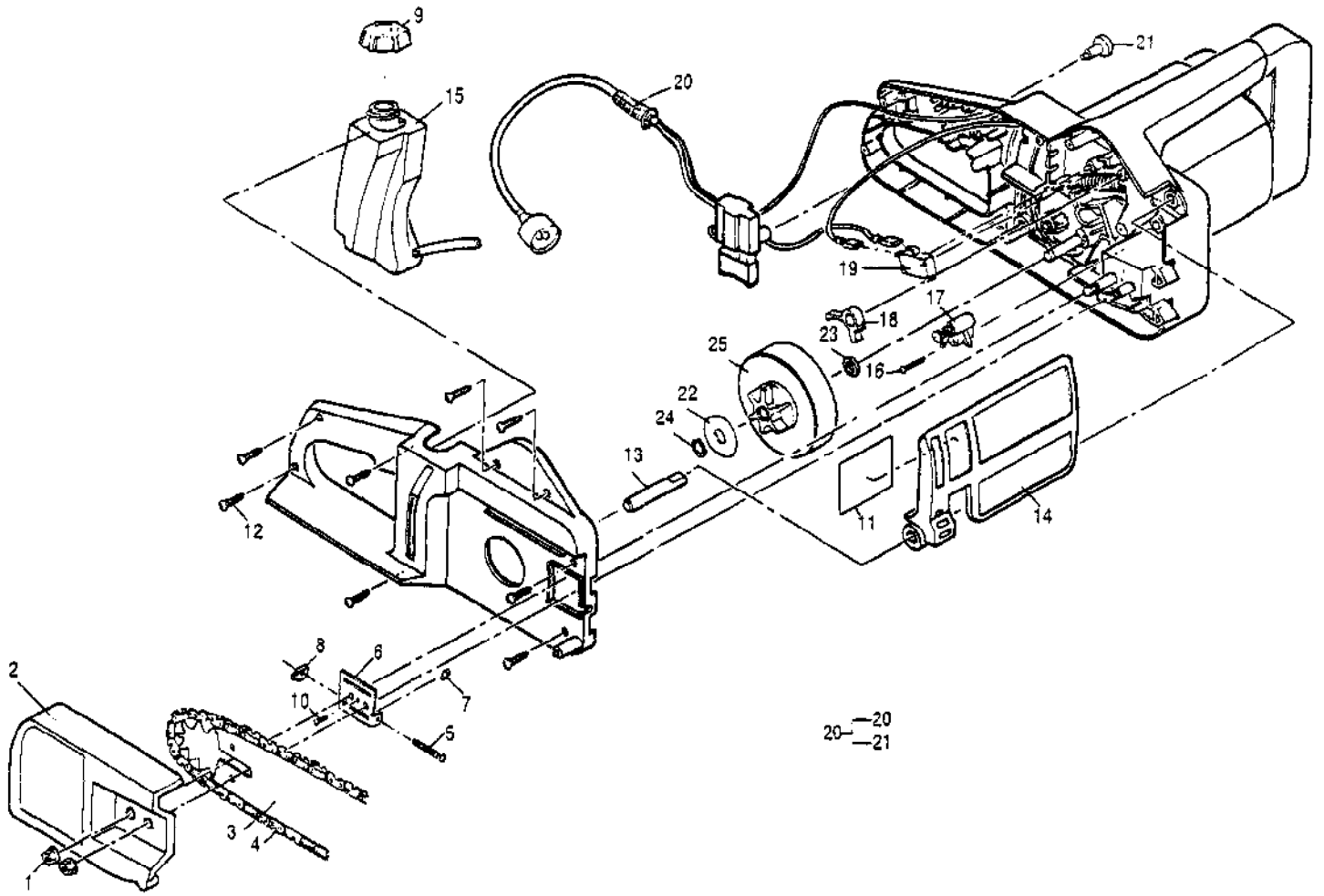


No  
Diagram  
Available  
  
Parts List  
Only

Ref #	Part Number	Qty	Description
	214233-33		Bar - 10" Spkt Tip For model 150-10
	214234-33		Bar - 12" Spkt Tip For model 200-12
	214235-33		Bar - 14" Spkt Tip For models 250-14 & 300S-14
	214236-33		Bar - 16" Spkt Tip For model 300S-16
	214235-33		Bar - 16" Spkt Tip For model 400S-16
	219276-33		Bar - 18" Spkt Tip For model 400S-18
	214236-33		Bar - 16" Spkt Tip For model 450S-16
	218261-33		Chain - MPG370GLX 39DL For model 150-10
	218095-33		Chain - MPG370GLX 45DL For model 200-12
	218096-33		Chain - MPG370GLX 50DL For models 250-14 & 300S-14
	218097-33		Chain - MPG370GLX 55DL For models 300S-16, 400S-16, & 450S-16
	301568-33		Chain - MPG370GLX 61DL For model 400S-18
	214217-33		Round File For all models
	301992-33		File & Guide For all models



Ref #	Part Number	Qty	Description
1	022279	2	Nut, Bar Retaining Hex 1/4-28
2	40800-96	1	Cover, Sprocket with Bushing
3		1	Bar See "Bar and Chain" Parts List.
4		1	Chain See "Bar and Chain" Parts List.
5	40925-63	1	Screw, Bar Adjust
6	40817-96	1	Plate, Bar Tension
7	110907	1	Ring, Retaining
8	40900-99	1	Nut, Bar Adjust
9	40820-02	1	Oil Cap
10	15140-99	1	Screw #4 x 5/8 Pn Hd
11	46703-80	1	Label, Warning
12	15031-99	8	Screw, #8 x 3/4 Ph Pan Hd
13	40835	1	Lever, Axle Brake
14	40807-96	1	Lever, Brake
15	40819-96	1	Oil Tank/Tubing/Filter Asy
16	15104-99	1	Screw, #6 x 3/4 Ph Pan Hd
17	40824-96	1	Oil Pump/Tubing Asy
18	40925-11	1	Lever, Micro Switch
19	40932-00	1	Switch, Micro
20	302309	1	Kit, Card and Switch
21	40925-66	1	Switch/Button Any
22	40814	1	Washer, Sprocket
23	22257	1	Washer, Flat, Sprocket
24	22237	1	Ring, Retainer
25	40925-42	1	Gear/Sprocket