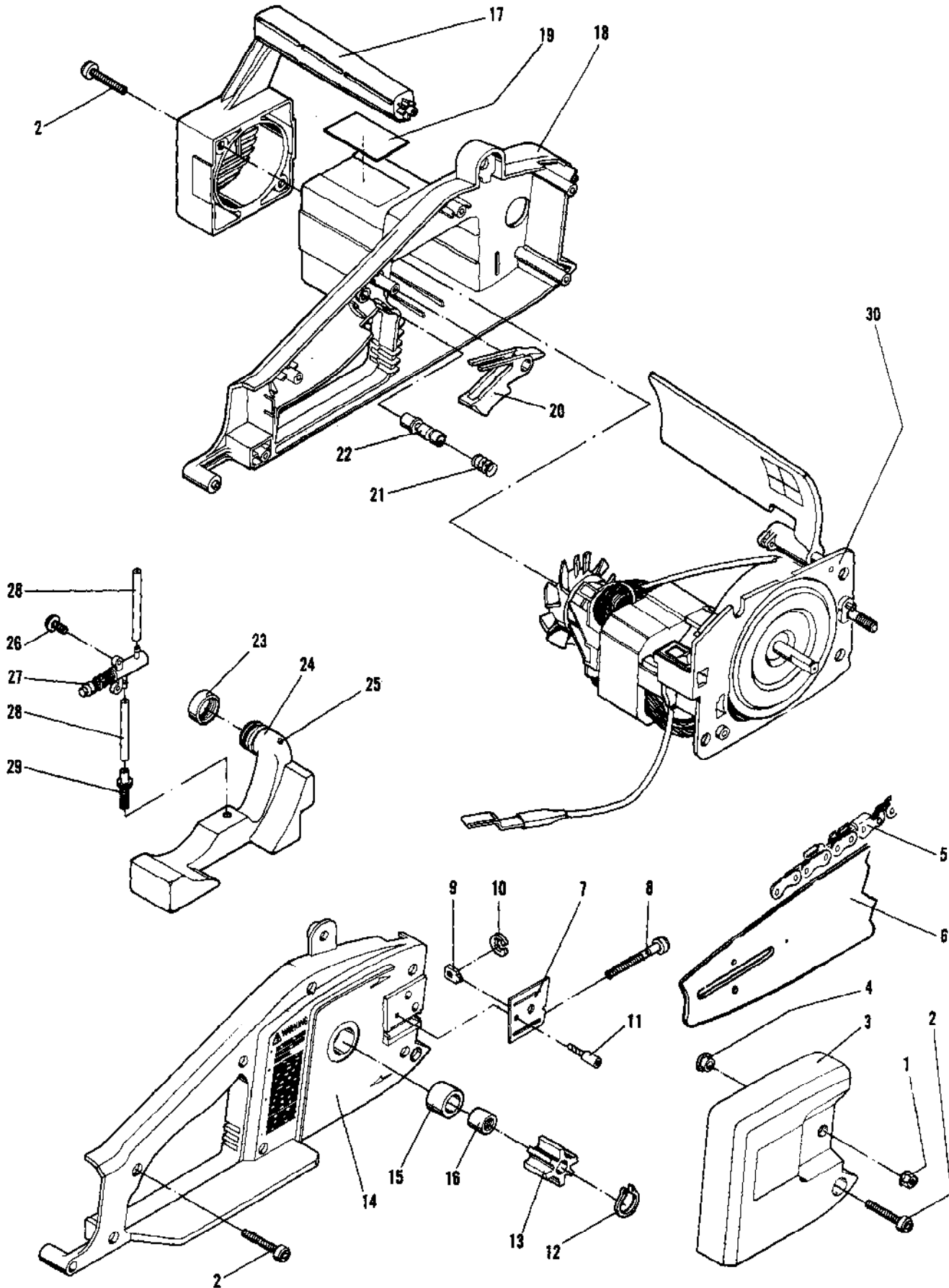


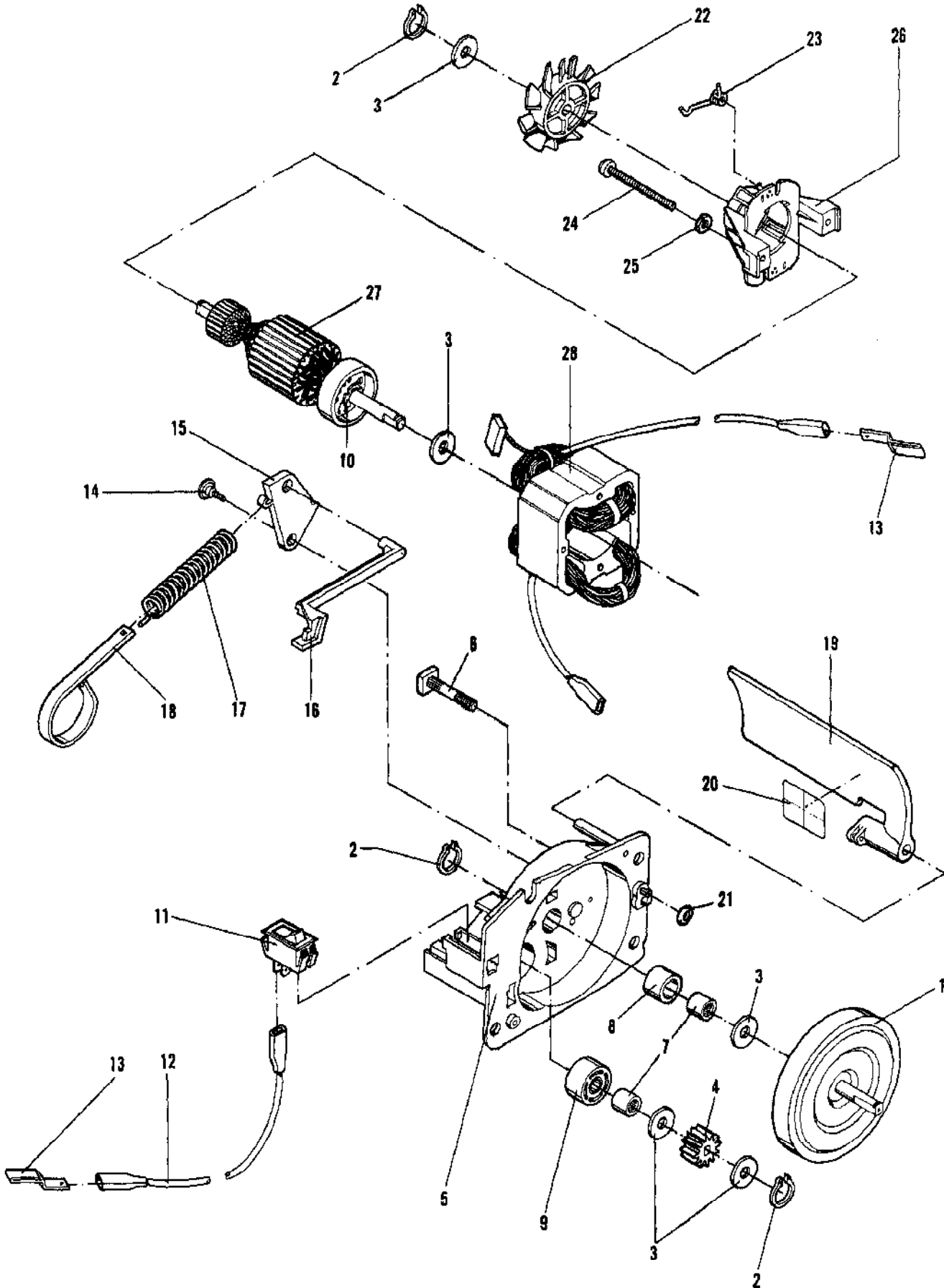
No
Diagram
Available

Parts List
Only

Ref #	Part Number	Qty	Description
	214233		Bar - 10" Spkt. Tip
	214234		Bar - 12" Spkt. Tip
	214235		Bar - 14" Spkt. Tip
	214236		Bar - 16" Spkt. Tip
	218261-12		Chain - MP370GLX 39CL
	218095-12		Chain - MP370GLX 45CL
	218096-12		Chain - MP370GLX 50CL
	218097-12		Chain - MP370GLX 55CL
	219131		File Plate
	214217		Round File



Ref #	Part Number	Qty	Description
1	110676	1	Nut - Bar
2	222300	12	Screw - Housing
3	222254	1	Cover - Sprocket Asy.
4		1	Bushing Not available separately.
5		1	Chain
6		1	Bar
7	222702	1	Plate - Bar
8	223088	1	Screw - Adjustment
9	68656	1	Nut - Bar Adjustment
10	110907	1	Ring - Retaining
11	222701	1	Screw - Bar Plate
12	222280	1	Ring - Snap
13	222271	1	Sprocket
14	222706	1	Housing - Right Assembly
15		1	Sleeve - Bearing Not available separately.
16		1	Bearing Not available separately.
17	222257	1	Handle - Left
18	222252	1	Housing - Left
19	222728	1	Label - Nameplate
20	222259	1	Switch - Trigger
21	222750	1	Spring - Lock
22	222745	1	Lock - Switch
23	222298	1	Cap - Oil
24	222290	1	Tank - Oil
25	222733	1	Valve - Vent
26	218643	2	Screw - TR 8-16 x .5 TORX
27	222746	1	Pump - Oil
28	223322	2	Hose - Oil Pump
29	223486	1	Filter - Oil
30		1	Motor Assembly See "Motor Assembly" illustration and parts list.



Motor Assembly

Ref #	Part Number	Qty	Description
1	222268	1	Gear - Ring
2	222280	3	Ring - Snap
3	222279	5	Washer (10mm)
4	222270	1	Drive Gear
5	222721	1	Chassis Assembly
6	83856	1	Bolt - Bar
7		2	Bearing Not available separately.
8		1	Sleeve - Bearing Not available separately.
9		1	Mount - Bearing Not available separately.
10	222278	1	Ring - Clip
11	222291	1	Switch
12	222292	1	Wire Terminal Assembly
13	222283	2	Contact
14	222287	1	Screw - Shoulder
15	222286	1	Latch - Brake
16	222261	1	Linkage - Chain Brake
17	222285	1	Spring
18	222284	1	Band - Brake
19	223522	1	Lever Assembly - Brake
20		1	Label - Safety Not available separately.
21	105614	1	"O" Ring
22	222275	1	Fan
23	222277	2	Spring - Brush
24	222299	2	Screw - Motor
25	222739	2	Washer - Lock
26	222262	1	Bracket Bearing Assembly
27	222736	1	Armature Assembly (1-HP)
	222723	1	Armature Assembly (2-HP)
28	222719	1	Terminal Field Asy (1-HP)
	222720	1	Terminal Field Asy (2-HP)

No
Diagram
Available

Parts List
Only

Ref #	Part Number	Qty	Description
	85687		Wrench - Screwdriver