

Ref #	Part Number	Qty	Description
	392195		Portable Generator
1	210133	1	Engine
2	21844	2	Rail - Engine
3	21926	1	Label - Engine
4	22120	1	Crankshaft
5	22017	2	Frame - Horizontal
6	22016	2	Cradle Half
7	21681	1	Cover - Back
8	210284	1	Cover - Front
9	21805	4	Isolator
10	21846	2	Channel- Isolator
11	210317	1	Rotor
12	210258	1	Cover - Solenoid
13	210215	1	Bracket - Lift
14	210142	1	Bracket - Throttle
15	210250	1	Bracket - Solenoid
16	22142	1	Label - Ground
17	22093	1	Mount - Stator
18	210243	2	Stator Half
19	21884	1	Kit - Stator shim, 1/32 (pkg/3)
20	21885	1	Kit - Stator shim, 1/16 (pkg/3)
21	21850	6	Spring - Holding
22	21860	6	Bushing
23	210146	1	Wiring Harness (wires only)
24	21643	5	Wire Keeper
25	210256	1	Cable - Wire
26	21622	1	Receptacle - Duplex 110V
27	21628	1	Recept.- Dplx 220V
28	21715	1	Recept.- 3 prong Twistloc
29	210063	1	Recept.- 4 prong Twistloc
30	21971	1	Switch - DPDT
31	22022	1	Switch - SPST
32	210018	2	Circuit Breaker
33	22024	1	Module - Idle control
34	210318	1	Solenoid Coil Asy
35	21726	4	Speed Nut
36	21769	2	Grommet - Strain relief
37	210254	1	Cover - Receptacle
38	210255	2	Bracket - Box
39	210259	1	Box - Receptacle
40	21948	1	Switch - Starter
41	21909	1	Cable - Battery
42	21949	1	Cable Asy - Starter
43	21947	1	Bracket - Starter sw
45	22070	4	Screw - Thd forming, 1/4-20 x 3/4
45			Casting Retaining Bolts
46	21950	6	Screw - Hx hd cap, 1/4-20 x 1-1/4
46			Stator Retaining Screws
47	21878	4	Screw - Hx hd cap, 5/16-18 x 1-3/4
48	21003	4	Screw - Hx hd cap, 3/8-16 x 1
48			Retaining Bolts Engine to Back Cover
49	22090	1	Screw - Hx hd cap, 3/8-24 x 3-3/4
49			Rotor Retaining Bolts
50	21647	6	Screw - Hx hd cap, 5/16-18 x 1
51	21573	8	Screw - Hx hd cap, 1/4-20 x 5/8

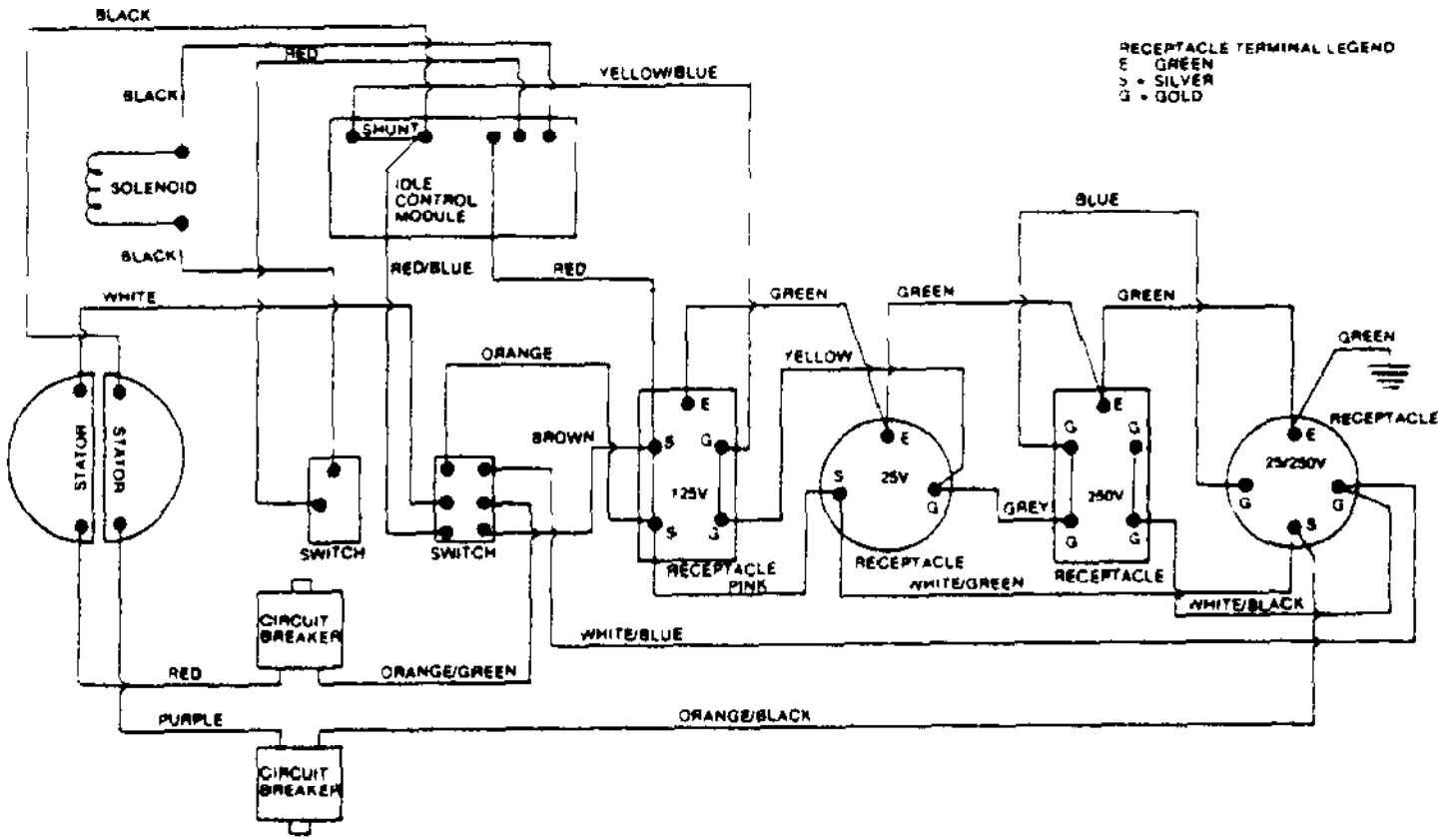
Ref #	Part Number	Qty	Description
52	21020	2	Screw - Hx hd cap, 1/4-20 x 3/4
53	22019	4	Screw - Truss hd, 1/4-20 x 2
54	210253	4	Screw - Truss hd, 3/8-16 x 1-1/4
55	21650	10	Screw - Pan hd, Sheet metal, #8
56	21898	8	Screw - Rd hd mach, 6-32 x 1/2
57	21899	1	Screw - Rd hd mach, 8-32 x 1/2
58	210128	1	Screw - Rd hd mach, 8-32 x 3/8
59	22092	1	Washer - Flat 3/8 x 1/4
60	21956	4	Washer - Flat 1/4
61	21130	9	Washer - Lock, 3/8
62	21657	1	Washer - Lock, 5/16
63	21658	16	Washer - Lock, 1/4
64	210129	1	Washer - Lock, #8
65	210252	1	Washer - Star, 5/16
66	21653	10	Nut - Keps, 5/16-18
67	21766	12	Nut - Keps, 6-32
68	21675	1	Nut - Keps, 8-32
69	210245	4	Nut - Hex, 3/8-16
70	21303	10	Nut - Hex, 1/4-20
71	210279	2	Nut - Hx jam, 5/16-18
72	22021	4	Nut - Acorn, 1/4-20
73	21654	1	Nut - Wing, 5/16-18
			Engine Head Bolts
	21502		Propane Conversion Kit
	210983		Stator Shims 1/32"
	22136		Stator Shims 3/64"
	210985		Stator Shims 1/16"
	22137		Stator Shims 5/64"
	22138		Stator Shims 3/32"
	22139		Stator Shims 7/64"
	22140		Stator Shims 1/8"
	22141		Stator Shims 9/64"
	210118		Tool Kit Complete
	21880		Rotor Holding Wrench Special Tools
	21925		Stator Clearing Gage Special Tools
	21509		Stator Shim Gage Special Tools
	21896		Rotor Gap Gage Special Tools
	21882		Rotor Puller Bolt (8" Rotor) Special Tools
	210117		Rotor Puller Bolt (9 1/2" Rotor) Special Tools
	22145		Puller Bolt Pilot Special Tools

No  
Diagram  
Available  
  
Parts List  
Only

Ref #	Part Number	Qty	Description
	21502		Propane Conversion Kit HP-3500 DLX
	21502		Propane Conversion Kit HP-3500 DLX ES

No  
Diagram  
Available  
  
Parts List  
Only

Ref #	Part Number	Qty	Description
	210118		Tool Kit Complete
	21880		Rotor Holding Wrench
	21925		Stator Clearing Gage
	21509		Stator Shim Gage
	21896		Rotor Gap Gage
	21882		Rotor Puller Bolt (8" Rotor)
	210117		Rotor Puller Bolt (9-1/2" Rotor)
	22145		Puller Bolt Pilot



\*SWITCH AND RECEPTACLES SHOWN BACK VIEW