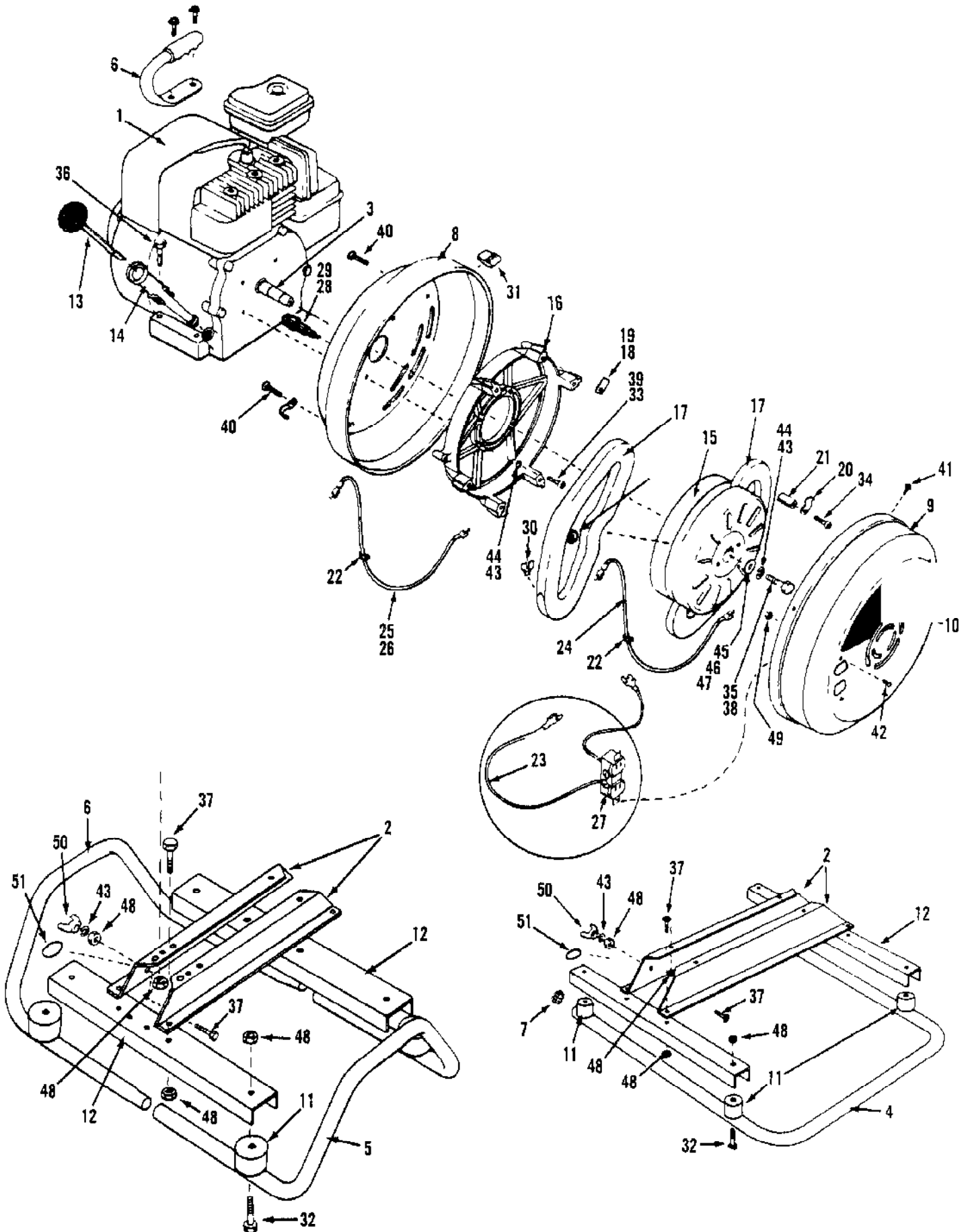


No
Diagram
Available

Parts List
Only

Ref #	Part Number	Qty	Description
	210983		Stator Shims 1/32"
	22136		Stator Shims 3/64"
	210985		Stator Shims 1/16"
	22137		Stator Shims 5/64"
	22138		Stator Shims 3/32"
	22139		Stator Shims 7/64"
	22140		Stator Shims 1/8"
	22141		Stator Shims 9/64"



Ref #	Part Number	Qty	Description
1	210497	1	Engine
2	21844	2	Engine Rail
3	22004	1	Crankshaft
4	21592	1	Tube Base
5			Cradle Half Not required for this model
6	21671	1	Handle Assembly
7	22146	2	Hole Plug
8	21602	1	Back Cover
9	21666	1	Front Cover
10	210076	1	Front Cover Label
11	21804	4	Isolator
12	21845	2	Isolator Channel
13			Dipstick Not required for this model
14			Dipstick Tube Assembly Not required for this model
15	21597	1	Rotor
16	22094	1	Stator Mount
17	21871	2	Stator Half
18	21884	1	Stator Shim Kit (1/32" pkg/3) See "Additional Stator Shims Available" parts list.
19	21885	1	Stator Shim Kit (1/16" pkg/3) See "Additional Stator Shims Available" parts list.
20	21850	6	Holding Spring
21	21860	6	Bushing
22	21643	6	Wire Keeper
23	21872	1	Wiring Harness (wires only)
24	22098	2	Jumper Wire
25	22111	1	Fuse Wire
26			Fuse Wire Not required for this model
27	21150	1	Receptacle, 110v
28	21270	1	Fuse Holder
29	21841	1	Fuse
30	21874	2	Terminal
31	21726	4	Speed Nut
32	21876	4	Bolt, Curved Head (5/16-18 x 1-1/4)
33	22068	4	Screw, Hex Head Cap (5/16-24 x 1)
33			Retaining Bolts Engine to Back Cover. Torque Value 120-144 In. lbs.
34	21950	6	Screw, Hex Head Cap (1/4-20 x 1-1/4)
34			Stator Retaining Screws Torque Value 50-60 In. lbs.
35	21857	1	Screw, Hex Head Cap (5/16-24 x 2-3/8)
35			Rotor Retaining Bolt Torque Value 240-264 In. lbs.
36	21878	4	Screw, Hex Head Cap (5/16-18 x 3/4)
37	21647	5	Screw, Hex Head Cap (5/16-18 x 1)
38			Screw, Hex Head Cap (3/8-24 x 3-3/4) Not required for this model
39			Screw, Hex Head Cap (3/8-16 x 1) Not required for this model
40	22070	3	Screw, Thread Forming (1/4-20 x 3/4)
40			Casting Retaining Bolts Torque Value 50-60 In. lbs.
41	21650	4	Screw, Pan Head Sheet Metal (No. 8)
42	21899	2	Screw, Round Head Machine (No. 8-32 x 1/2)
43	21657	6	Washer, Lock (5/16)
44			Washer, Lock (3/8) Not required for this model

Ref #	Part Number	Qty	Description
45	21859	1	Washer, Flat (5/16 x 3/16)
46			Washer, Flat (3/8 x 1/8) Not required for this model
47			Washer, Flat (3/8 x 1/4) Not required for this model
48	21653	13	Nut, Keps (5/16-18)
49	21675	2	Nut, Keps (No. 8-32)
50	21654	1	Nut, Wing (5/16-18)
51	22142	1	Ground Label
			Engine Head Bolts Torque Value 140 In. lbs.

No
Diagram
Available

Parts List
Only

Ref #	Part Number	Qty	Description
	21708		HP-1200, HP-2000 Propane Conversion Kit
	21502		HP-3000 Propane Conversion Kit

No
Diagram
Available

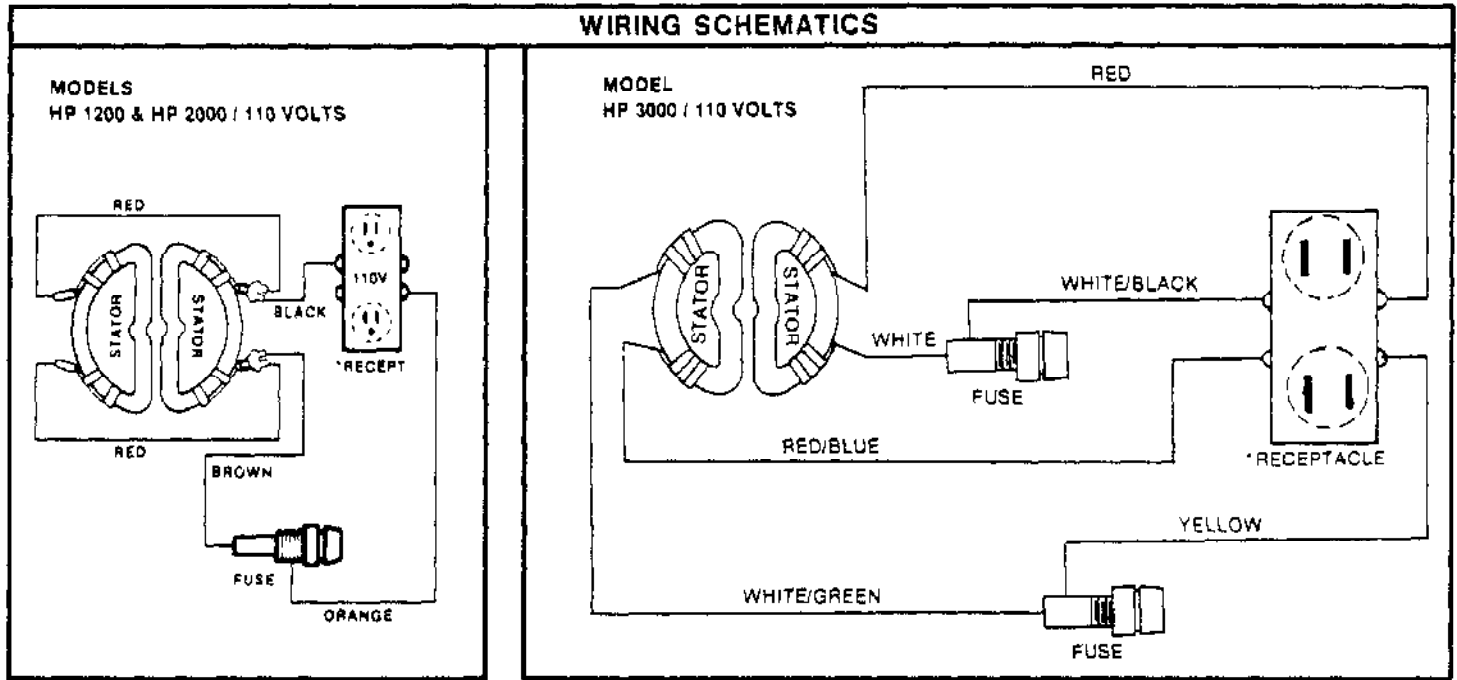
Parts List
Only

Ref #	Part Number	Qty	Description
	392191		HP-1200 Spark Arrester
	392195		HP-2000, HP-3000 Spark Arrester

No
Diagram
Available

Parts List
Only

Ref #	Part Number	Qty	Description
	210118		Tool Kit Complete
	21880		Rotor Holding Wrench
	21925		Stator Clearance Gage
	21877		Stator Shim Gage
	21509		Rotor Gap Gage
	21882		Rotor Puller Bolt (8" Rotor)
	210117		Rotor Puller Bolt (9-1/2" Rotor)
	22145		Puller Bolt Pilot



*SWITCH AND RECEPTACLES SHOWN BACK VIEW