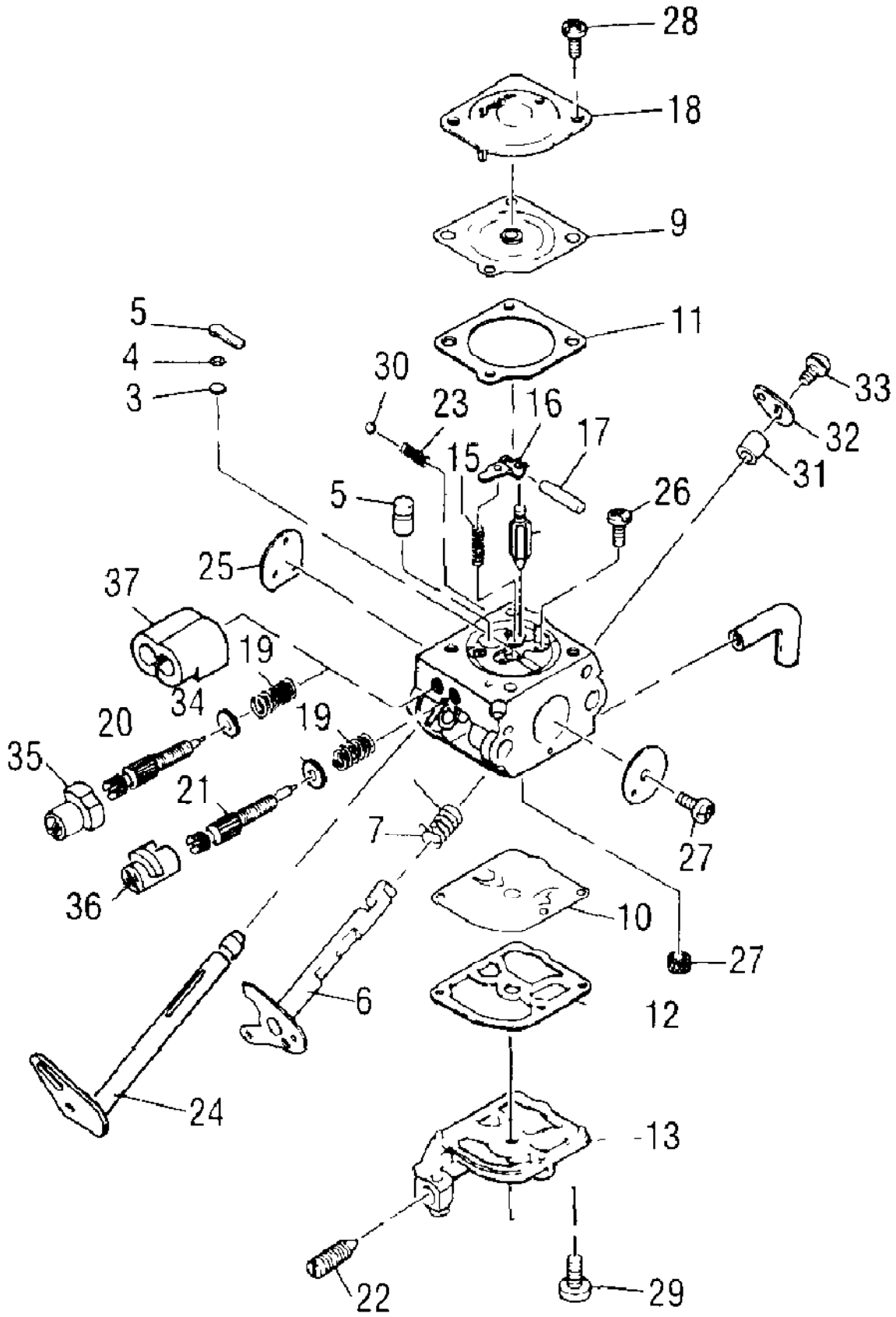


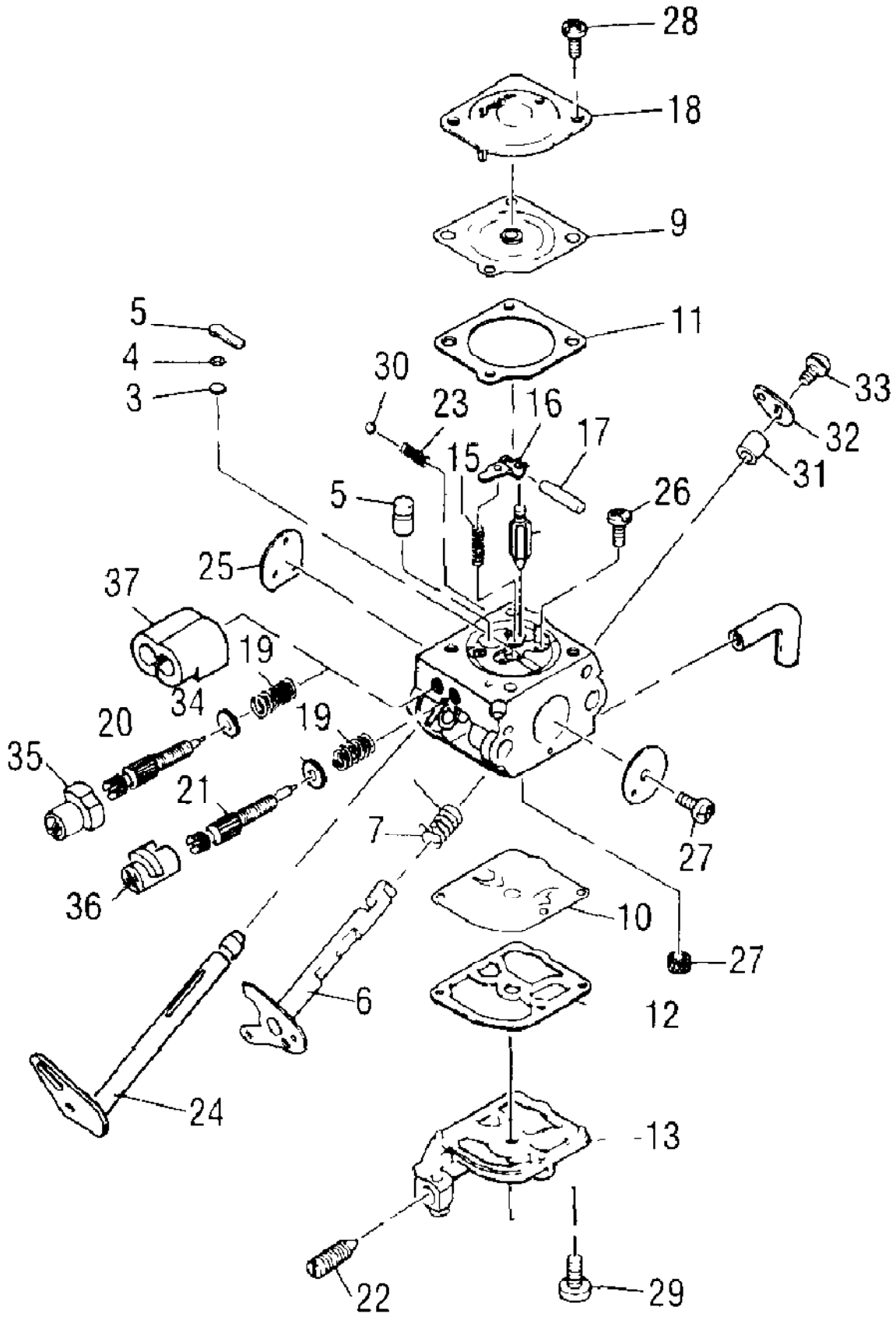
No  
Diagram  
Available  
  
Parts List  
Only

Ref #	Part Number	Qty	Description
	21423533		BAR MPG370GLX49cl 14"
	21423633		BAR MPG370GLX54cl 16"
	21927633		BAR MPG370GLX60cl 18"
	21491933		CHAIN MPG370GLX49cl 14"
	21492533		CHAIN MPG370GLX54cl 16"
	21927533		CHAIN MPG370GLX60cl 18"
	30199233		FILE AND GUIDE
	21421733		FILE



Ref #	Part Number	Qty	Description
	32365304		Carburetor Walbro WT 438 Distributor stocked. Medium to slow moving part.
	32365404		Carburetor Walbro WT 439 Distributor stocked. Medium to slow moving part.
1		1	Strainer Not available individually, included in Carburetor Asy.
2		1	Plug Welch Not available individually, included in Carburetor Asy.
3		1	Valve Check Not available individually, included in Carburetor Asy.
4		1	Retainer, Check Valve Not available individually, included in Carburetor Asy.
5		1	Nozzle Asy Check Valve Not available individually, included in Carburetor Asy.
6		1	Shaft Asy, Throttle Not available individually, included in Carburetor Asy.
7		1	Spring Throttle Return Not available individually, included in Carburetor Asy.
8		1	Valve, Throttle Not available individually, included in Carburetor Asy.
9		1	Diaphragm Asy, metering Not available individually, included in Carburetor Asy.
10		1	Diaphragm, Pump Not available individually, included in Carburetor Asy.
11		1	Gasket, metering Chamber Not available individually, included in Carburetor Asy.
12		1	Gasket Pump Not available individually, included in Carburetor Asy.
13		1	Cover Pump Not available individually, included in Carburetor Asy.
14		1	Valve Inlet Needle Not available individually, included in Carburetor Asy.
15		1	Spring, metering Lever Not available individually, included in Carburetor Asy.
16		1	Lever metering Not available individually, included in Carburetor Asy.
17		1	Pie Not available individually, included in Carburetor Asy.
18		1	Cover metering Chamber Not available individually, included in Carburetor Asy.
19		2	Spring Adjust Screw Not available individually, included in Carburetor Asy.
20		1	Screw Main Mixture Not available individually, included in Carburetor Asy.

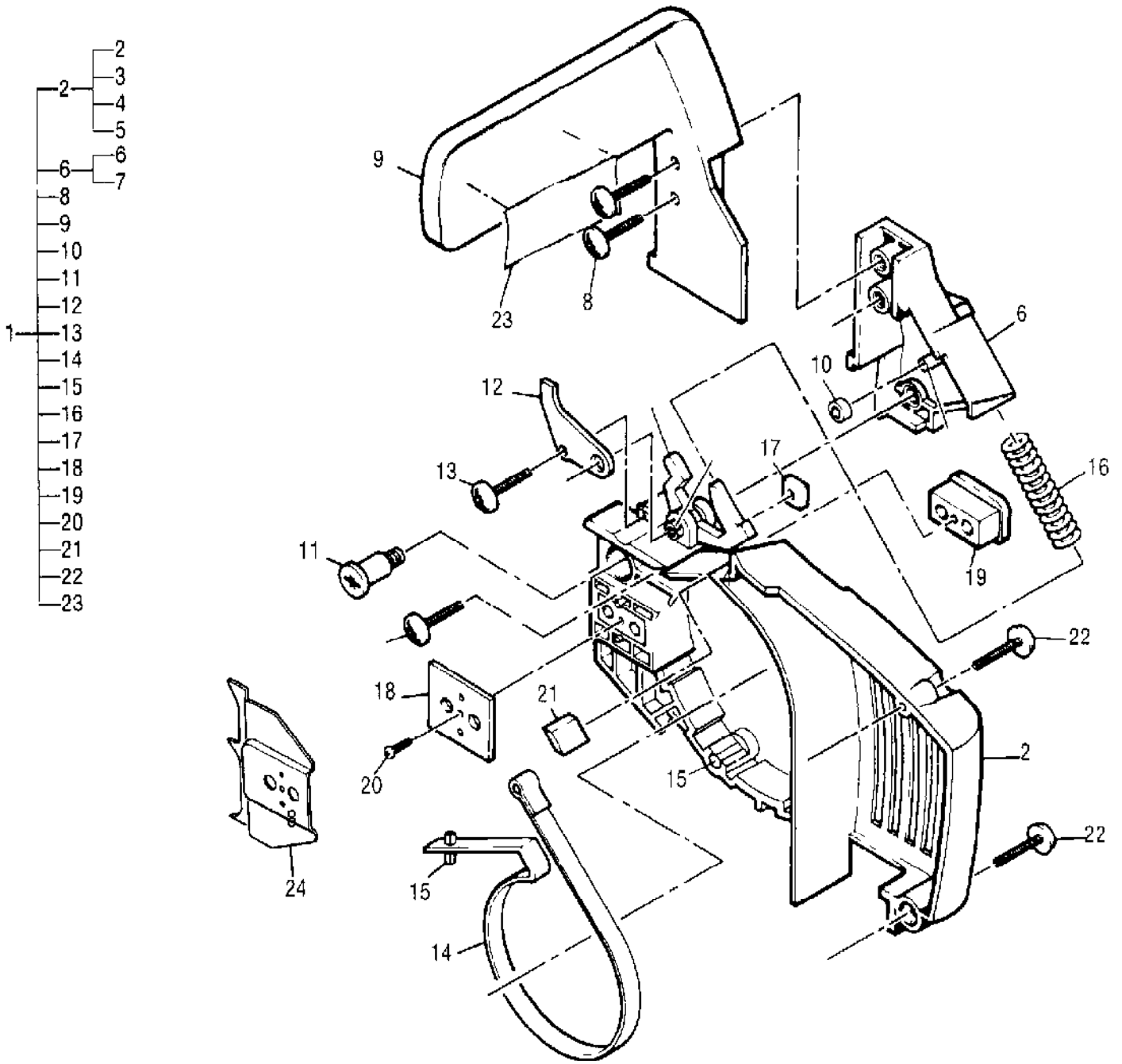
Ref #	Part Number	Qty	Description
21		1	Screw, Idle Mixture Not available individually, included in Carburetor Asy.
22		1	Screw Throttle Adjust Not available individually, included in Carburetor Asy.
23		4	Spring Friction Not available individually, included in Carburetor Asy.
24		1	Shaft Asy Choke Not available individually, included in Carburetor Asy.
25		1	Valve, Choke Not available individually, included in Carburetor Asy.
26		1	Screw, Pin Not available individually, included in Carburetor Asy.
27		1	Screw Throttle/Choke Valve Not available individually, included in Carburetor Asy.
28		2	Screw metering Chamber Not available individually, included in Carburetor Asy.
29		1	Screw, Pump Cover Not available individually, included in Carburetor Asy.
30		1	Ball, Steel Not available individually, included in Carburetor Asy.
31		1	Collar Not available individually, included in Carburetor Asy.
32		1	Lever, Throttle Not available individually, included in Carburetor Asy.
33		1	Screw Throttle Lever Not available individually, included in Carburetor Asy.
34		2	Washer Limiter Not available individually, included in Carburetor Asy.
35	325465	1	Cap, Limiter, Hi Included in Carburetor Asy.; Distributor stocked. Medium to slow moving part.
36	325466	1	Cap Limiter Lo Included in Carburetor Asy.; Distributor stocked. Medium to slow moving part.
37		1	Retainer, Limiter Not available individually, included in Carburetor Asy.
	324013		Kit, Carburetor Repair A1128WT
	324009		Kit, Gasket/Diaphragm B1110WT



Ref #	Part Number	Qty	Description
	32365303		Carburetor, Zama CU1M28C Distributor stocked. Medium to slow moving part.
	32365403		Carburetor, Zama CU1M33C Distributor stocked. Medium to slow moving part.
	32494701		Carburetor, Zama C1QM36 Distributor stocked. Medium to slow moving part.
1		1	Strainer Not available individually. Included in Carburetor Asy.
2		1	Plug, Welch Not available individually. Included in Carburetor Asy.
3		1	Valve, Check Not available individually. Included in Carburetor Asy.
4		1	Retainer, Check Valve Not available individually. Included in Carburetor Asy.
5		1	Nozzle Asy, Check Valve Not available individually. Included in Carburetor Asy.
6		1	Shaft Asy, Throttle Not available individually. Included in Carburetor Asy.
7		1	Spring, Throttle Return Not available individually. Included in Carburetor Asy.
8		1	Valve, Throttle Not available individually. Included in Carburetor Asy.
9		1	Diaphragm Asy, metering Not available individually. Included in Carburetor Asy.
10		1	Diaphragm, Pump Not available individually. Included in Carburetor Asy.
11		1	Gasket, metering Chamber Not available individually. Included in Carburetor Asy.
12		1	Gasket, Pump Not available individually. Included in Carburetor Asy.
13		1	Cover, Pump Not available individually. Included in Carburetor Asy.
14		1	Valve, Inlet Needle Not available individually. Included in Carburetor Asy.
15		1	Spring, metering Lever Not available individually. Included in Carburetor Asy.
16		1	Lever, metering Not available individually. Included in Carburetor Asy.
17		1	Pin Not available individually. Included in Carburetor Asy.
18		1	Cover, metering Chamber Not available individually. Included in Carburetor Asy.
19		2	Spring, Adjust Screw Not available individually. Included in Carburetor Asy.

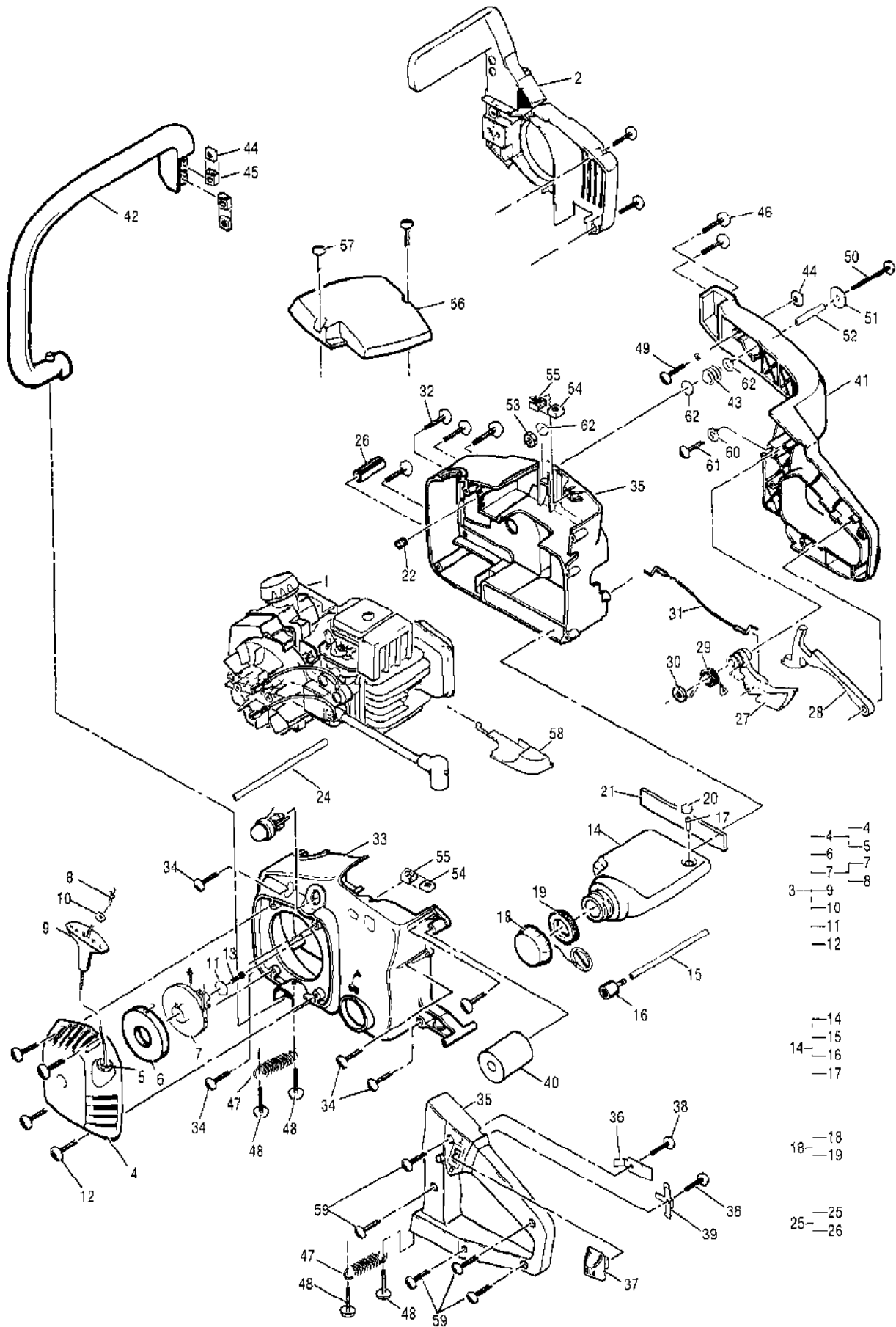
Ref #	Part Number	Qty	Description
20		1	Screw, Main Mixture Not available individually. Included in Carburetor Asy.
21		1	Screw, Idle Mixture Not available individually. Included in Carburetor Asy.
22		1	Screw,Throttle Adjust Not available individually. Included in Carburetor Asy.
23		4	Spring, Friction Not available individually. Included in Carburetor Asy.
24		1	Shaft Asy, Choke Not available individually. Included in Carburetor Asy.
25		1	Valve, Choke Not available individually. Included in Carburetor Asy.
26		1	Screw, Pin Not available individually. Included in Carburetor Asy.
27		1	Screw, Throttle/Choke Valve Not available individually. Included in Carburetor Asy.
28		2	Screw, metering Chamber Not available individually. Included in Carburetor Asy.
29		1	Screw, Pump Cover Not available individually. Included in Carburetor Asy.
30		1	Ball, Steel Not available individually. Included in Carburetor Asy.
31		1	Collar Not available individually. Included in Carburetor Asy.
32		1	Lever, Throttle Not available individually. Included in Carburetor Asy.
33		1	Screw, Throttle Lever Not available individually. Included in Carburetor Asy.
34		2	Washer, Limiter Not available individually. Included in Carburetor Asy.
35	111216	1	Cap, Limiter, Hi Included in Carburetor Asy.; Distributor stocked. Medium to slow moving part.
36	111217	1	Cap, Limiter, Lo Included in Carburetor Asy.; Distributor stocked. Medium to slow moving part.
37		1	Retainer, Limiter Not available individually. Included in Carburetor Asy.
	301041		Kit, Carburetor Repair RB-39
	301042		Kit, Gasket/Diaphragm GND-35





Ref #	Part Number	Qty	Description
1	301558	1	Brake Kit Asy, Yellow Choose appropriate color; Factory stocked. Slow moving part.
	301557	1	Brake Kit Asy, Black Choose appropriate color; Factory stocked. Slow moving part.
2	301559	1	Housing Kit Asy, Yellow Choose appropriate color; Factory stocked. Slow moving part.
	301560	1	Housing Kit Asy, Black Choose appropriate color; Factory stocked. Slow moving part.
3	216755	1	Latch, Chain Brake Factory stocked. Slow moving part.
4		1	Dowel, Spring Not available individually.
5		2	Pin, Dowel Not available individually.
6	301038	1	Lever, Actuating Distributor stocked. Medium to slow moving part.
7		1	Pin, Dowel Not available individually.
8	111226	3	Screw, 10-24 x .62 Tr Hd Torx Dealer stocked. Fast to medium moving part.
9	323082	1	Guard, Hand Dealer stocked. Fast to medium moving part.
10	224849	1	Roller Distributor stocked. Medium to slow moving part.
11	224847	1	Screw, Shoulder Distributor stocked. Medium to slow moving part.
12	224848	1	Stop, Brake Distributor stocked. Medium to slow moving part.
13	300294	1	Screw, 8-16 x .75 Tr Hd Plastite Dealer stocked. Fast to medium moving part.
14	301037	1	Band, Brake Dealer stocked. Fast to medium moving part.
15		1	Pin, Spring (.125 x .50) Not available individually.
16	322204	1	Spring, Compression Dealer stocked. Fast to medium moving part.
17	218005	1	Nut, Square 10-24 Dealer stocked. Fast to medium moving part.
18	300275	1	Shield Distributor stocked. Medium to slow moving part.
19	300271	1	Spacer, Bar Pad Distributor stocked. Medium to slow moving part.
20	111101	1	Screw, 4-40 x 5/16 Taptite Factory stocked. Slow moving part.
21	322194	1	Seal, Foam Dealer stocked. Fast to medium moving part.
22	300299	2	Screw, 8-16 x 1.0 Tr Hd Plastite Distributor stocked. Medium to slow moving part.

Ref #	Part Number	Qty	Description
23	4670341	1	Label, Safety Distributor stocked. Medium to slow moving part.
24	322181	1	Spike, Bucking Optional equipment; Distributor stocked. Medium to slow moving part.



Ref #	Part Number	Qty	Description
1			Powerhead Asy See "Powerhead Assembly" illustration and parts list.
2			Chain Brake Asy See "Chain Brake Assembly" illustration and parts list.
3	300858	1	Starter Housing Asy, Grey Choose appropriate color; Factory stocked. Slow moving part.
	300264	1	Starter Housing Asy, Yellow Choose appropriate color; Dealer stocked. Fast to medium moving part.
	301078	1	Starter Housing Asy, Black Choose appropriate color; Factory stocked. Slow moving part.
4	301651	1	Housing/Rope Guide Asy, Grey Choose appropriate color; Factory stocked. Slow moving part.
	301044	1	Housing/Rope Guide Asy, Yellow Choose appropriate color; Distributor stocked. Medium to slow moving part.
	301654	1	Housing/Rope Guide Asy, Black Choose appropriate color; Factory stocked. Slow moving part.
5		1	Rope Guide Not available individually
6	300475	1	Spring, Starter Rewind Dealer stocked. Fast to medium moving part.
7	301043	1	Rope/Drum Asy (32cc) Dealer stocked. Fast to medium moving part.
8	300300	1	Rope, Starter 50 inch Dealer stocked. Fast to medium moving part.
9	87851	1	Handle, Starter Dealer stocked. Fast to medium moving part.
10	223944	1	Bushing, Starter Dealer stocked. Fast to medium moving part.
11	300297	1	Washer, 19 ID x 68 OD Dealer stocked. Fast to medium moving part.
12	300294	1	Screw, 8-16 x .75 Torx Hd Plast Dealer stocked. Fast to medium moving part.
13	300294	4	Screw, 8-16 x .75 Torx Hd Plastite Dealer stocked. Fast to medium moving part.
14	300260	1	Oil Tank Asy Distributor stocked. Medium to slow moving part.
15	300289	1	Hose, Oil Pick-up Dealer stocked. Fast to medium moving part.
16	225062	1	Filter, Oil Dealer stocked. Fast to medium moving part.
17	300256	1	Valve, Duckbill Dealer stocked. Fast to medium moving part.
18	300565	1	Oil Cap Asy w/Retainer Dealer stocked. Fast to medium moving part.

Ref #	Part Number	Qty	Description
19	300269	1	Gasket, Oil Cap Dealer stocked. Fast to medium moving part.
20	300259	1	Filter, Foam Dealer stocked. Fast to medium moving part.
21	322195	1	Spacer, Oil Tank Distributor stocked. Medium to slow moving part.
22	300259	1	Filter, Foam Dealer stocked. Fast to medium moving part.
23	22424202	1	Primer, Remote Dealer stocked. Fast to medium moving part.
24	300298	1	Hose Dealer stocked. Fast to medium moving part.
25	301056	1	Housing/Pin Asy, Right Distributor stocked. Medium to slow moving part.
26	111098	1	Pin, Roll 1/4 x 1.0 L Distributor stocked. Medium to slow moving part.
27	224821	1	Trigger, Throttle Dealer stocked. Fast to medium moving part.
28	224822	1	Latch, Throttle Distributor stocked. Medium to slow moving part.
29	224823	1	Spring, Torsional Dealer stocked. Fast to medium moving part.
30	111128	1	"O" Ring Distributor stocked. Medium to slow moving part.
31	322409	1	Cable, Throttle Distributor stocked. Medium to slow moving part.
32	111226	4	Screw, 10-24 x .62 Tr Hd Torx Dealer stocked. Fast to medium moving part.
33	32394761	1	Engine Housing, Left, AV, Blk Choose Appropriate Color; Distributor stocked. Medium to slow moving part.
	32394762	1	Engine Housing, Left, AV, Grey Choose Appropriate Color; Factory stocked. Slow moving part.
34	300294	5	Screw, 8-16 x .75 Tr Hd, Plastite Dealer stocked. Fast to medium moving part.
35	322164	1	Handle, Left Rear, Black, AV Distributor stocked. Medium to slow moving part.
36	322178	1	Contact, Ground Stud, AV Distributor stocked. Medium to slow moving part.
37	68846	1	Button, Stop Switch Dealer stocked. Fast to medium moving part.
38	223357	2	Screw, 8-16 Plastite Dealer stocked. Fast to medium moving part.
39	224844	1	Contact, Ignition Distributor stocked. Medium to slow moving part.

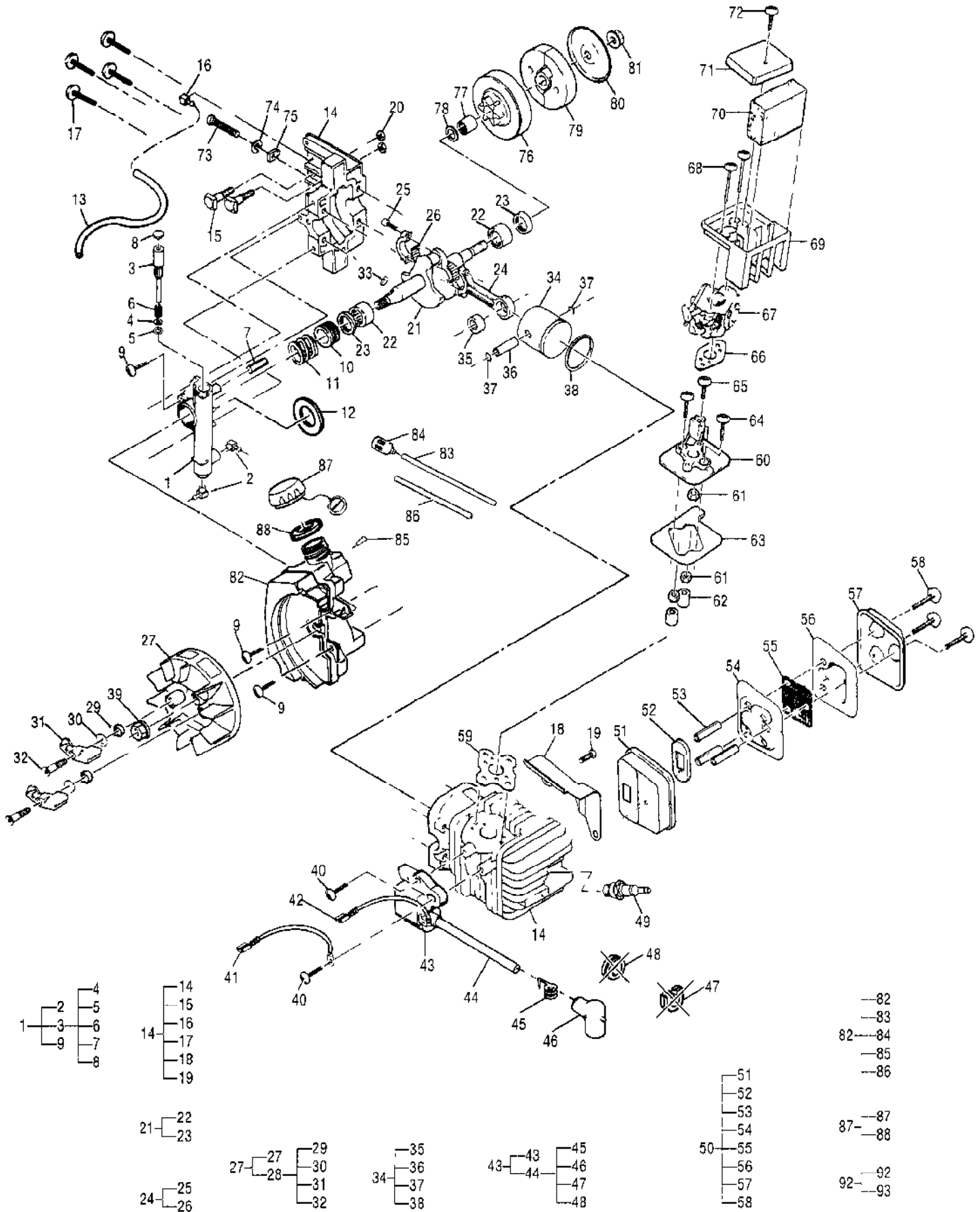
Ref #	Part Number	Qty	Description
40	322193	1	Isolator, Rubber Dealer stocked. Fast to medium moving part.
41	322163	1	Handle, Right Rear, Black Dealer stocked. Fast to medium moving part.
42	32216201	1	Handle, Front Dealer stocked. Fast to medium moving part.
43	322165	1	Spring, Extension Dealer stocked. Fast to medium moving part.
44	218005	3	Nut, Square 10-24 Dealer stocked. Fast to medium moving part.
45	300292	2	Retainer, Nut Dealer stocked. Fast to medium moving part.
46	111226	2	Screw, 10-24 x .62 Tr Hd Torx Dealer stocked. Fast to medium moving part.
47	322166	2	Spring, Extension Dealer stocked. Fast to medium moving part.
48	300294	4	Screw, 8-16 x .75 Tr hd Plastite Dealer stocked. Fast to medium moving part.
49	217935	1	Screw, 10-24 x .50 Tr Torx Dealer stocked. Fast to medium moving part.
50	218083	1	Screw, 10-24 x 2.0 Tr Torx Dealer stocked. Fast to medium moving part.
51	322176	1	Washer, 2.0 x 7.8 in. OD Dealer stocked. Fast to medium moving part.
52	322175	1	Spacer, 0.2 ID x 1.0 Lg Distributor stocked. Medium to slow moving part.
53	111135	1	Nut, Hex Lock 10-24 Distributor stocked. Medium to slow moving part.
54	218005	2	Nut, Square 10-24 Dealer stocked. Fast to medium moving part.
55	300292	2	Retainer, Nut Dealer stocked. Fast to medium moving part.
56	224830	1	Cover, Air Filter Choose appropriate color; Distributor stocked. Medium to slow moving part.
	322834	1	Cover, Air Filter, Grey Choose appropriate color; Factory stocked. Slow moving part.
57	111099	2	Screw, 10-24 x .625 Pn Hd Torx Dealer stocked. Fast to medium moving part.
58	22482601	1	Rod, Choke Dealer stocked. Fast to medium moving part.
59	300294	5	Screw, 8-16 x .75 Tr Hd Plastite Dealer stocked. Fast to medium moving part.
60	300297	1	Washer, .19 ID x .68 OD Dealer stocked. Fast to medium moving part.

Ref #	Part Number	Qty	Description
61	300294	1	Screw, 8-16 x .75 Tr Hd Plastite Dealer stocked. Fast to medium moving part.
62	93469	3	Washer, .469 OD x .222 ID Dealer stocked. Fast to medium moving part.



No  
Diagram  
Available  
  
Parts List  
Only

Ref #	Part Number	Qty	Description
	32223502		Loctite Kit
	322236		Retaining Compound 620 (10 ml)
	322237		Thread Locker 242 (10 ml)
	322238		Gasket Eliminator 518 (50 ml)
	32223901		Black Max 380 (3 ml)
	323749		Thread Locker 262 (10 ml)
	323762		Anti-Seize lubricant 767 (30 ml)



- 1 — 2
- 1 — 3
- 1 — 9
- 4
- 5
- 6
- 7
- 8

- 14 — 14
- 14 — 15
- 14 — 16
- 14 — 17
- 14 — 18
- 14 — 19

- 21 — 22
- 21 — 23

- 27 — 27
- 27 — 28
- 29
- 30
- 31
- 32

- 34 — 35
- 34 — 36
- 34 — 37
- 34 — 38

- 43 — 43
- 43 — 44
- 45
- 46
- 47
- 48

- 50 — 51
- 50 — 52
- 50 — 53
- 50 — 54
- 50 — 55
- 50 — 56
- 50 — 57
- 50 — 58

- 82 — 82
- 82 — 83
- 82 — 84
- 85
- 86

- 87 — 87
- 87 — 88

- 92 — 92
- 92 — 93

Ref #	Part Number	Qty	Description
1	301304	1	Oil Pump Asy Dealer stocked. Fast to medium moving part.
2	322182	2	Fitting Distributor stocked. Medium to slow moving part.
3	301084	1	Kit, Gear/Plunger Asy Dealer stocked. Fast to medium moving part.
4	110582	1	Washer Dealer stocked. Fast to medium moving part.
5		1	O-Ring Not available individually
6		1	Spring Not available individually
7		1	Pin, Dowel Not available individually
8	322187	1	Plug, Oil Pump Distributor stocked. Medium to slow moving part.
9	111226	2	Screw, 10-24 x .62 Tr Hd Torx Dealer stocked. Fast to medium moving part.
10	224814	1	Worm Gear Dealer stocked. Fast to medium moving part.
11	224840	1	Spring, Compression Dealer stocked. Fast to medium moving part.
12	300295	1	Seal, Foam, Oil Pump Dealer stocked. Fast to medium moving part.
13	300288	1	Connecting Hose Dealer stocked. Fast to medium moving part.
14	301055	1	Cyl/C'case/Bar Bolt Asy, 38cc Dealer stocked. Fast to medium moving part.
15	8385601	2	Bolt, Bar Dealer stocked. Fast to medium moving part.
16	300257	1	Fitting Distributor stocked. Medium to slow moving part.
17	111083	4	Screw, 12-24 x 1.0 Hx Wshr Hd Dealer stocked. Fast to medium moving part.
18	323923	1	Baffle, Air Factory stocked. Slow moving part.
19	111054	1	Screw, 10-24x.625 Dealer stocked. Fast to medium moving part.
20	110676	2	Nut, Hx 1/4-28 Flange Dealer stocked. Fast to medium moving part.
21	302140	1	Crankshaft/Bearing Asy Distributor stocked. Medium to slow moving part.
22	213282	2	Bearing, C'shaft Dealer stocked. Fast to medium moving part.
23	83859	2	Seal, C'shaft Oil Dealer stocked. Fast to medium moving part.
24	9413501	1	Connecting Rod/Bearing Asy Dealer stocked. Fast to medium moving part.
25	94654	2	Screw, Conn Rod Distributor stocked. Medium to slow moving part.

Ref #	Part Number	Qty	Description
26	68095	1	Set, Roller Pins Distributor stocked. Medium to slow moving part.
27	302220	1	Flywheel/Pawl Asy Distributor stocked. Medium to slow moving part.
28	30076301	2	Kit, Flywheel Pawls Dealer stocked. Fast to medium moving part.
29	216982	2	Spring, Starter Pawl Dealer stocked. Fast to medium moving part.
30	111131	2	Washer, Sp .469 OD x .222 ID Factory stocked. Slow moving part.
31		2	Pawls Not available individually
32	322721	2	Pin, Starter Pawl Dealer stocked. Fast to medium moving part.
33	102164	1	Key, Flywheel Dealer stocked. Fast to medium moving part.
34	30105401	1	Kit, Piston, 38cc Dealer stocked. Fast to medium moving part.
35	323930	1	Bearing, Needle- Drawn Cup Factory stocked. Slow moving part.
36	323943	1	Pin, Piston Dealer stocked. Fast to medium moving part.
37	111026	2	Ring, Snap Dealer stocked. Fast to medium moving part.
38		1	Piston, Ring, 38cc Not available individually
39	110961	1	Nut, Hx 5/16-24 Dealer stocked. Fast to medium moving part.
40	217936	2	Screw, Tr 10-24 x 75 Torx Dealer stocked. Fast to medium moving part.
41	300555	1	Wire Asy, Ground Distributor stocked. Medium to slow moving part.
42	300556	1	Wire Asy, Stop Switch Distributor stocked. Medium to slow moving part.
43	302138	1	Ignition Asy Dealer stocked. Fast to medium moving part.
44	223884	1	Kit, Plug Wire Dealer stocked. Fast to medium moving part.
45	102556	1	Connector Dealer stocked. Fast to medium moving part.
46	95266	1	Boot Dealer stocked. Fast to medium moving part.
47	110995	1	Grommet Not used on these models; Distributor stocked. Medium to slow moving part.
48	21553301	1	Grommet Not used on these models; Distributor stocked. Medium to slow moving part.
49	322208	1	Spark Plug RDJ7Y Dealer stocked. Fast to medium moving part.

Ref #	Part Number	Qty	Description
50	301045	1	Muffler Asy Distributor stocked. Medium to slow moving part.
51	300280	1	Body Factory stocked. Slow moving part.
52	300281	1	Plate, Reinforcing Factory stocked. Slow moving part.
53	300284	3	Spacer Factory stocked. Slow moving part.
54	300282	1	Baffle, Inner Muffler Factory stocked. Slow moving part.
55	300286	1	Screen, Spark Arrester Distributor stocked. Medium to slow moving part.
56	300283	1	Baffle, Outer Factory stocked. Slow moving part.
57	323637	1	Cover, Muffler Factory stocked. Slow moving part.
58	111093	3	Screw, 10-24 x 1.75 Tr Hd Torx Distributor stocked. Medium to slow moving part.
59	300265	1	Gasket, Insulator Dealer stocked. Fast to medium moving part.
60	224820	1	Insulator, Carburetor Dealer stocked. Fast to medium moving part.
61	218315	3	Nut, Hx 10-24 Dealer stocked. Fast to medium moving part.
62	322188	2	Spacer, Rubber Dealer stocked. Fast to medium moving part.
63	224850	1	Seal, Foam Dealer stocked. Fast to medium moving part.
64	217937	2	Screw, Tr 10-24 x 1.00 Torx Distributor stocked. Medium to slow moving part.
65	217936	1	Screw, Tr 10-24 x .75 Torx Dealer stocked. Fast to medium moving part.
66	300293	1	Gasket, Carburetor Dealer stocked. Fast to medium moving part.
67		1	Carburetor/Choke Asy See "Carburetor Assembly" illustrations and parts lists.
68	218083	2	Screw, Tr 10-24 x 2.0 Torx Dealer stocked. Fast to medium moving part.
69	224824	1	Box, Air Filter Factory stocked. Slow moving part.
70	224831	1	Filter, Air Dealer stocked. Fast to medium moving part.
71	224825	1	Shield, Carburetor Distributor stocked. Medium to slow moving part.
72	111055	1	Screw, 10-14 x .625 Plastite Dealer stocked. Fast to medium moving part.
73	223088	1	Screw, Adjusting Dealer stocked. Fast to medium moving part.
74	110907	1	Ring, Retaining Dealer stocked. Fast to medium moving part.

Ref #	Part Number	Qty	Description
75	68656	1	Nut, Bar Adjusting Dealer stocked. Fast to medium moving part.
76	302768	1	Drum/Sprocket/Bearing Asy Dealer stocked. Fast to medium moving part.
77	91117	1	Bearing Dealer stocked. Fast to medium moving part.
78	215259	1	Washer, Sprocket Distributor stocked. Medium to slow moving part.
79	301463	1	Kit, Clutch Asy Dealer stocked. Fast to medium moving part.
80	300276	1	Plate, Dust Distributor stocked. Medium to slow moving part.
81	111079	1	Nut, Clutch, 5/16-24 LH Dealer stocked. Fast to medium moving part.
82	301834	1	Fuel Tank Asy Dealer stocked. Fast to medium moving part.
83	300289	1	Hose, Fuel Pickup Dealer stocked. Fast to medium moving part.
84	216985	1	Filter, Fuel Dealer stocked. Fast to medium moving part.
85	322199	1	Valve, Duckbill Dealer stocked. Fast to medium moving part.
86	300290	1	Hose, Primer Retain Dealer stocked. Fast to medium moving part.
87	300564	1	Cap, Fuel Asy, w/Retainer Dealer stocked. Fast to medium moving part.
88	300267	1	Gasket, Fuel Cap Dealer stocked. Fast to medium moving part.
92			UNKNOWN
93			UNKNOWN



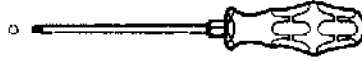
111124



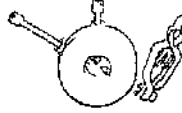
222785



217720



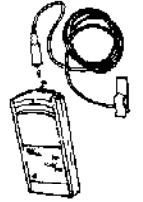
323754



323330



215432-01



91424



Ref #	Part Number	Qty	Description
111124	111124		T-27 Torx Dr 3.5 in.
222785	222785		T-25 Torx Dr 3.5 in.
217720	217720		Torx Dr Set
323754	323754		Torx Dr Bit Sizes: Tx 10, 15, 20, 25, 27, 30 (Set of 6)
323330	323330		Ignition Tester
21543201	21543201		Pressure Test Tool
91424	91424		Tachometer