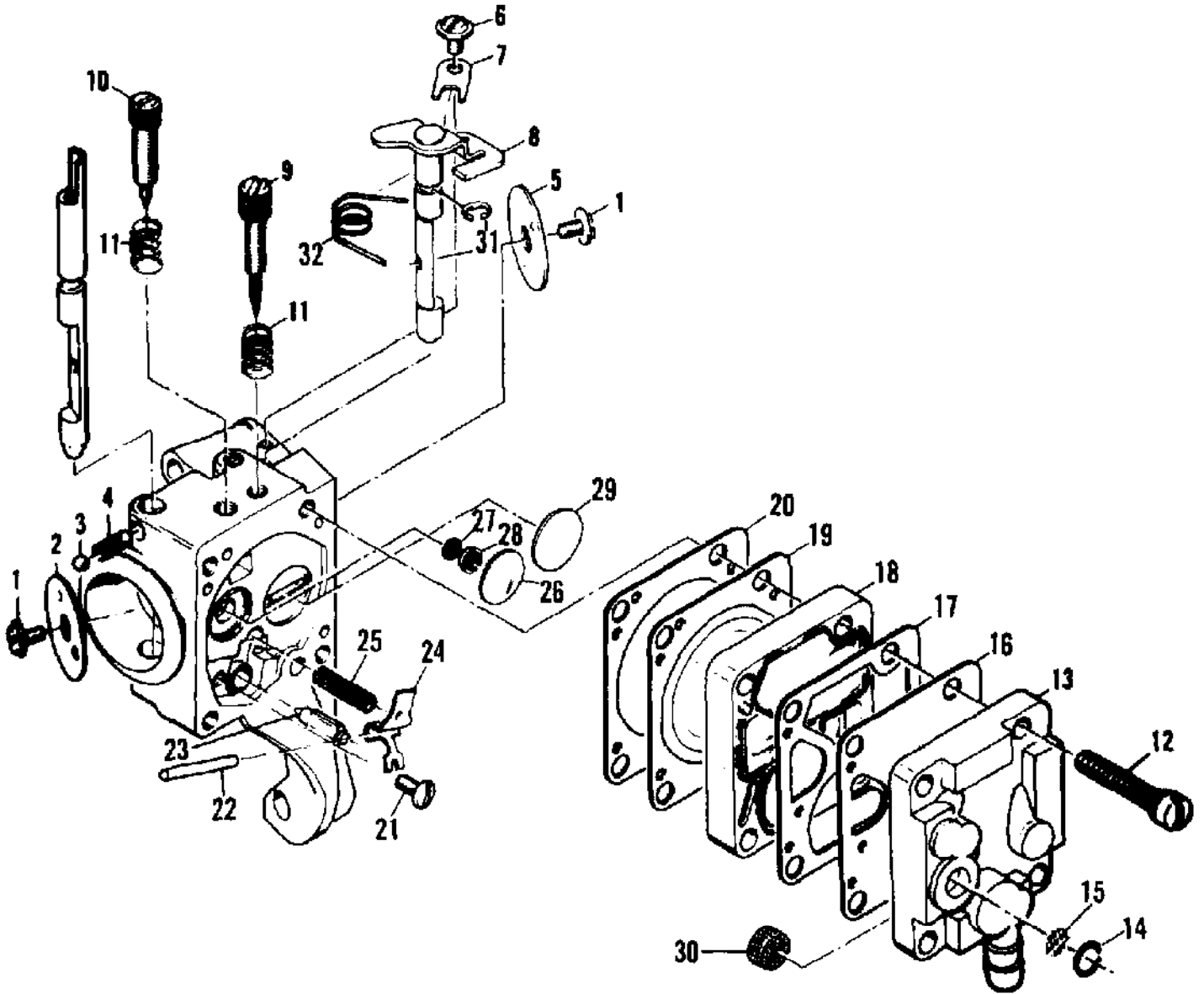
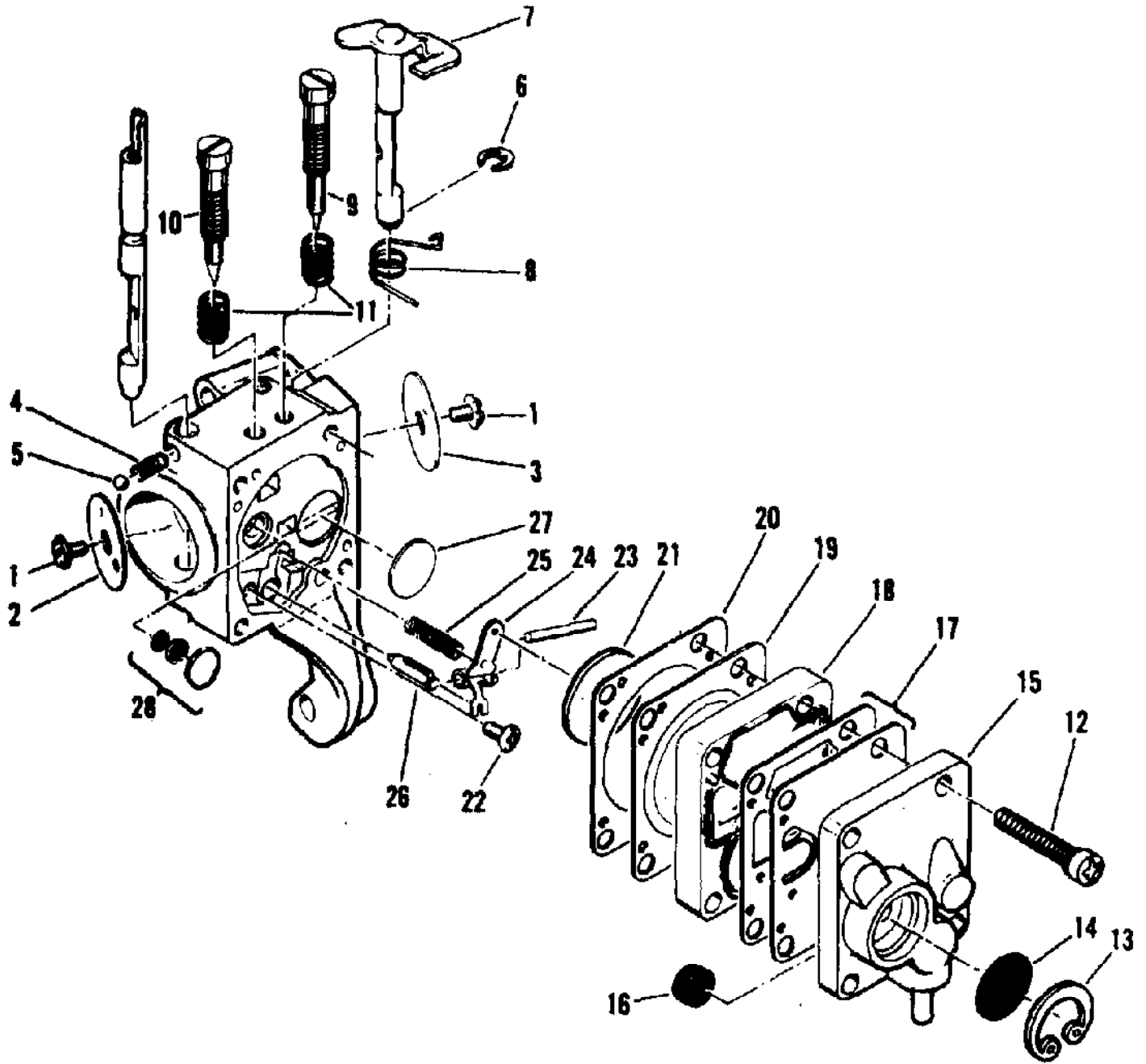


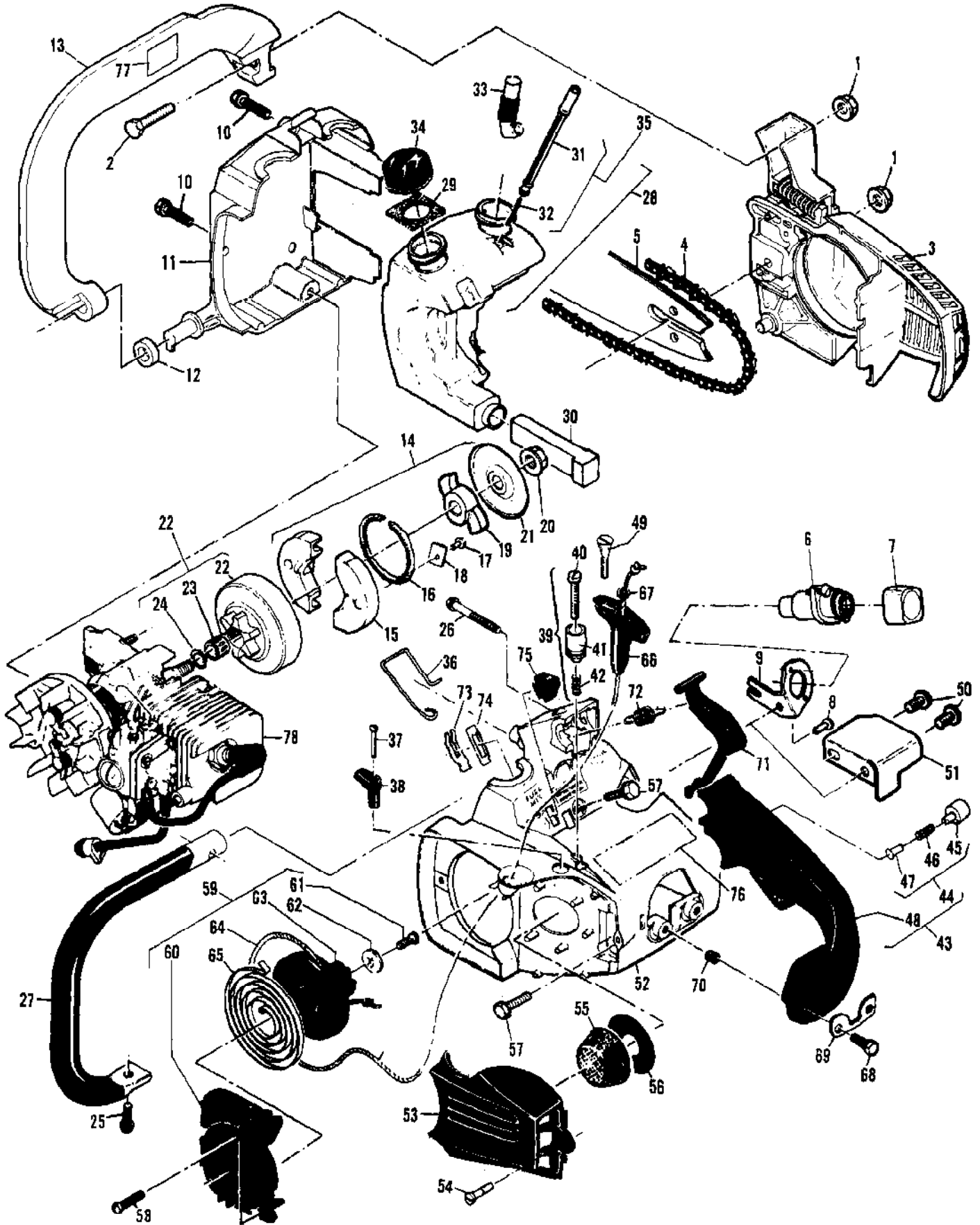
Ref #	Part Number	Qty	Description
A	216551	1	Brake Assembly - Chain
B	216416	1	Brake Assembly - Chain
1	111047	1	Screw - Pan Hd 8-32 x .625
2	94709	1	Band - Brake
3	215758	1	Kit - Latch
4	216755	1	Latch
5	215721	1	Spring - Compression
6	93602	1	Pivot - Latch
7	216549	1	Pivot - Lever
8	92867	1	Lever
9	213907	1	Pin - Roller
10	214368	1	Bearing - Roller
11	90658	1	Screw - Adjusting
12	110907	1	Ring - Retaining
13	84929	1	Nut - Bar Adjusting
14A	216553	1	Housing - Brake
14B	216414	1	Housing - Brake



Ref #	Part Number	Qty	Description
	214082-02		CARBURETOR ASSY - WALBRO MDC 16
1		2	SCREW - PLATE Not available separately.
2		1	PLATE - CHOKE Not available separately.
3		1	BALL - CHOKE FRICTION Not available separately.
4		1	SPRING - CHOKE FRICTION Not available separately.
5		1	PLATE - THROTTLE Not available separately.
6		1	SCREW - CLIP Not available separately.
7		1	CLIP - THROTTLE SHAFT Not available separately.
8		1	SHAFT ASSEMBLY - THROTTLE. Not available separately.
9		1	NEEDLE - IDLE Not available separately.
10		1	NEEDLE - HIGH SPEED Not available separately.
11		2	SPRING - NEEDLE Not available separately.
12		4	SCREW ASSEMBLY - BODY Not available separately.
13		1	COVER ASSEMBLY - PUMP Not available separately.
14		1	RING - VENT SCREEN Not available separately.
15		1	VENT - SCREEN Not available separately.
16		1	DIAPHRAGM - FUEL PUMP Not available separately.
17		1	GASKET - METERING DIAPHRAGM Not available separately.
18		1	BODY - FUEL PUMP Not available separately.
19		1	DIAPHRAGM ASSEMBLY - METERING Not available separately.
20		1	GASKET - FUEL PUMP Not available separately.
21		1	SCREW - METERING LEVER PIN Not available separately.
22		1	PIN - METERING LEVER Not available separately.
23		1	VALVE - INLET NEEDLE Not available separately.
24		1	LEVER - METERING Not available separately.
25		1	SPRING - METERING LEVER Not available separately.
26		1	PLUG - WELCH 7/16 Not available separately.
27		1	SCREEN - INLET Not available separately.
28		1	RING - INLET SCREEN Not available separately.
29		1	PLUG - WELCH 1/2 Not available separately.
30		1	SCREEN Not available separately.
31		1	RING - RETAINING Not available separately.
32		1	SPRING - THROTTLE RETURN Not available separately.
	217084		MAJOR REPAIR KIT
	216727		MINOR REPAIR KIT



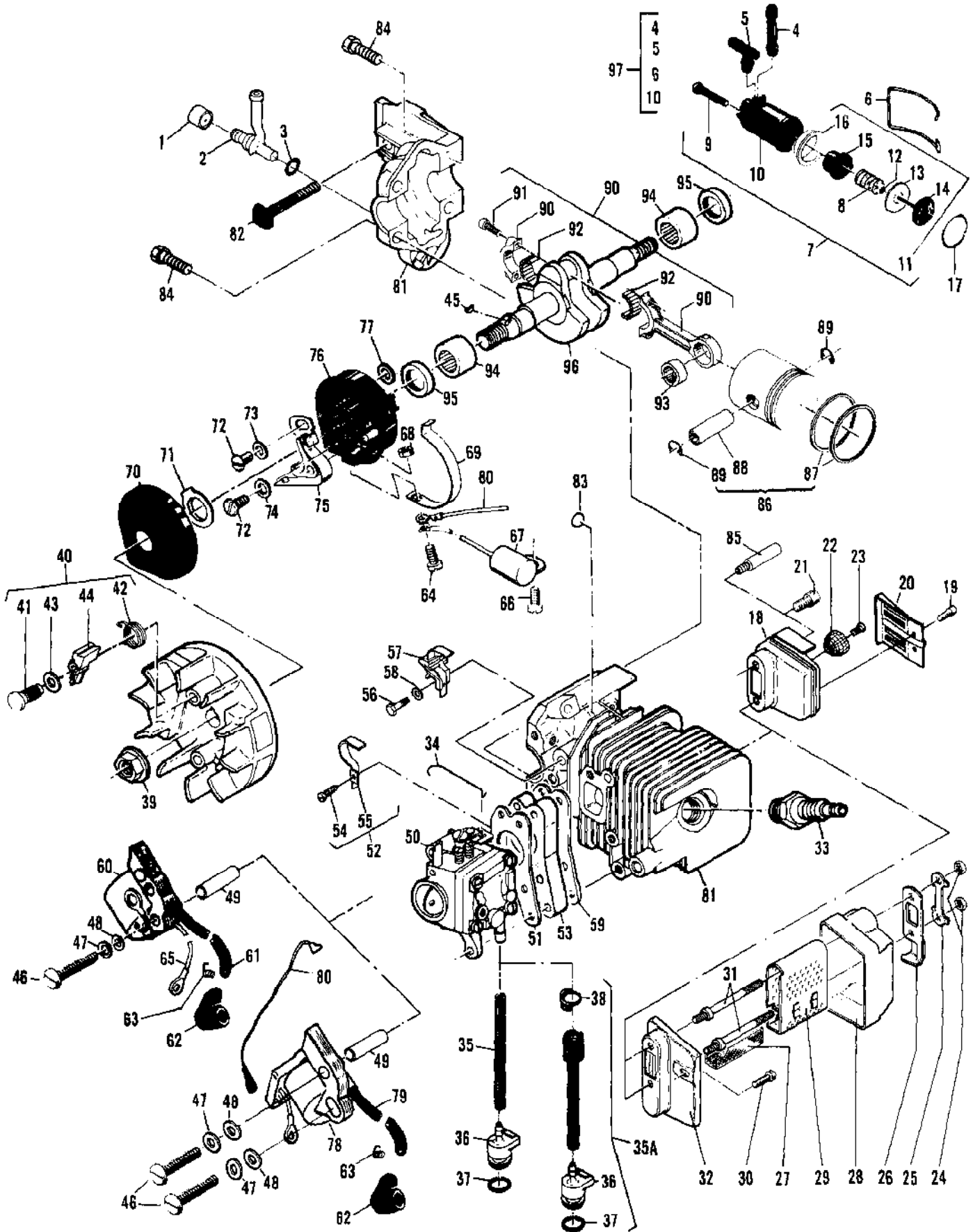
Ref #	Part Number	Qty	Description
	214082-01	1	Carburetor Assy - Zama M1-M7
1		2	Screw - Plate Not available separately.
2		1	Valve - Choke Not available separately.
3		1	Valve - Throttle Not available separately.
4		1	Spring - Choke Not available separately.
5		1	Ball - Friction Not available separately.
6		1	"E" Ring Not available separately.
7		1	Shaft Assembly - Throttle Not available separately.
8		1	Spring - Throttle Return Not available separately.
9		1	Screw - Idle Adjustment Not available separately.
10		1	Screw - Main Adjustment Not available separately.
11		2	Spring - Screw Not available separately.
12		4	Screw - Cover Not available separately.
13		1	"C" Ring Not available separately.
14		1	Strainer Not available separately.
15		1	Cover - Pump Not available separately.
16		1	Screen Not available separately.
17		1	Kit - Pump diaphragm Not available separately.
18		1	Body - Pump Not available separately.
19		1	Diaphragm - Main Not available separately.
20		1	Gasket - Main Not available separately.
21		1	Disk Not available separately.
22		1	Screw Not available separately.
23		1	Pin - Arm Not available separately.
24		1	Arm - Needle Valve Not available separately.
25		1	Spring - Arm Not available separately.
26		1	Valve - Needle Not available separately.
27		1	Plug - Welch Not available separately.
28		1	Valve Assy - Main Nozzle Not available separately.
	217079		Repair Kit
	216722		Gasket/Diaphragm Kit
	217086		Needle Kit



Ref #	Part Number	Qty	Description
1	110676	2	Nut - Hex Head 1/4-28 (65 - 75 in. lb. torque)
2	110972	1	Screw - Hex 1/4-28 x .75
3		1	Brake Assembly - Chain See "Brake Housing Assemblies" illustration and parts list.
4		1	Chain - Saw Not available separately.
5		1	Bar - Guide Not available separately.
6	218886	1	Grinder Assembly
7	215447	1	Knob - Auto Sharp
8	110583	2	Screw - Pn Hd 8-32 x .44 (35 - 40 in. lb. torque)
9	215209	1	Bracket - Auto Sharp
10	110639	2	Screw - Hex Hd 12-24 x 1 (55 - 60 in. lb. torque)
11	218867	1	Cover - Fuel/Oil Tank
12	93194-01	1	Washer - Rubber
13	92479	1	Lever/Handguard
14	213278	1	Kit - Clutch
15	213276	2	Shoe - Clutch
16	93608	1	Spring - Assembly
17		2	Rivet - Flt. 1/8 x .547 Not available separately.
18		2	Plate Not available separately.
19		1	Rotor Not available separately.
20	94244	1	Nut - Clutch (160 - 170 in. lb. torque)
21	94243	1	Plate - Dust
22	215252	1	Drum/Sprocket/Bearing Assembly
23	91222	1	Searing - Needle
24	215259	1	Spacer - Drum
25	110953	1	Screw - Hx Hd 12-24 x .625 (70 - 80 in. lb. torque)
26	110686	1	Screw - Hx Hd 13-16 x 2 (35 - 45 in. lb. torque)
27	214505	1	Frame/Grip Assembly
28	217761	1	Kit - Fuel/Oil Tank
29	91148	1	Seal - Fuel Vent
30	84956	1	Pickup - Fuel
31	217755	1	Piston - Manual Oiler
32	83946	1	Spring - Piston
33	85557	1	Body - Oiler
34	216668	2	Cap - Fuel/Oil
35	217762	1	Rod/Oiler Asy
36	217759	1	Rod - Manual Oiler
31	217755	1	Piston - Manual Oiler
32	83946	1	Spring - Piston
37	110672	1	Screw - Oval Hd 4-40 x 1
38	83870		Knob - Choke
39	93437	1	Latch Assembly - Throttle
40	216440	1	Screw - Throttle Lock
41		1	Latch - Throttle Not available separately.
42		1	Spring - Compression Not available separately.
43	218130	1	Handle/Trigger/Throttle Asy
44	222992	1	Kit - Throttle Latch
45		1	Knob - Throttle Latch Not available separately.
46		1	Spring - Throttle Latch Not available separately.
47		1	Rivet - Flat Not available separately.
48	217908	1	Handle/Safety Trigger Asy
49	68566	1	Screw - Idle Adjustment
50	110807	2	Screw - Pan Hd 8-32 x .312 (35 - 50 in. lb. torque)
51	93290	1	Deflector - Sawdust
52	217015	1	Shroud - Using Auto Sharp



Ref #	Part Number	Qty	Description
	216963	1	Shroud - Non Auto Sharp
53	91853	1	Cover - Air Filter
54	91796	1	Screw - Filter Cover
55	216905	1	Filter - Air
56	84918	1	Washer - Air Seal
57	216490	3	Screw - Hex Hd 12-24 x .76 (70 - 80 in. lb. torque)
58	110959	3	Screw - Hex Hd 8-32 x .50 (15 - 20 in. lb. torque)
59	213255	1	Starter Asy
60	90425	1	Housing - Starter
61	110041	1	Screw - Pan Hd 8-32 x .50 (20 - 25 in. lb. torque)
62	68497	1	Washer - Special
63	213257	1	Drum/Rope Assembly
64	83203	1	Rope - Starter
65	83078	1	Spring - Rewind
66	91255	1	Handle Asy-Starter
67	105490	1	Washer - Starter Handle
68	110953	2	Screw - Hex Hd 12-24 x .625 (20 - 25 in. lb. torque)
69	84520-01	1	Plate - Washer
70	84519	2	Sleeve - Handle
71	217909	1	Trigger - Throttle
72	83940	1	Spring - Trigger Return
73	83935	1	Contact - Switch
74	83936	1	Protector - Switch
75	83934	1	Button - Switch
76	218853	1	Decal - 2.0 Cu. In.
77	219058	1	Label - Safety
78		1	Powerhead Asy See "Powerhead Assembly" illustration and parts list.



Ref #	Part Number	Qty	Description
1	86438	1	Valve - Check
2	217156	1	Connector - Oil Tank/Bar Pad
3	105603	1	Ring - "O" Spacer
4	217168	1	Connector - Pump/Bar Pad
5	217167	1	Connector - Pump/Oil Tank
6	83896	1	Bail - Pump Retaining
7	219989	1	Pump Assembly - Oil
8	83891	1	Spring - Return
9	110651	1	Screw - Oil Flow Adjustment
10		1	Body - Pump Not available separately.
11	216426	1	Kit - Oil Pump Repair
12	105603	1	Ring - "O" .114 x .070
13		1	Ring - Oil Pump Piston Not available separately.
14		1	Piston Assembly - Oiler Not available separately.
15	216423	1	Sleeve - Oil Pump
16	216422	1	Eyelet
17	110653	1	Ring - "O"
18	215411	1	Muffler Assembly
19	110681	2	Screw - Skt. Hd. 10-24 x .250 (40 - 45 in. lb. torque)
20	92961	1	Deflector - Exhaust
21	215394	2	Screw - Special (70 - 80 in. lb. torque)
22	214204	1	Kit - Spark Arrestor Screen
23	101987	1	Screw - 6-32 x .250
24	215871	2	Nut - Muffler (40 - 60 in. lb. torque)
25	215471	1	Plate - Lock
26	215412	1	Deflector - Exhaust
27	216805	1	Screen - Spark Arrestor
28	215774	1	Cover
29	215776	1	Baffle
30	213369	1	Screw - Hex Wsh M6 (70 - 85 in. lb. torque)
31	215757	2	Bolt - Shoulder (65 - 85 in. lb. torque)
32	215773	1	Base
33	62345	1	Plug - Spark DJ8J Champion
	92879	1	Plug - Spark RDJ8 Champion
34	89274	1	Red - Throttle
35	89059	1	Hose - Fuel
36	90660	1	Adaptor - Fuel Hose
37	110908	1	Ring - "O" Adaptor
35A	90661	1	Kit - Fuel Hose
36	90660	1	Adaptor Fuel Hose
37	110908	1	Ring - "O"
38	87826	1	Clamp - Fuel Hose
39	216640	1	Nut - Hex 5/16-24 (200 - 220 in. lb. torque)
40	94737	1	Flywheel/Pawl Assembly
41	216984	2	Pin - Pawl
42	216982	2	Spring - Pawl
43	93469	2	Washer - Pawl
44	216983	2	Pawl - Starter
45	102164	1	Key - Woodruff
46	222866	3	Screw - Pan Head 8 - 32 x 1.75
47	105976	3	Washer - Flat 11/64"
48	67177	3	Washer - Insulating
49	68198	3	Tube - Insulating

Ref #	Part Number	Qty	Description
50		1	Carburetor Assemblies See "Carburetor Assembly (Zama M1-M7) illustration and parts list and "Carburetor Assembly (Walbro MDC 16)" illustration and parts list.
51	68197	1	Gasket - Carburetor
52	219389	1	Connector/Insulator Assy
53	219754	1	Insulator - Carburetor
54		1	Screw - Connector Not available separately.
55	219390	1	Connector - Stop Switch
56		1	Screw - Hex HD 8-32 x 1/2 Not available separately.
57		1	Connector - Stop Switch Not available separately.
58		1	Eyelet - Connector Not available separately.
59	90714	1	Gasket - Insulator
60	84957	1	Coil - Lamination Assembly
61	215351	1	Wire Assembly - Spark Plug
62	95266	1	Boot
63	102556	1	Connector
64	110364	1	Screw - Pan Head 6-32x.625
65	69344	1	Wire Assembly-Coil
66	110041	1	Screw - Pan Head S-32x.50
67	85358	1	Condenser
68	100035	1	Nut - Hex 6-32
69	84502	1	Connector - Stop Switch
70	67841	1	Cover - Breaker Box
71	69323	1	Seal - Breaker Box
72	213032	2	Screw - Hex Head 8-32 x .50
73	69322	1	Washer - Special
74	105976	1	Washer - Flat 11/64"
75	88811	1	Breaker - Assembly
76	84505-01	1	Kit - Breaker Box
77	92037	1	Washer
78	217031	1	Ignition Assembly - CDI
62	95266	1	Boot
63	102556	1	Connector
79		1	Wire-Spark Plug Not available separately.
80	217190	1	Wire Assembly - Stop Switch
81	217165	1	Cylinder/Crankcase Using Auto Sharp
82	83856	1	Bolt - Bar Mounting
83	110914	4	Plug - Cup
81	216935	1	Cylinder/Crankcase Using Automatic Oiler
82	83856	1	Bolt - Bar Mounting
83	110914	4	Plug - Cup
81	217067	1	Cylinder/Crankcase Without Automatic Oiler
82	83856	1	Bolt - Bar Mounting
83	110914	4	Plug - Cup
84	120097	4	Screw - Hex M5 x 25 (70 - 80 in. lb. torque)
81	216950	1	Cylinder/Crankcase (Plated) Using Automatic Oiler
82	83856	1	Bolt - Bar Mounting
83	110914	4	Plug - Cup
84	120097	4	Screw - Hex M5 x 25 (70 - 80 in. lb. torque)
85	213327	2	Screw - Special
86	94662	1	Piston Assembly
87	95143	2	Ring - Piston
88	92836	1	Pin - Piston
89	111026	2	Ring - Snap

Ref #	Part Number	Qty	Description
86	216713	1	Piston Assembly (Non-Plated)
87	216705	1	Ring - Piston
88	92836	1	Pin - Piston
89	111026	2	Ring - Snap
90	94135	1	Rod Assembly - Connecting
91	94654	2	Screw - Connecting Rod
92	68095	1	Roller - Needle (set of 20)
93	110984	1	Bearing - Needle
94	213282	2	Bearing - Crankshaft
95	83859	2	Seal - Crankshaft
96	217042	1	Crankshaft
	91932	1	Crankshaft
97	216582	1	Kit - Manual Oil Pump (Includes P/N 217156 item 4, P/N 217167 item 5, P/N 83896 item 6 and item 10).;

No  
Diagram  
Available  
  
Parts List  
Only

Ref #	Part Number	Qty	Description
	68915-01		Kit - Piston Pin Installation/Removal Tool
	93900		Kit - Cylinder/C'Case Pressure Test
	215432		Tool - Pressure Test
	214219		Wrench/Screwdriver
	216063		Key - Socket 5/32"