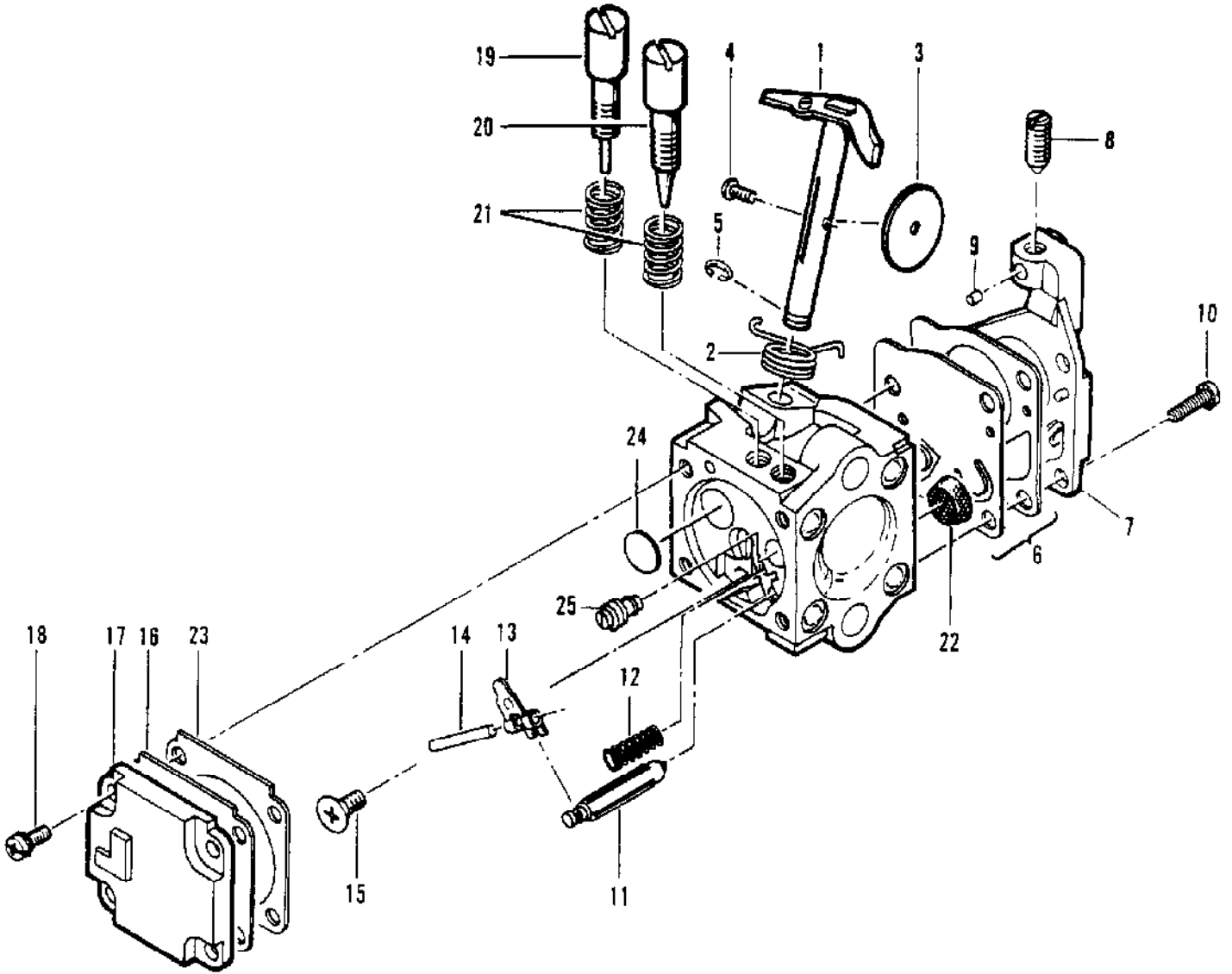


No  
Diagram  
Available  
  
Parts List  
Only

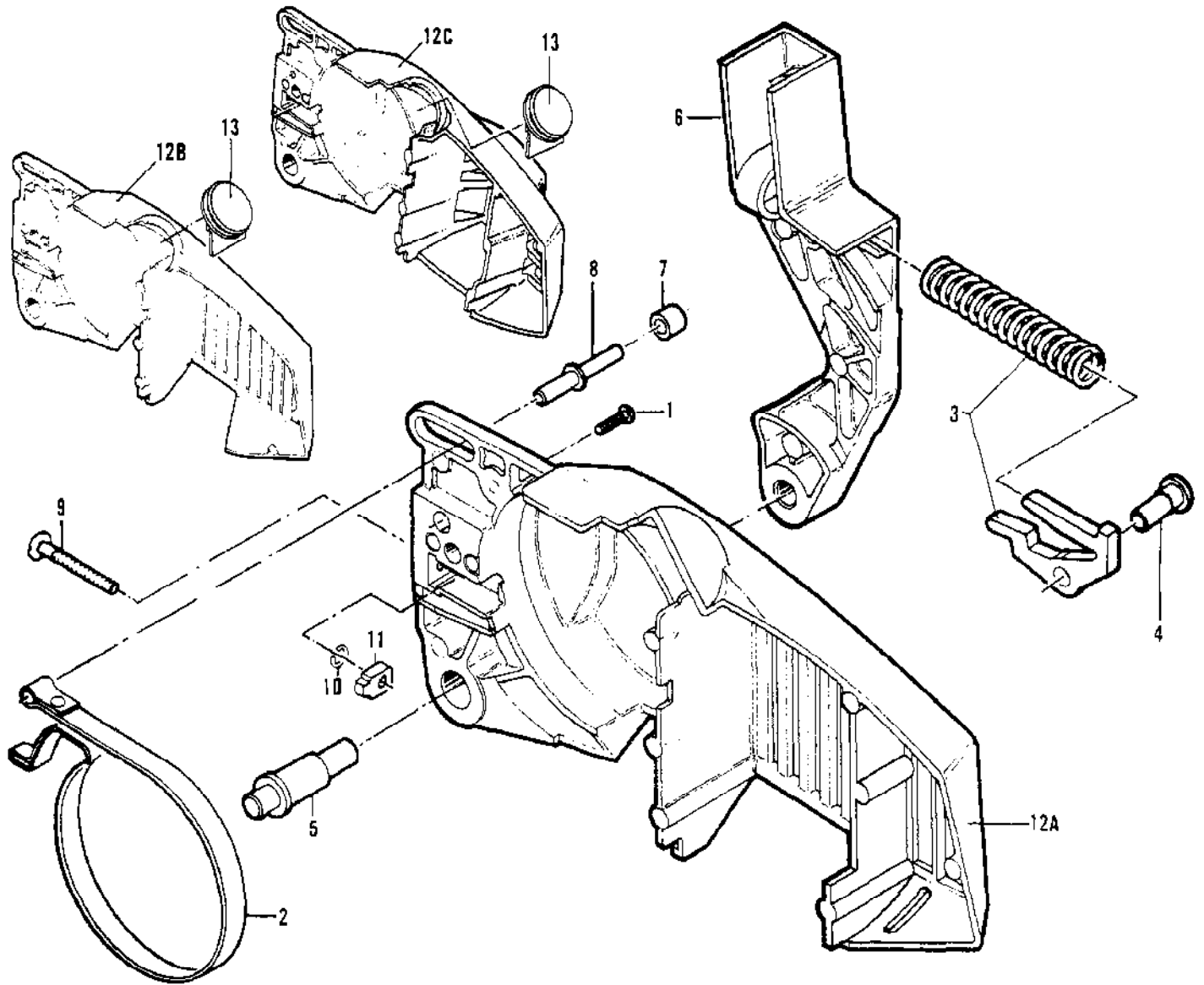
Ref #	Part Number	Qty	Description
	93797		Wrench - Screwdriver
	216063		Key-Socket 5/32"
	214194		Lubri - Gun
	91226		Tool - Flywheel Holder
	110706		Tool - Handle/Throttle Trigger Screw
	94415		Adaptor - Pressure Test Intake (Cyl)
	94416		Adaptor - Pressure Test Intake (Airbox)
	68917		Plate - Block - Off Exhaust
	85229		Kit - Pressure Test
	215432		Gauge/Bulb - Pressure Test
	63094		Driver - Piston Pin
	67537		Loctite - 10cc Bottle
	69794		Locquic - 6oz.
	110083		R.T.V. Sealant - Tube
	94364		Kit - Carrying Case (16")
	214202		Scabbard (16")
	93770		40:1 2-Cycle Custom Lubricant: 6 Oz. Can (Case of 48)
	85707		40:1 2-Cycle Custom Lubricant: 16 Oz. Can (Case of 24)
	85709		40:1 2-Cycle Custom Lubricant: 1 Qt. Bottle (Case of 12)
	87885		Bar and Chain Oil: 1 Qt. Bottle (Case of 12)
	94818		Bar and Chain Oil: 1 Gal. Bottle (Case of 6)

No  
Diagram  
Available  
  
Parts List  
Only

Ref #	Part Number	Qty	Description
	214235		Bar - 14" Mini Pro
	214919-12		Chain - MP370GLX 49CL
	219131		File Plate, Round File Size - 5/32"
	214236		Bar - 16" Mini Pro
	214925-12		Chain - MP370GLX 54CL
	219131		File Plate, Round File Size - 5/32"

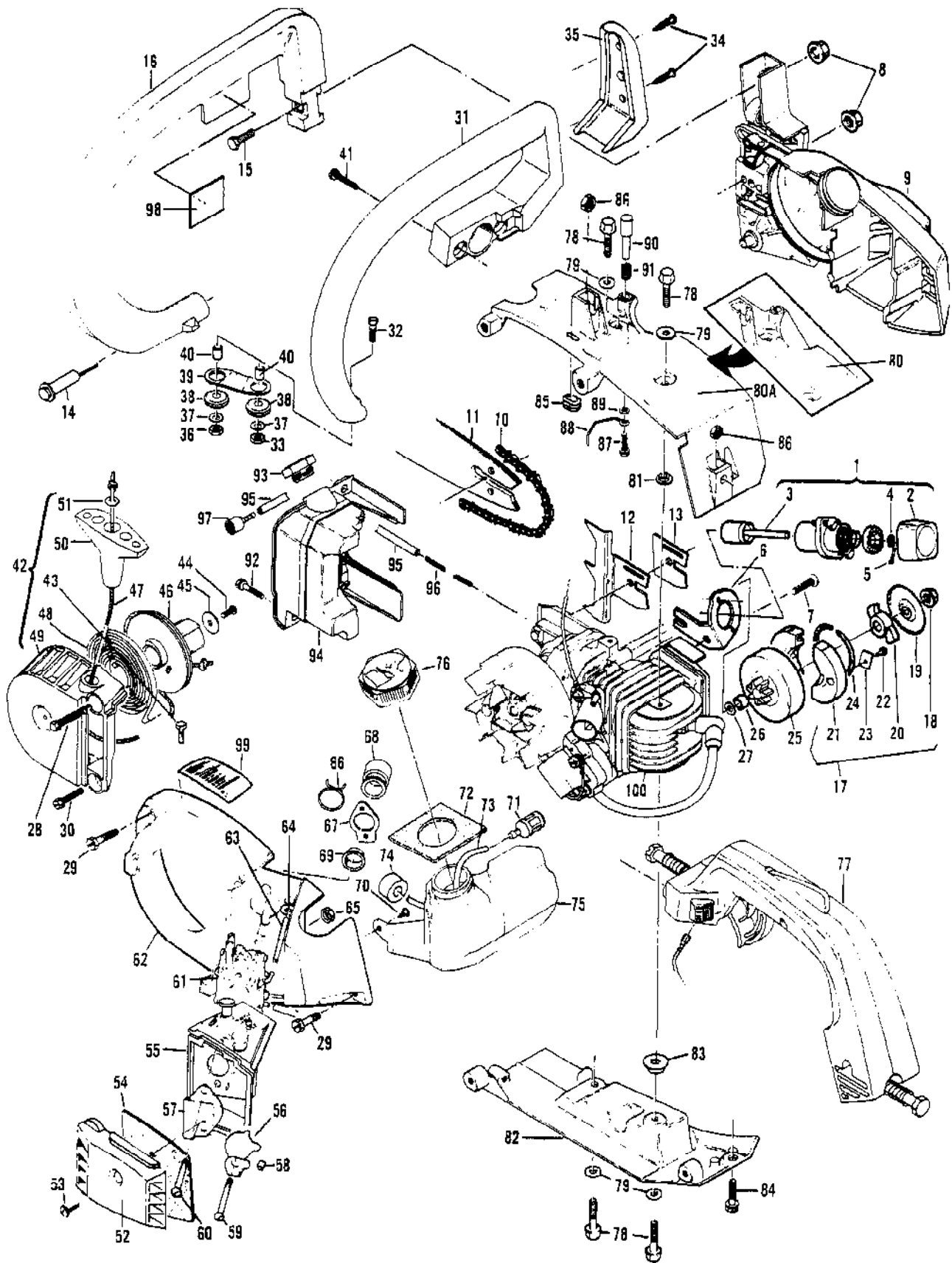


Ref #	Part Number	Qty	Description
	94496	1	Carburetor Assembly (Zama)
1		1	Shaft Asy - Throttle Not available separately.
2		1	Spring - Throttle Return Not available separately.
3		1	Plate - Throttle Not available separately.
4		1	Screw - Plate (M3) Not available separately.
5		1	"E" Ring Not available separately.
6		1	Diaphragm & Gaskets Not available separately.
7		1	Cover Asy - Pump Not available separately.
8		1	Screw - Idle Speed Not available separately.
9		1	Insert - Friction Not available separately.
10		4	Screw - Pump Cover (M4) Not available separately.
11		1	Needle - Inlet Not available separately.
12		1	Spring - Lever Not available separately.
13		1	Lever - Inlet Needle Not available separately.
14		1	Pin - Lever Not available separately.
15		1	Screw - Lever Pin (M3) Not available separately.
16		1	Diaphragm Asy - Metering Not available separately.
17		1	Cover - Diaphragm Not available separately.
18		4	Screw - Diaphragm Cover (M3) Not available separately.
19		1	Screw - Idle Adjust Not available separately.
20		1	Screw - Main Adjust Not available separately.
21		2	Spring - Needle Not available separately.
22		1	Screen - Filter Not available separately.
23		1	Gasket - Metering Diaphragm Not available separately.
24		1	Welch Plug Not available separately.
25		1	Orifice - Main Fuel Not available separately.
	217081		Repair Kit
	217089		Gasket/Diaphragm Kit
	216804		Needle Kit



Ref #	Part Number	Qty	Description
A	219323	1	Brake Asy-Chain
B	216409	1	Brake Asy-Chain
C	216552	1	Brake Asy-Chain
1	111047	1	Screw-8-32 x .625
2	94709	1	Band-Brake
3	215758	1	Latch/Spring Kit
4	93602	1	Pivot-Latch
5	216549	1	Pivot-Lever
6	93159	1	Lever-Actuating
7	214368	1	Bearing-Roller
8	213907	1	Pin-Roller
9	90658	1	Screw-Adjusting
10	110907	1	Ring-Retaining
11	84929	1	Nut-Bar Adjusting
12A	219321	1	Housing-Brake
12B	216411	1	Housing-Brake
12C	216270	1	Housing-Brake
13	93528-01	1	Cover-Auto Sharp

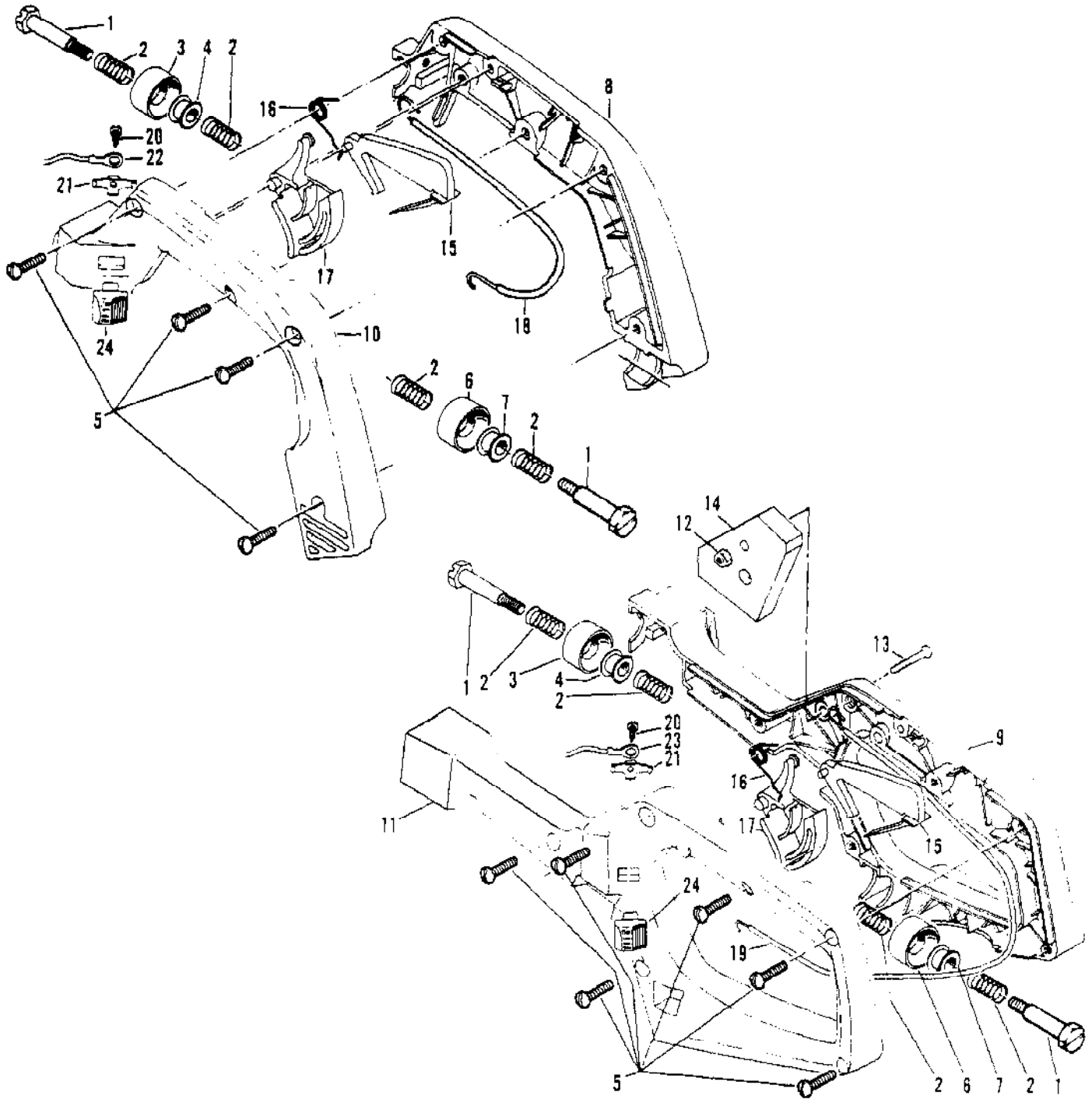




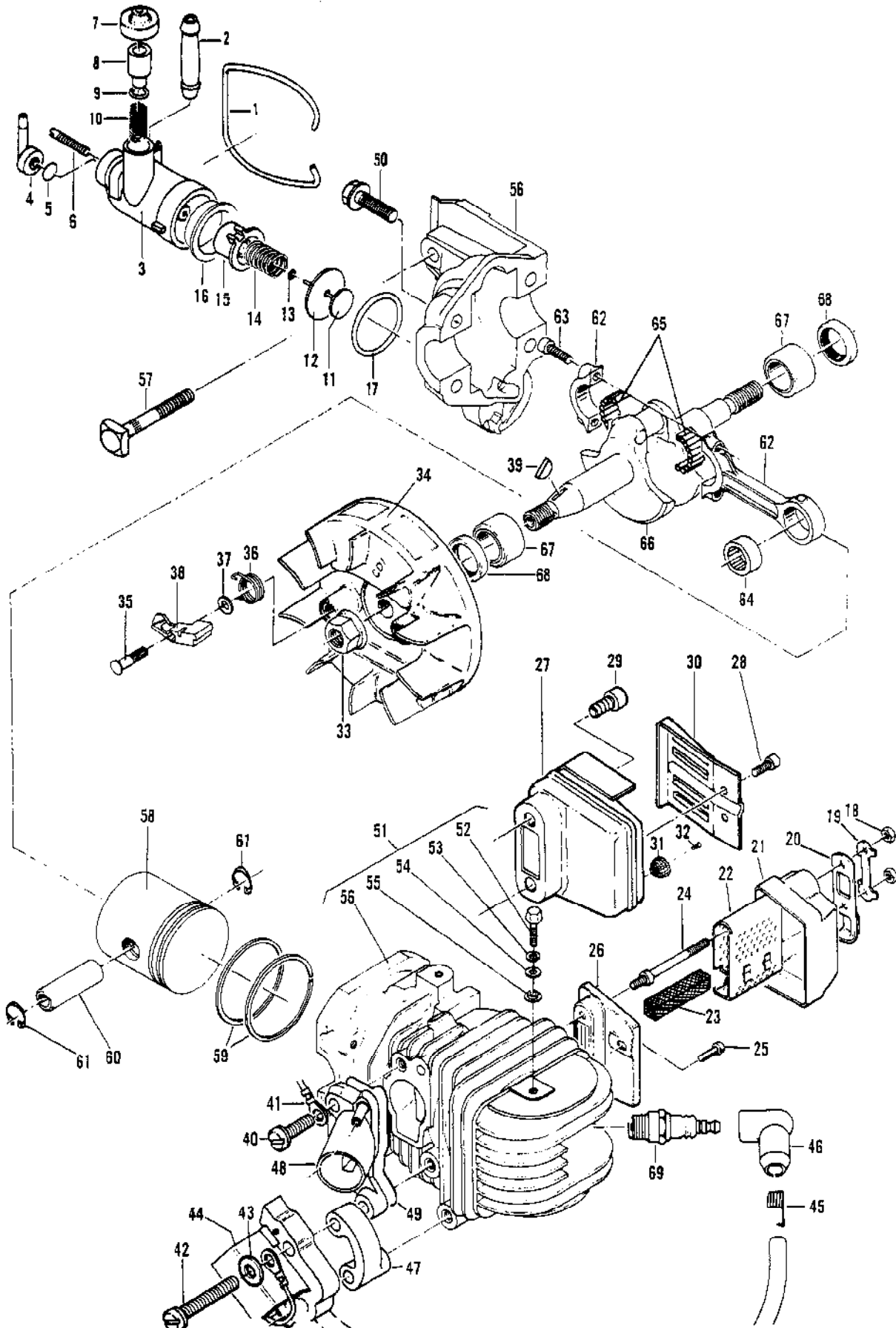
Ref #	Part Number	Qty	Description
1	216132	1	Kit-Auto Sharp
2	215447	1	Knob
3	218294	1	Wheel Asy-Grinding
4	216134	1	Washer
5	216133	1	Pin-Cotter
6	215208	1	Bracket-Auto Sharp
7	120025	2	Screw-M5 x 10 (35-40 in. lb. torque)
8	120029	2	Nut-Flange M6 .3 x 1.0
9		1	Chain Brake Asy See "Chain Brake Assembly" illustration and parts lists.
10		1	Chain See "Bar & Chain" illustration and parts lists; Models with a suffix number 10 were originally equipped with a .250 pitch bar. Chain and Drum/Sprocket Assembly which is no longer available. Should replacement become necessary, order item number 25 as well as Bar and Chain as shown in Figure 6.
11		1	Bar See "Bar & Chain" illustration and parts lists; Models with a suffix number 10 were originally equipped with a .250 pitch bar. Chain and Drum/Sprocket Assembly which is no longer available. Should replacement become necessary, order item number 25 as well as Bar and Chain as shown in Figure 6.
12	214207	1	Spike
13	93148	1	Spacer-Bar Pad
14	215695	1	Screw-M5 x 50
15	120028	1	Screw-M6 .3 x 20
16	93021-01	1	Lever-Wraparound
17	213278	1	Kit-Clutch
18	94244	1	Nut-Clutch (160-170 in. lb. torque)
19	94243	1	Plate-Dust
20		1	Rotor-Clutch Not available separately.
21	213277	1	Clutch Asy
22		2	Rivet-1/8 x .547 Not available separately.
23		2	Plate-Clutch Shoe Not available separately.
24		1	Spring Asy-Clutch Not available separately.
25	215252	1	Drum/Sprocket/Bearing Asy Models with a suffix number 10 were originally equipped with a .250 pitch bar. Chain and Drum/Sprocket Assembly which is no longer available. Should replacement become necessary, order item number 25 as well as Bar and Chain as shown in Figure 6.
26	91222	1	Bearing-Needle
	67650	1	Bearing
27	215259	1	Washer-Sprocket
	67303	1	Washer
28	120096	1	Screw-M5 x 55
29	120095	2	Screw-M5 x 20 (40-50 in. lb. torque)
30	120098	1	Screw-M5 x 18
31	216816	1	Frame Asy
32	216064	1	Screw-M5 T-Head
33	216585	1	Nut-M5 (35-40 in. lb. torque)

Ref #	Part Number	Qty	Description
31	216504	1	Frame Asy-Weighted
32	216064	1	Screw-M5 T-Head
33	216585	1	Nut-M5 (35-40 in. lb. torque)
34	111011	2	Screw-10-16 x .875
35	95141	1	Weight-Frame
36	216585	1	Nut-M5 (35-40 in. lb. torque)
37	120045	2	Washer-M5
38	110989	2	Grommet
39	93152	1	Link
40	93057	2	Spacer-Mount
41	120036	2	Screw-M4 x 25 (15-20 in. lb. torque)
42	216491	1	Starter Asy
43	216064	1	Bolt-M5 T-Head
44	110041	1	Screw-8-32 x .50
45	68497	1	Washer
46	213257	1	Drum/Rope Asy See Service Bulletin 1833
47	83203	1	Rope-Starter
48	83078	1	Spring-Rewind
49	216485	1	Housing-Starter
50	91255	1	Handle/Washer Asy
51	105490	1	Washer-Handle
52	215481	1	Cover/Screw Asy-Air Filter
53	213118	1	Screw-Air Filter Cover
54	215456	1	Filter-Air
55	215482	1	Box Asy-Air
56	213411	1	Plate-Choke
57	215455	1	Bracket-Choke
58	213420	1	Spacer
59	213105	1	Screw-M5 x 55
60	213104	1	Screw-M5 x 50
61		1	Carburetor Asy See "Carburetor Assembly" illustration and parts lists.
62	215563	1	Housing Asy-Fan
63	213542	1	Hose-Pulse
64	215562	1	Grommet
65	94501	1	Nut-M5 x 0.8 Thin
66	94302	1	Clip-Spring
67	92747	1	Flange-Carburetor Mounting
68	213211	1	Boot/Eyelet Asy
69	95656	1	Eyelet
70	111002	1	Screw-10-16 x 1/2
71	93720	1	Pickup-Fuel
72	94491	1	Seal-Fuel Vent
73	93997	1	Hose-Fuel
74	90869	1	Insert-Cushion
75	216666	1	Fuel Tank/Cap Asy
76	216157	1	Cap Asy-Fuel W/Retainer
77		1	Handle Asy See "Handle Assembly" illustration and parts list.
78	213172	4	Screw-M6 x 17 (90-100 in. lb. torque)
	213166	4	Screw-M6 x 16 (90-100 in. lb. torque)
79	213021	4	Washer-Ramp Conical
80	219319	1	Top Shroud (without Recess)
80A	214152	1	Kit-Top Shroud (with Recess)

Ref #	Part Number	Qty	Description
81	214350	1	Insulator
82	214154	1	Kit-Bottom Shroud
83	214350	1	Insulator
84	120095	1	Screw-M5 x 20 (40-50 in. lb. torque)
85	94192	1	Grommet
86	120034	2	Nut-M6 x 1.0
87	110999	1	Screw-6-20 x 5/8 (8-10 in. lb. torque)
88	94540	1	Rod-Oiler
89	100001	1	Washer-Plain
90	217782	1	Knob-Oiler
91	93634-01	1	Spring-Compression
92	120095	2	Screw-M5 x 20 (35-40 in. lb. torque)
93	216095	1	Cap-Oil
94	216696	1	Tank Asy-Oil
95	94405	1	Hose-Oil Pickup
96	93998	1	Spring-Oil Hose
97	92465	1	Pickup-Oil
98	219058	1	Label-Safety
99	218558	1	Label-Instruction
100		1	Powerhead See "Powerhead Assembly" illustration and parts list.



Ref #	Part Number	Qty	Description
1	93529	2	Bolt-Shoulder
2	93530-01	4	Spring-Mount
3	92704	1	Mount
4	94038	1	Hub-Mount
	213230	1	Handle Assembly
	213231	1	Handle Assembly
	213235	1	Handle Assembly weighted
5	111032	6	Screw-Ph Hd 10-16 x .625
6	92704	1	Mount
7	94038	1	Hub-Mount
8	213229	1	Handle-Right Half
9	213224	1	Handle-Long Right
10	213228	1	Handle-Left Half
11	213226	1	Handle-Long Left
12	216649	1	Nut-Hx Lock 10-24
13	216632	1	Screw-Pan Hd 10-24 x 1
14	95042	1	Weight-Handle
15	93310	1	Trigger-Safety
16	93515	1	Spring-Trigger
17	213232	1	Trigger-Throttle
18	213234	1	Wire Asy-Throttle
19	213233	1	Wire Asy-Throttle
20	110706	1	Screw-Pan Hd 8-18 x .50
21	62451	1	Contact-Ignition Switch
22	93505-01	1	Wire-Switch (310/320/E.B.)
23	94039	1	Wire-Stop Switch (330/340)
24	68846	1	Button-Stop Switch



Ref #	Part Number	Qty	Description
1	93150	1	Bail
2	217168	1	Connector-Outlet
3		1	Pump Asy-Oiler (W/Output Adjustment Screw) Not available separately.
	219990	1	Pump Asy-Oiler (Non-Adjustable)
4	215196	1	Connector-Hose
5	94115	1	Valve-Oiler
6	217765	1	Screw-6-40 x .800
7	215151	1	Cap-Oil Pump
8	93301	1	Plunger-Oil Pump
9	105614	1	"O" Ring-.239 x .070
10	93632	1	Spring
11	216425	1	Piston Asy-Oiler
	219566	1	Piston Asy-Oiler
12		1	Ring-Oil Pump Piston Not available separately.
13	105603	1	"O" Ring-.114 x .070
14	83891	1	Spring-Return
	219525	1	Spring-Return
15	216423	1	Sleeve-Oil Pump
16	216422	1	Eyelet
17	110653	1	"O" Ring
18	215871	2	Nut-Muffler
19	215471	1	Plate-Lock
20	215472	1	Deflector-Exhaust
21	215774	1	Cover
22	215776	1	Baffle
23	216805	1	Screen-Spark Arrestor
24	215757	2	Bolt-Shoulder (65-85 in. lb. torque)
25	213369	1	Bolt-M6 (70-85 in. lb. torque)
26	215713	1	Base
27	215411	1	Kit-Muffler
28	110681	2	Screw-Skt, Hd. 10-24 x 1/4 (40-45 in. lb. torque)
29	215394	2	Screw-Special M6 (70-80 in. lb. torque)
30	92961	1	Deflector-Exhaust
31	214204	1	Kit-Spark Arrestor
32	101987	1	Screw-6-32 x .25 (25 in. lb. torque)
33	216645	1	Nut-Flange M8 (200-220 in. lb. torque)
34	94737	1	Flywheel W/The Letters IGN Molded in Casting
34A	219211	1	Flywheel W/The Letters CDI Molded in Casting
35	216984	2	Pin-Pawl
36	216982	2	Spring-Pawl
37	93469	2	Washer
38	216983	2	Pawl-Starter
39	102164	1	Key-Flywheel
40	120098	1	Screw-M5 x 18 (40-50 in. lb. torque)
41	93514-01	1	Wire Asy-Ground
42	120112	2	Screw-M5 x 40 (70-80 in. lb. torque)
43	216683	2	Washer-Special
44	219215	1	Ignition-CDI (Black Sems)
45	102556	1	Connector-Spark Plug
46	95266	1	Boot-Spark Plug
47	214356	1	Spacer
48	215601	1	Manifold-Carburetor
49	92778	1	Gasket-Manifold
50	120097	4	Screw-M5 x 25 (70-80 in. lb. torque)



Ref #	Part Number	Qty	Description
51	215943	1	Kit-Cylinder/Crankcase
52	213166	4	Screw-M6 x 16 (90-100 in. lb. torque)
53	105043	4	Washer-Lock
54	102523	4	Washer-1/4 Plain
55	214350	2	Insulator
56	215762	1	Cylinder Asy
57	92777	1	Bolt-Bar
58	94660	1	Piston Asy
59	94136	1	Ring Set-Piston
60	92836	1	Pin-Piston
61	111026	2	Ring-Snap
62	94135	1	Connecting Rod Asy
63	94654	2	Screw-Connecting Rod (35-40 in. lb. torque)
64	110984	1	Bearing-Needle
65	68095	1	Bearing-Needle (set of 20)
66	92750	1	Crankshaft
67	213282	1	Bearing-Crankshaft
68	83859	2	Seal-Crankshaft
69	62345	1	Spark Plug-AC-CS45T
	93018	1	Spark Plug-Champion RDJ8 (120 in. lb. torque)