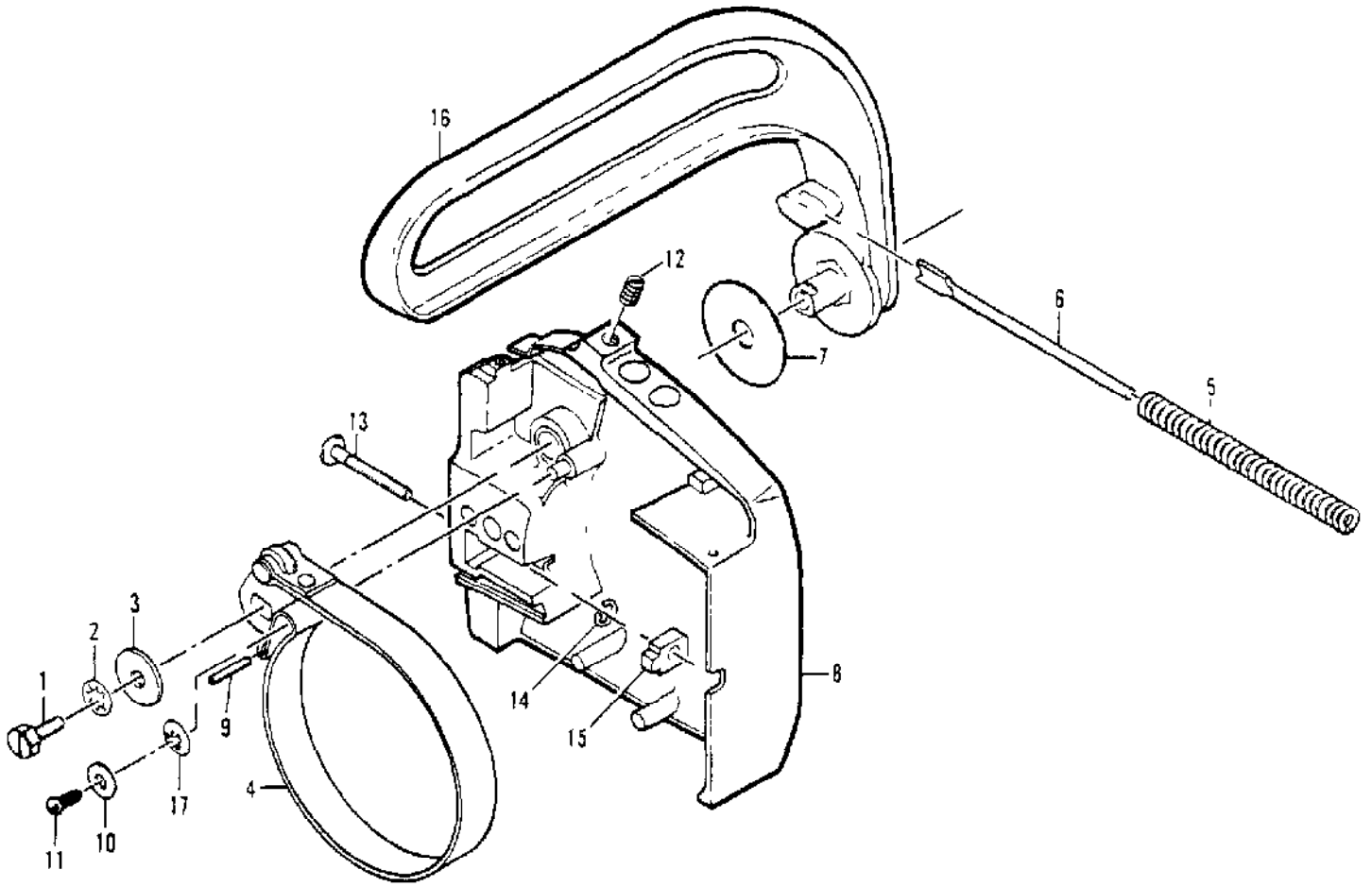


No  
Diagram  
Available  
  
Parts List  
Only

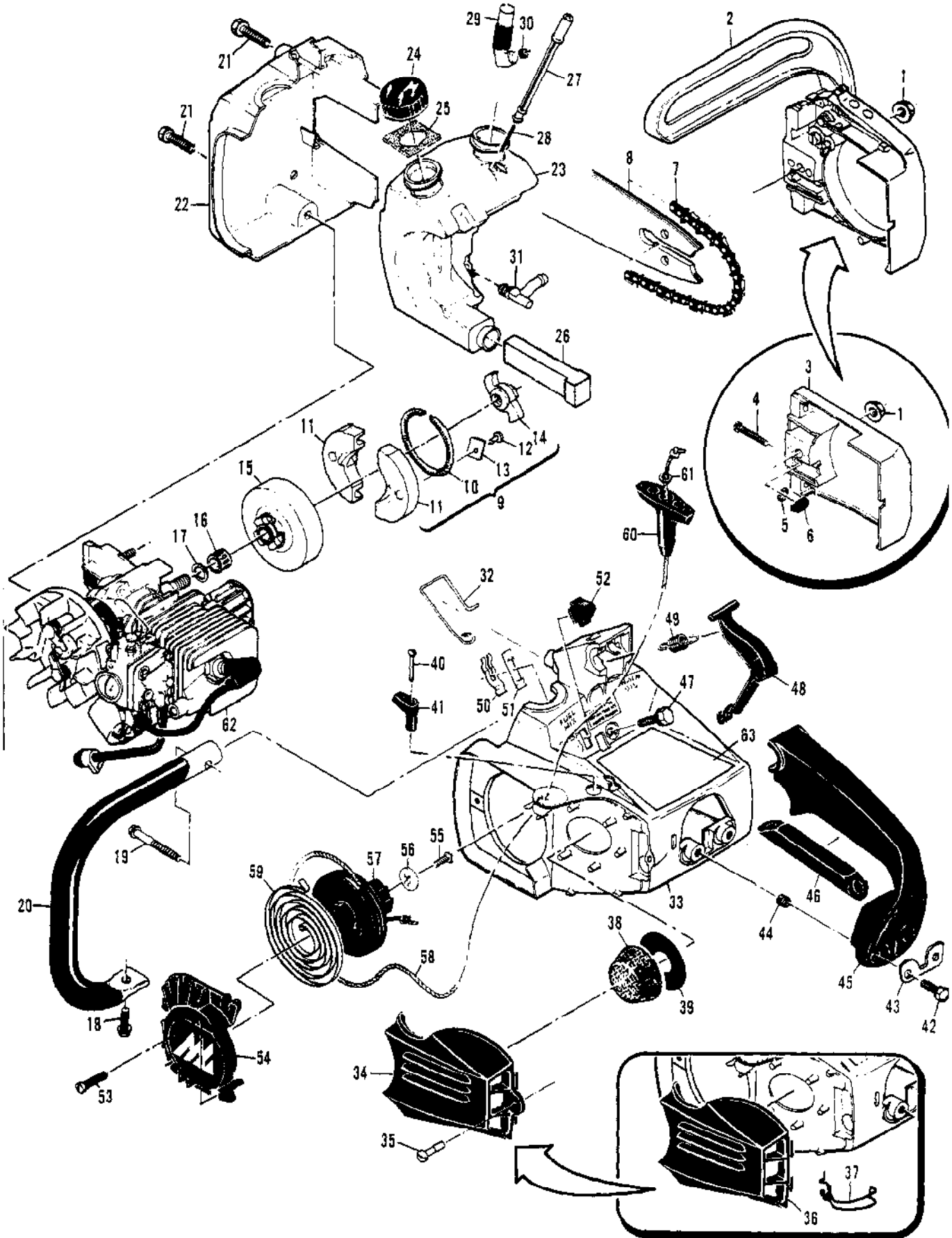
| Ref # | Part Number | Qty | Description                     |
|-------|-------------|-----|---------------------------------|
|       | 90745       |     | Bar - 10" Mini Pro              |
|       | 90641N      |     | Chain Asy - 10" MP 370G         |
|       | 90630       |     | Bar - 10" Mini Mac              |
|       | 90638N      |     | Chain Asy - 10" MM370G          |
|       | 90770       |     | Bar - 12" Mac 6                 |
|       | 88033N      |     | Chain Asy - 12" SM250G          |
|       | 90549       |     | Bar - 12" Mini Pro              |
|       | 90642N      |     | Chain Asy - 12" MP370G          |
|       | 90639N      |     | Chain Asy - 12" MM370G          |
|       | 90550       |     | Bar - 14" Mini Pro              |
|       | 90640N      |     | Chain Asy - 14" MM370G          |
|       | 83687       |     | Guide - Timing                  |
|       | 91753       |     | Case - Carrying                 |
|       | 88756       |     | Scrench                         |
|       | 68747       |     | Gasket- Spark arrester          |
|       | 84992       |     | Kit - Reed Muffler              |
|       | 85924       |     | Kit - Spark Arrester (PM6 type) |
|       | 89685       |     | Screen - Spark arrester         |
|       | 85062       |     | Kit - Piston Tool               |



| Ref # | Part Number | Qty | Description              |
|-------|-------------|-----|--------------------------|
|       | 90918       | 1   | Carburetor Asy           |
| 1     | 83755       | 2   | Screw - Plate            |
| 2     | 68556       | 1   | Plate - Choke            |
| 3     | 85033       | 1   | Shaft - Choke            |
| 4     | 100302      | 1   | Ball - Choke friction    |
| 5     | 67504       | 1   | Spring - Choke friction  |
| 6     | 68553       | 1   | Plate - Throttle         |
| 7     | 70798       | 1   | Screw - Clip             |
| 8     | 68554       | 1   | Clip -Throttle shaft     |
| 9     | 90471       | 1   | Shaft Asy - Throttle     |
| 10    | 68566       | 1   | Screw-Idle speed         |
| 11    | 86446       | 1   | Needle - Idle            |
| 12    | 86447       | 1   | Needle - High speed      |
| 13    | 67502       | 2   | Spring - Needle          |
| 14    | 68564       | 4   | Screw Asy - Body         |
| 15    | 91347       | 1   | Cover Asy - Pump         |
| 15A   | 85629       | 1   | Kit - Vent screen        |
| 16    | 68563       | 1   | Diaphram - Fuel pump     |
| 17    | 85035       | 1   | Gasket - Pump diaphragm  |
| 18    | 85030       | 1   | Body - Fuel pump         |
| 19    | 85036       | 1   | Diaphragm - Metering     |
| 20    | 85034       | 1   | Gasket - Diaphragm       |
| 21    | 67500       | 1   | Screw - Lever pin        |
| 22    | 67508       | 1   | Pin - Lever              |
| 23    | 85059       | 1   | Kit - Needle & lever     |
| 24    | 68567       | 1   | Spring - Lever           |
| 25    | 68559       | 1   | Plug - Welsh 7/16        |
| 26    | 83758       | 1   | Kit - Check valve        |
| 27    | 68560       | 1   | Plug - Welsh 1/2         |
| 28    | 89785       | 1   | Spring - Throttle return |
|       | 86463       |     | Repair Kit               |



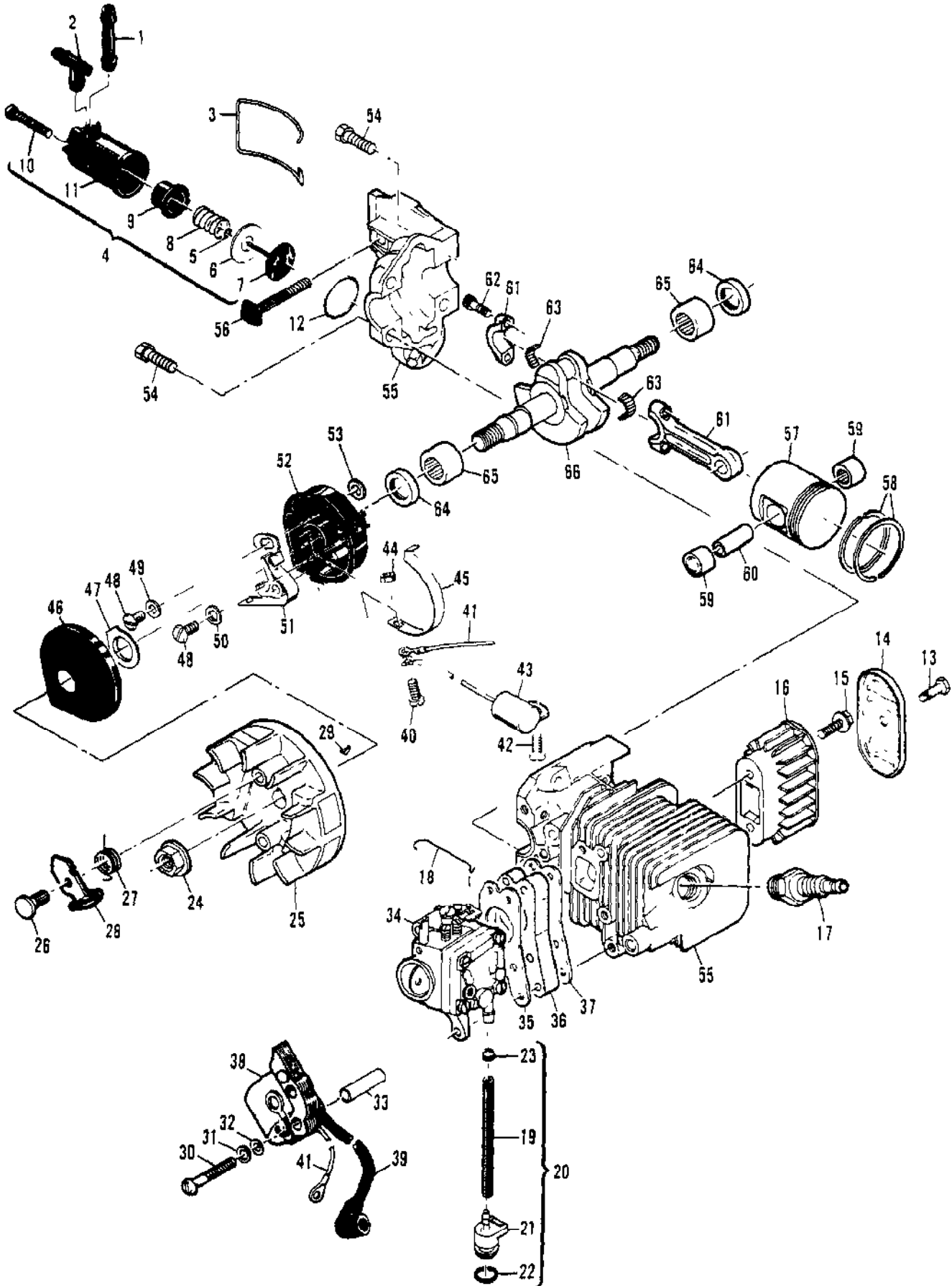
| Ref # | Part Number | Qty | Description               |
|-------|-------------|-----|---------------------------|
|       | 90570B      |     | CHAIN BRAKE Asy           |
| 1     | 102762      | 1   | Screw - Hx hd 10-24 x 1/2 |
| 2     | 101194      | 1   | Washer - Lock #10         |
| 3     | 110712      | 1   | Washer                    |
| 4     | 90580       | 1   | Band & Lever              |
| 5     | 90587A      | 1   | Spring - Brake Actuator   |
| 6     | 90588       | 1   | Guide - Spring            |
| 7     | 90967       | 1   | Washer - Actuating Lever  |
| 8     | 90571C      | 1   | Kit - Housing/Spring      |
| 9     | 103047      | 1   | Pin                       |
| 10    | 100001      | 1   | Washer                    |
| 11    | 110946      | 1   | Screw Drive - 6 x 5/16    |
| 12    | 110955      | 1   | Screw - Set 8-32 x 1/2    |
| 13    | 90658       | 1   | Screw - Adjusting         |
| 14    | 110907      | 1   | Ring - Retaining          |
| 15    | 84929       | 1   | Nut - Bar adjusting       |
| 16    | 90576       | 1   | Lever - Actuator          |
| 17    | 110913      | 1   | Fastener - Springtip      |



| Ref # | Part Number | Qty | Description   |
|-------|-------------|-----|---|
| 1     | 110676      | 1   | Nut - Hx 1/2-28   |
| 2     |             |     | CHAIN BRAKE Asy See "Chain Brake" Assembly illustration & parts list. |
| 3     | 90636       | 1   | Guard Asy - Clutch  |
| 4     | 90658       | 1   | Screw - Pan hd 8-32 x 1-1/8   |
| 5     | 110907      | 1   | Ring - retaining  |
| 6     | 84929       | 1   | Nut - Bar adjusting   |
| 7     |             |     | Chain Asy See "Accessories" parts list.                               |
| 8     |             |     | Bar See "Accessories" parts list.                                     |
| 9     | 92727       | 1   | Clutch Asy  |
| 10    | 69358       | 1   | Spring - Clutch   |
| 11    | 85202       | 2   | Kit - Clutch Shoe   |
| 12    | 110957      | 2   | Rivet   |
| 13    | 85064       | 2   | Plate   |
| 14    | 92721       | 1   | Spider  |
| 9     | 85450       | 1   | Clutch Asy  |
| 10    | 69358       | 1   | Spring - Clutch   |
| 11    | 85202       | 2   | Kit - Clutch Shoe   |
| 12    | 110709      | 2   | Rivet   |
| 13    | 85064       | 2   | Plate   |
| 14    | 85449       | 1   | Spider  |
| 15    | 90150       | 1   | Drum/Spkt/Brng Asy  |
| 16    | 91222       | 2   | Kit - Needle Bearing  |
| 15    | 85504       | 1   | Drum Cr Sprocket Asy  |
| 16    | 67650       | 1   | Bearing - Sprocket  |
| 17    | 67303       | 1   | Washer - Sprocket   |
| 18    | 110953      | 1   | Screw - Hx hd 12-24 x 5/8   |
| 19    | 110686      | 1   | Screw - Hx hd 13-16 x 2   |
| 20    | 84791       | 1   | Frame & Grip Asy  |
| 21    | 110639      | 2   | Screw - Hx hd 12-24 x 1   |
| 22    | 88591       | 1   | Cover - Fuel & Oil tank   |
| 23    | 91454A      | 1   | Tank Kit - Fuel & Oil   |
| 24    | 91283       | 2   | Cap - Fuel & Oil (Unvented)   |
| 24    | 90922       | 2   | Cap - Fuel & Oil (Vented)   |
| 25    | 91148       | 1   | Seal - Fuel vent  |
| 26    | 84956       | 1   | Pickup - Fuel   |
| 27    | 83900A      | 1   | Piston - Manual oiler   |
| 28    | 83946       | 1   | Spring - Piston   |
| 29    | 85557       | 1   | Body - Oiler  |
| 30    | 86438       | 1   | Valve - Manual oil pump   |
| 31    | 84653       | 1   | Connector - Manual oiler  |
| 32    | 84611       | 1   | Rod - Manual oiler  |
| 33    | 91859       | 1   | Kit - Shroud Asy  |
| 34    | 91853       | 1   | Cover - Air cleaner   |
| 35    | 91796       | 1   | Screw - Air cleaner   |
| 36    | 90383       | 1   | Cover - Air cleaner   |
| 37    | 83882       | 1   | Retainer - Cover  |
| 38    | 85127       | 1   | Filter - Air  |
| 39    | 84918       | 1   | Washer - Air seal   |
| 40    | 110672      | 1   | Screw - Oval hd 4-40 x 1  |
| 41    | 83870       | 1   | Knob - Choke  |
| 42    | 110953      | 2   | Screw - Hx hd 12-24 x 5/8   |
| 43    | 84520A      | 1   | Plate - Washer  |
| 44    | 84519       | 2   | Sleeve - Handle   |
| 45    | 83852A      | 1   | Handle & Grip Asy   |



| Ref # | Part Number | Qty | Description  |
|-------|-------------|-----|--|
| 46    | 64872       | 1   | Grip - Handle  |
| 47    | 110953      | 3   | Screw - Hx hd 12-24 x 5/8  |
| 48    | 83878       | 1   | Trigger  |
| 49    | 83940       | 1   | Spring - Trigger   |
| 50    | 83935       | 1   | Contact - Switch   |
| 51    | 83936       | 1   | Protector - Switch   |
| 52    | 83934       | 1   | Button - Switch  |
| 53    | 110959      | 3   | Screw - Hx hd 8-32 x 1/2   |
| 54    | 90425       | 1   | Cover - Starter  |
| 55    | 110706      | 1   | Screw - Rd hd 8-32 x 5/8   |
| 56    | 68497       | 1   | Washer - Special   |
| 57    | 83876       | 1   | Drum - Starter   |
| 57    | 92316       | 1   | Drum/Rope Asy  |
| 58    | 83203       | 1   | Rope - Starter   |
| 59    | 83078       | 1   | Spring - Rewind  |
| 60    | 91255       | 1   | Kit - Starter handle   |
| 61    | 105490      | 1   | Washer - Starter handle  |
| 62    |             |     | Powerhead Asy See "Powerhead Assembly"<br>illustration & parts list. |
| 63    | 91694       | 1   | Plate - Name   |
| 63    | 91693       | 1   | Plate - Name   |



| Ref # | Part Number | Qty | Description   |
|-------|-------------|-----|---|
| 1     | 83898       | 1   | Connector - Outlet  |
| 2     | 84613       | 1   | Connector - Pump  |
| 3     | 83896       | 1   | Ball - Mounting   |
| 4     | 83886       | 1   | Pump Asy - Oiler  |
| 5     | 105603      | 1   | "O" Ring  |
| 6     | 85769       | 1   | Ring - Pump piston  |
| 7     | 92204       | 1   | Piston Asy - Pump   |
| 8     | 83891       | 1   | Spring - Pump   |
| 9     | 83890       | 1   | Sleeve - Pump   |
| 10    | 110651      | 1   | Screw - Adjustment  |
| 11    | 83887       | 1   | Body Asy - Pump   |
| 12    | 110653      | 1   | "O" Ring  |
| 13    | 110674      | 1   | Screw - Hx hd 10-24 x 1/2   |
| 14    | 89684       | 1   | Cover - Muffler   |
| 15    | 110928      | 2   | Screw - Hx hd 10-24 x 1/2   |
| 16    | 89682       | 1   | Body - Muffler  |
| 17    | 63097       | 1   | Spark Plug  |
| 18    | 89274       | 1   | Rod - Throttle  |
| 19    | 89059       | 1   | Hose - Fuel   |
| 20    | 90661       | 1   | Kit - Fuel Hose   |
| 19    | 90659       | 1   | Hose - Fuel   |
| 21    | 90660       | 1   | Adaptor - Fuel hose   |
| 22    | 110908      | 1   | "O" Ring  |
| 23    | 87826       | 1   | Clamp   |
| 24    | 110970      | 1   | Nut - Hx 5/16-24  |
| 24    | 110931      | 1   | Nut - Hx 3/8-24   |
| 25    | 91961       | 1   | Flywheel & Pawl Asy   |
| 26    | 68796       | 2   | Pin - Pawl  |
| 27    | 92898       | 2   | Spring - Pawl   |
| 28    | 91872       | 2   | Pawl - Starter  |
| 25    | 69806       | 1   | Flywheel & Pawl Asy   |
| 26    | 68796       | 2   | Pin - Pawl  |
| 27    | 67814       | 2   | Spring - Pawl   |
| 28    | 69103       | 2   | Pawl - Starter  |
| 29    | 102164      | 1   | Key - Woodruff  |
| 29    | 100106      | 1   | Key - Woodruff  |
| 30    | 110586      | 3   | Screw - Pan hd 8-32 x 1-3/4   |
| 31    | 105976      | 3   | Washer - #8   |
| 32    | 67177       | 3   | Washer - Insulating   |
| 33    | 68198       | 3   | Tube - Insulating   |
| 34    |             |     | Carburetor Asy See "Carburetor Assembly" illustration & parts list. |
| 35    | 68197       | 1   | Gasket - Carburetor   |
| 36    | 90713       | 1   | Insulator - Carburetor  |
| 37    | 90714       | 1   | Gasket - Insulator  |
| 38    | 84957       | 1   | Coil & Lamination Asy   |
| 39    | 50120       | 1   | Wire Asy - Spark plug   |
| 40    | 110364      | 1   | Screw - Pan hd 6-32 x 5/8   |
| 41    | 69344       | 1   | Wire Asy - Coil   |
| 42    | 110041      | 1   | Screw - Pan hd 8-32 x 1/2 s/t                                       |
| 43    | 85358       | 1   | Condenser   |
| 44    | 100035      | 1   | Nut - Hx 6-32   |
| 45    | 84502       | 1   | Connector - Stop switch   |
| 46    | 67841       | 1   | Cover - Breaker box   |
| 47    | 69323       | 1   | Seal - Breaker box  |

| Ref # | Part Number | Qty | Description                   |
|-------|-------------|-----|-------------------------------|
| 48    | 110041      | 2   | Screw - Pan hd 8-32 x 1/2 s/t |
| 49    | 69322       | 1   | Washer - Special              |
| 50    | 105976      | 1   | Washer - 48                   |
| 51    | 88811       | 1   | Breaker Asy                   |
| 52    | 84505A      | 1   | Kit - Breaker Box             |
| 53    | 92037       | 1   | Washer                        |
| 54    | 110639      | 4   | Screw - Hx hd 12-24 x 1       |
| 55    | 92279       | 1   | Kit - Cyl/C'Case/Piston       |
| 56    | 83856       | 1   | Bolt - Bar mounting           |
| 57    | 92274       | 1   | Piston Asy                    |
| 58    | 92752       | 1   | Set - Piston Rings            |
| 59    | 110538      | 2   | Bearing - Needle              |
| 57    | 84981       | 1   | Piston Asy                    |
| 58    | 87164       | 1   | Set - Piston Rings            |
| 59    | 110538      | 2   | Bearing - Needle              |
| 60    | 66867       | 1   | Pin - Piston                  |
| 61    | 68097       | 1   | Connecting Rod Asy            |
| 62    | 66853       | 2   | Screw - Special               |
| 63    | 68095       | 1   | Roller - Needle (Set of 20)   |
| 64    | 83859       | 2   | Seal - Oil                    |
| 65    | 66854       | 2   | Bearing - Needle              |
| 66    | 91932       | 1   | Crankshaft                    |
| 66    | 86439A      | 1   | Crankshaft                    |