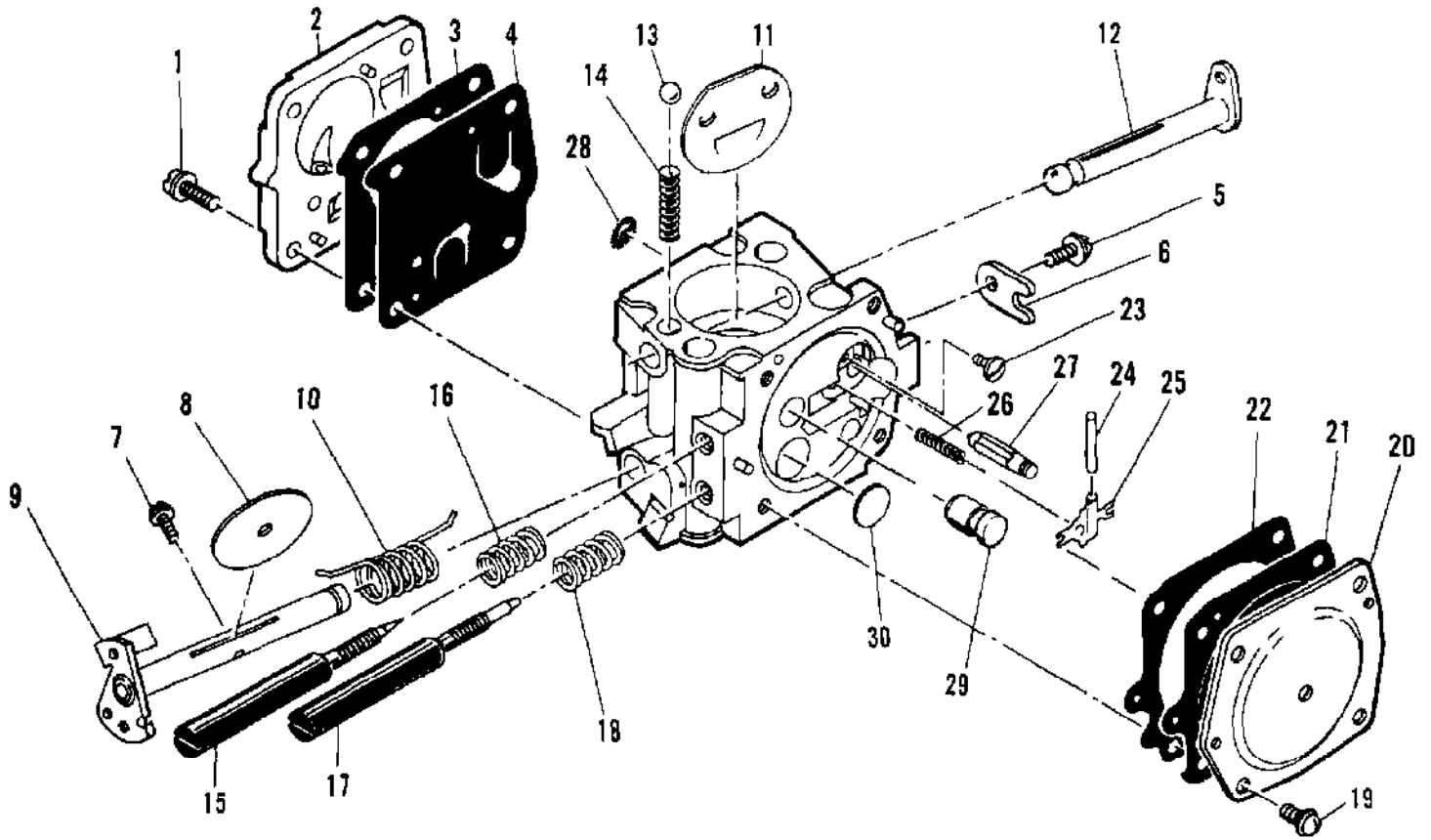


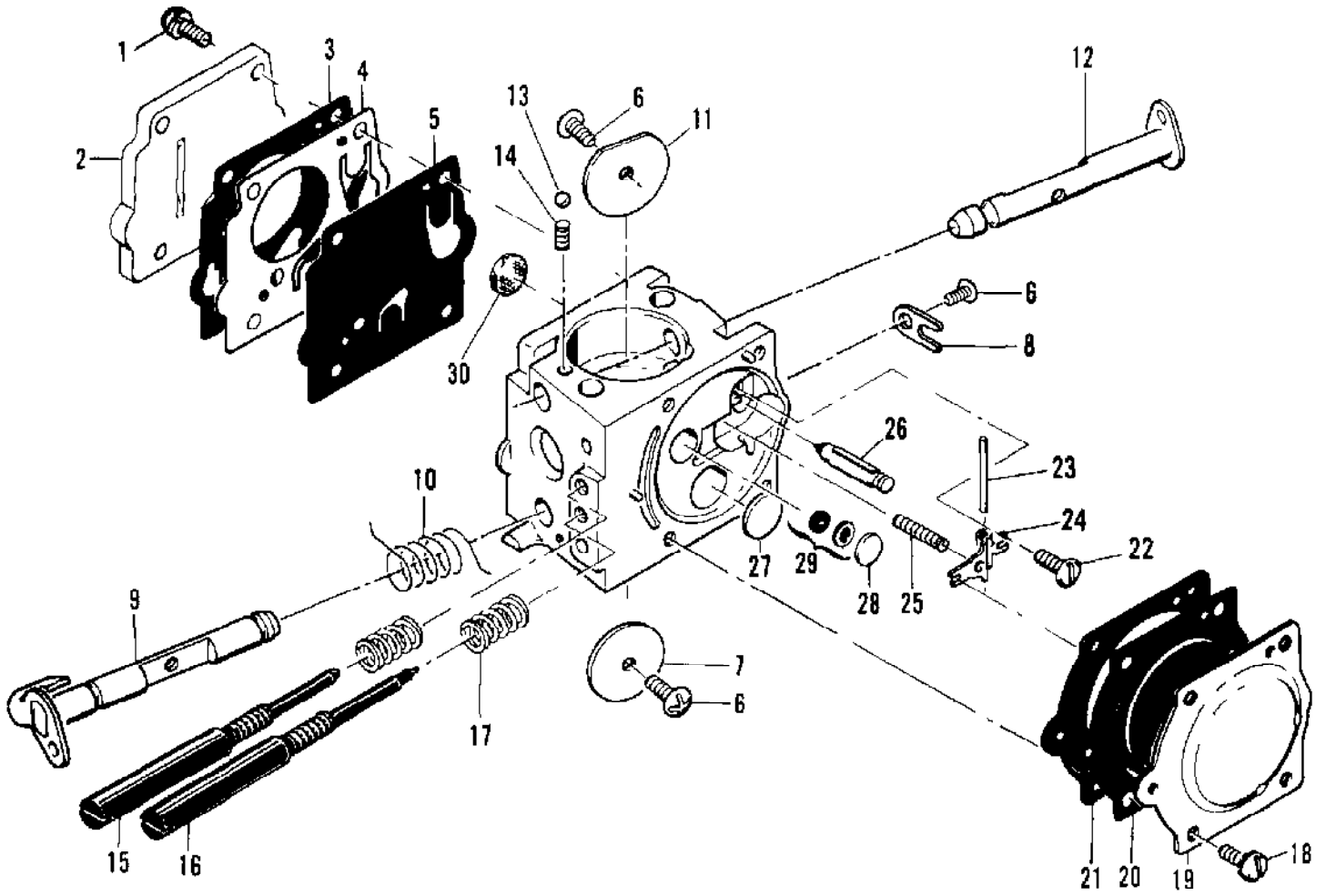
No
Diagram
Available

Parts List
Only

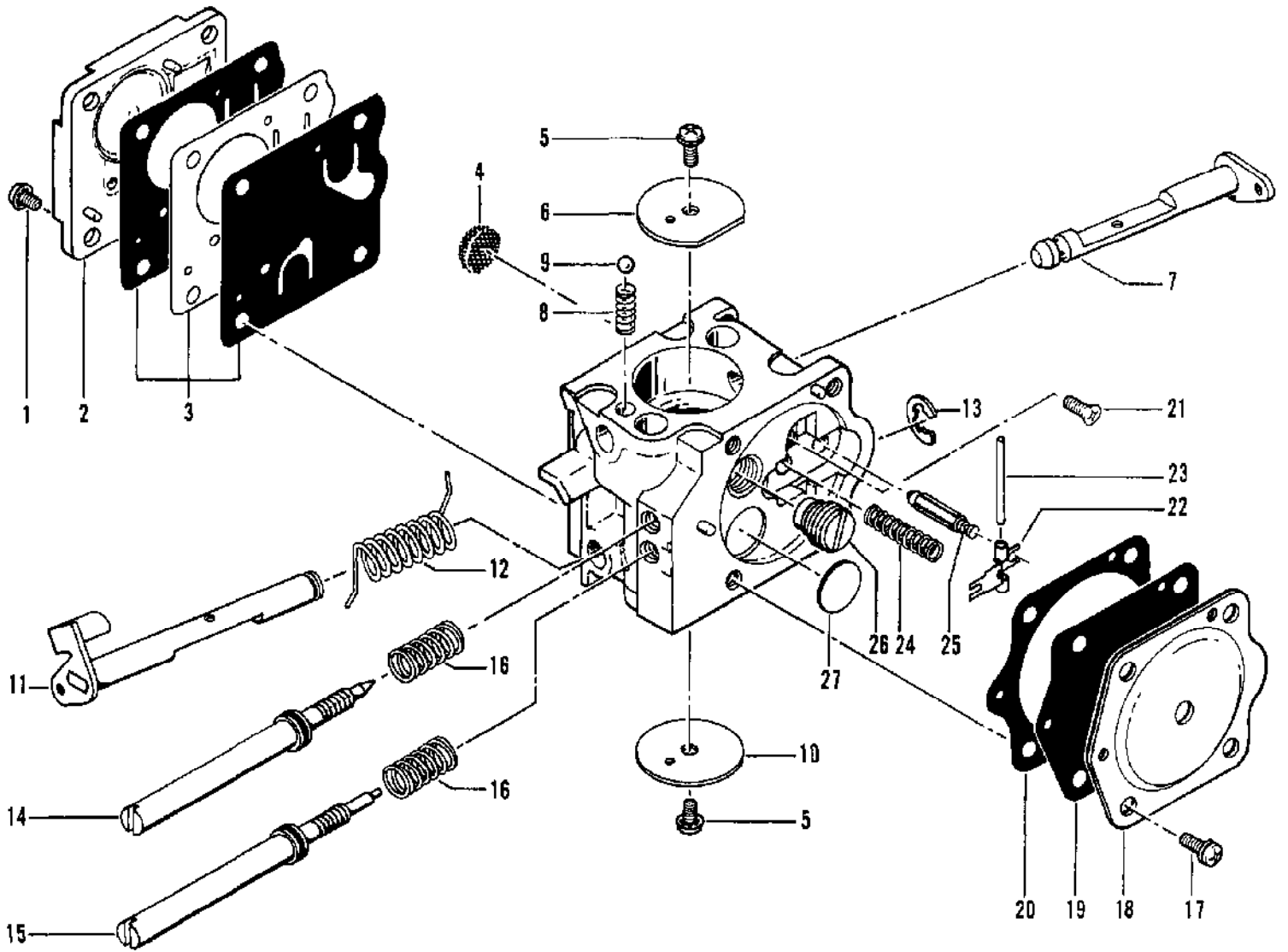
| Ref # | Part Number | Qty | Description |
|-------|-------------|-----|-----------------------------|
| | 84453 | | Kit - Piston tool |
| | 69191 | | Kit - Pressure test adaptor |
| | 63097 | | Spark Plug (standard) |
| | 63432 | | Spark Plug (cooler) |
| | 62827 | | Wrench/Screwdriver |
| | 83235 | | Scrench |
| | 93014 | | Baffle - Spark Arrester |
| | 91967 | | Kit - Spike |
| | 102388 | | Screw - Hx hd 10-24 x 5/8 |
| | 24236 | | Washer - Special |
| | 101191 | | Nut - Hx 10-24 |
| | 93886 | | Kit - Mount |



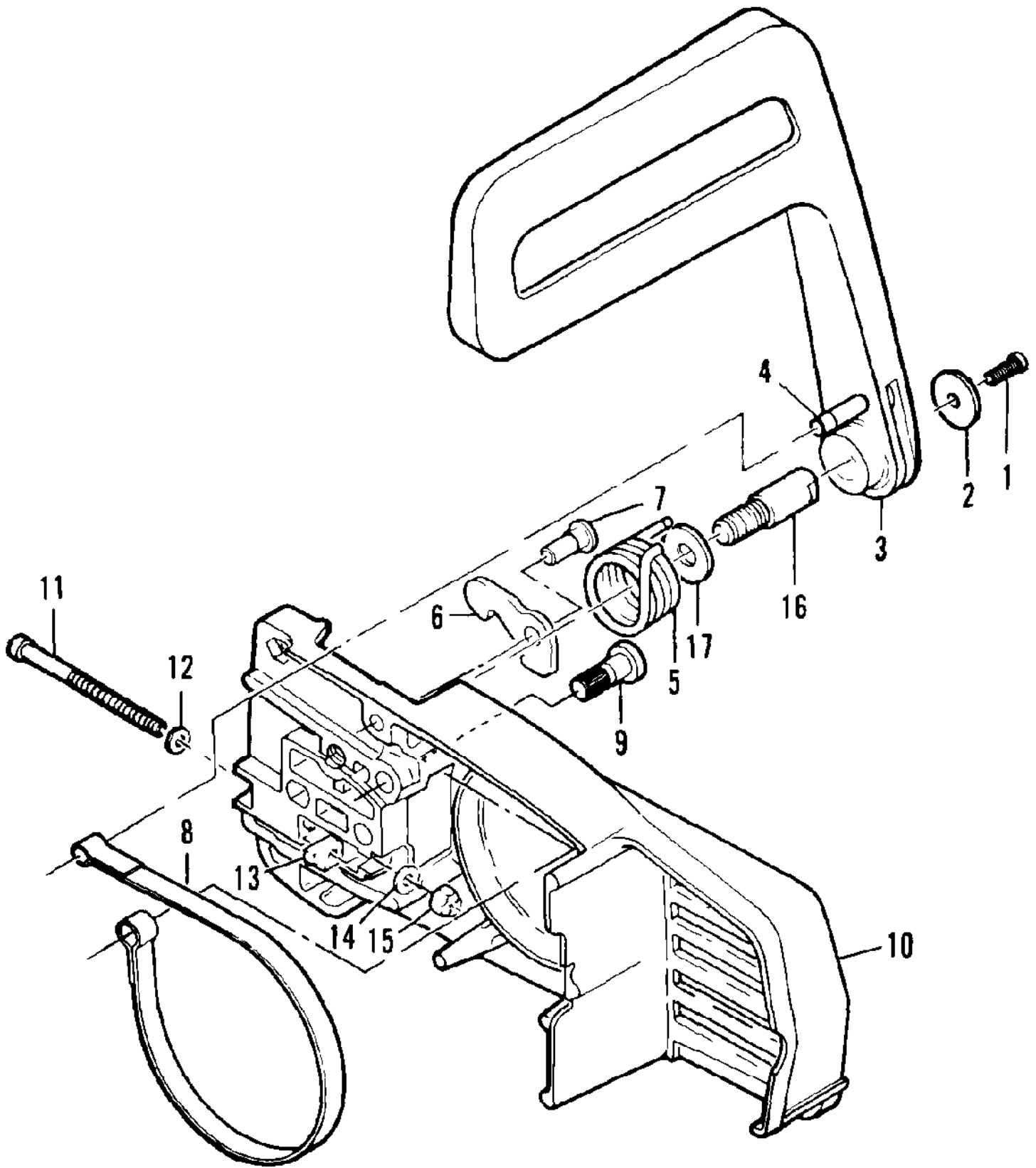
| Ref # | Part Number | Qty | Description |
|-------|-------------|-----|----------------------------|
| | 85916 | 1 | Carburetor Asy - HS 111A |
| 1 | 52933 | 4 | Screw - Pump cover |
| 2 | 66628 | 1 | Cover - Pump |
| 3 | 66629 | 1 | Gasket - Cover |
| 4 | 66630 | 1 | Diaphragm - Fuel pump |
| 5 | 48780 | 1 | Screw - Clip retainer |
| 6 | 66646 | 1 | Clip - Throttle shaft |
| 7 | 48780 | 1 | Screw - Plate |
| 8 | 51720 | 1 | Plate - Throttle |
| 9 | 83546 | 1 | Shaft Asy - Throttle |
| 10 | 67136 | 1 | Spring - Throttle return |
| 11 | 65856 | 1 | Plate - Choke |
| 12 | 83725 | 1 | Shaft Asy - Choke |
| 13 | 100071 | 1 | Ball - Choke friction |
| 14 | 52930 | 1 | Spring - Choke friction |
| 15 | 86169 | 1 | Needle - High speed |
| 16 | 52936 | 1 | Spring - High Speed needle |
| 17 | 86170 | 1 | Needle - Idle |
| 18 | 67133 | 1 | Spring - Idle needle |
| 19 | 51721 | 4 | Screw - Diaphragm cover |
| 20 | 83724 | 1 | Cover - Diaphragm |
| 21 | 66632 | 1 | Diaphragm - Metering |
| 22 | 66633 | 1 | Gasket - Diaphragm |
| 23 | 83479 | 1 | Screw - Lever pin |
| 24 | 66636 | 1 | Pin - Lever |
| 25 | 66638 | 1 | Lever - Metering |
| 26 | 66404 | 1 | Spring - Lever |
| 27 | 66637 | 1 | Valve - Needle |
| 28 | 66623 | 1 | Screen - Fuel inlet |
| 29 | 83729 | 1 | Check Valve - Nozzle |
| 30 | 66622 | 1 | Plug - Welch |



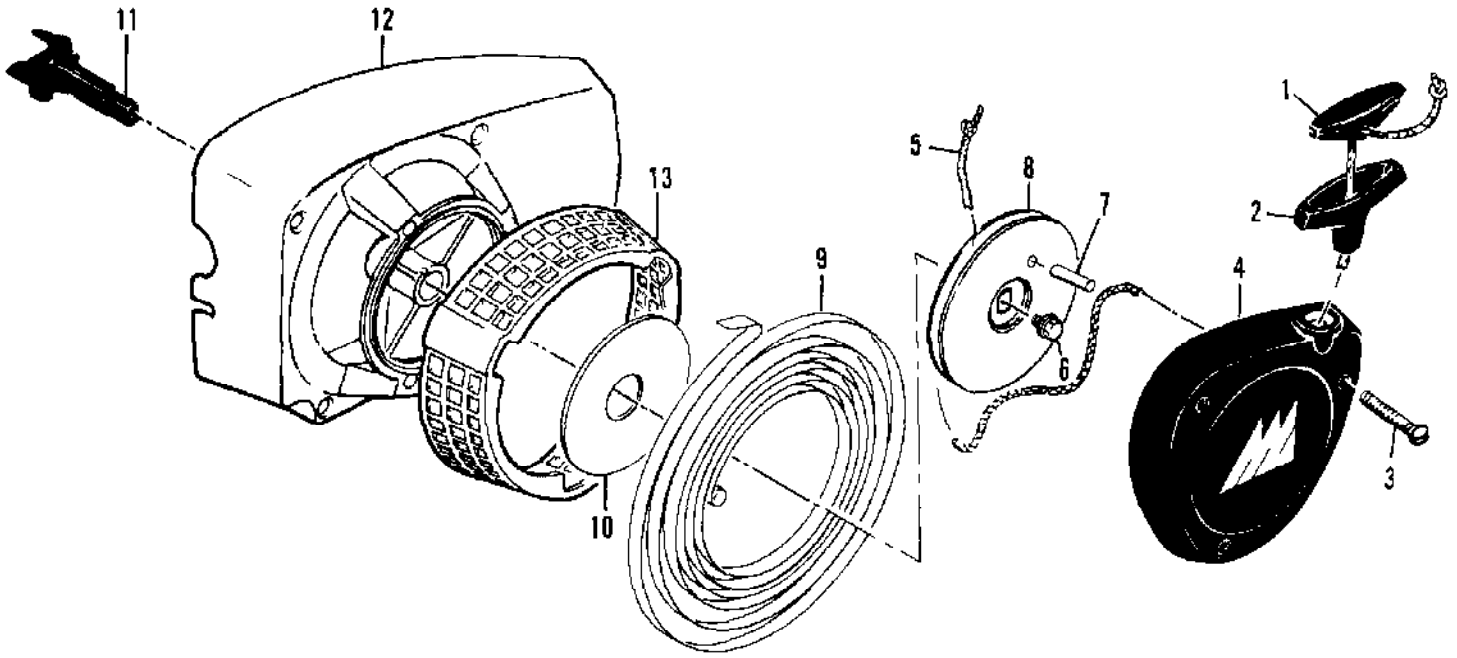
| Ref # | Part Number | Qty | Description |
|-------|-------------|-----|--------------------------|
| | 87821 | 1 | Carburetor Asy - SDC 38A |
| 1 | 67501 | 4 | Screw - Pump cover |
| 2 | 88731 | 1 | Kit - Pump cover |
| 3 | 88617 | 1 | Gasket - Cover |
| 4 | 67498 | 1 | Diaphragm - Check valve |
| 5 | 83114 | 1 | Diaphragm - Fuel pump |
| 6 | 47690 | 3 | Screw - Plate |
| 7 | 83762 | 1 | Plate - Throttle |
| 8 | 67489 | 1 | Clip - Shaft |
| 9 | 85980 | 1 | Shaft Asy - Throttle |
| 10 | 85981 | 1 | Spring - Throttle return |
| 11 | 67490 | 1 | Plate - Choke |
| 12 | 67488 | 1 | Shaft Asy - Choke |
| 13 | 100302 | 1 | Ball - Choke friction |
| 14 | 67504 | 1 | Spring - Choke friction |
| 15 | 85979 | 1 | Needle - High Speed |
| 16 | 85982 | 1 | Needle - Idle |
| 17 | 67502 | 2 | Spring - Needle |
| 18 | 70798 | 4 | Screw - Diaphragm |
| 19 | 83761 | 1 | Cover - Diaphragm |
| 20 | 67499 | 1 | Diaphragm - Metering |
| 21 | 67496 | 1 | Gasket - Diaphragm |
| 22 | 67500 | 1 | Screw - Lever pin |
| 23 | 67508 | 1 | Pin - Lever |
| 24 | 67509 | 1 | Lever - Inlet |
| 25 | 67503 | 1 | Spring - Lever |
| 26 | 67491 | 1 | Valve - Needle |
| 27 | 71690 | 1 | Plug - 3/8 |
| 28 | 69506 | 1 | Plug - 5/16 |
| 29 | 83758 | 1 | Kit - Valve & Seat Asy |
| 30 | 67507 | 1 | Screen - Fuel |
| | 67482 | | Gasket Kit |
| | 85987 | | Repair Kit |



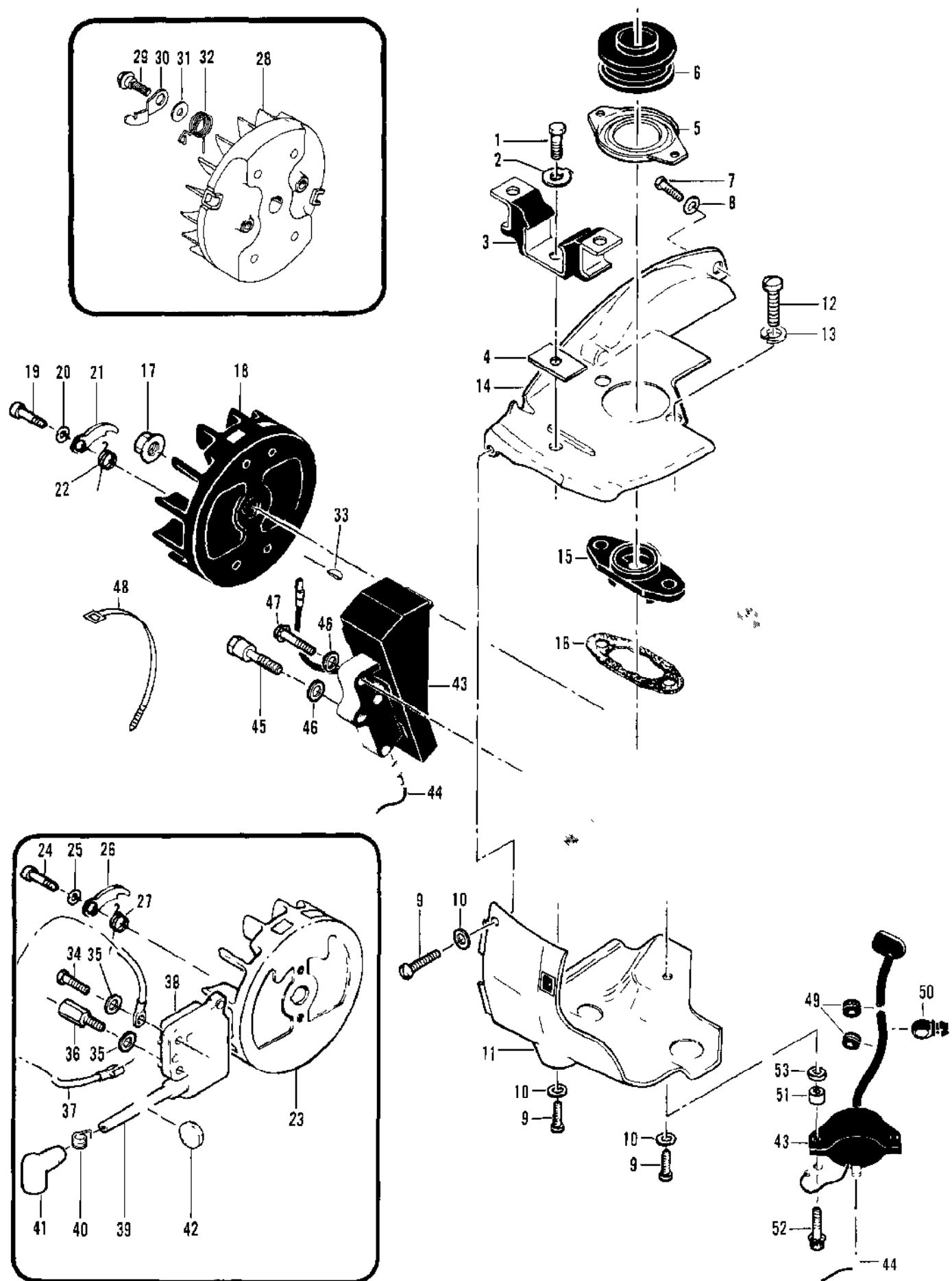
| Ref # | Part Number | Qty | Description |
|-------|-------------|-----|---------------------------|
| | 93789 | | Carburetor Asy (Zama C-2) |
| 1 | 91809 | 4 | Screw - Pump cover (m4) |
| 2 | 93939 | 1 | Cover - Fuel pump |
| 3 | 93952 | 1 | Kit - Pump diaphragm |
| 4 | 91820 | 1 | Screen - Filter |
| 5 | 91804 | 2 | Screw - Plate |
| 6 | 93953 | 1 | Valve - Choke |
| 7 | 93954 | 1 | Shaft Asy - Choke |
| 8 | 93955 | 1 | Spring - Choke shaft |
| 9 | 93956 | 1 | Ball - Choke friction |
| 10 | 93937 | 1 | Valve - Throttle |
| 11 | 93935 | 1 | Shaft Asy - Throttle |
| 12 | 93936 | 1 | Spring - Throttle return |
| 13 | 93938 | 1 | E - Ring |
| 14 | 93946 | 1 | Needle - High speed |
| 15 | 93947 | 1 | Needle - Idle |
| 16 | 93948 | 2 | Spring - Needle |
| 17 | 93945 | 4 | Screw - Diaphragm cover |
| 18 | 93944 | 1 | Cover - Diaphragm |
| 19 | 93943 | 1 | Diaphragm Asy - Main |
| 20 | 93949 | 1 | Gasket - Main |
| 21 | 91814 | 1 | Screw - Lever pin (m3) |
| 22 | 93941 | 1 | Lever - Inlet |
| 23 | 93942 | 1 | Pin - Lever |
| 24 | 93940 | 1 | Spring - Lever |
| 25 | 91810 | 1 | Valve - Needle |
| 26 | 93950 | 1 | Valve Asy - Main jet |
| 27 | 93951 | 1 | Plug - Welsh |
| | 93957 | | Repair Kit |



| Ref # | Part Number | Qty | Description |
|-------|-------------|-----|------------------------------|
| | 92988 | | CHAIN BRAKE Asy |
| 1 | 102500 | 1 | Screw - Pan hd 10-24 x 1/2 |
| 2 | 91273 | 1 | Washer - Special |
| 3 | 93076 | 1 | Lever Asy |
| 4 | 93077 | 1 | Pin Asy - Roller |
| 5 | 93085 | 1 | Spring - Brake |
| 6 | 93083 | 1 | Latch |
| 7 | 93669 | 1 | Pivot - Latch |
| 8 | 93081 | 1 | Band - Brake |
| 9 | 93082 | 1 | Pin - Band Anchor |
| 10 | 92987 | 1 | Housing Asy - Brake |
| 11 | 110527 | 1 | Screw - Fil hd 10-24 x 2-3/4 |
| 12 | 110264 | 1 | Washer - #10 |
| 13 | 61705 | 1 | Nut - Bar adjusting |
| 14 | 100002 | 1 | Washer - #10 |
| 15 | 102067 | 1 | Nut - Hx 10-24 |
| 16 | 91246 | 1 | Pin - Lever pivot |
| 17 | 91245 | 1 | Washer - Thrust |

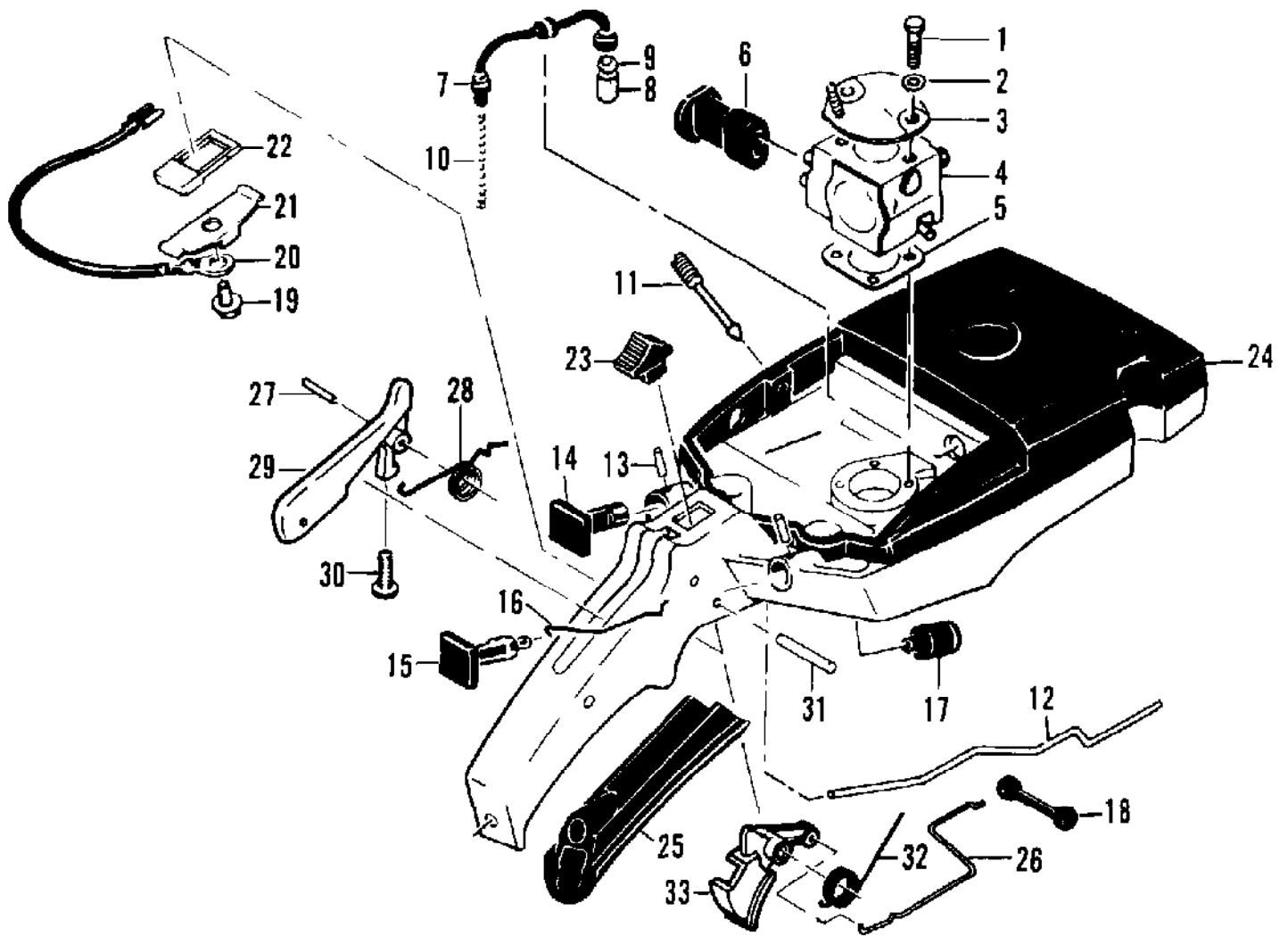


| Ref # | Part Number | Qty | Description |
|-------|-------------|-----|------------------------------|
| | 90921A | 1 | Fan Housing & Starter Asy |
| 1 | 62191A | 1 | Insert - Starter |
| 2 | 93137 | 1 | Handle - Starter |
| 3 | 110646 | 3 | Screw - Oval hd 8-32 x 1-1/8 |
| 4 | 87672 | 1 | Cover Asy - Starter |
| 5 | 87670 | 1 | Rope - Starter |
| 6 | 110341 | 1 | Screw - Hex hd 10-24 x 1/2 |
| 7 | 105841 | 1 | Pin - Roll |
| 8 | 87689 | 1 | Drum - Starter |
| 9 | 87680 | 1 | Spring - Rewind |
| 10 | 86053 | 1 | Shield - Spring |
| 11 | 83748 | 1 | Shaft - Starter |
| 12 | 87693 | 1 | Kit - Fan housing |
| 13 | 87674 | 1 | Guard - Sawdust |

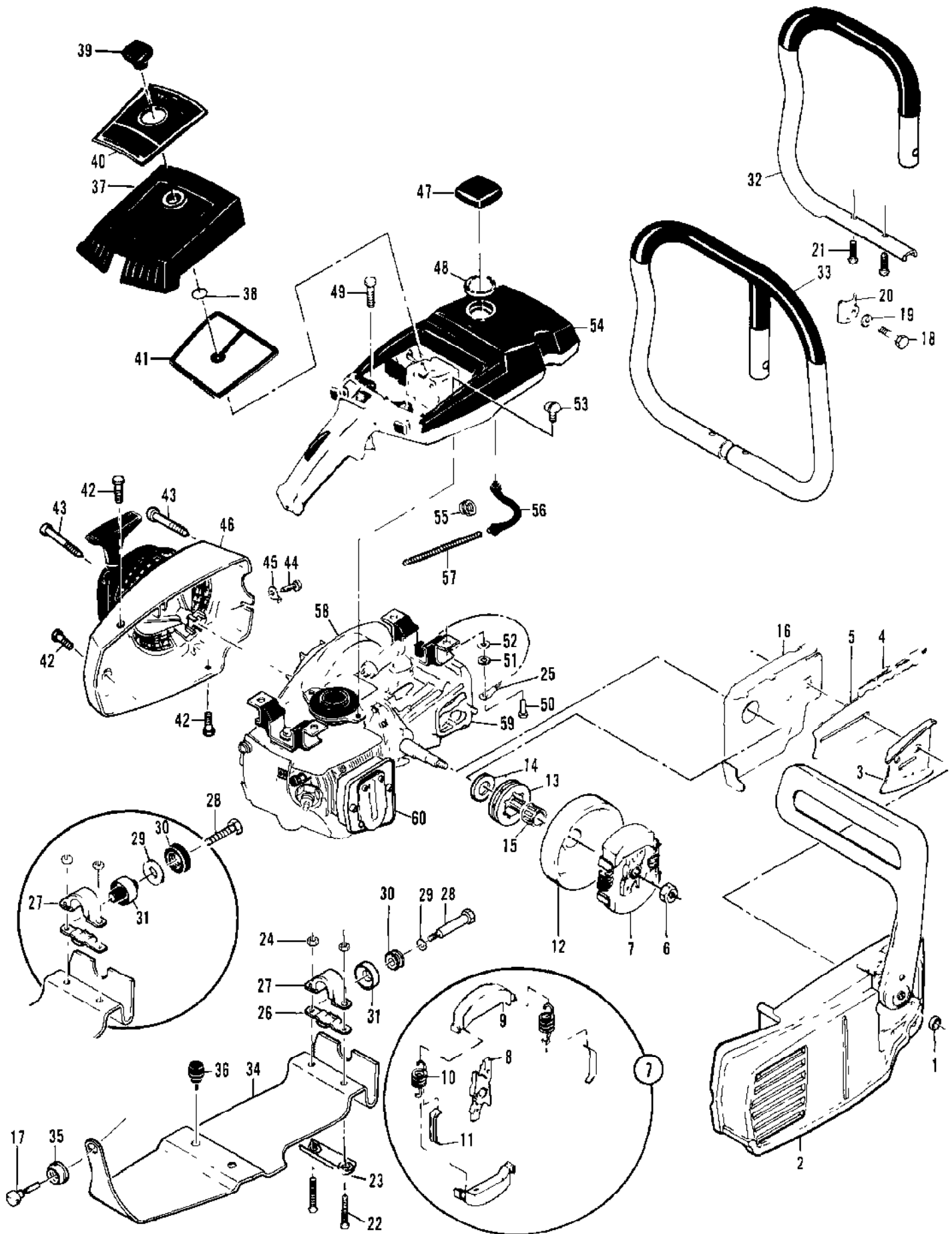


| Ref # | Part Number | Qty | Description |
|-------|-------------|-----|----------------------------------|
| 1 | 83811 | 1 | Screw - Special |
| 2 | 69924 | 1 | Lockplate |
| 3 | 91578A | 1 | Mount - Rear |
| 3 | 93925 | 1 | Mount - Rear |
| 4 | 84619 | 1 | Insulator |
| 5 | 86175 | 1 | Clamp Asy - Boot |
| 6 | 88834A | 1 | Boot - Port |
| 7 | 110776 | 1 | Screw - Fil hd 8-32 x 3/8 |
| 8 | 100057 | 1 | Lockwasher - #8 |
| 9 | 102500 | AR | Screw - Pan hd 10-24 x 1/2 |
| 10 | 100002 | AR | Washer - #10 |
| 11 | 92815 | 1 | Shroud - Lower |
| 11 | 86314A | 1 | Shroud - Lower |
| 12 | 104396 | 2 | Screw - Pan hd 10-24 x 3/4 |
| 13 | 101194 | 2 | Lockwasher - #10 |
| 14 | 88835A | 1 | Shroud - Upper |
| 15 | 87844 | 1 | Insulator - Inlet |
| 16 | 88740 | 1 | Gasket - Insulator |
| 17 | 110703 | 1 | Nut - Hex 3/8-24 |
| 18 | 92886 | 1 | Flywheel Asy (black) |
| 19 | 88804 | 2 | Screw - Special |
| 20 | 83241 | 2 | Washer - Special |
| 21 | 67546 | 2 | Pawl - Starter |
| 22 | 67545 | 2 | Spring - Pawl |
| 23 | 86068 | 1 | Flywheel Asy |
| 24 | 88804 | 2 | Screw - Special |
| 25 | 83241 | 2 | Washer - Special |
| 26 | 67546 | 2 | Pawl - Starter |
| 27 | 67545 | 2 | Spring - Pawl |
| 28 | 86068A | 1 | Flywheel Asy |
| 29 | 93464 | 2 | Screw - Pawl |
| 30 | 93198 | 2 | Pawl - Starter |
| 31 | 93469 | 2 | Washer - Pawl |
| 32 | 93197 | 2 | Spring - Pawl |
| 33 | 100106 | 1 | Key - Woodruff |
| 34 | 110127 | 1 | Screw - Hx hd 10-24 x 7/8 (SEMS) |
| 35 | 100002 | 2 | Washer - #10 |
| 36 | 83512 | 1 | Stud - Special |
| 37 | 85798 | 1 | Wire Asy - Ground |
| 38 | 92785 | 1 | Electronic Ignition Asy |
| 39 | 92796 | 1 | Wire Asy - Spark Plug |
| 40 | 102556 | 1 | Connector |
| 41 | 95266 | 1 | Boot |
| 42 | 110995 | 1 | Grommet |
| 43 | 95237 | 1 | Kit - Electronic ignition |
| 44 | 92848 | 1 | Wire Asy - Primary |
| | 92889 | | Stud - Fan Housing |
| 45 | | 1 | Mounting |
| 46 | 100002 | 2 | Washer - #10 |
| 47 | 103947 | 1 | Screw - Hx 10-24 x 1.0 |
| 48 | 93273 | 1 | Tie Cable |
| 49 | 100268 | 2 | Grommet |
| 50 | 110973 | 1 | Clip - Guide .375 |
| 51 | 92890 | 2 | Spacer - Transformer |
| 52 | 110749 | 2 | Screw - Hx W 10-24 x 1-1/8 |

| Ref # | Part Number | Qty | Description |
|-------|-------------|-----|--------------|
| 53 | 100002 | 2 | Washer - #10 |

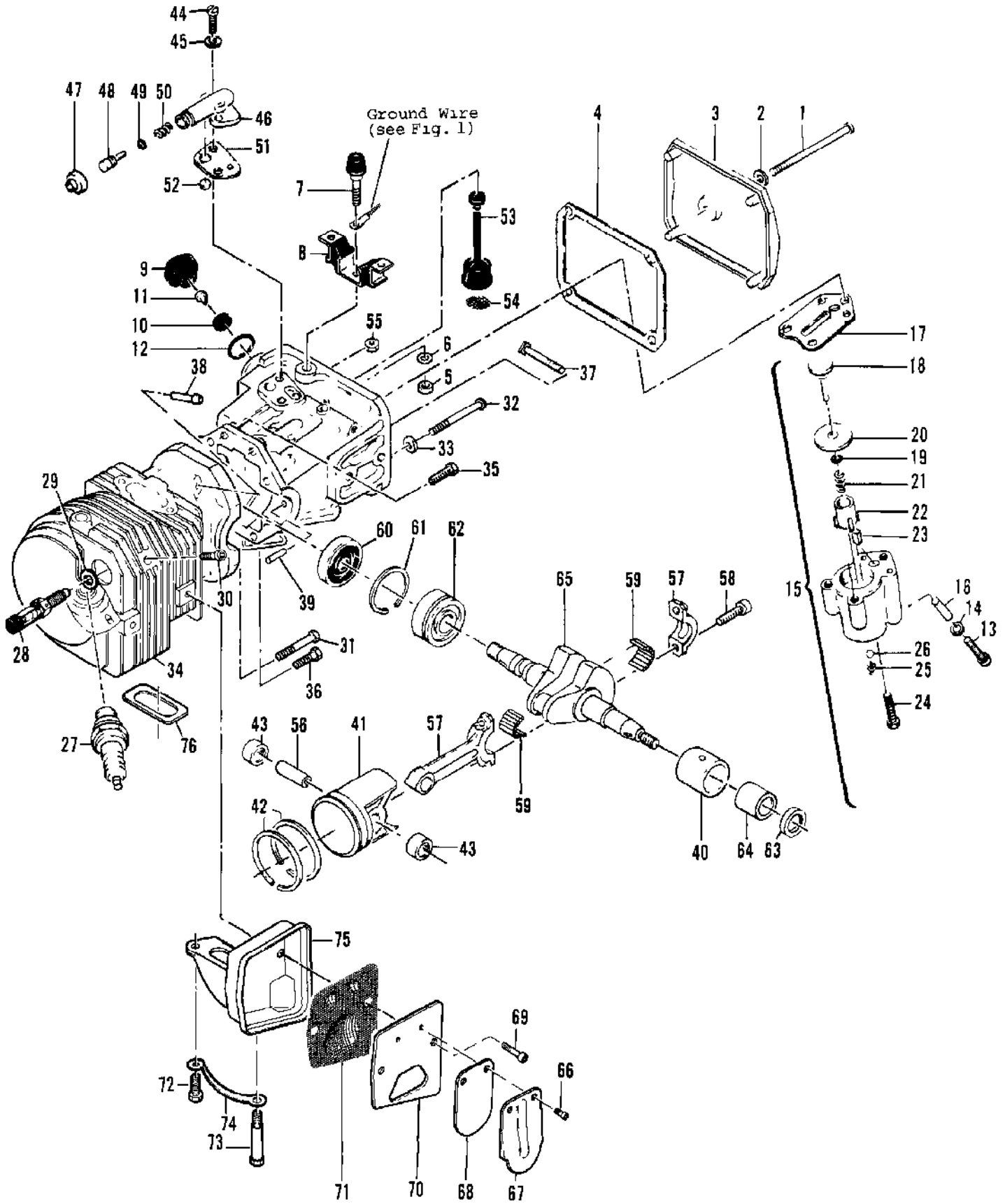


| Ref # | Part Number | Qty | Description |
|-------|-------------|-----|---|
| 1 | 110894 | 2 | Screw - Hx hd 10-24 x 2-1/8 |
| 2 | 110964 | 2 | Washer |
| 3 | 69952 | 1 | Bracket - Air Cleaner |
| 4 | | | Carburetor Asy See "Carburetor Assembly (Zama C-2)", "Carburetor Assembly (SDC 38A)" and "Carburetor Assembly (HS 111A)" illustration and parts list. |
| 5 | 86189 | 1 | Gasket - Carburetor |
| 6 | 69629 | 1 | Boot - Carburetor controls |
| 6 | 85901 | 1 | Boot - Carburetor controls |
| 7 | 64848 | 1 | Hose Assembly - Fuel |
| 8 | 63932 | 1 | Filter - Fuel |
| 9 | 100440 | 1 | Washer |
| 10 | 67944 | 1 | Spring - Hose |
| 11 | 86273 | 1 | Screw -Idle speed |
| 12 | 92903 | 1 | Rod - Oiler |
| 13 | 105673 | 2 | Pin - Roll 3/32 x 9/16 |
| 14 | 63044 | 1 | Button - Oiler |
| 15 | 69630 | 1 | Button - Choke |
| 16 | 69631 | 1 | Rod - Choke |
| 17 | 69597 | 2 | Boot - Control rod |
| 18 | 69043 | 1 | Snubber - Rod |
| 19 | 110706 | 1 | Screw - Fil hd 8-18 x 1/2 |
| 20 | 83661 | 1 | Wire Asy - Stop switch |
| 20 | 92888 | 1 | Wire Asy - Stop switch |
| 21 | 62451 | 1 | Contact - Switch |
| 22 | 62950A | 1 | Base - Switch |
| 23 | 68846 | 1 | Button - Switch |
| 24 | 94025 | 1 | Tank/Control Asy |
| 25 | 89320 | 1 | Insert - Handle grip |
| 26 | 92155 | 1 | Rod - Throttle |
| 27 | 105654 | 1 | Pin - Roll 1/8 x 7/8 |
| 28 | 92154 | 1 | Spring - Trigger release |
| 29 | 94275 | 1 | Release Asy - Trigger |
| 30 | 111012 | 1 | Screw - Pan hd 4-40 x 5/16 |
| 31 | 110378 | 1 | Pin - Roll 3/16 x 15/16 |
| 32 | 92152 | 1 | Spring - Trigger |
| 33 | 92151A | 1 | Trigger - Throttle |
| | 87821 | | Carburetor Asy |
| | 93789 | | Carburetor Asy |
| | 85916 | | Carburetor Asy |



| Ref # | Part Number | Qty | Description |
|-------|-------------|-----|--|
| 1 | 110961 | 2 | Nut - Hx 5/16-24 |
| 2 | | | CHAIN BRAKE See "Chain Brake Assembly" illustration and parts list. |
| 3 | 64325 | 1 | Plate - Bar protector |
| 4 | | 1 | Chain Asy |
| 5 | | 1 | Bar Asy |
| 6 | 86113 | 1 | Nut - Hx 3/8-24 (L.H.) |
| 7 | 87675 | 1 | Clutch Asy |
| 8 | 89438 | 1 | Rotor - Clutch |
| 9 | 67233 | 1 | Kit - Clutch shoe |
| 10 | 83223 | 2 | Spring - Clutch |
| 11 | 64583 | 2 | Retainer - Clutch spring |
| 12 | 95166 | 1 | Kit - Drum & Sprocket 7 T .375P |
| 13 | 86145 | 1 | Sprocket |
| 14 | 86958 | 1 | Washer - Sprocket |
| 15 | 110971 | 1 | Bearing - Sprocket |
| 16 | 84978A | 1 | Shield - Sawdust |
| 17 | 93037 | 1 | Screw - Frame Brace |
| 18 | 102130 | 1 | Screw - Hx 1/4-20 x 1-1/2 |
| 19 | 100153 | 1 | Lockwasher - 1/4 |
| 20 | 63484 | 1 | Clamp - Frame |
| 21 | 104395 | 2 | Screw - Pan 10-24 x 5/8 |
| 22 | 103353 | 2 | Screw - Hx hd 10-24 x 1-1/2 |
| 23 | 93736 | 1 | Clamp - Frame |
| 24 | 101191 | 2 | Nut - Hx Lock 10-24 x 5/8 |
| 25 | 83828A | 1 | Wire Asy - Ground |
| 26 | 92701 | 1 | Clamp - Bottom |
| 27 | 92700 | 1 | Clamp - Top |
| 27 | 93932 | 1 | Clamp - Top |
| 28 | 93096 | 1 | Screw - Shoulder |
| 29 | 94114 | 1 | Washer - 1/4 |
| 30 | 92703 | 1 | Hub - Mount |
| 31 | 92704 | 1 | Mount |
| 28 | 110679 | 1 | Screw - Hx hd 1/4-20 x 2 |
| 29 | 110845 | 1 | Washer - Plain |
| 30 | 84661 | 1 | Grommet |
| 31 | 85898 | 1 | Mount |
| 32 | 92698 | 1 | Frame & Grip Asy |
| 33 | 92707 | 1 | Frame & Grip Asy |
| 34 | 92696 | 1 | Brace - Frame |
| 35 | 93032 | 1 | Grommet - Frame Brace |
| 36 | 89403 | 2 | Bumper - Lower |
| 37 | 85850A | 1 | Cover Asy - Air cleaner |
| 38 | 110565 | 1 | Ring - Retaining |
| 39 | 68529 | 1 | Knob - Cover |
| 40 | 93170 | 1 | Nameplate |
| 41 | 85387 | 1 | Filter - Air |
| 42 | 110741 | 3 | Screw - Pan hd 10-24 x 1/2 |
| 43 | 87871 | 3 | Screw - Special |
| 44 | 102762 | 1 | Screw - Hx hd 10-24 x 1/2 |
| 45 | 69890 | 1 | Lockplate |
| 46 | | | Fan Housing & Starter Asy See "Fan Housing & Starter Asys." illustration and parts list. |
| 47 | 89322 | 1 | Cap Asy - Fuel |

| Ref # | Part Number | Qty | Description |
|-------|-------------|-----|--|
| 48 | 69767 | 1 | Gasket |
| 49 | 110746 | 2 | Screw - Hx hd 10-24 x 1/2 |
| 50 | 102861 | 2 | Screw - Hx hd 1/4-20 x 5/8 |
| 51 | 100153 | 2 | Lockwasher - 1/4 |
| 52 | 100005 | 2 | Washer - 1/4 |
| 53 | 110807 | 2 | Screw - Pan hd 8-32 x 5/16 |
| 54 | | | Fuel Tank Asy See "Fuel Tank Assembly" illustration and parts list. |
| 55 | 87826 | 2 | Clamp - Hose |
| 56 | 69598 | 1 | Line - Pulse |
| 57 | 67944 | 1 | Spring - Hose |
| 58 | | | Flywheel & Ignition System See "Flywheel & Ignition System" illustration and parts list. |
| 59 | | | Powerhead & Oiler Asys See "Powerhead & Oiler Assemblies" illustration and parts list. |
| 60 | | | Muffler Asy See "Powerhead & Oiler Assemblies" illustration and parts list. |



| Ref # | Part Number | Qty | Description |
|-------|-------------|-----|---|
| 1 | 110291 | 1 | Screw - Pan hd 10-24 x 2-5/8 |
| 2 | 110921 | 1 | Washer - Sealing |
| 3 | 86304 | 1 | Cover - Oil tank |
| 4 | 86306 | 1 | Gasket - Cover |
| 5 | 101143 | 1 | Nut - Hx 1/4-20 |
| 6 | 102523 | 1 | Washer - 1/4 |
| 7 | 69832 | 1 | Bumper - Front |
| 8 | 91582A | 1 | Mount - Front |
| 8 | 93926 | 1 | Mount - Front |
| 9 | 87270 | 1 | Cap - Oil tank |
| 10 | 87269 | 1 | Retainer - Valve |
| 11 | 86402 | 1 | Valve |
| 12 | 101148 | 1 | "O" Ring |
| 13 | 110865 | 1 | Screw - Skt hd 10-24 x 7/8 |
| 14 | 100003 | 1 | Washer - #10 |
| 15 | 89115B | 1 | Pump Asy - Pulse |
| 16 | 91774 | 1 | Sleeve |
| 17 | 92818 | | Seal - Pulse pump |
| 18 | 60260B | 1 | Piston Asy - Pump |
| 19 | 105603 | 1 | "O" Ring |
| 20 | 86182 | 1 | Ring - Piston |
| 21 | 60259 | 1 | Spring - Piston |
| 22 | 62227 | 1 | Sleeve - Adjustment |
| 23 | 91259 | 1 | Pad - Oil pump |
| 24 | 110386 | 1 | Screw - Hx hd 8-32 x 1 |
| 25 | 92844 | 1 | Spring - Outlet valve |
| 26 | 102809 | 1 | Ball - Outlet valve |
| 27 | 63097 | 1 | Spark Plug Used on models 600439A. |
| 27 | 63432 | 1 | Spark Plug Used on models 600439D, 600439F and 600439J. |
| 27 | 93017 | 1 | Spark Plug Used on models 600439B and 600439E. |
| 28 | 94273 | 1 | Valve - DSP |
| 29 | 85505 | 1 | Washer - Valve |
| 30 | 110681 | 1 | Screw - Skt hd 10-24 x 1/4 |
| 31 | 110644 | 1 | Screw - Hx hd 8-32 x 1-1/2 |
| 32 | 62106 | 4 | Screw Asy - Sealing |
| 33 | 62842 | 4 | Washer - Sealing |
| 34 | 95167 | 1 | Kit - Cyl., C' case, piston |
| 35 | 110288 | 2 | Screw - Hx hd 8-32 x 3/4 |
| 36 | 110963 | 1 | Screw Hx hd 8-32 x 1W |
| 37 | 62065 | 2 | Bolt - Bar mounting |
| 38 | 69600 | 1 | Nipple - Pulse line |
| 39 | 110851 | 1 | Pin - Dowel |
| 40 | 87152 | 1 | Insert - Bearing |
| 41 | 92518 | 1 | Piston Asy "A" |
| | 92519 | 1 | Piston Asy "B" |
| | 92520 | 1 | Piston Asy "C" |
| 42 | 87854 | 1 | Ring Set - Piston |
| 43 | 111021 | 2 | Bearing - Needle |
| 44 | 110338 | 2 | Screw - Pan hd 8-32 x 1/2 |
| 45 | 110613 | 2 | Washer - #8 |
| 46 | 84156 | 1 | Housing - Pump |
| 47 | 62262 | 1 | Cap - Housing |
| 48 | 92902 | 1 | Plunger - Pump |
| 49 | 105614 | 1 | "O" Ring |

| Ref # | Part Number | Qty | Description |
|-------|-------------|-----|-----------------------------|
| 50 | 66687 | 1 | Spring - Pump |
| 51 | 91669 | 1 | Gasket - Pump |
| 52 | 91668 | 1 | Valve - Pump |
| 53 | 91672 | 1 | Hose - Oil |
| 54 | 51506 | 1 | Screen - Hose |
| 55 | 100955 | 1 | Nut - Hex 8-32 |
| 56 | 69020 | 1 | Pin - Piston |
| 57 | 85237 | 1 | Connecting Rod Asy |
| 58 | 61627A | 2 | Screw - Special |
| 59 | 85246 | 1 | Roller - (set of 22) |
| 60 | 61618 | 1 | Seal - Oil |
| 61 | 63464 | 1 | Ring - Snap |
| 62 | 63429B | 1 | Bearing - Ball |
| 63 | 110260 | 1 | Seal - Oil |
| 64 | 104357 | 1 | Bearing - Needle |
| 65 | 92885 | 1 | Crankshaft |
| 66 | 110563 | 2 | Screw - Skt hd 8-32 x 1/4 |
| 67 | 87193 | 1 | Stop - Reed |
| 68 | 85585A | 1 | Valve - Reed |
| 69 | 101563 | 2 | Screw - Skt 10-24 x 1-1/4 |
| 70 | 93016A | 1 | Cover - Spark Arrester |
| 71 | 93014 | 1 | Baffle - Spark Arrester (A) |
| 72 | 110529 | 1 | Screw - Hx hd 10-24 x 1/2 |
| 73 | 84578 | 1 | Screw - Special |
| 74 | 84579 | 1 | Plate - Lock |
| 75 | 93011 | 1 | Body & Duct Asy |
| 76 | 84577A | 1 | Gasket - Muffler |
| | 87151 | | Needle Insert/Bearing Asy |
| | 92519 | | Piston Assembly |