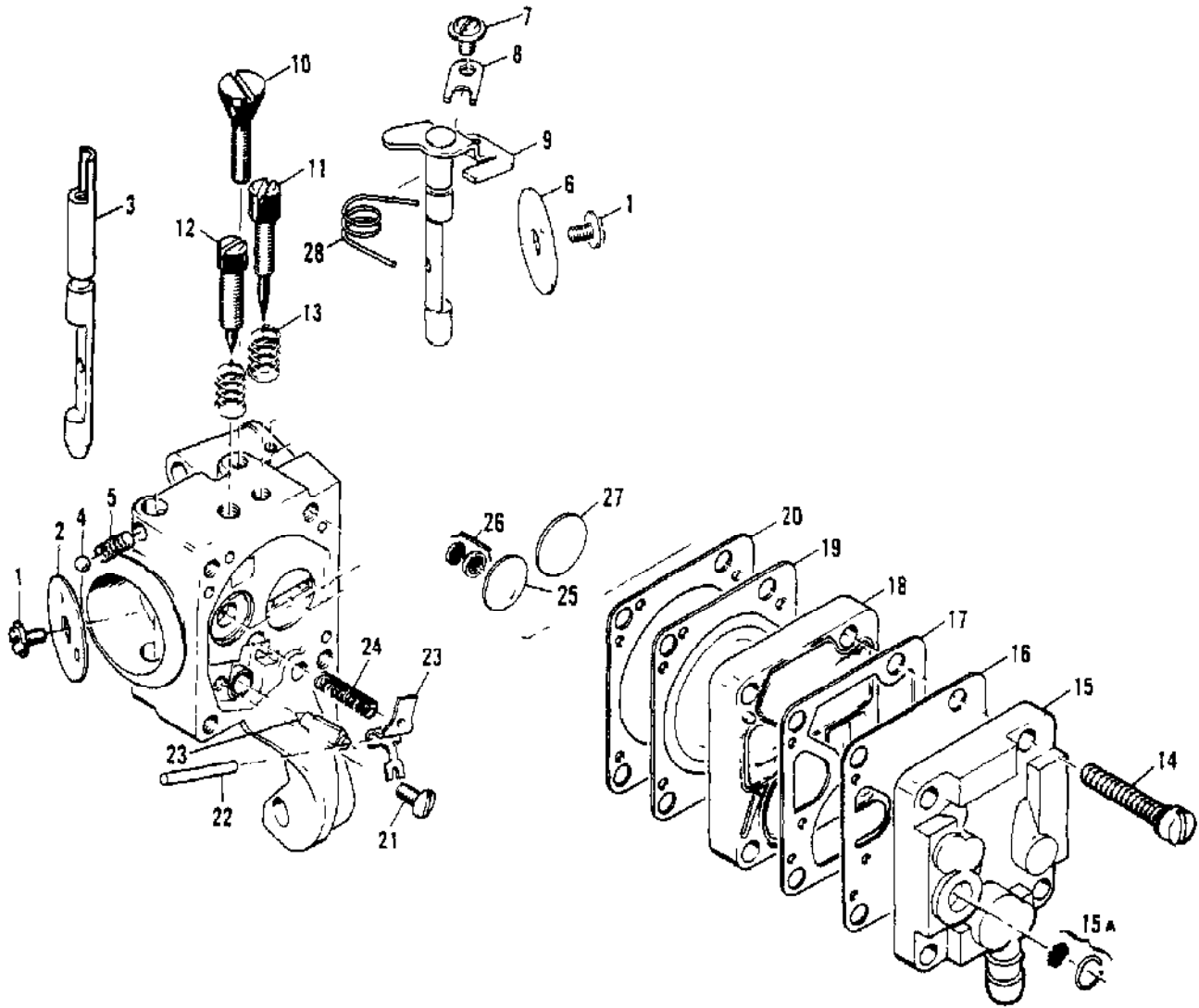


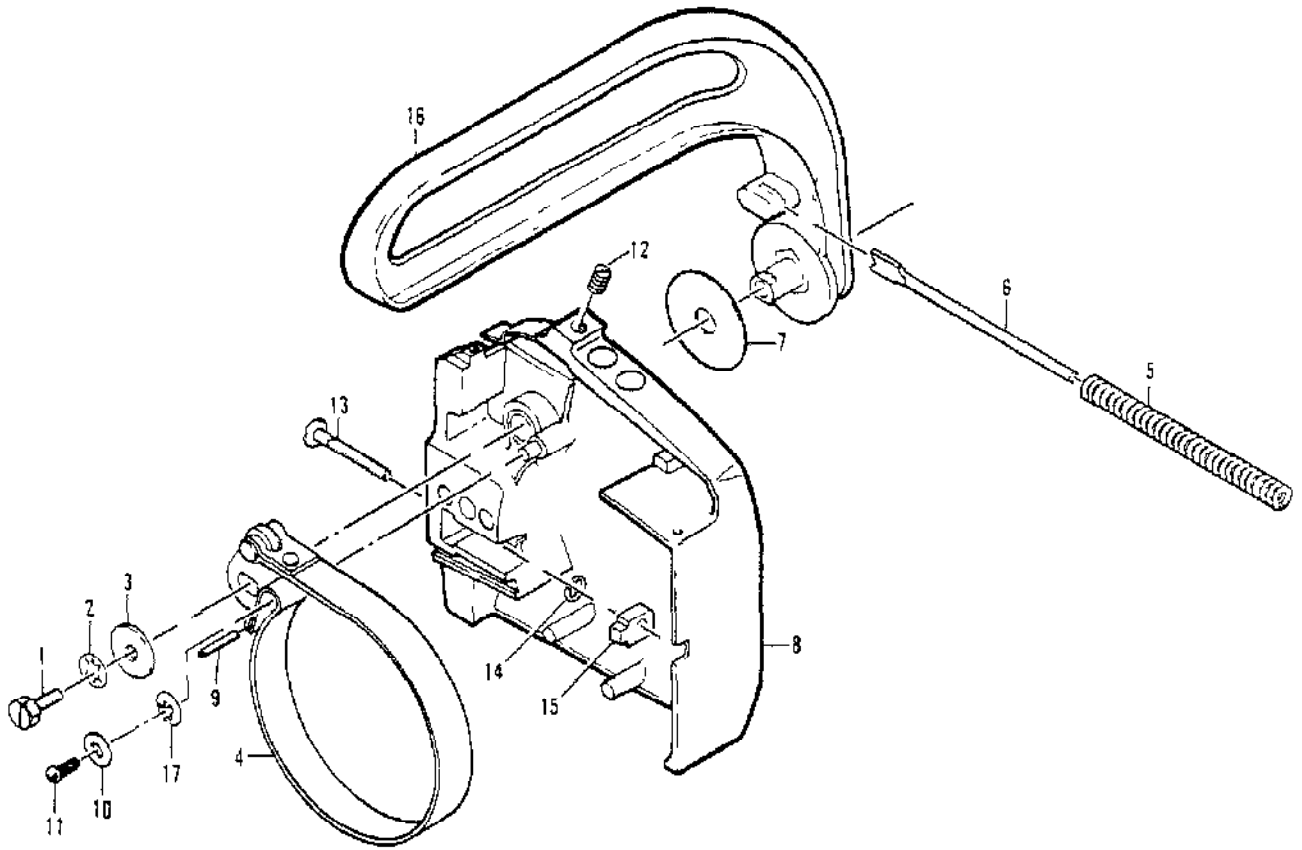
No
Diagram
Available

Parts List
Only

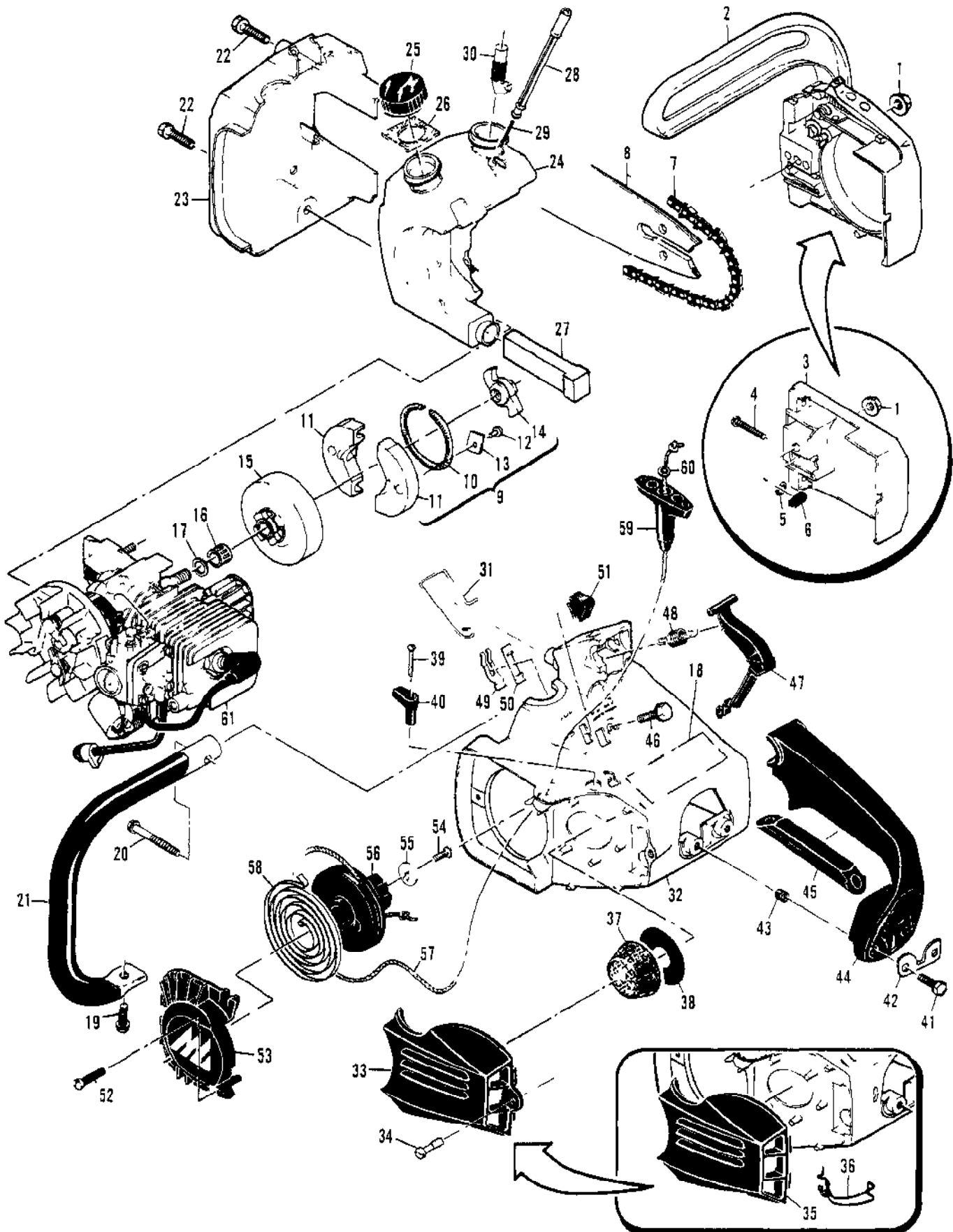
Ref #	Part Number	Qty	Description
	90550		Bar-14" Mini Pro
	90643N		Chain-MP370G
	90771		Bar-14" Mac 6 (B)
	88034N		Chain-SM 250 (B)
	90632		Bar-14" Mini Mac (C,G,U)
	90640N		Chain-MM370G (C,G,U)
	91753		Case-Carrying
	88756		Scrench
	83687		Guide - Timing
	90256		Kit-Tune Up
	68915A		Kit-Piston Tool
	84992		Kit-Reed Muffler
	85933		Kit-Spark Arrester Screen (Reed Muffler)
	85924		Kit-Spark Arrester (PM6 type)
	89685		Screen-Spark arrester



Ref #	Part Number	Qty	Description
	90918	1	Carburetor Asy (MDC 11)
1	83755	2	Screw-Plate
2	68556	1	Plate-Choke
3	85033	1	Shaft-Choke
4	100302	1	Ball-Choke friction
5	67504	1	Spring-Choke friction
6	68553	1	Plate-Throttle
7	70798	1	Screw-Clip
8	68554	1	Clip-Throttle shaft
9	90471	1	Shaft Asy-Throttle
10	68566	1	Screw-Idle speed
11	86446	1	Needle-Idle
12	86447	1	Needle-High speed
13	67502	2	Spring-Needle
14	68564	4	Screw Asy-Body
15	91347	1	Cover Asy-Pump
15A	85629	1	Kit-Vent screen
16	68563	1	Diaphragm-Fuel pump
17	85035	1	Gasket-Pump diaphragm
18	85030	1	Body-Fuel pump
19	85036	1	Diaphragm-Metering
20	85034	1	Gasket-Diaphragm
21	67500	1	Screw-Lever pin
22	67508	1	Pin-Lever
23	85059	1	Kit-Needle & lever
24	68567	1	Spring-Lever
25	68559	1	Plug-Welsh 7/16
26	83758	1	Kit-Check valve
27	68560	1	Plug-Welsh 1/2
28	89785	1	Spring-Throttle return
	86463		Repair Kit

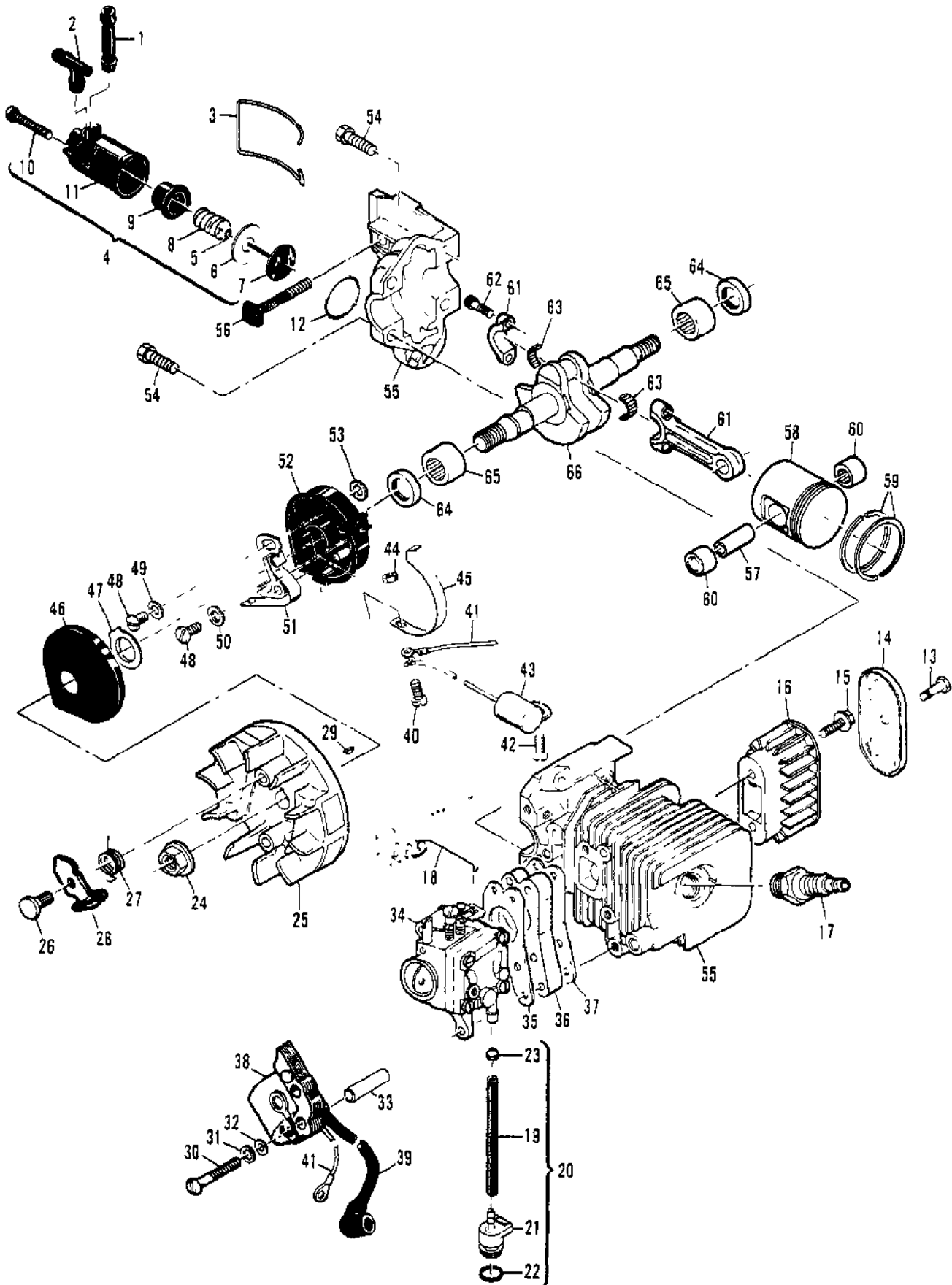


Ref #	Part Number	Qty	Description
	90570B		CHAIN BRAKE Asy
1	102762	1	Screw-Hx hd 10-24 x 1/2
2	101194	1	Washer-Lock #10
3	110712	1	Washer
4	90580	1	Band & Lever
5	90587A	1	Spring-Brake Actuator
6	90588	1	Guide-Spring
7	90967	1	Washer-Actuating Lever
8	90571C	1	Kit-Housing/Spring
9	103047	1	Pin
10	100001	1	Washer
11	110946	1	Screw Drive-6 x 5/16
12	110955	1	Screw-Set 8-32 x 1/2
13	90658	1	Screw-Adjusting
14	110907	1	Ring-Retaining
15	84929	1	Nut-Bar Adjusting
16	90576A	1	Lever-Actuator
17	110913	1	Fastener-Spring tip



Ref #	Part Number	Qty	Description
1	110676	1	Nut-Hx 1/4-28
2			CHAIN BRAKE Asy See "CHAIN BRAKE" Assembly Illustration and parts list
3	90636	1	Guard Asy-Clutch
4	90658	1	Screw-Pan hd 8-32 x 1-1/8
5	110907	1	Ring-Retaining
6	84929	1	Nut-Bar adjusting
7		1	Chain Asy (See Accessories)
8		1	Bar (See Accessories)
9	92727	1	Clutch Asy
10	69358	1	Spring-Clutch
11	85202	2	Kit-Clutch Shoe
12	110957	2	Rivet
13	85064	2	Plate
14	92721	1	Spider
9	85450	1	Clutch Asy
10	69358	1	Spring-Clutch
11	85202	2	Kit-Clutch Shoe
12	110709	2	Rivet
13	85064	2	Plate
14	85449	1	Spider
15	90150	1	Drum/Sprocket/Bearing Asy
16	91222	1	Kit-Needle Bearing
15	85504	1	Drum & Sprocket Asy
16	67650	1	Bearing-Sprocket
17	67303	1	Washer-Sprocket
18	91695	1	Plate-Name
19	110953	1	Screw-Hx hd 12-24 x 5/8
20	110686	1	Screw-Hx hd 13-16 x 2
21	84791	1	Frame & Grip Asy
22	110639	2	Screw-Hx hd 12-24 x 1
23	88591	1	Cover-Fuel & Oil
24	91454A	1	Kit-Fuel & Oil tank
25	91283	2	Cap-Fuel & Oil (Unvented)
25	90922	2	Cap-Fuel & Oil (Vented)
26	91148	1	Seal-Fuel vent
27	84956	1	Pickup-Fuel
28	83900A	1	Piston-Manual Oiler
29	83946	1	Spring-Piston
30	85557	1	Body-Oiler
31	84611	1	Rod-Manual Oiler
32	91859	1	Kit-Shroud Asy
33	91853	1	Cover-Air cleaner
34	91796	1	Screw-Air cleaner
35	90383	1	Cover-Air cleaner
36	83882	1	Retainer-Cover
37	85127	1	Filter-Air
38	84918	1	Washer-Air seal
39	110672	1	Screw-Oval hd 4-40 x 1
40	83870	1	Knob-Choke
41	110953	2	Screw-Hx hd 12-24 x 5/8
42	84520A	1	Plate-Washer
43	84519	2	Sleeve-Handle
44	83852A	1	Handle
45	64872	1	Grip-Handle

Ref #	Part Number	Qty	Description
46	110953	3	Screw-Hx hd 12-24 x 5/8
47	83878	1	Trigger
48	83940	1	Spring-Trigger
49	83935	1	Contact-Switch
50	83936	1	Protector-Switch
51	83934	1	Button-Switch
52	110959	3	Screw-Hx hd 8-32 x 1/2
53	90425	1	Cover-Starter
54	110706	1	Screw-Pan hd 8-18 x 1/2
55	68497	1	Washer-Special
56	83876	1	Drum-Starter
56	92316A	1	Drum/Rope Asy
57	83203	1	Rope-Starter
58	83078	1	Spring-Rewind
59	91255	1	Kit-Starter handle
60	105490	1	Washer
61			Powerhead Asy See "Powerhead Assembly" Illustration and parts list



Ref #	Part Number	Qty	Description
1	83898	1	Connector-Outlet
2	84613	1	Connector-Pump
3	83896	1	Bail-Mounting
4	83886	1	Pump Asy-Pulse
5	105603	1	"O" Ring
6	85769	1	Ring-Pump Piston
7	92204	1	Piston Asy-Pump
8	83891	1	Spring-Pump
9	83890	1	Sleeve-Pump
10	110651	1	Screw-Adjustment
11	83887	1	Body Asy-Pump
12	110653	1	"O" Ring
13	110674	1	Screw-Hx hd 10-24 x 1/2
14	89684	1	Cover-Muffler
15	110928	2	Screw-Hx hd 10-24 x 1/2
16	89682	1	Body-Muffler
17	63097	1	Spark Plug
18	89274	1	Rod-Throttle
19	89059	1	Hose-Fuel
20	90661	1	Kit-Fuel Hose
19	90659	1	Hose-Fuel
21	90660	1	Adaptor-Fuel Hose
22	110908	1	"O" Ring
23	87826	1	Clamp
24	110970	1	Nut-Hx 5/16-24
24	110931	1	Nut-Hx 3/8-24
25	91961A	1	Flywheel & Pawl Asy
26	68796	2	Pin-Pawl
27	67814	2	Spring-Pawl
28	91872A	2	Pawl-Starter
25	69806	1	Flywheel & Pawl Asy
26	68706	2	Pin-Pawl
27	67814	2	Spring-Pawl
28	69103	2	Pawl-Starter
29	102164	1	Key-Woodruff
29	100106	1	Key-Woodruff
30	110586	3	Screw-Pan hd 8-32 x 1-3/4
31	105976	3	Washer-#8
32	67177	3	Washer-Insulator
33	68198	3	Tube-Insulator
34			Carburetor Asy See "Carburetor Assembly" Illustration and parts list
35	68197	1	Gasket-Carburetor
36	90713	1	Insulator-Carburetor
37	90714	1	Gasket-Insulator
38	84957	1	Coil & Lamination Asy
39	50120	1	Wire Asy-Spark Plug
40	110364	1	Screw-Pan hd 6-32 x 5/8
41	69344	1	Wire Asy-Primary
42	110041	1	Screw-Pan hd 8-32 x 1/2 s/t
43	85358	1	Condenser
44	100035	1	Nut-Hx 6-32
45	84502	1	Connector-Stop switch
46	67841	1	Cover-Breaker box
47	69323	1	Seal-Breaker box

Ref #	Part Number	Qty	Description
48	110969	2	Screw-Hx hd 8-32 x 1/2
49	69322	1	Washer-Special
50	105976	1	Washer-#8
51	88811	1	Breaker Asy
52	84505A	1	Kit-Breaker Box
53	92037	1	Washer
54	110639	4	Screw-Hx hd 12-24 x 1
55	90665B	1	Cyl/C'Case Asy
56	83856	1	Bolt-Bar mounting
57	66867	1	Pin-Piston
58	68098	1	Piston Asy
59	87165	1	Ring Set-Piston
60	110538	2	Bearing-Needle
61	68097	1	Connecting Rod Asy
62	66853	2	Screw-Special
63	68095	1	Roller-Needle (Set of 20)
64	83859	2	Seal-Oil
65	66854	2	Bearing-Needle
66	91932	1	Crankshaft
66	86439A	1	Crankshaft