

No
Diagram
Available

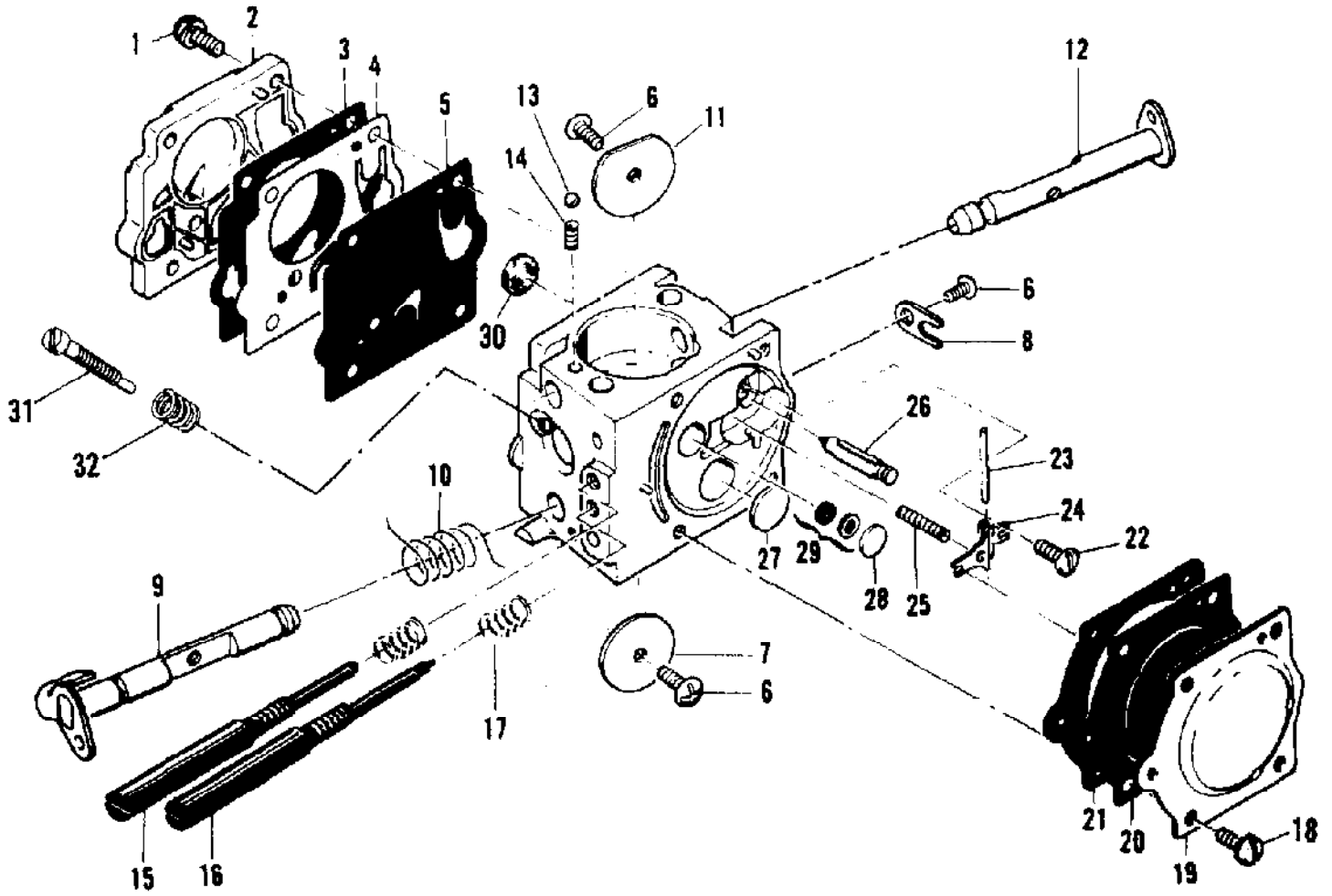
Parts List
Only

| Ref # | Part Number | Qty | Description |
|-------|-------------|-----|---|
| | 86177 | | Adaptor - Exhaust |
| | 91226 | | Tool - Clutch Holding |
| | 69191 | | Kit - Pressure Test |
| | 215033 | | Coupling-Hose |
| | 84223 | | Kit - Piston Tool |
| | 214221 | | Scrench |
| | 216147 | | Key - Socket 1/8" |
| | 216335 | | Key - Socket 3/32" |
| | 216063 | | Key - Socket 5/32" |
| | 214194 | | Metal Lube Gun (reusable) |
| | 214195 | | Plastic Lube Gun (disposable) |
| | 93770 | | McCulloch 2 - Cycle Custom Lubricant (Case of 48 - 6oz. Cans) |
| | 94816 | | McCulloch 2 - Cycle Custom Lubricant (Case of 6 - 1 Gal. Bottles) |
| | 87885 | | Bar and Chain Oil (Case of 12 - 1 Qt. Bottles) |
| | 94818 | | Bar and Chain Oil (Case of 6 - 1 Gal. Bottles) |
| | 214221 | | Scrench - 13mm x 5/8 |

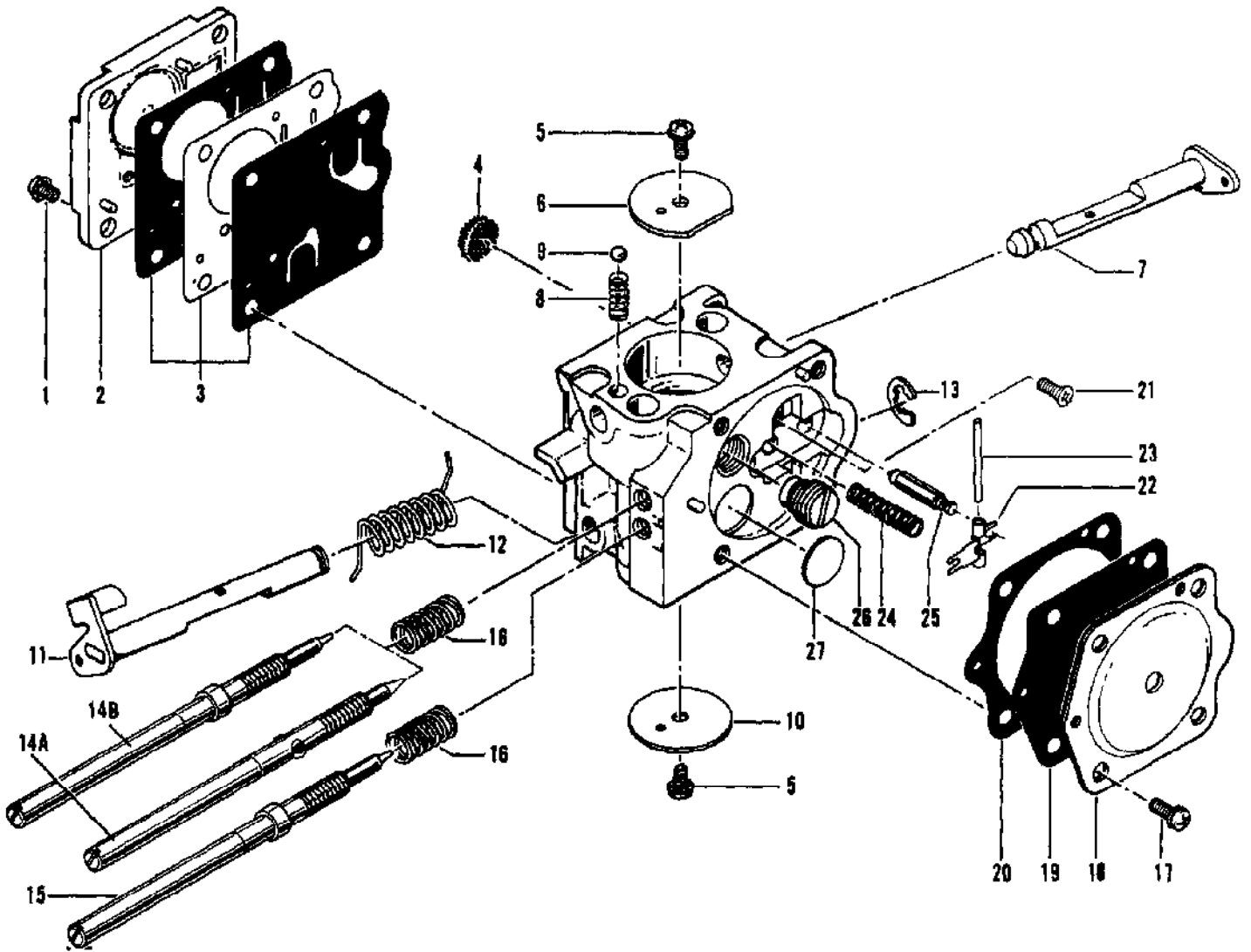
No
Diagram
Available

Parts List
Only

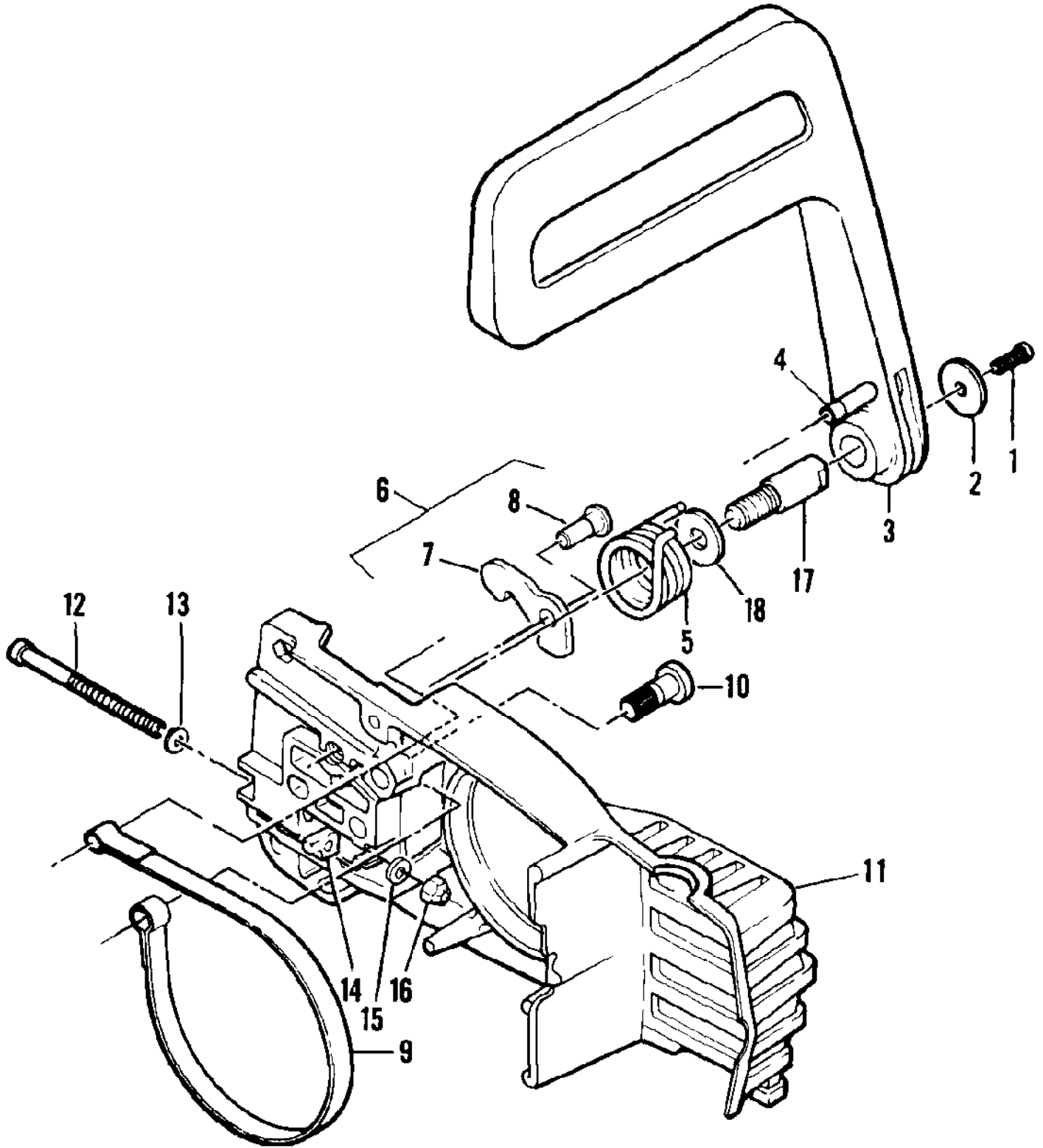
| Ref # | Part Number | Qty | Description |
|-------|-------------|-----|--|
| | 94074-00 | | 16" Speed Mac Bar |
| | 86830 | | Replacement - Sprocket Tip |
| | 89974-12 | | SPR370GX Chain 60 CL |
| | 94074-05 | | 16" Speed Mac Bar |
| | 219975 | | Replacement - Sprocket Tip |
| | 89974-12 | | SPR370GX Chain 60 CL |
| | 93778-00 | | 20" Speed Mac Bar |
| | 86830 | | Replacement - Sprocket Tip |
| | 89979-12 | | SPR370GX Chain 71 CL |
| | 93778-05 | | 20" Speed Mac Bar |
| | 219975 | | Replacement - Sprocket tip |
| | 89979-12 | | SPR370GX Chain 71 CL |
| | 86846-00 | | 24" Speed Mac Bar |
| | 86830 | | Replacement - Sprocket Tip |
| | 89981-12 | | SPR370GX Chain 81 CL |
| | 86846-05 | | 24" Speed Mac Bar |
| | 219975 | | Replacement - Sprocket Tip |
| | 89981-12 | | SPR370GX Chain 81 CL |
| | 86847-00 | | 28" Speed Mac Bar |
| | 86830 | | Replacement - Sprocket Tip |
| | 89984-12 | | SPR370GX Chain 92 CL |
| | 86847-05 | | 28" Speed Mac Bar |
| | 219975 | | Replacement - Sprocket Tip |
| | 89984-12 | | SPR370GX Chain 92 CL |
| | 89505 | | 28" Mac 10 Bar |
| | 89985-12 | | SPR370GX Chain 93 CL |
| | 91284 | | 33" Speed Mac Bar |
| | 86830 | | Replacement - Sprocket Tip |
| | 92101-12 | | SPR370GX Chain 106 CL |
| | 91284-01 | | 33" Speed Mac Bar |
| | 219975 | | Replacement - Sprocket Tip |
| | 92101-12 | | SPR370GX Chain 106 CL |
| | 218738 | | File Plate Sharpening Tools for GX Chain |
| | 219161 | | 7/32" (5.5mm) Round File Sharpening Tools for GX Chain |
| | 56698-23 | | 7/32" (5.5mm) Round File Sharpening Tools for GX Chain |
| | 89503 | | 20" Mac 10 Bar |
| | 88173-14 | | PM370G Chain 71 CL |
| | 86846 | | 24" Speed Mac Bar |
| | 86830 | | Replacement - Sprocket Tip |
| | 88175-14 | | PM370G Chain 81 CL |
| | 89505 | | 28" Mac 10 Bar |
| | 93552-14 | | PM370G Chain 93 CL |
| | 219161 | | 7/32" (5.5mm) Round File Sharpening Tools for G Chain |
| | 56698-23 | | 7/32" (5.5mm) Round File Sharpening Tools for G Chain |



| Ref # | Part Number | Qty | Description |
|-------|-------------|-----|--------------------------|
| | 214763-02 | 1 | Carburetor Asy (SDC 38A) |
| 1 | 67501 | 4 | Screw - Pump Cover |
| 2 | 83760 | 1 | Cover - Pump |
| 3 | | 1 | Gasket - Cover |
| 4 | | 1 | Diaphragm - Check Valve |
| 5 | | 1 | Diaphragm - Fuel Pump |
| 6 | 47690 | 3 | Screw - Plate |
| 7 | 83762 | 1 | Plate - Throttle |
| 8 | 67489 | 1 | Clip - Shaft |
| 9 | | 1 | Shaft Asy - Throttle |
| 10 | 85981 | 1 | Spring - Throttle Return |
| 11 | | 1 | Plate - Choke |
| 12 | | 1 | Shaft Asy - Choke |
| 13 | | 1 | Ball - Choke Friction |
| 14 | 67504 | 1 | Spring - Choke Friction |
| 15 | 85979 | 1 | Needle - High Speed |
| 16 | | 1 | Needle - Idle |
| 17 | | 2 | Spring - Needle |
| 18 | 70798 | 4 | Screw - Diaphragm |
| 19 | | 1 | Cover - Diaphragm |
| 20 | | 1 | Diaphragm - Metering |
| 21 | | 1 | Gasket - Diaphragm |
| 22 | | 1 | Screw - Lever Pin |
| 23 | | 1 | Pin - Lever |
| 24 | | 1 | Lever - Inlet |
| 25 | | 1 | Spring - Lever |
| 26 | | 1 | Valve - Needle |
| 27 | | 1 | Plug - 3/8 |
| 28 | | 1 | Plug - 5/16 |
| 29 | | 1 | Kit - Valve & Seal Asy |
| 30 | | 1 | Screen - Fuel |
| 31 | | 1 | Screw - Idle Adj. |
| 32 | | 1 | Spring - Idle Screw |
| | 217078 | | Minor Repair Kit |
| | 67482 | | Gasket Set |

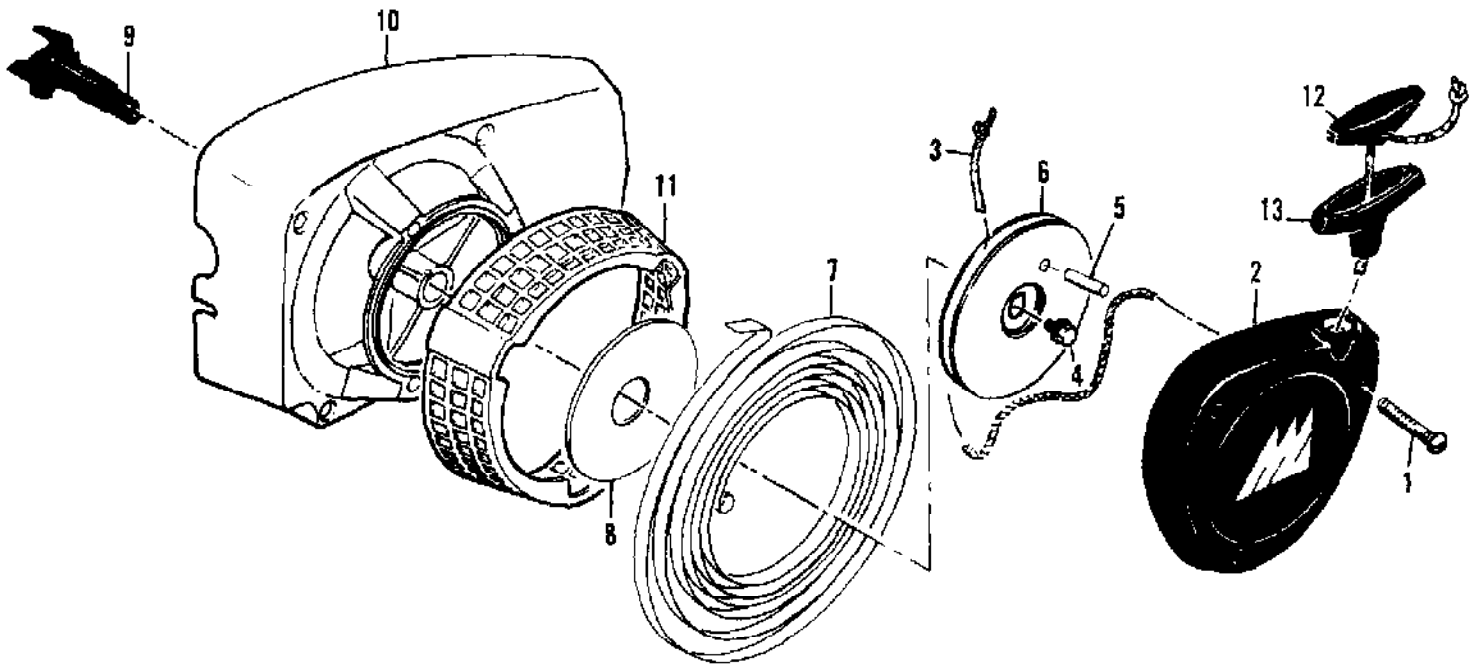


| Ref # | Part Number | Qty | Description |
|-------|-------------|-----|--|
| | 214763 | 1 | Carburetor Asy (Zama C-2) |
| | | 1 | Carburetor Asy (Zama C-3) Not available separately. |
| 1 | | 4 | Screw - Pump Cover Not available separately. |
| 2 | | 1 | Cover - Fuel Pump Not available separately. |
| 3 | | 1 | Diaphragm - Fuel Pump Not available separately. |
| 4 | | 1 | Screen - Filter Not available separately. |
| 5 | | 2 | Screw - Choke Plate Not available separately. |
| 6 | | 1 | Plate - Choke Not available separately. |
| 7 | | 1 | Shaft Asy - Choke Not available separately. |
| 8 | | 1 | Spring - Choke Shaft Not available separately. |
| 9 | | 1 | Ball - Friction Not available separately. |
| 10 | | 1 | Plate - Throttle Not available separately. |
| 11 | | 1 | Shaft Asy - Throttle Not available separately. |
| 12 | | 1 | Spring - Throttle Return Not available separately. |
| 13 | | 1 | Ring - "E" Not available separately. |
| 14A | | 1 | Needle - High Speed (For Zama C-3) Not available separately. |
| 14B | | 1 | Needle - High Speed (For Zama C-2) Not available separately. |
| 15 | | 1 | Needle - Low Speed Not available separately. |
| 16 | | 2 | Spring - Needle Not available separately. |
| 17 | | 4 | Screw - Diaphragm Cover Not available separately. |
| 18 | | 1 | Cover - Diaphragm Not available separately. |
| 19 | | 1 | Diaphragm Asy - Metering Not available separately. |
| 20 | | 1 | Gasket - Main Not available separately. |
| 21 | | 1 | Screw - Lever Not available separately. |
| 22 | | 1 | Lever - Inlet Not available separately. |
| 23 | | 1 | Pin - Lever Not available separately. |
| 24 | | 1 | Spring - Lever Not available separately. |
| 25 | | 1 | Valve - Inlet Not available separately. |
| 26 | | 1 | Jet - Main Not available separately. |
| 27 | | 1 | Plug - Welch Not available separately. |
| | 217082 | | Major Repair Kit |
| | 216724 | | Gasket Kit |
| | 217088 | | Needle Kit |

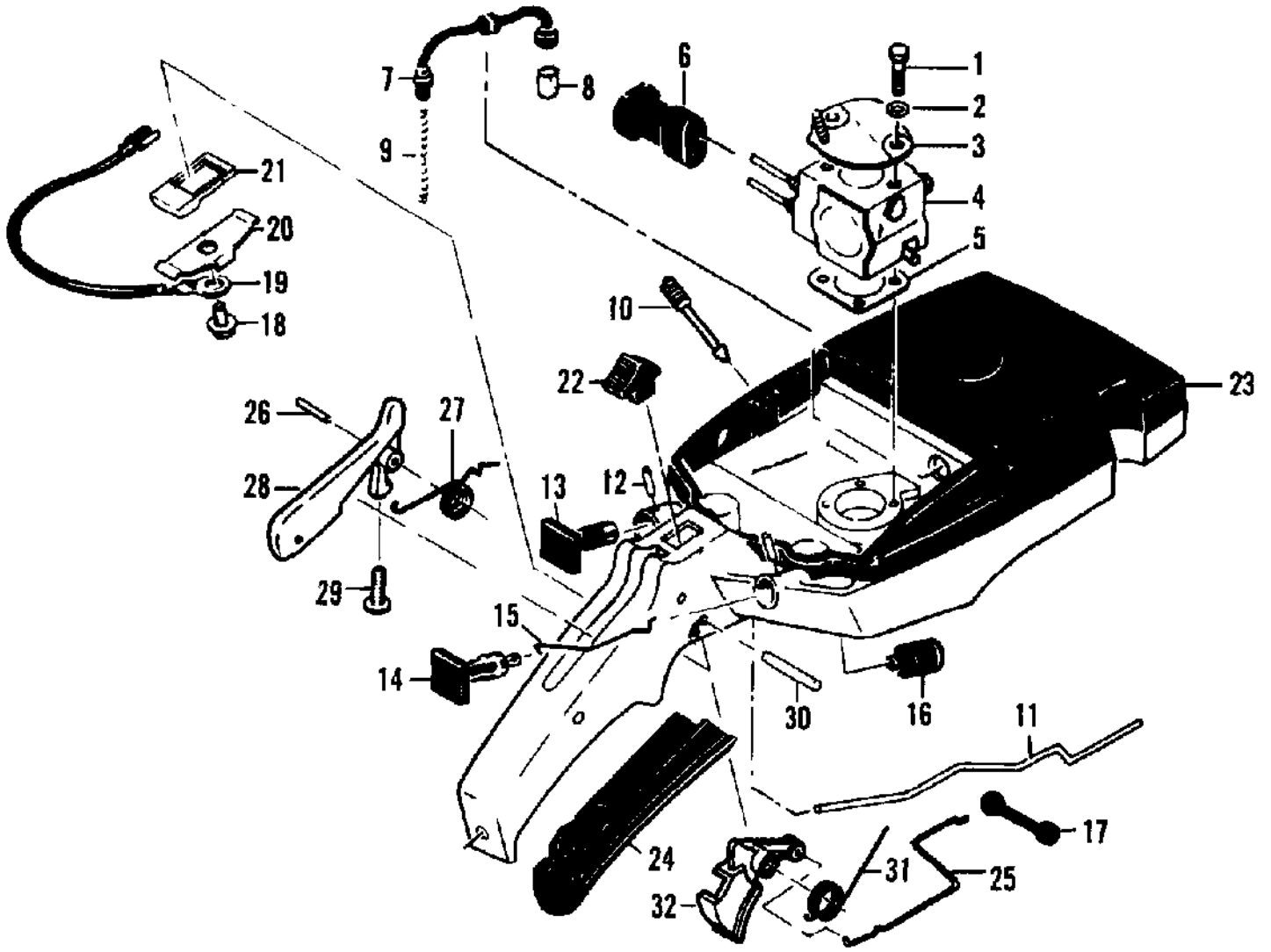


Chain Brake Assembly

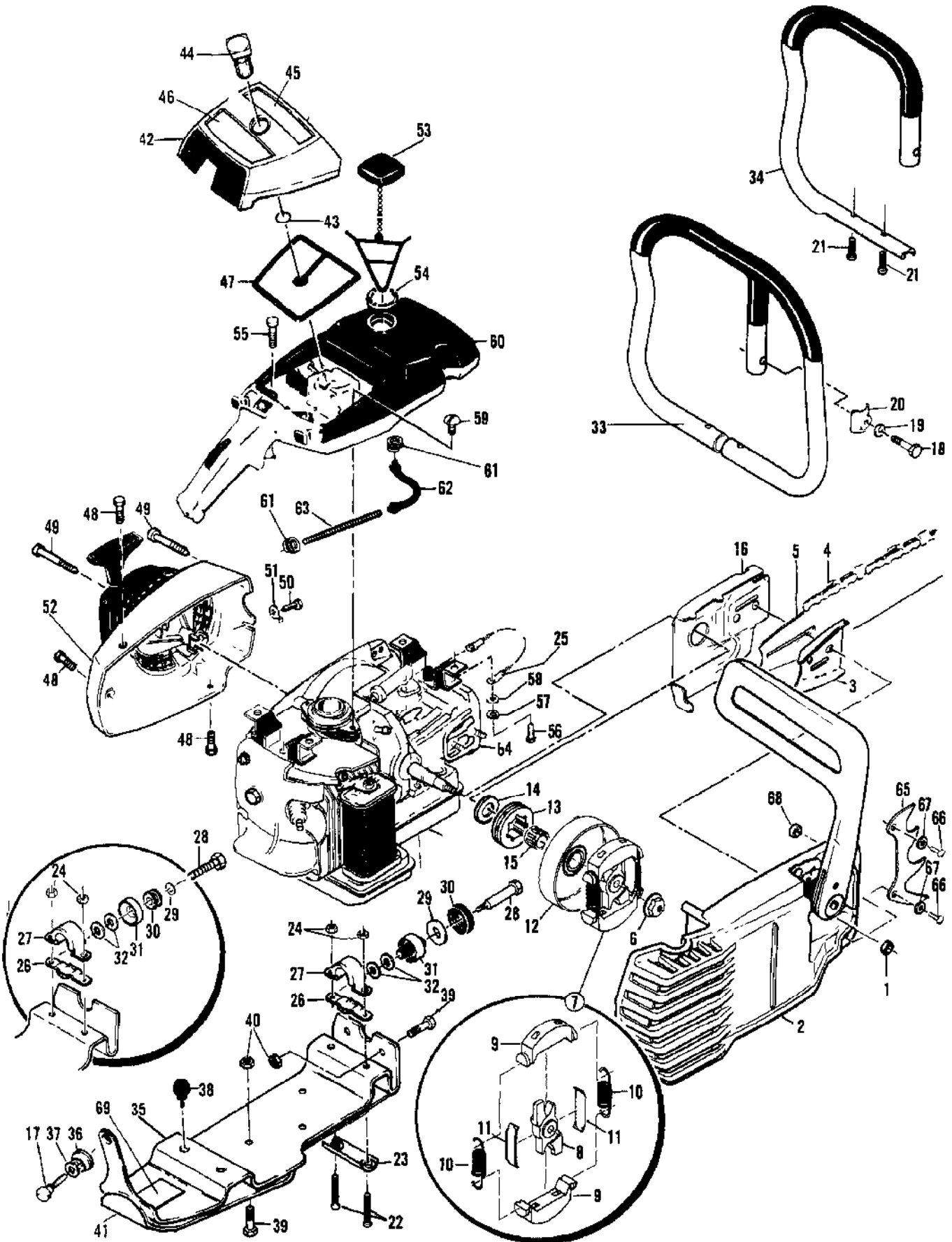
| Ref # | Part Number | Qty | Description |
|-------|-------------|-----|----------------------------|
| | 217695 | 1 | BRAKE ASSEMBLY - CHAIN |
| 1 | 216634 | 1 | Screw - Pan Hd 10-24 x 1/2 |
| 2 | 216633 | 1 | Washer - Special |
| 3 | 215911 | 1 | Lever Assembly |
| 4 | 214366 | 1 | Pin Asy - Roller |
| 5 | 93085 | 1 | Spring - Brake |
| 6 | 222478 | 1 | Kit - Latch/Pivot |
| 7 | 217235 | 1 | Latch |
| 8 | 94144 | 1 | Pivot - Latch |
| 9 | 93081 | 1 | Band - Brake |
| 10 | 93082 | 1 | Pin - Band Anchor |
| 11 | 215699 | 1 | Housing - Brake |
| 12 | 216636 | 1 | Screw - Bar Adjusting |
| 13 | 216635 | 1 | Washer - #10 |
| 14 | 61705 | 1 | Nut - Hx 10-24 |
| 15 | 100002 | 1 | Washer -#10 |
| 16 | 102067 | 1 | Nut - Hx 10-24 |
| 17 | 91246 | 1 | Pin - Lever Pivot |
| 18 | 91245 | 1 | Washer - Thrust |



| Ref # | Part Number | Qty | Description |
|-------|-------------|-----|---|
| | 215706 | 1 | Fan Housing/Starter Assembly |
| 1 | 216625 | 3 | Screw - Oval HD 10-24 x 1.25 (35 - 40 in. lb. torque) |
| 2 | 215707 | 1 | Cover - Starter |
| 3 | 87670 | 1 | Rope - Starter |
| 4 | 110928 | 1 | Screw - Hex HD 10-24 x .50 (55 - 60 in. lb. torque) |
| 5 | 105841 | 1 | Pin - Roll |
| 6 | 87689 | 1 | Drum - Starter |
| 7 | 87680 | 1 | Spring - Rewind |
| 8 | 86053 | 1 | Shield - Spring |
| 9 | 95412 | 1 | Shaft - Starter |
| 10 | 215777 | 1 | Kit - Fan Housing/Guard |
| 11 | 214192 | 1 | Guard - Sawdust |
| 12 | 214699 | 1 | Insert - Starter |
| 13 | 93137 | 1 | Handle - Starter |



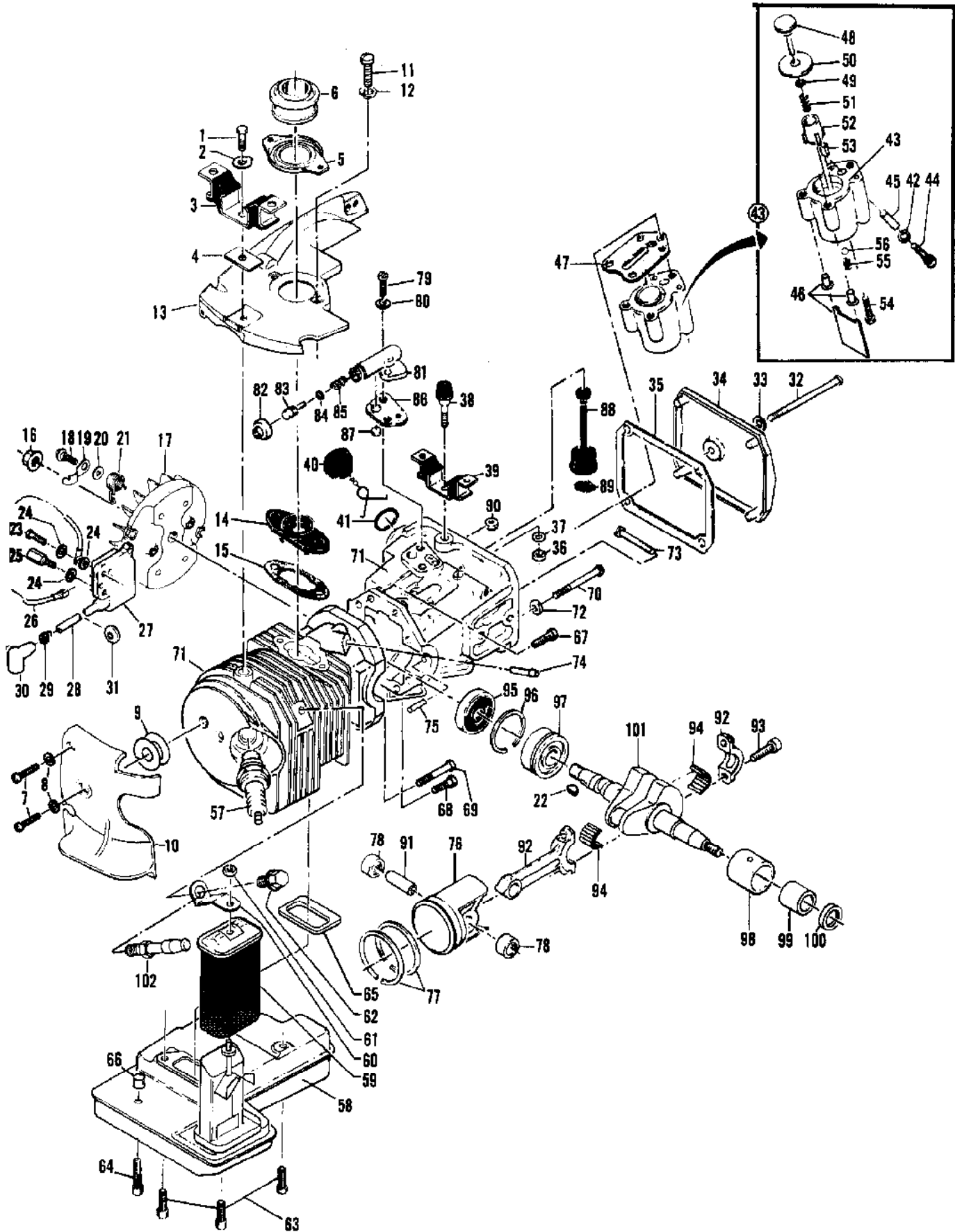
| Ref # | Part Number | Qty | Description |
|-------|-------------|-----|--|
| 1 | 103357 | 2 | Screw - Hx Hd 10-24 x 2-2.25 (55 - 60 in. lb. torque) |
| 2 | 110964 | 2 | Washer |
| 3 | 95414 | 1 | Bracket - Air Cleaner |
| 4 | | 1 | Carburetor Asy See "Carburetor Assembly (SDC 38A)" illustration and parts list; See "Carburetor Assembly (Zama C-2 & Zama C-3)" illustration and parts list. |
| 5 | 86189 | 1 | Gasket - Carburetor |
| 6 | 214762 | 1 | Boot - Carburetor Needles |
| | 214762-01 | 1 | Boot - Carburetor Needles |
| 7 | 215708 | 1 | Hose Assembly - Fuel |
| 8 | 215714 | 1 | Pickup Asy - Fuel |
| 9 | 67944 | 1 | Spring - Fuel Hose |
| 10 | 86273 | 1 | Screw - Idle Adjustment |
| 11 | 92903 | 1 | Rod - Oiler |
| 12 | 105673 | 2 | Pin - Roll 3/32 x 9/16 |
| 13 | 95480 | 1 | Button - Oiler |
| 14 | 95614 | 1 | Button - Choke |
| 15 | 69631 | 1 | Rod - Choke |
| 16 | 69597 | 2 | Boot - Control Rod |
| 17 | 69043 | 1 | Snubber - Rod |
| 18 | 110706 | 1 | Screw - Fil Hd 8-18 x .50 |
| 19 | 83661 | 1 | Wire Asy - Stop Switch |
| 20 | 62451 | 1 | Contact - Switch |
| 21 | 214691 | 1 | Base - Switch |
| 22 | 68846 | 1 | Button - Switch |
| 23 | 215612 | 1 | Tank Asy - Fuel |
| 24 | 89320 | 1 | Insert - Handle Grip |
| 25 | 92155 | 1 | Rod - Throttle |
| 26 | 105654 | 1 | Pin - Roll 1/8 x 7/8 |
| 27 | 92154 | 1 | Spring - Trigger Release |
| 28 | 94275 | 1 | Release Asy - Trigger |
| 29 | 111012 | 1 | Screw - Pan Hd 4-40 x .313 |
| 30 | 110378 | 1 | Pin - Roll 3/16 x 15/16 |
| 31 | 92152 | 1 | Spring - Trigger |
| 32 | 214679 | 1 | Trigger - Throttle |



General Assembly

| Ref # | Part Number | Qty | Description |
|-------|-------------|-----|---|
| 1 | 216645 | 2 | Nut - M8 Hx Flange |
| 2 | | 1 | CHAIN BRAKE Asy See "Chain Brake Assembly" illustration and parts list. |
| 3 | 64325 | 1 | Plate - Bar Protector |
| 4 | | 1 | Chain Assembly See "Bar/Chain/Chain Sharpening Tools" parts list. |
| 5 | | 1 | Bar Assembly See "Bar/Chain/Chain Sharpening Tools" parts list. |
| 6 | 86113 | 1 | Nut - Hx 3/8-24 (L.H.) (200 - 210 in. lb. torque) |
| 7 | 214301 | 1 | Clutch Assembly |
| 8 | 214300 | 1 | Rotor Clutch |
| 9 | 67233 | 1 | Kit - Clutch Shoe |
| 10 | 83223 | 2 | Spring - Clutch |
| 11 | 64583 | 2 | Retainer - Clutch Spring |
| 12 | 95166 | 1 | Kit - Drum & Sprocket (7 T .375P) |
| 13 | 86344 | 1 | Sprocket - 7T .375 Pitch |
| 14 | 86958 | 1 | Washer - Sprocket |
| 15 | 110971 | 1 | Bearing - Needle |
| 16 | 84978-01 | 1 | Shield - Sawdust |
| 17 | 93037 | 1 | Screw - Frame Brace (55 - 60 in.lb.torque) |
| 18 | 103353 | 1 | Screw - Hx Hd 1/4-20 x 1.50 (90 - 100 in. lb. torque) |
| 19 | 100153 | 1 | Lockwasher - 1/4 |
| 20 | 216639 | 1 | Clamp - Frame |
| 21 | 104396 | 2 | Screw - Pn Hd 10-24 x 3/4 (55 - 60 in. lb. torque) |
| 22 | 103353 | 2 | Screw - Hx Hd 10-24 x 1.50 (55 - 60 in. lb. torque) |
| 23 | 95679 | 1 | Clamp - Frame |
| 24 | 216682 | 2 | Nut - Hx Lock 10-24 (55 - 60 in. lb. torque) |
| 25 | 83828-01 | 1 | Wire Asy - Ground |
| 26 | 92701 | 1 | Clamp - Bottom |
| 27 | 92700 | 1 | Clamp - Top |
| | 93932 | 1 | Clamp - Top |
| 28 | 93096 | 1 | Screw - Shoulder (90 - 100 in. lb. torque) |
| | 216648 | 1 | Screw - Hx Hd 1/4-20 x 2 (90 - 100 in. lb. torque) |
| 29 | 216647 | 2 | Washer - Plain |
| 30 | 92703 | 1 | Hub - Mount |
| | 84661 | 1 | Grommet |
| 31 | 92704 | 1 | Mount |
| | 85898 | 1 | Mount |
| 32 | 95636 | 2 | Washer - 1/4 |
| 33 | 95514 | 1 | Frame & Grip Asy |
| 34 | 214103 | 1 | Frame & Grip Asy |
| 35 | 216090 | 1 | Brace - Frame |
| 36 | 93032 | 1 | Grommet - Frame Brace |
| 37 | 214164 | 1 | Washer |
| 38 | 89403 | 2 | Bumper - Lower |
| 39 | 216634 | 5 | Screw - Pn Hd 10-24 x .50 (55 - 60 in.lb. torque) |
| 40 | 216682 | 5 | Nut - Hx Lock 10-24 (55 - 60 in.lb. torque) |
| 41 | 216103 | 1 | Shield - Frame Brace |
| 42 | 95418 | 1 | Cover Asy - Air Cleaner |
| 43 | 110565 | 1 | Ring - Retaining |
| 44 | 95420 | 1 | Knob - Cover |
| 45 | | 1 | Plate - Name Not available separately. |
| 46 | 95486 | 1 | Instruction Plate |
| 47 | 215681 | 1 | Filter - Air |

| Ref # | Part Number | Qty | Description |
|-------|-------------|-----|--|
| 48 | 110741 | 3 | Screw - Pan Hd 10-24 x .50 (40 - 45 in. lb. torque) |
| 49 | 87871 | 3 | Screw - Special (35 - 40 in. lb. torque) |
| 50 | 102762 | 1 | Screw - Hx Hd 10-24 x .50 (40 - 45 in. lb. torque) |
| 51 | 69890 | 1 | Lockplate Hsg |
| 52 | | 1 | Fan Hsg/Starter Assemblies See "Fan Housing & Starter Assembly" illustration and parts list. |
| 53 | 216053 | 1 | Cap Asy - Fuel W/Retainer |
| 54 | 69767 | 1 | Gasket |
| 55 | 110746 | 2 | Screw - Hx Hd 10-24 x .50 (55 - 60 in. lb. torque) |
| 56 | 216644 | 2 | Screw - Hx Hd 1/4-20 x 5/8 (110 - 120 in. lb. torque) |
| 57 | 100153 | 2 | Lockwasher - 1/4 |
| 58 | 216646 | 2 | Washer - 1/4 |
| 59 | 110807 | 2 | Screw - Pn Hd 8-32 x .312 (15 - 20 in. lb. torque) |
| 60 | | 1 | Fuel Tank Asy See "Fuel Tank Assembly" illustration and parts list. |
| 61 | 87826 | 2 | Clamp - Hose |
| 62 | 69598 | 1 | Line - Pulse |
| 63 | 67944 | 1 | Spring - Hose |
| 64 | | 1 | Powerhead See "Powerhead Assembly" illustration and parts list. |
| 65 | 93668 | 1 | Spike |
| 66 | 102388 | 2 | Screw - Hx Hd 10-24 x .625 (55 - 60 in. lb. torque) |
| 67 | 216683 | 2 | Washer - Special 10 |
| 68 | 216682 | 2 | Nut - Hx Lock 10-24 (55 - 60 in. lb. torque) |
| 69 | 219058 | 1 | Label - Safety Part numbers listed in this I.P.L. which were not in the previous I.P.L. covering these saws. |



| Ref # | Part Number | Qty | Description |
|-------|-------------|-----|--|
| 1 | 83811 | 1 | Screw - Special (90 - 100 in. lb. torque) |
| 2 | 69924 | 1 | Plate - Lock |
| 3 | 216877 | 1 | Mount - Rear |
| 3 | 93925 | 1 | Mount - Rear |
| 4 | 84619 | 1 | Insulator - Rear Mount |
| 5 | 213381 | 1 | Clamp Assembly - Boot |
| 6 | 215247 | 1 | Boot - Port |
| 7 | 216634 | 2 | Screw - Pn Hd 10-24 x .50 (55 - 60 in. lb. torque) |
| 8 | 100002 | 2 | Washer - #10 |
| 9 | 93460 | 1 | Washer - Insulator |
| 10 | 216136 | 1 | Shroud - Rear |
| 11 | 104396 | 2 | Screw - Pn Hd 10-24 x .75 (55 - 60 in. lb. torque) |
| 12 | 101194 | 2 | Washer - Lock #10 |
| 13 | 95477 | 1 | Shroud - Upper |
| 14 | 87844 | 1 | Insulator - Inlet |
| 15 | 88740 | 1 | Gasket - Insulator |
| 16 | 110703 | 1 | Nut - Hx 3/8-24 (265 - 325 in. lb. torque) |
| 17 | 95481 | 1 | Flywheel Assembly |
| 18 | 93464 | 2 | Screw - Pawl |
| 19 | 93198 | 2 | Pawl - Starter |
| 20 | 93469 | 2 | Washer - Pawl |
| 21 | 214102 | 2 | Spring - Pawl |
| 22 | 100106 | 1 | Key - Woodruff |
| 23 | 110127 | 1 | Screw - Hx Hd 10-24 x .88 (55 - 60 in. lb. torque) |
| 24 | 100002 | 3 | Washer - #10 |
| 25 | 95603 | 1 | Stud - Special (55 - 60 in. lb. torque) |
| 26 | 85798 | 1 | Wire Asy - Ground |
| 27 | 95553 | 1 | Ignition Asy - Electronic (.011-.015 Lamination Air Gap) |
| 28 | 95269 | 1 | Wire Asy - Spark Plug |
| 29 | 102556 | 1 | Connector |
| 30 | 95266 | 1 | Boot |
| 31 | 110995 | 1 | Grommet |
| 32 | 110291 | 1 | Screw - Pn Hd 10-24 x 2.62 (35 - 40 in. lb. torque) |
| 33 | 110921 | 1 | Washer - Sealing |
| 34 | 218707 | 1 | Cover - Oil Tank |
| 35 | 86306 | 1 | Gasket - Cover |
| 36 | 101143 | 1 | Nut - Hx 1/4-20 (90 - 100 in. lb. torque) |
| 37 | 102523 | 1 | Washer - 1/4 |
| 38 | 69832 | 1 | Bumper - Front |
| 39 | 216878 | 1 | Mount - Front |
| 39 | 93926 | 1 | Mount - Front |
| 40 | 216052 | 1 | Cap - Oil Tank |
| 41 | 101148 | 1 | Ring - "O" |
| 42 | 100003 | 1 | Washer - #10 |
| 43 | 215339 | 1 | Pump Assembly - Oiler |
| 44 | 110890 | 1 | Screw - Fil 10-24 x .88 (25 - 30 in. lb. torque) |
| 45 | 91774 | 1 | Sleeve |
| 46 | 215246 | 1 | Kit - Oil Pump Clip |
| 47 | 92818 | 1 | Seal - Pulse Pump |
| 48 | 214278 | 1 | Piston Assembly - Oiler |
| 49 | 105603 | 1 | Ring - "O" |
| 50 | 86182 | 1 | Ring - Piston |
| 51 | 60259 | 1 | Spring - Piston |
| 52 | 62227 | 1 | Sleeve - Adjustment |

Powerhead Assembly

| Ref # | Part Number | Qty | Description |
|-------|-------------|-----|---|
| 53 | 91259 | 1 | Pad - Oil Pump |
| 54 | 110386 | 1 | Screw - Hx Hd 8-32 x 1 |
| 55 | | 1 | Spring - Outlet Valve |
| 56 | | 1 | Ball - Outlet Valve |
| 57 | 63432 | 1 | Plug - Spark CS42T AC (120 in. lb. torque/.025 Gap) |
| | 93017 | 1 | Plug - Spark RDJ6 (120 in. lb. torque/.025 Gap) |
| 58 | 216160 | 1 | Muffler Asy |
| 59 | 214283 | 1 | Screen/Cap Asy - S/Arrestor |
| 60 | 216087 | 1 | Strap - Muffler |
| 61 | 216682 | 1 | Nut - Hex Lock 10-24 (40 - 45 in. lb. torque) |
| 62 | 214100 | 1 | Screw - Muffler Strap (110 - 120 in. lb. torque) |
| 63 | 104895 | 3 | Screw - Skt Hd 10-24 x .62 (65 - 75 in. lb. torque) |
| 64 | 110713 | 1 | Screw - Skt Hd 10-24 x .88 (65 - 75 in. lb. torque) |
| 65 | 95387 | 1 | Gasket - Muffler |
| 66 | 216047 | 1 | Spacer |
| 67 | 110288 | 2 | Screw - Hx Hd 8-32 x 3/4 (35 - 40 in. lb. torque) |
| 68 | 110963 | 1 | Screw - Hx Hd 8-32 x 1 (35 - 40 in. lb. torque) |
| 69 | 110644 | 1 | Screw - Hx Hd 8-32 x 1.5 (35-40 in. lb. torque) |
| 70 | 62106 | 4 | Screw - 12-24 x 1.75 (70 - 75 in. lb. torque) |
| 71 | 215713 | 1 | Cylinder/C'Case/Piston Asy "B" |
| 72 | 111025 | 4 | Washer - Sealing |
| 73 | 92459 | 2 | Bolt - Bar |
| 74 | 69600 | 1 | Nipple - Pulse Line |
| 75 | 110851 | 1 | Pin - Dowel |
| 76 | 92518 | 1 | Piston Assembly "A" |
| | 92519 | 1 | Piston Assembly "B" |
| | 92520 | 1 | Piston Assembly "C" |
| 77 | 87854 | 1 | Ring Set - Piston |
| 78 | 111021 | 2 | Bearing - Needle |
| 79 | 110338 | 2 | Screw - Pn Hd 8-32 x .532 (15 - 20 in. lb. torque) |
| 80 | 110613 | 2 | Washer - #8 |
| 81 | 84156 | 1 | Housing - Pump |
| 82 | 215151 | 1 | Cap - Housing |
| 83 | 92902 | 1 | Plunger - Pump |
| 84 | 105614 | 1 | Ring - "O" |
| 85 | 66687 | 1 | Spring - Pump |
| 86 | 91669 | 1 | Gasket - Pump |
| 87 | 91668 | 1 | Valve - Pump |
| 88 | 91672 | 1 | Hose - Oil |
| 89 | 51506 | 1 | Screen - Hose |
| 90 | 100955 | 1 | Nut - Hex 8-32 (15-20 in. lb. torque) |
| 91 | 69020 | 1 | Pin - Piston |
| 92 | 215245 | 1 | Rod Asy - Connecting |
| 93 | 61627-01 | 2 | Screw - Special (65 - 70 in. lb. torque) |
| 94 | 215150 | 1 | Roller (set of 22) |
| 95 | 61618 | 1 | Seal - Oil |
| 96 | 63464 | 1 | Ring - Snap |
| 97 | 63429-02 | 1 | Bearing - Ball |
| 98 | 87151 | 1 | Insert/Bearing Assy |
| 99 | 104357 | 1 | Bearing - Needle |
| 100 | 110260 | 1 | Seal - Oil |
| 101 | 95386 | 1 | Crankshaft |
| 102 | 215673 | 1 | Valve - Compression Release (110 - 120 in. lbs. torque) |