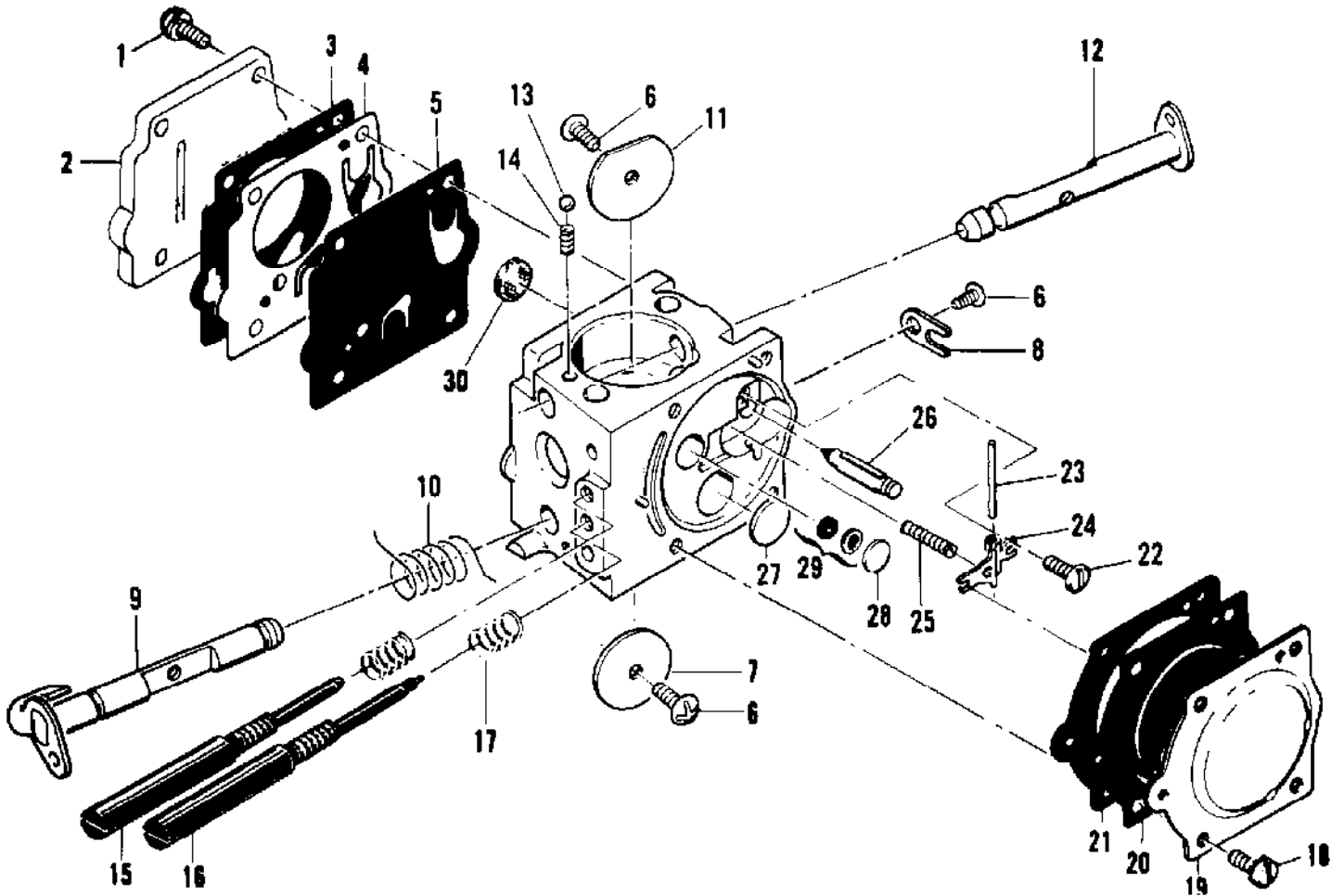


No  
Diagram  
Available  
  
Parts List  
Only

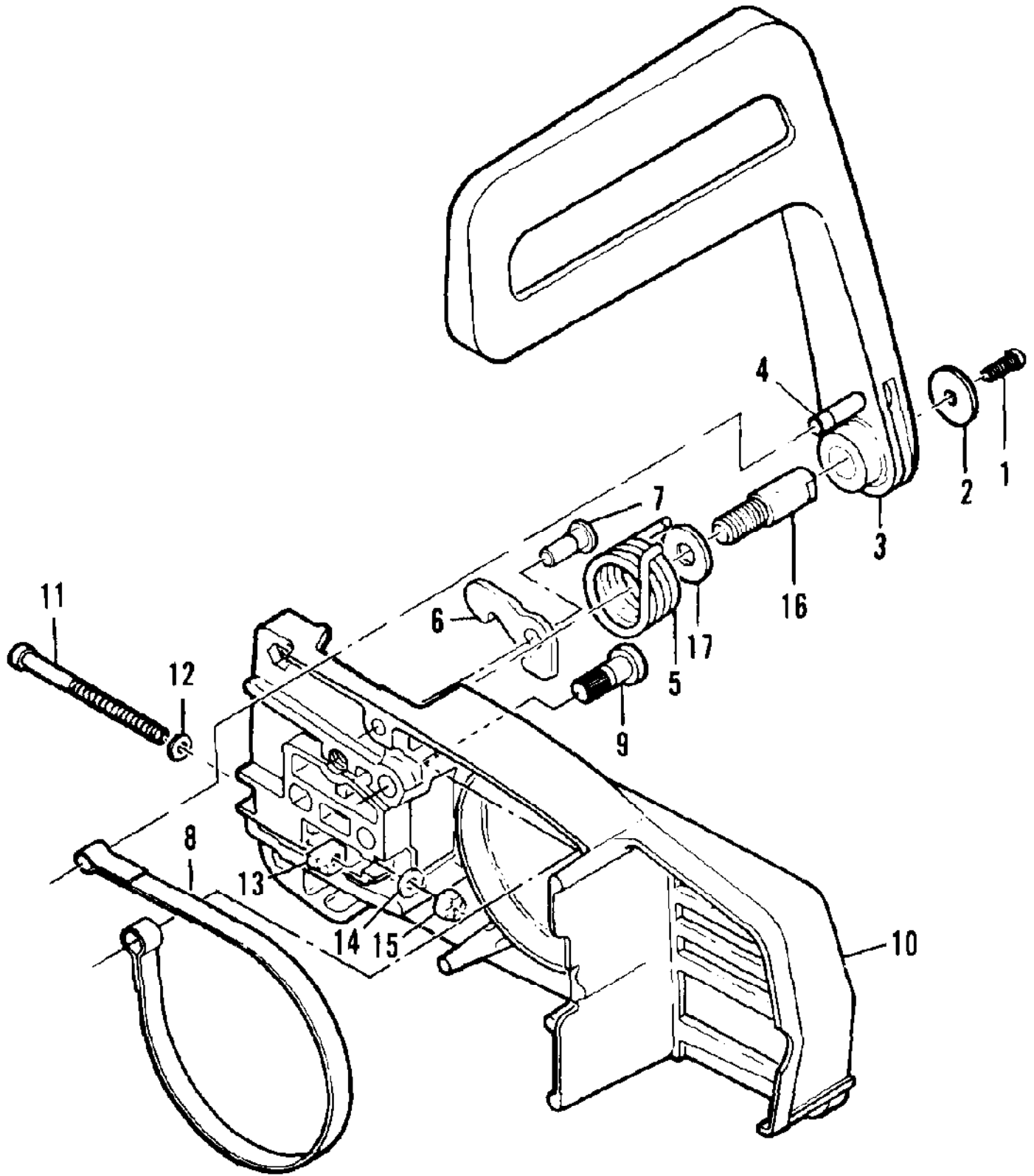
| Ref # | Part Number | Qty | Description               |
|-------|-------------|-----|---------------------------|
|       | 84453       |     | Kit-Piston tool           |
|       | 69191       |     | Kit-Pressure test adaptor |
|       | 63097       |     | Spark Plug (standard)     |
|       | 63432       |     | Spark Plug (cooler)       |
|       | 62827       |     | Wrench/Screwdriver        |
|       | 63746       |     | Scrench                   |
|       | 86419       |     | Guide - Timing            |
|       | 91967       |     | Kit-Spike                 |
|       | 102388      |     | Screw-Hx hd 10-24 x 5/8   |
|       | 24236       |     | Washer-Special            |
|       | 101191      |     | Nut-Hx 10-24              |



| Ref # | Part Number | Qty | Description                |
|-------|-------------|-----|----------------------------|
|       | 85916       | 1   | Carburetor Asy - HS 111A   |
| 1     | 52933       | 4   | Screw - Pump cover         |
| 2     | 66628       | 1   | Cover - Pump               |
| 3     | 66629       | 1   | Gasket - Cover             |
| 4     | 66630       | 1   | Diaphragm - Fuel pump      |
| 5     | 48780       | 1   | Screw - Clip retainer      |
| 6     | 66646       | 1   | Clip - Throttle shaft      |
| 7     | 48780       | 1   | Screw - Plate              |
| 8     | 51720       | 1   | Plate - Throttle           |
| 9     | 83546       | 1   | Shaft Asy - Throttle       |
| 10    | 67136       | 1   | Spring - Throttle return   |
| 11    | 65856       | 1   | Plate - Choke              |
| 12    | 83725       | 1   | Shaft Asy - Choke          |
| 13    | 100071      | 1   | Ball - Choke friction      |
| 14    | 52930       | 1   | Spring - Choke friction    |
| 15    | 86169       | 1   | Needle - High speed        |
| 16    | 52936       | 1   | Spring - High Speed needle |
| 17    | 86170       | 1   | Needle - Idle              |
| 18    | 67133       | 1   | Spring - Idle needle       |
| 19    | 51721       | 4   | Screw - Diaphragm cover    |
| 20    | 83724       | 1   | Cover - Diaphragm          |
| 21    | 66632       | 1   | Diaphragm - Metering       |
| 22    | 66633       | 1   | Gasket - Diaphragm         |
| 23    | 83479       | 1   | Screw - Lever pin          |
| 24    | 66636       | 1   | Pin - Lever                |
| 25    | 66638       | 1   | Lever - Metering           |
| 26    | 66404       | 1   | Spring - Lever             |
| 27    | 66637       | 1   | Valve - Needle             |
| 28    | 66623       | 1   | Screen - Fuel inlet        |
| 29    | 83729       | 1   | Check Valve - Nozzle       |
| 30    | 66622       | 1   | Plug - Welch               |

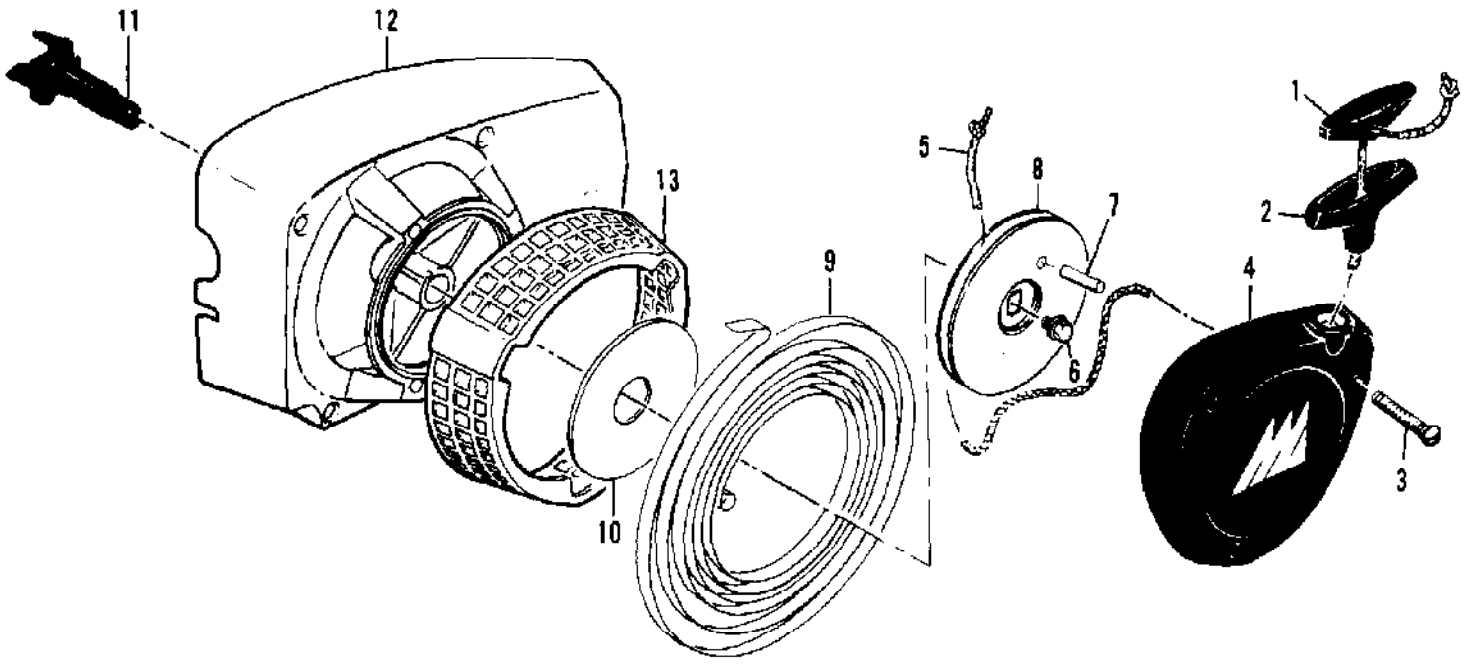


| Ref # | Part Number | Qty | Description              |
|-------|-------------|-----|--------------------------|
|       | 87821       | 1   | Carburetor Asy - SDC 38A |
| 1     | 67501       | 4   | Screw - Pump cover       |
| 2     | 88731       | 1   | Kit - Pump cover         |
| 3     | 88617       | 1   | Gasket - Cover           |
| 4     | 67498       | 1   | Diaphragm - Check valve  |
| 5     | 83114       | 1   | Diaphragm - Fuel pump    |
| 6     | 47690       | 3   | Screw - Plate            |
| 7     | 83762       | 1   | Plate - Throttle         |
| 8     | 67489       | 1   | Clip - Shaft             |
| 9     | 85980       | 1   | Shaft Asy - Throttle     |
| 10    | 85981       | 1   | Spring - Throttle return |
| 11    | 67490       | 1   | Plate - Choke            |
| 12    | 67488       | 1   | Shaft Asy - Choke        |
| 13    | 100302      | 1   | Ball - Choke friction    |
| 14    | 67504       | 1   | Spring - Choke friction  |
| 15    | 85979       | 1   | Needle - High Speed      |
| 16    | 85982       | 1   | Needle - Idle            |
| 17    | 67502       | 2   | Spring - Needle          |
| 18    | 70798       | 4   | Screw - Diaphragm        |
| 19    | 83761       | 1   | Cover - Diaphragm        |
| 20    | 67499       | 1   | Diaphragm - Metering     |
| 21    | 67496       | 1   | Gasket - Diaphragm       |
| 22    | 67500       | 1   | Screw - Lever pin        |
| 23    | 67508       | 1   | Pin - Lever              |
| 24    | 67509       | 1   | Lever - Inlet            |
| 25    | 67503       | 1   | Spring - Lever           |
| 26    | 67491       | 1   | Valve - Needle           |
| 27    | 71690       | 1   | Plug - 3/8               |
| 28    | 69506       | 1   | Plug - 5/16              |
| 29    | 83758       | 1   | Kit - Valve & Seat Asy   |
| 30    | 67507       | 1   | Screen - Fuel            |
|       | 67482       |     | Gasket Kit               |
|       | 85987       |     | Repair Kit               |

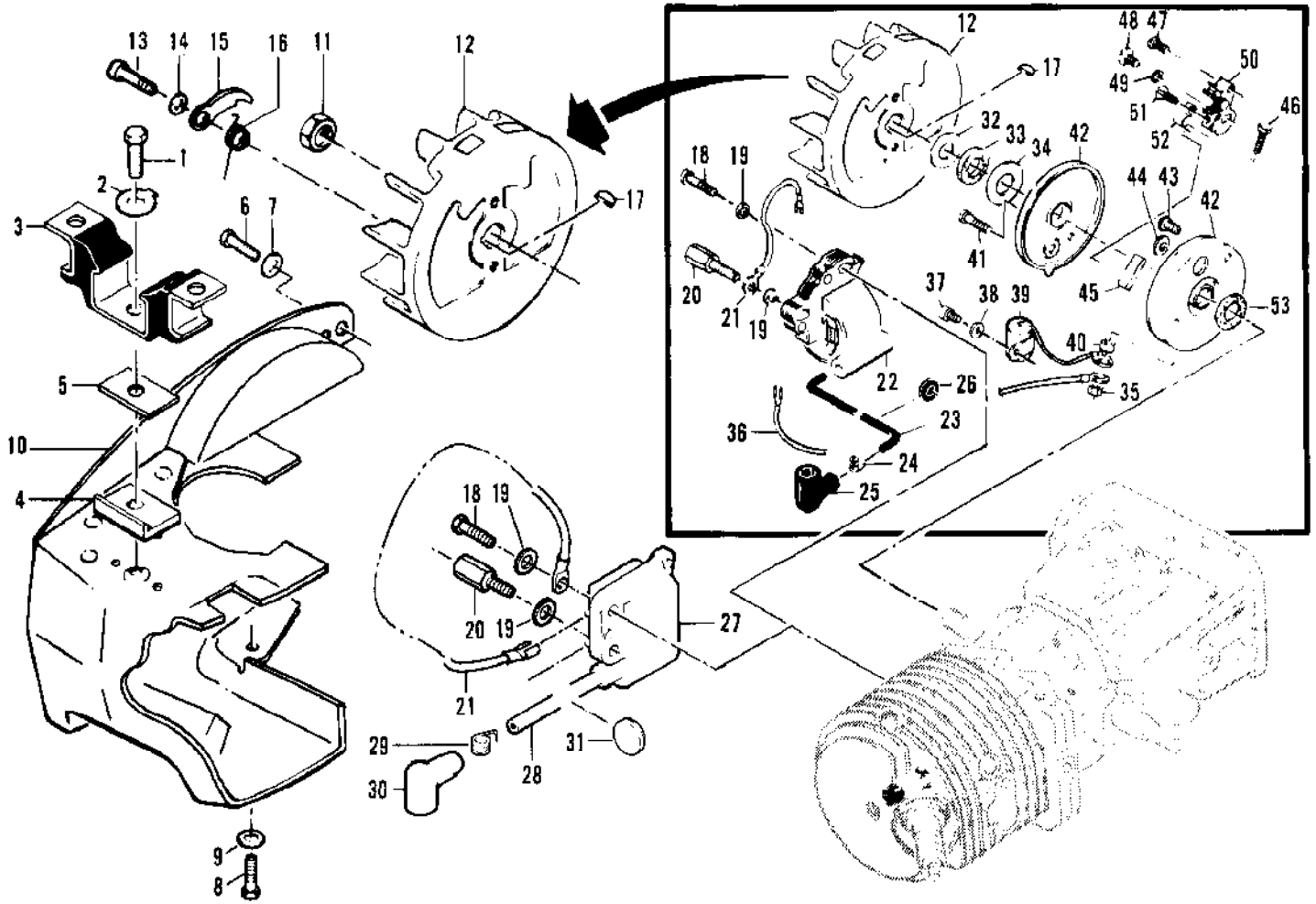


| Ref # | Part Number | Qty | Description                |
|-------|-------------|-----|----------------------------|
|       | 93049       |     | CHAIN BRAKE Asy            |
|       | 92988       |     | CHAIN BRAKE Asy            |
| 1     | 102500      | 1   | Screw-Pan hd 10-24 x 1/2   |
| 2     | 91273       | 1   | Washer-Special             |
| 3     | 93076       | 1   | Lever Asy                  |
| 4     | 93077       | 1   | Pin Asy-Roller             |
| 5     | 93085       | 1   | Spring-Brake               |
| 6     | 93083       | 1   | Latch                      |
| 7     | 93669       | 1   | Pivot- Latch               |
| 8     | 93081       | 1   | Band-Brake                 |
| 9     | 93082       | 1   | Pin-Band Anchor            |
| 10    | 93050       | 1   | Housing Asy-Brake          |
| 10    | 92987       | 1   | Housing Asy-Brake          |
| 11    | 110527      | 1   | Screw-Fil hd 10-24 x 2-3/4 |
| 12    | 110264      | 1   | Washer #10                 |
| 13    | 61705       | 1   | Nut-Bar adjusting          |
| 14    | 100002      | 1   | Washer #10                 |
| 15    | 102067      | 1   | Nut-Hx 10-24               |
| 16    | 91246       | 1   | Pin-Lever pivot            |
| 17    | 91245       | 1   | Washer - Thrust            |



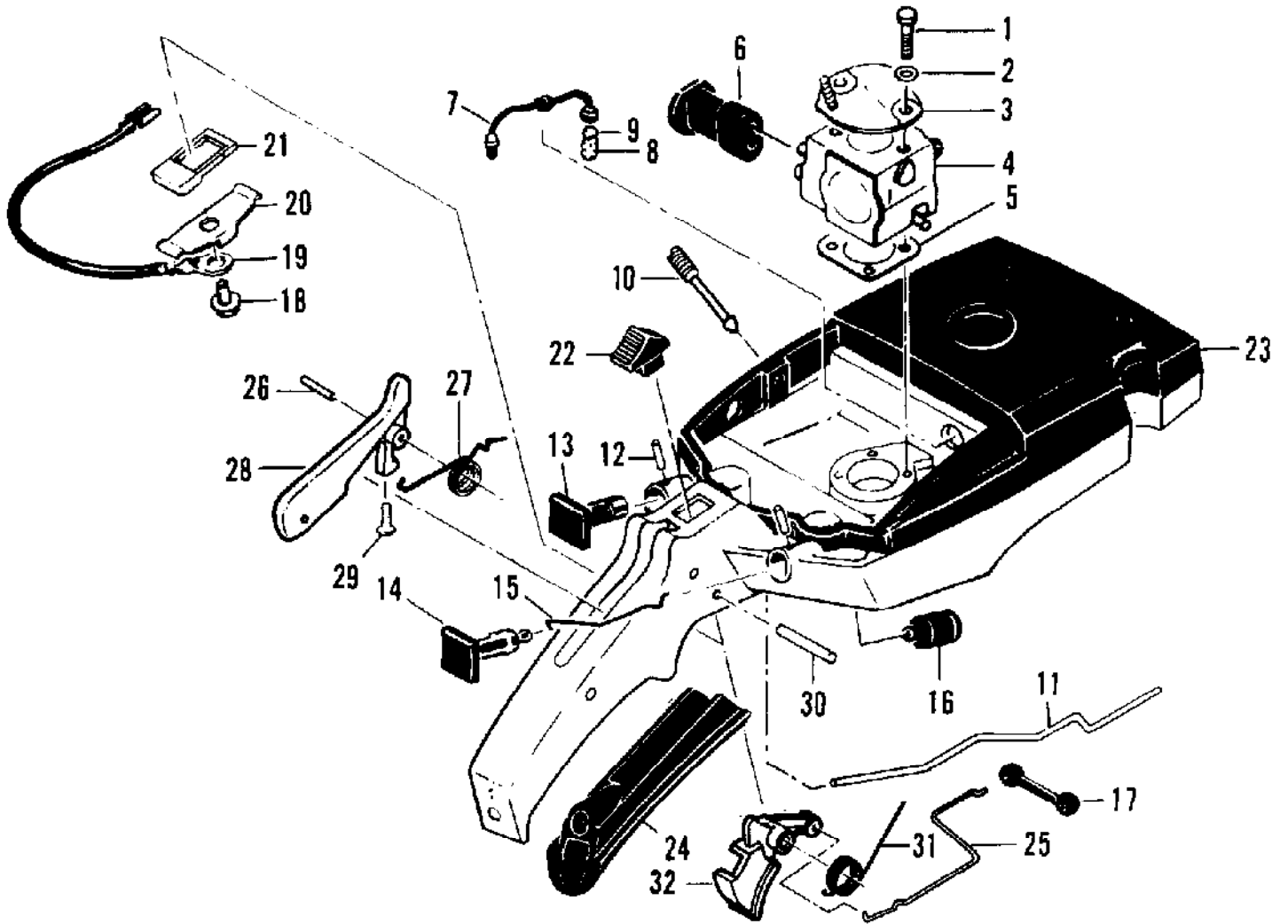


| Ref # | Part Number | Qty | Description                |
|-------|-------------|-----|----------------------------|
|       | 90921A      | 1   | Fan Housing & Starter Asy  |
| 1     | 62191A      | 1   | Insert-Starter             |
| 2     | 93137       | 1   | Handle-Starter             |
| 3     | 110646      | 3   | Screw-Oval hd 8-32 x 1-1/8 |
| 4     | 87672       | 1   | Cover Asy-Starter          |
| 5     | 87670       | 1   | Rope -Starter              |
| 6     | 110341      | 1   | Screw-Hex hd 10-24 x 1/2   |
| 7     | 105841      | 1   | Pin-Roll                   |
| 8     | 87689       | 1   | Drum-Starter               |
| 9     | 87680       | 1   | Spring-Rewind              |
| 10    | 86053       | 1   | Shield-Spring              |
| 11    | 83748       | 1   | Shaft-Starter              |
| 12    | 87693       | 1   | Kit-Fan housing            |
| 13    | 87674       | 1   | Guard-Sawdust              |

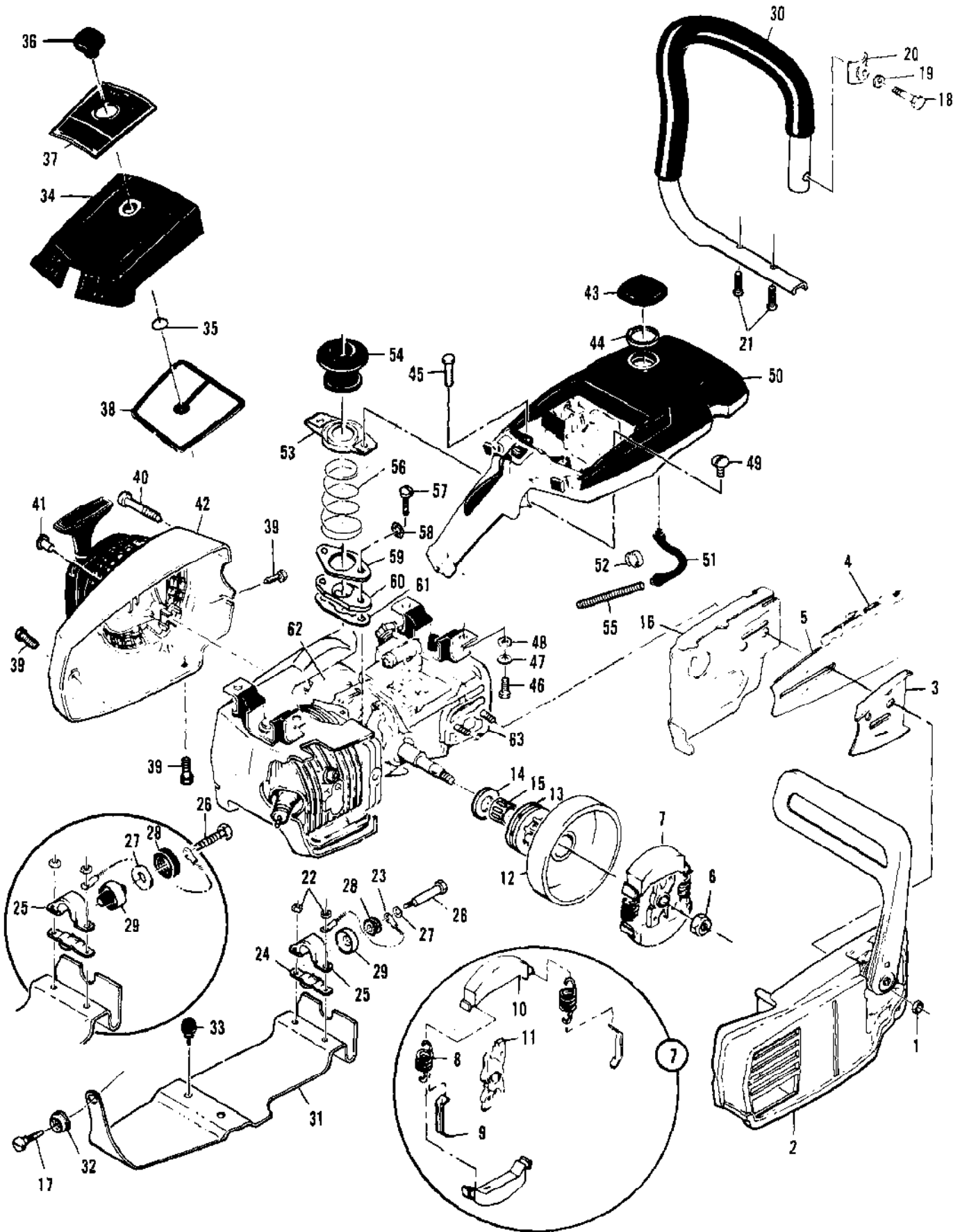


| Ref # | Part Number | Qty | Description                                                                                                         |
|-------|-------------|-----|---------------------------------------------------------------------------------------------------------------------|
| 1     | 83811       | 1   | Screw-Special                                                                                                       |
| 2     | 69924       | 1   | Plate-Lock                                                                                                          |
| 3     | 91578A      | 1   | Mount-Rear                                                                                                          |
| 3     | 93925       | 1   | Mount-Rear Part numbers which have changed since the previous printing of the IPL covering these saws.              |
| 4     | 83693       | 1   | Kit-Rear mount adaptor                                                                                              |
| 5     | 84619       | 1   | Insulator-Rear mount                                                                                                |
| 6     | 110776      | 1   | Screw-Fil hd 8-32 x 3/8                                                                                             |
| 7     | 100057      | 1   | Washer-Lock #8                                                                                                      |
| 8     | 110566      | 1   | Screw-Hx hd 12-24 x 5/8                                                                                             |
| 9     | 110106      | 1   | Washer-#12                                                                                                          |
| 10    | 85747A      | 1   | Shroud Asy                                                                                                          |
| 11    | 110703      | 1   | Nut-Hx 3/8-24                                                                                                       |
| 12    | 86068       | 1   | Flywheel Asy                                                                                                        |
| 13    | 88804       | 2   | Screw-Pawl pivot                                                                                                    |
| 14    | 83241       | 2   | Washer-Special                                                                                                      |
| 15    | 67546       | 2   | Pawl-Starter                                                                                                        |
| 16    | 67545       | 2   | Spring-Pawl                                                                                                         |
| 17    | 100106      | 1   | Key-Woodruff                                                                                                        |
| 18    | 110127      | 1   | Screw-Hx hd 10-24 x 7/8 (SEMS)                                                                                      |
| 19    | 100002      | 2   | Washer-#10                                                                                                          |
| 20    | 83512       | 1   | Stud-Special                                                                                                        |
| 21    | 85798       | 1   | Wire Asy-Ground                                                                                                     |
| 22    | 87246A      | 1   | Coil & Lamination Asy                                                                                               |
| 23    | 50120       | 1   | Wire Asy-Spark plug                                                                                                 |
| 24    | 55061       | 1   | Connector                                                                                                           |
| 25    | 85758       | 1   | Boot                                                                                                                |
| 26    | 100268      | 1   | Grommet                                                                                                             |
| 27    | 92785       | 1   | Electronic Ignition Asy Part numbers which have changed since the previous printing of the IPL covering these saws. |
| 28    | 92796       | 1   | Wire Asy-Spark plug Part numbers which have changed since the previous printing of the IPL covering these saws.     |
| 29    | 102556      | 1   | Connector Part numbers which have changed since the previous printing of the IPL covering these saws.               |
| 30    | 85758       | 1   | Boot Part numbers which have changed since the previous printing of the IPL covering these saws.                    |
| 31    | 110995      | 1   | Grommet Part numbers which have changed since the previous printing of the IPL covering these saws.                 |
| 32    | 67057       | 1   | Washer-Thrust                                                                                                       |
| 33    | 67056       | 1   | Seal-Breaker box cover                                                                                              |
| 34    | 67054       | 1   | Washer-Thrust                                                                                                       |
| 35    | 100298      | 1   | Nut-Hx 6-32                                                                                                         |
| 36    | 85796       | 1   | Wire Asy-Primary                                                                                                    |
| 37    | 110338      | 1   | Screw-Fil hd 8-32 x 9/16                                                                                            |
| 38    | 100080      | 1   | Washer-#8                                                                                                           |
| 39    | 85358       | 1   | Condenser                                                                                                           |
| 40    | 62365       | 1   | Spacer-Breaker box                                                                                                  |
| 41    | 110584      | 1   | Screw-Pan hd 8-32 x 3/4                                                                                             |
| 42    | 91852       | 1   | Kit-Breaker box & cover                                                                                             |
| 43    | 110489      | 1   | Screw-Pan hd 6-32 x 7/16                                                                                            |

| Ref # | Part Number | Qty | Description                  |
|-------|-------------|-----|------------------------------|
| 44    | 91838       | 1   | Washer                       |
| 45    | 54184       | 1   | Wiper-Cam                    |
| 46    | 110346      | 1   | Screw-Hx hd 6-32 x 3/4       |
| 47    | 110811      | 1   | Screw-Pan hd 8-32 x 3/8      |
| 48    | 110969      | 1   | Screw-Hx hd 8-32 x 1/2       |
| 49    | 105976      | 1   | Washer-#8                    |
| 50    | 88808       | 1   | Breaker Asy                  |
| 51    | 110706      | 1   | Screw-Pan hd 6-32 x 7/16 s/t |
| 52    | 83126       | 1   | Strap-Conduction             |
| 53    | 67051       | 1   | Seal-Breaker box             |



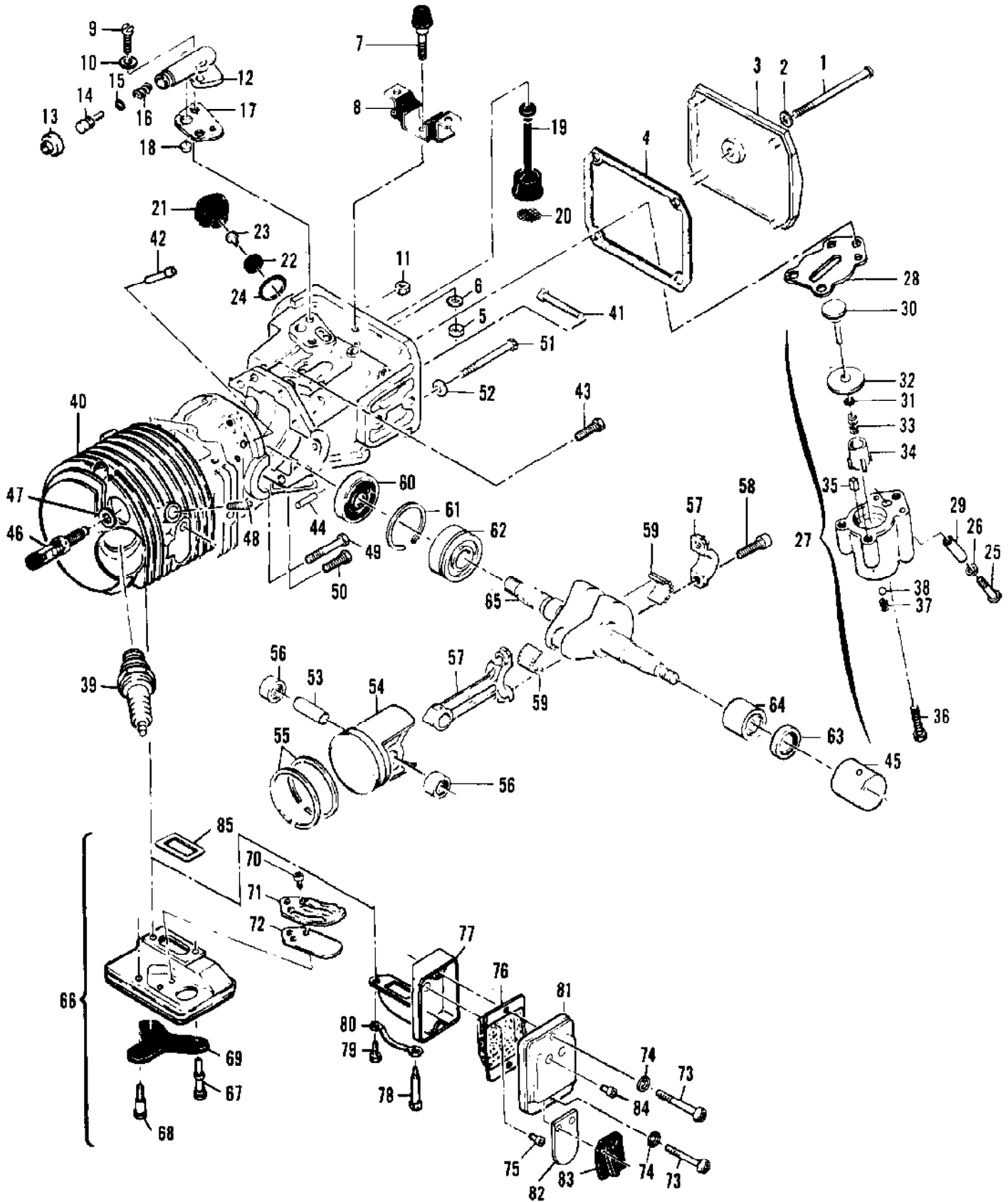
| Ref # | Part Number | Qty | Description                                                                                                          |
|-------|-------------|-----|----------------------------------------------------------------------------------------------------------------------|
| 1     | 110894      | 2   | Screw-Hx hd 10-24 x 2-1/8                                                                                            |
| 2     | 110964      | 2   | Washer                                                                                                               |
| 3     | 69952       | 1   | Bracket-Air cleaner                                                                                                  |
| 4     |             |     | Carburetor Asy See "Carburetor Assembly" illustration and parts list.                                                |
| 5     | 86189       | 1   | Gasket-Carburetor                                                                                                    |
| 6     | 69629       | 1   | Boot-Carburetor controls                                                                                             |
| 6     | 85901       | 1   | Boot-Carburetor controls                                                                                             |
| 7     | 64848       | 1   | Hose Assembly-Fuel                                                                                                   |
| 8     | 63932       | 1   | Filter - Fuel                                                                                                        |
| 9     | 100440      | 1   | Washer                                                                                                               |
| 10    | 86273       | 1   | Screw-Idle speed                                                                                                     |
| 11    | 92903       | 1   | Rod-Oiler                                                                                                            |
| 12    | 105673      | 2   | Pin-Roll 3/32 x 9/16                                                                                                 |
| 13    | 63044       | 1   | Button-Oiler                                                                                                         |
| 14    | 69630       | 1   | Button-Choke                                                                                                         |
| 15    | 69631       | 1   | Rod-Choke                                                                                                            |
| 16    | 69597       | 2   | Boot-Control rod                                                                                                     |
| 17    | 69043       | 1   | Snubber-Rod                                                                                                          |
| 18    | 110706      | 1   | Screw-Fil hd 8-18 x 1/2 (SEMS)                                                                                       |
| 19    | 83661       | 1   | Wire Asy-Stop switch                                                                                                 |
| 20    | 62451       | 1   | Contact-Switch                                                                                                       |
| 21    | 62950A      | 1   | Base-Switch                                                                                                          |
| 22    | 68846       | 1   | Button-Switch                                                                                                        |
| 23    | 94025       | 1   | Tank/Control Asy Part numbers which have changed since the previous printing of the IPL covering these saws.         |
| 24    | 89320       | 1   | Insert-Handle grip                                                                                                   |
| 25    | 92155       | 1   | Rod-Throttle                                                                                                         |
| 26    | 105654      | 1   | Pin-Roll 1/8 x 7/8                                                                                                   |
| 27    | 92154       | 1   | Spring-Trigger release                                                                                               |
| 28    | 94275       | 1   | Release Asy-Trigger Part numbers which have changed since the previous printing of the IPL covering these saws.      |
| 29    | 111012      | 1   | Screw-Pan hd 4-40 x 5/16 Part numbers which have changed since the previous printing of the IPL covering these saws. |
| 30    | 110378      | 1   | Pin-Roll 3/16 x 15/16                                                                                                |
| 31    | 92152       | 1   | Spring-Trigger                                                                                                       |
| 32    | 92151A      | 1   | Trigger-Throttle Part numbers which have changed since the previous printing of the IPL covering these saws.         |
|       | 87821       |     | Carburetor Asy                                                                                                       |
|       | 85916       |     | Carburetor Asy                                                                                                       |





| Ref # | Part Number | Qty | Description                                                                                                        |
|-------|-------------|-----|--------------------------------------------------------------------------------------------------------------------|
| 1     | 110961      | 2   | Nut-Hx hd 5/16-24                                                                                                  |
| 2     |             |     | CHAIN BRAKE Asy See "Chain Brake Assembly" illustration and parts list.                                            |
| 3     | 64325       | 1   | Plate-Bar protector                                                                                                |
| 4     |             | 1   | Chain Asy                                                                                                          |
| 5     |             | 1   | Bar Asy                                                                                                            |
| 6     | 86113       | 1   | Nut-Hx 3/8-24 L.H.                                                                                                 |
| 7     | 87675       | 1   | Clutch Asy                                                                                                         |
| 8     | 83223       | 2   | Spring-Clutch                                                                                                      |
| 9     | 64583       | 2   | Retainer-Spring                                                                                                    |
| 10    | 67233       | 2   | Shoe-Clutch                                                                                                        |
| 11    | 89438       | 1   | Rotor-Clutch                                                                                                       |
| 12    | 86946       | 1   | Drum-Clutch                                                                                                        |
| 12    | 86942       | 1   | Drum-Clutch .375P                                                                                                  |
| 13    | 86951       | 1   | Sprocket-7T .375P                                                                                                  |
| 13    | 86344       | 1   | Sprocket-77 .375P                                                                                                  |
| 14    | 86958       | 1   | Washer-Shim                                                                                                        |
| 14    | 86958       | 1   | Washer-Shim                                                                                                        |
| 15    | 110971      | 1   | Bearing-Sprocket                                                                                                   |
| 16    | 84978A      | 1   | Guard-Sawdust                                                                                                      |
| 17    | 93037       | 1   | Screw-Frame brace                                                                                                  |
| 18    | 102130      | 1   | Screw-Hx 1/4-20 x 1-1/2                                                                                            |
| 19    | 100153      | 1   | Lockwasher-1/4                                                                                                     |
| 20    | 63484       | 1   | Clamp-Frame                                                                                                        |
| 21    | 104395      | 2   | Screw-Pan 10-24 x 5/8                                                                                              |
| 22    | 101191      | 2   | Nut-Hx Lock 10-24                                                                                                  |
| 23    | 83828A      | 1   | Wire Asy-Ground Part numbers which have changed since the previous printing of the IPL covering these saws.        |
| 24    | 92701       | 1   | Clamp-Bottom                                                                                                       |
| 25    | 92700       | 1   | Clamp-Top                                                                                                          |
| 26    | 93096       | 1   | Screw-Shoulder                                                                                                     |
| 27    | 94114       | 1   | Washer-1/4 Part numbers which have changed since the previous printing of the IPL covering these saws.             |
| 28    | 92703       | 1   | Hub-Mount                                                                                                          |
| 29    | 92704       | 1   | Mount                                                                                                              |
| 25    | 93932       | 1   | Clamp- Top Part numbers which have changed since the previous printing of the IPL covering these saws.             |
| 26    | 110679      | 1   | Screw-Hx hd 1/4-20 x 2 Part numbers which have changed since the previous printing of the IPL covering these saws. |
| 27    | 110845      | 1   | Washer-Plain Part numbers which have changed since the previous printing of the IPL covering these saws.           |
| 28    | 84661       | 1   | Grommet Part numbers which have changed since the previous printing of the IPL covering these saws.                |
| 29    | 85898       | 1   | Mount Part numbers which have changed since the previous printing of the IPL covering these saws.                  |
| 30    | 92698       | 1   | Frame & Grip Asy                                                                                                   |
| 31    | 92696       | 1   | Brace-Frame                                                                                                        |
| 32    | 93032       | 1   | Grommet-Frame brace                                                                                                |

| Ref # | Part Number | Qty | Description                                                                                                        |
|-------|-------------|-----|--------------------------------------------------------------------------------------------------------------------|
| 33    | 89403       | 2   | Bumper-Lower                                                                                                       |
| 34    | 85850A      | 1   | Cover Asy-Air                                                                                                      |
| 35    | 110565      | 1   | Ring-Retaining                                                                                                     |
| 36    | 68529       | 1   | Knob-Cover                                                                                                         |
| 37    | 92705       | 1   | Nameplate                                                                                                          |
| 38    | 85387       | 1   | Filter Asy-Air                                                                                                     |
| 39    | 110741      | 3   | Screw-Pan hd 10-24 x 1/2                                                                                           |
| 40    | 87871       | Z   | Screw-Special                                                                                                      |
| 41    | 110667      | 1   | Rivet                                                                                                              |
| 42    |             |     | Fan Housing & Starter Asy See "Fan Housing & Starter Assembly" illustration and parts list.                        |
| 43    | 89322       | 1   | Cap-Fuel                                                                                                           |
| 44    | 69767       | 1   | Gasket-Fuel cap                                                                                                    |
| 45    | 110746      | 2   | Screw-Hx hd 10-24 x 1/2                                                                                            |
| 46    | 102861      | 2   | Screw-Hx hd 1/4-20 x 5/8                                                                                           |
| 47    | 100153      | 2   | Lockwasher-1/4                                                                                                     |
| 48    | 100005      | 2   | Washer-1/4                                                                                                         |
| 49    | 110807      | 2   | Screw-Pan hd 8-32 x 5/16                                                                                           |
| 50    |             |     | Fuel Tank Asy See "Fuel Tank Assembly" illustration and parts list.                                                |
| 51    | 69598       | 1   | Line-Pulse                                                                                                         |
| 52    | 87826       | 1   | Clamp-Pulse line                                                                                                   |
| 53    | 86175       | 1   | Clamp Asy-Boot                                                                                                     |
| 54    | 88834A      | 1   | Boot-Port                                                                                                          |
| 55    | 67944       | 1   | Spring-Hose stiff                                                                                                  |
| 56    | 86190       | 1   | Spring-Ground                                                                                                      |
| 57    | 104398      | 2   | Screw-Pan hd 10-24 x 1 Part numbers which have changed since the previous printing of the IPL covering these saws. |
| 58    | 101194      | Z   | Lockwasher-#10                                                                                                     |
| 59    | 69759A      | 1   | Clamp-Boot                                                                                                         |
| 60    | 87842       | 1   | Insulator-Inlet                                                                                                    |
| 61    | 88740       | 1   | Gasket-Insulator                                                                                                   |
| 62    |             |     | Flywheel & Ignition system See "Flywheel & Ignition system" illustration and parts list.                           |
| 63    |             |     | Powerhead & Oiler Asy See "Powerhead & Oiler Assembly" illustration and parts list.                                |



| Ref # | Part Number | Qty | Description                |
|-------|-------------|-----|----------------------------|
| 1     | 110291      | 1   | Screw-Pan hd 10-24 x 2-5/8 |
| 2     | 110921      | 1   | Washer-Sealing             |
| 3     | 86304       | 1   | Cover-Oil tank             |
| 4     | 86306       | 1   | Gasket-Cover               |
| 5     | 101143      | 1   | Nut-Hx 1/4-20              |
| 6     | 102523      | 1   | Washer-1/4                 |
| 7     | 69832       | 1   | Bumper-Front               |
| 8     | 91582A      | 1   | Mount-Front                |
| 8     | 93926       | 1   | Mount-Front                |
| 9     | 110338      | 2   | Screw-Fil hd 8-32 x 9/16   |
| 10    | 110613      | 2   | Washer-#8                  |
| 11    | 100955      | 1   | Nut-Hx 8-32                |
| 12    | 84156       | 1   | Housing-Pump               |
| 13    | 62262       | 1   | Cap-Housing                |
| 14    | 92902       | 1   | Plunger-Pump               |
| 15    | 105614      | 1   | "O" Ring                   |
| 16    | 66687       | 1   | Spring-Pump                |
| 17    | 91669       | 1   | Gasket-Pump                |
| 18    | 91668       | 1   | Valve-Pump                 |
| 19    | 91672       | 1   | Hose Asy-Oil               |
| 20    | 51506       | 1   | Screen-Hose                |
| 21    | 87270       | 1   | Cap Asy-Oil                |
| 22    | 87269       | 1   | Retainer                   |
| 23    | 86402       | 1   | Valve-Check                |
| 24    | 101148      | 1   | "O" Ring                   |
| 25    | 110865      | 1   | Screw-Hx hd 10-24 x 7/8    |
| 26    | 100003      | 1   | Washer-Special             |
| 27    | 89115B      | 1   | Pump Asy-Pulse             |
| 28    | 92818       | 1   | Seal-Pulse Pump            |
| 29    | 91774       | 1   | Sleeve-Oil Pump            |
| 30    | 60260A      | 1   | Piston Pump                |
| 31    | 105603      | 1   | "O" Ring                   |
| 32    | 86182       | 1   | Ring-Piston                |
| 33    | 60259       | 1   | Spring-Piston              |
| 34    | 62227       | 1   | Sleeve-Adjustment          |
| 35    | 91259       | 1   | Pad-Oil pump               |
| 36    | 110386      | 1   | Screw-Hx hd 8-32 x 1       |
| 37    | 92844       | 1   | Spring-Outlet valve        |
| 38    | 102809      | 1   | Ball-Valve                 |
| 39    | 63432       | 1   | Spark plug                 |
| 39    | 93017       | 1   | Spark plug                 |
| 39    | 93018       | 1   | Spark plug                 |
| 40    | 92693A      | 1   | Kit-Cyl/C'case/Bolt Asy    |
| 41    | 62065       | 2   | Bolt-Bar mounting          |
| 42    | 69600       | 1   | Nipple-Pulse line          |
| 43    | 110288      | 2   | Screw-Hx hd 8-32 x 3/4     |
| 44    | 110581      | 1   | Pin-Dowel                  |
| 45    | 87152       | 1   | Insert-Bearing             |
| 46    | 94272       | 1   | Valve-DSP                  |
| 47    | 85505       | 1   | Washer                     |
| 48    | 110681      | 1   | Screw-Skt hd 10-24 x 1/4   |
| 49    | 110618      | 1   | Screw-Hx hd 8-32 x 1-3/8   |
| 50    | 110288      | 1   | Screw-Hx hd 8-32 x 3/4     |
| 51    | 62105       | 4   | Screw Asy-Sealing          |
| 52    | 62842       | 4   | Washer-Sealing             |

| Ref # | Part Number | Qty | Description                    |
|-------|-------------|-----|--------------------------------|
| 53    | 87710       | 1   | Pin-Piston                     |
| 54    | 89783A      | 1   | Piston Assembly                |
| 55    | 92517       | 1   | Ring Set-Piston                |
| 56    | 110590      | 2   | Bearing                        |
| 57    | 85352       | 1   | Connecting Rod Asy             |
| 58    | 61627A      | 2   | Screw-Special                  |
| 59    | 63225       | 1   | Roller (Set of 20)             |
| 60    | 61618       | 1   | Seal-Oil                       |
| 61    | 63464       | 1   | Ring-Snap                      |
| 62    | 63429B      | 1   | Bearing-Ball                   |
| 63    | 110260      | 1   | Seal-Oil                       |
| 64    | 104357      | 1   | Bearing-Needle                 |
| 65    | 87699       | 1   | Crankshaft                     |
| 66    | 68863       | 1   | Kit-Muffler                    |
| 67    | 67838       | 2   | Screw-Muffler long             |
| 68    | 67837       | 1   | Screw-Muffler short            |
| 69    | 83993       | 1   | Lockplate                      |
| 70    | 110563      | 2   | Screw-Skt hd 8-32 x 1/4        |
| 71    | 84780       | 1   | Stop-Reed                      |
| 72    | 84779       | 1   | Reed                           |
|       | 93992       | 1   | Kit-Muffler                    |
| 73    | 101563      | 2   | Screw-Skt hd 10-24 x 1-1/4     |
| 74    | 110264      | 2   | Washer                         |
| 75    | 110928      | 1   | Screw-Hx hd 10-24 x 1/2        |
| 76    | 85152       | 1   | Baffle                         |
| 77    | 83105       | 1   | Body-Muffler                   |
| 78    | 68187       | 1   | Screw-Special                  |
| 79    | 110529      | 1   | Screw-Hx hd 10-24 x 1/2        |
| 80    | 67922       | 1   | Lockplate                      |
| 81    | 83966       | 1   | Cover Asy-Muffler              |
| 81    | 87683       | 1   | Cover/Valve Asy-Spark Arrester |
| 82    | 87682       | 1   | Valve-Reed                     |
| 83    | 87286       | 1   | Stop-Reed                      |
| 84    | 110472      | 2   | Screw Skt hd 8-32 x 5/16       |
| 85    |             |     | UNKNOWN                        |