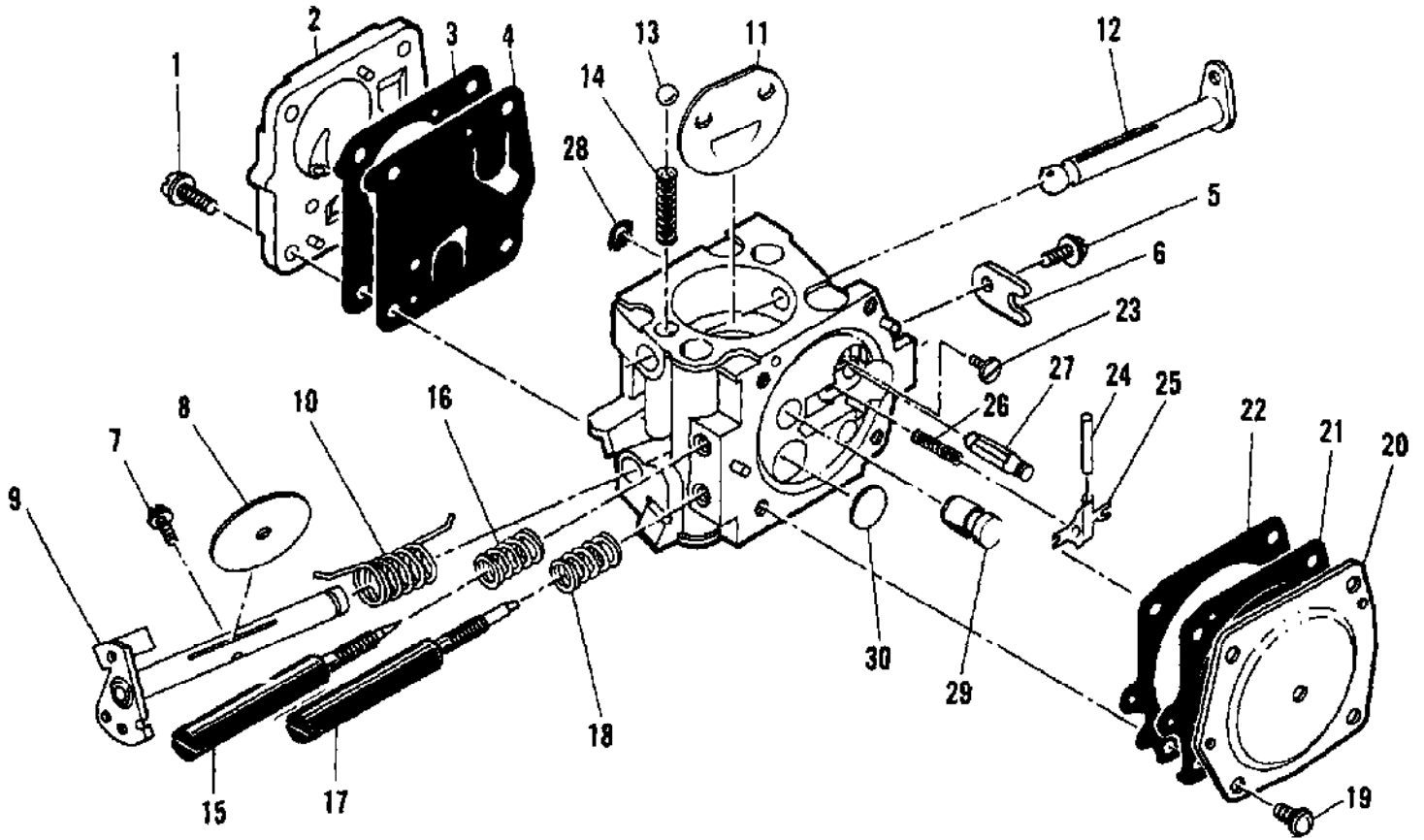


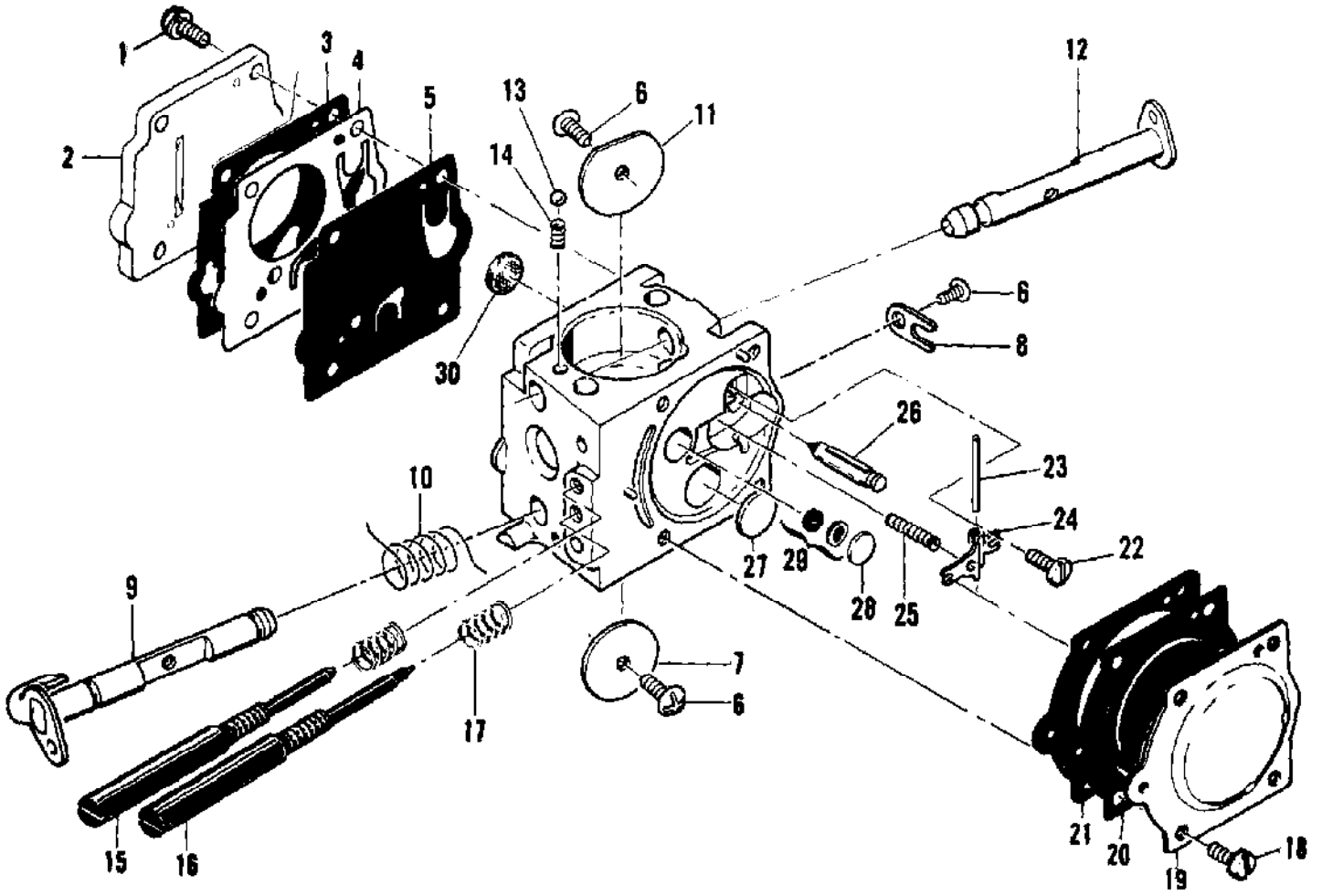
No
Diagram
Available

Parts List
Only

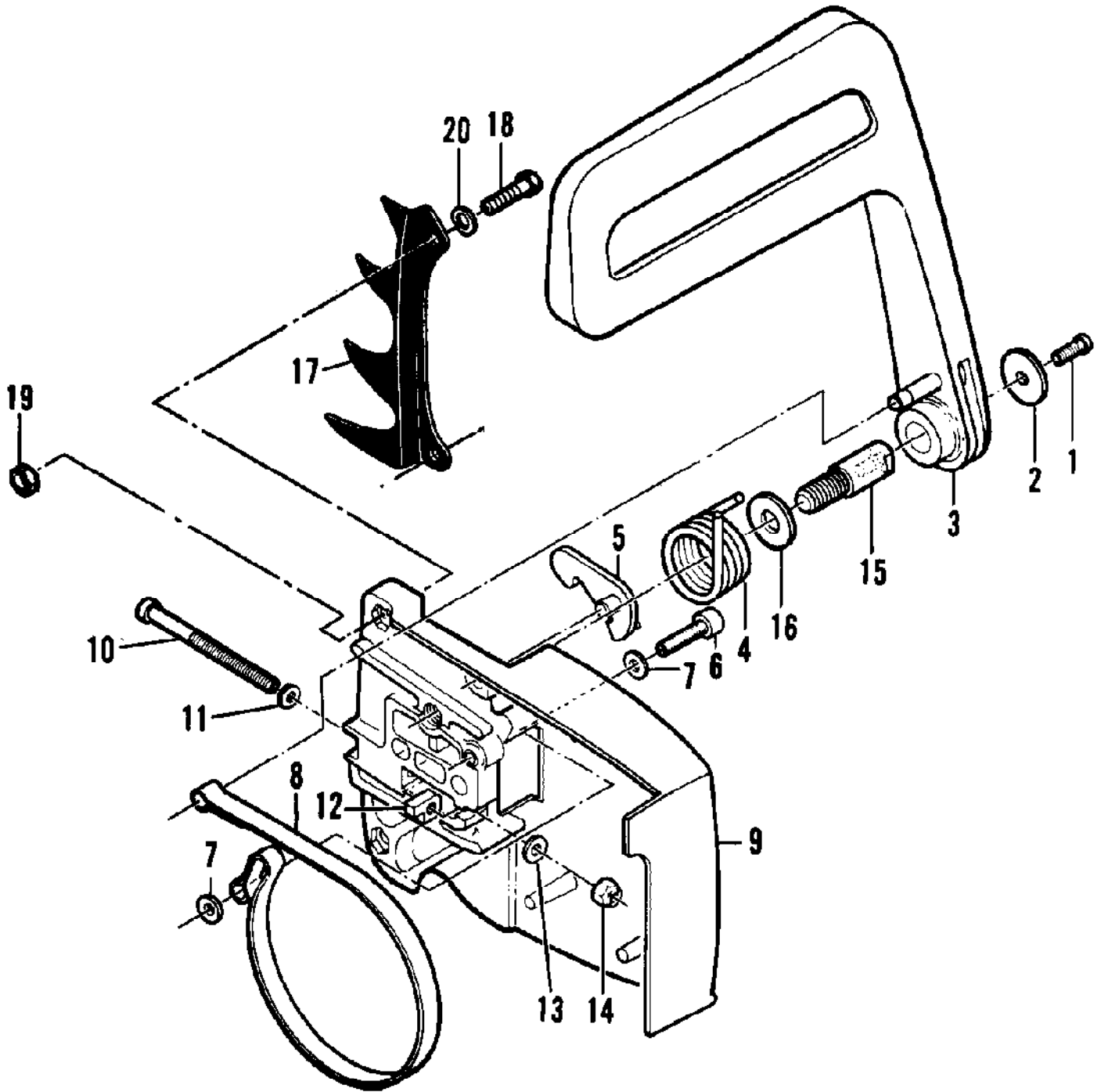
| Ref # | Part Number | Qty | Description |
|-------|-------------|-----|------------------------------|
| | 86218 | | Kit-Preheater |
| | 86209 | | Kit-Duct, Valve, Guard |
| | 84597 | | Baffle-Spark arrester |
| | 86943 | | Kit-Sprocket & Drum 8T .375P |
| | 86344 | | Kit-Sprocket & Drum 7T .404P |
| | 92455 | | Rope-Starter (100 ft) |
| | 85968 | | Guard-Hand |
| | 87839 | | Adapter-Bar mounting |
| | 91226 | | Wrench-Clutch retaining |
| | 63432 | | Spark Plug (standard) |
| | 63097 | | Spark Plug (hotter) |
| | 63746 | | Scrench |



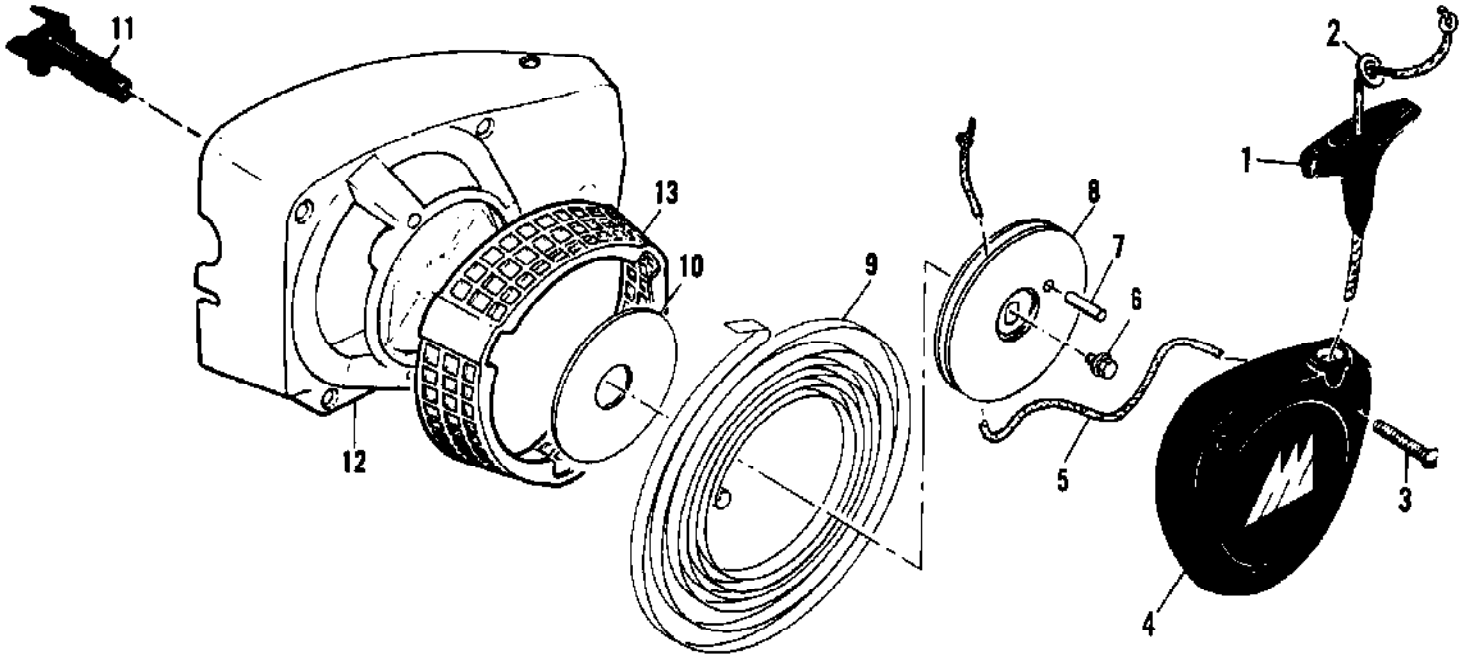
| Ref # | Part Number | Qty | Description |
|-------|-------------|-----|----------------------------------------------------------------------------------------------------------------------------|
| | 85916 | 1 | Carburetor Asy - HS 111A This is one of two carburetors used alternately on models with serial number prefix 10-, and 11-. |
| 1 | 52933 | 4 | Screw - Pump cover |
| 2 | 66628 | 1 | Cover - Pump |
| 3 | 66629 | 1 | Gasket - Cover |
| 4 | 66630 | 1 | Diaphragm - Fuel pump |
| 5 | 48780 | 1 | Screw - Clip retainer |
| 6 | 66646 | 1 | Clip - Throttle shaft |
| 7 | 48780 | 1 | Screw - Plate |
| 8 | 51720 | 1 | Plate - Throttle |
| 9 | 83546 | 1 | Shaft Asy - Throttle |
| 10 | 67136 | 1 | Spring - Throttle return |
| 11 | 65856 | 1 | Plate - Choke |
| 12 | 83725 | 1 | Shaft Asy - Choke |
| 13 | 100071 | 1 | Ball - Choke friction |
| 14 | 52930 | 1 | Spring - Choke friction |
| 15 | 86169 | 1 | Needle - High speed |
| 16 | 52936 | 1 | Spring - High Speed needle |
| 17 | 86170 | 1 | Needle - Idle |
| 18 | 67133 | 1 | Spring - Idle needle |
| 19 | 51721 | 4 | Screw - Diaphragm cover |
| 20 | 83724 | 1 | Cover - Diaphragm |
| 21 | 66632 | 1 | Diaphragm - Metering |
| 22 | 66633 | 1 | Gasket - Diaphragm |
| 23 | 83479 | 1 | Screw - Lever pin |
| 24 | 66636 | 1 | Pin - Lever |
| 25 | 66638 | 1 | Lever - Metering |
| 26 | 66404 | 1 | Spring - Lever |
| 27 | 66637 | 1 | Valve - Needle |
| 28 | 66623 | 1 | Screen - Fuel inlet |
| 29 | 83729 | 1 | Check Valve - Nozzle |
| 30 | 66622 | 1 | Plug - Welch |



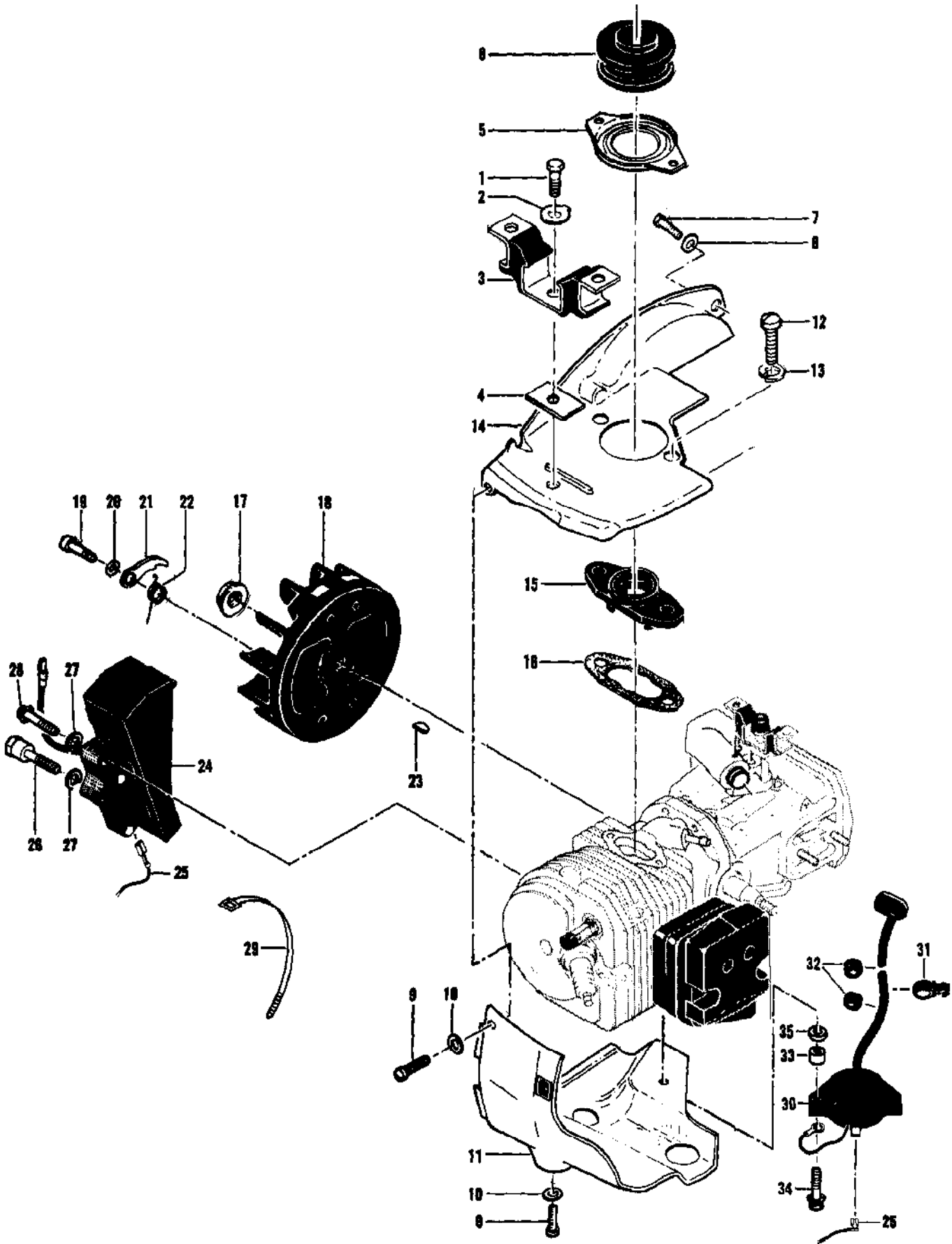
| Ref # | Part Number | Qty | Description |
|-------|-------------|-----|--------------------------|
| | 87821 | 1 | Carburetor Asy - SDC 38A |
| 1 | 67501 | 4 | Screw - Pump cover |
| 2 | 88731 | 1 | Kit - Pump cover |
| 3 | 88617 | 1 | Gasket - Cover |
| 4 | 67498 | 1 | Diaphragm - Check valve |
| 5 | 83114 | 1 | Diaphragm - Fuel pump |
| 6 | 47690 | 3 | Screw - Plate |
| 7 | 83762 | 1 | Plate - Throttle |
| 8 | 67489 | 1 | Clip - Shaft |
| 9 | 85980 | 1 | Shaft Asy - Throttle |
| 10 | 85981 | 1 | Spring - Throttle return |
| 11 | 67490 | 1 | Plate - Choke |
| 12 | 67488 | 1 | Shaft Asy - Choke |
| 13 | 100302 | 1 | Ball - Choke friction |
| 14 | 67504 | 1 | Spring - Choke friction |
| 15 | 85979 | 1 | Needle - High Speed |
| 16 | 85982 | 1 | Needle - Idle |
| 17 | 67502 | 2 | Spring - Needle |
| 18 | 70798 | 4 | Screw - Diaphragm |
| 19 | 83761 | 1 | Cover - Diaphragm |
| 20 | 67499 | 1 | Diaphragm - Metering |
| 21 | 67496 | 1 | Gasket - Diaphragm |
| 22 | 67500 | 1 | Screw - Lever pin |
| 23 | 67508 | 1 | Pin - Lever |
| 24 | 67509 | 1 | Lever - Inlet |
| 25 | 67503 | 1 | Spring - Lever |
| 26 | 67491 | 1 | Valve - Needle |
| 27 | 71690 | 1 | Plug - 3/8 |
| 28 | 69506 | 1 | Plug - 5/16 |
| 29 | 83758 | 1 | Kit - Valve & Seat Asy |
| 30 | 67507 | 1 | Screen - Fuel |
| | 67482 | | Gasket Kit |
| | 85987 | | Repair Kit |



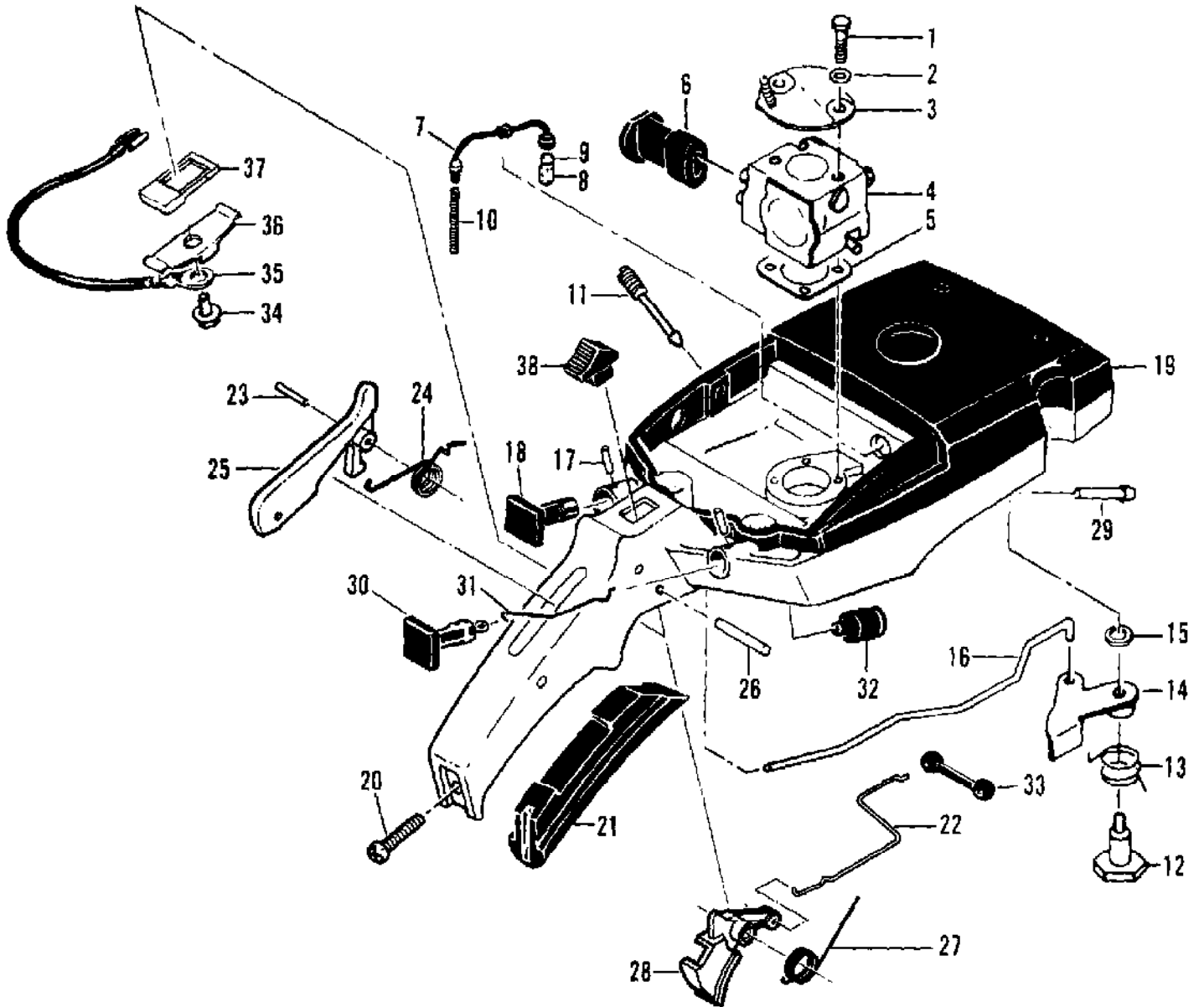
| Ref # | Part Number | Qty | Description |
|-------|-------------|-----|------------------------------|
| | 91278 | 1 | CHAIN BRAKE Asy |
| 1 | 102500 | 1 | Screw - Pan hd 10-24 x 1/2 |
| 2 | 91273 | 1 | Washer - Special |
| 3 | 91251A | 1 | Lever Asy |
| 4 | 91239 | 1 | Spring |
| 5 | 91235A | 1 | Latch Asy |
| 6 | 105738 | 1 | Screw - Skt hd 1/4-20 x 7/8 |
| 7 | 91274 | 2 | Washer - Special |
| 8 | 91238 | 1 | Band |
| 9 | 91249 | 1 | Housing Asy |
| 10 | 110527 | 1 | Screw - Fil hd 10-24 x 2-3/4 |
| 11 | 110264 | 1 | Washer - #10 |
| 12 | 61705 | 1 | Nut - Bar adjusting |
| 13 | 100002 | 1 | Washer - #10 |
| 14 | 102067 | 1 | Nut - Hx 10-24 |
| 15 | 91246 | 1 | Pin - Lever pivot |
| 16 | 91245 | 1 | Washer - Thrust |
| 17 | 86330 | 1 | Kit - Spike |
| 18 | 102388 | 2 | Screw - Hx hd 10-24 x 5/8 |
| 19 | 101191 | 2 | Nut - Hx 10-24 |
| 20 | 24236 | 2 | Washer - Special |



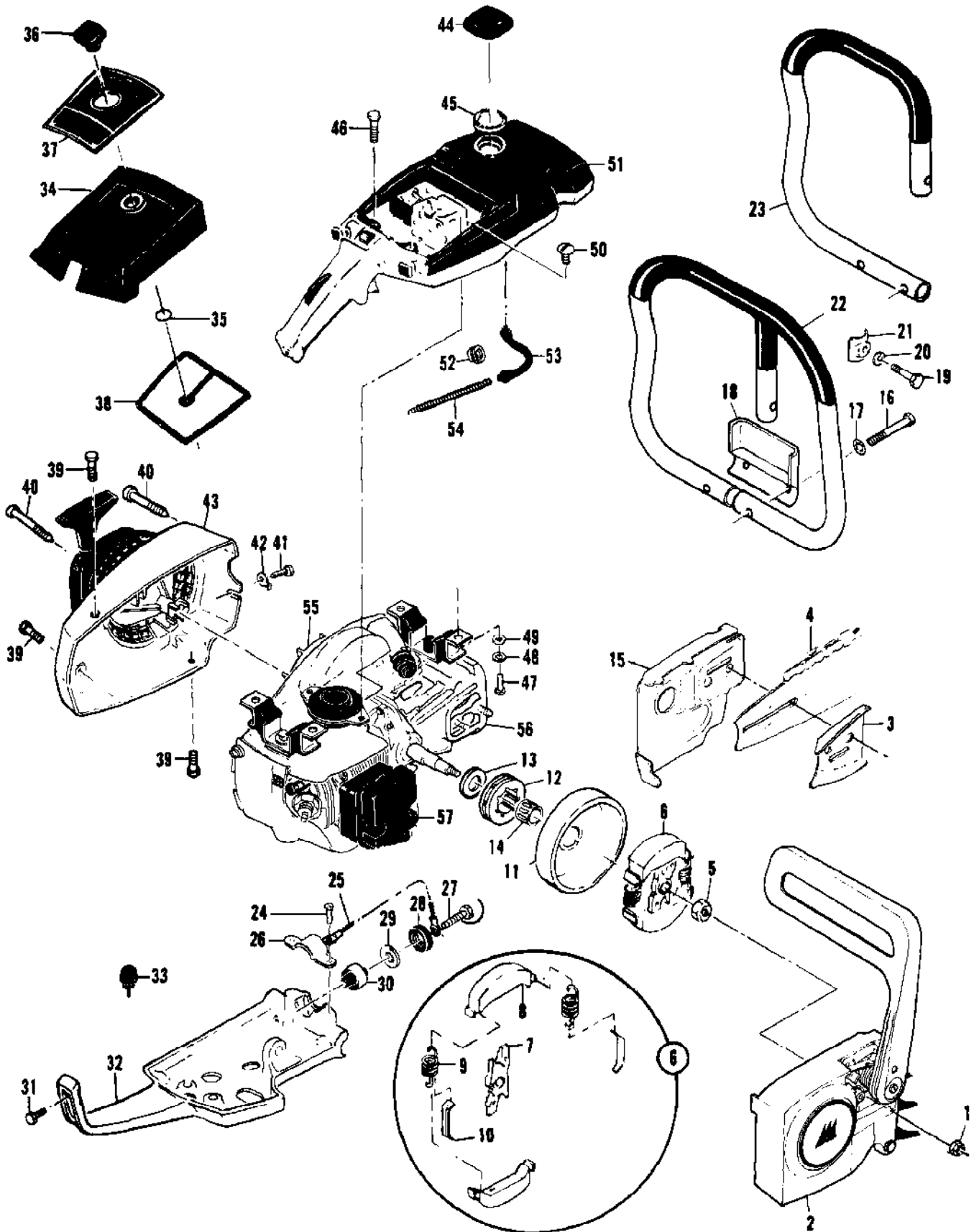
| Ref # | Part Number | Qty | Description |
|-------|-------------|-----|------------------------------|
| 1 | 91255 | 1 | Kit - Starter handle |
| 2 | 105490 | 1 | Washer |
| | 90921 | 1 | Fan Housing & Starter Asy |
| 3 | 110646 | 3 | Screw - Oval hd 8-32 x 1-1/8 |
| 4 | 87672 | 1 | Cover Asy - Starter |
| 5 | 87670 | 1 | Rope - Starter |
| 6 | 110341 | 1 | Screw - Hex hd 10-24 x 1/2 |
| 7 | 105841 | 1 | Pin - Roll |
| 8 | 87689 | 1 | Drum - Starter |
| 9 | 87680 | 1 | Spring - Rewind |
| 10 | 86053 | 1 | Shield - Spring |
| 11 | 83748 | 1 | Shaft - Starter |
| 12 | 87693 | 1 | Kit - Fan housing |
| 13 | 87674 | 1 | Guard - Sawdust |



| Ref # | Part Number | Qty | Description |
|-------|-------------|-----|---------------------------|
| 1 | 83811 | 1 | Screw-Special |
| 2 | 69924 | 1 | Lockplate |
| 3 | 91578A | 1 | Mount Rear |
| 4 | 84619 | 1 | Insulator |
| 5 | 86175 | 1 | Clamp Asy-Boot |
| 6 | 88834A | 1 | Boot-Port |
| 7 | 110776 | 1 | Screw-Fil hd 8-32 x 3/8 |
| 8 | 100057 | 1 | Lockwasher - #8 |
| 9 | 102500 | 2 | Screw-Pan hd 10-24 X 1/2 |
| 10 | 100002 | 2 | Washer-#10 |
| 11 | 92815 | 1 | Shroud-Lower |
| 12 | 104396 | 2 | Screw-Pan hd 10-24 X 3/4 |
| 13 | 101194 | 2 | Lockwasher #10 |
| 14 | 88835A | 1 | Shroud-Upper |
| 15 | 87844 | 1 | Insulator-Inlet |
| 16 | 88740 | 1 | Gasket-Insulator |
| 17 | 110703 | 1 | Nut-Hex 3/8-24 |
| 18 | 92886 | 1 | Flywheel Asy |
| 19 | 88804 | 2 | Screw-Special |
| 20 | 83241 | 2 | Washer-Special |
| 21 | 67546 | 2 | Pawl-Starter |
| 22 | 67545 | 2 | Spring-Pawl |
| 23 | 100106 | 1 | Key-Woodruff |
| 24 | 92846 | 1 | Module Asy-Stator |
| 25 | 92848 | 1 | Wire Asy-Primary |
| 26 | 92889 | 1 | Stud-Fan Housing Mounting |
| 27 | 100002 | 2 | Washer #10 |
| 28 | 103947 | 1 | Screw-Hx 10-24 x 1.0 |
| 29 | 93273 | 1 | Tie Cable |
| 30 | 92847 | 1 | Transformer Asy |
| 31 | 110973 | 1 | Clip-Guide .375 |
| 32 | 100268 | 2 | Grommet |
| 33 | 92890 | 2 | Spacer-Transformer |
| 34 | 110749 | 2 | Screw-Hx W 10-24 x 1.12 |
| 35 | 100002 | 2 | Washer #10 |

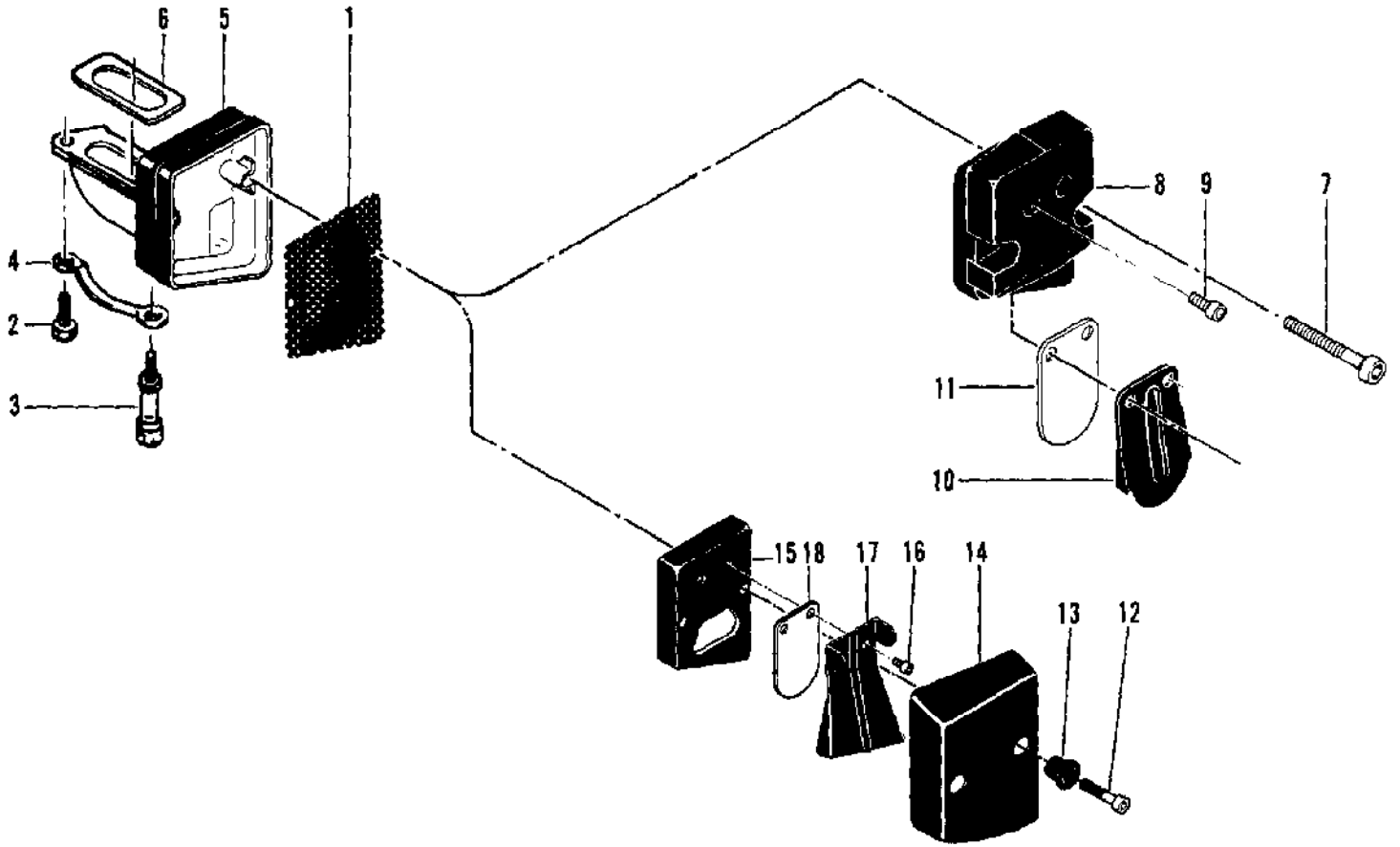


| Ref # | Part Number | Qty | Description |
|-------|-------------|-----|-----------------------------------------------------------------------------------------------------------------------|
| 1 | 110894 | 2 | Screw - Hx hd 10-24 x 2-1/8 |
| 2 | 110964 | 2 | Washer |
| 3 | 83204 | 1 | Bracket Assembly |
| 4 | | | Carburetor Asy See "Carburetor Assembly (SDC 38A)" and "Carburetor Assembly (HS 111A)" illustrations and parts lists. |
| 5 | 86189 | 1 | Gasket - Carburetor |
| 6 | 69629 | 1 | Boot - Carburetor controls |
| 6 | 85901 | 1 | Boot - Carburetor controls |
| 7 | 64848 | 1 | Hose Assembly - Fuel |
| 8 | 63932 | 1 | Filter - Fuel |
| 9 | 100440 | 1 | Washer |
| 10 | 67944 | 1 | Spring - Hose |
| 11 | 86273 | 1 | Screw - Idle speed |
| 12 | 69594 | 1 | Pivot - Oiler lever |
| 13 | 69781 | 1 | Spring - Oiler lever |
| 14 | 69825 | 1 | Lever Assembly - Oiler |
| 15 | 105048 | 1 | Washer - 3/16 |
| 16 | 69802 | 1 | Rod - Oiler |
| 17 | 105673 | 2 | Pin - Roll 3/32 x 9/16 |
| 18 | 63044 | 1 | Button - Oiler |
| 19 | 87888A | 1 | Tank Assembly - Fuel |
| 20 | 105722 | 1 | Screw - Fil hd 1/4-20 x 1-3/8 |
| 21 | 89400 | 1 | Insert - Handle grip |
| 22 | 92155 | 1 | Rod - Throttle |
| 23 | 105654 | 1 | Pin - Roll 1/8 x 7/8 |
| 24 | 92154 | 1 | Spring - Trigger release |
| 25 | 92153A | 1 | Release - Trigger |
| 26 | 110378 | 1 | Pin - Roll 3/16 x 15/16 |
| 27 | 92152 | 1 | Spring - Trigger |
| 28 | 92151A | 1 | Trigger - Throttle |
| 29 | 69600 | 1 | Nipple - Pulse line |
| 30 | 69630 | 1 | Button - Choke |
| 31 | 69631 | 1 | Rod - Choke |
| 32 | 69597 | 2 | Boot - Control rod |
| 33 | 69043 | 1 | Snubber - Rod |
| 34 | 110706 | 1 | Screw - Fil hd 8-18 x 1/2 (SEMS) |
| 35 | 92888 | 1 | Wire Asy - Stop switch |
| 36 | 62451 | 1 | Contact - Switch |
| 37 | 62950A | 1 | Base - Switch |
| 38 | 68846 | 1 | Button - Switch |
| | 87821 | | Carburetor Asy |
| | 85916 | | Carburetor Asy |

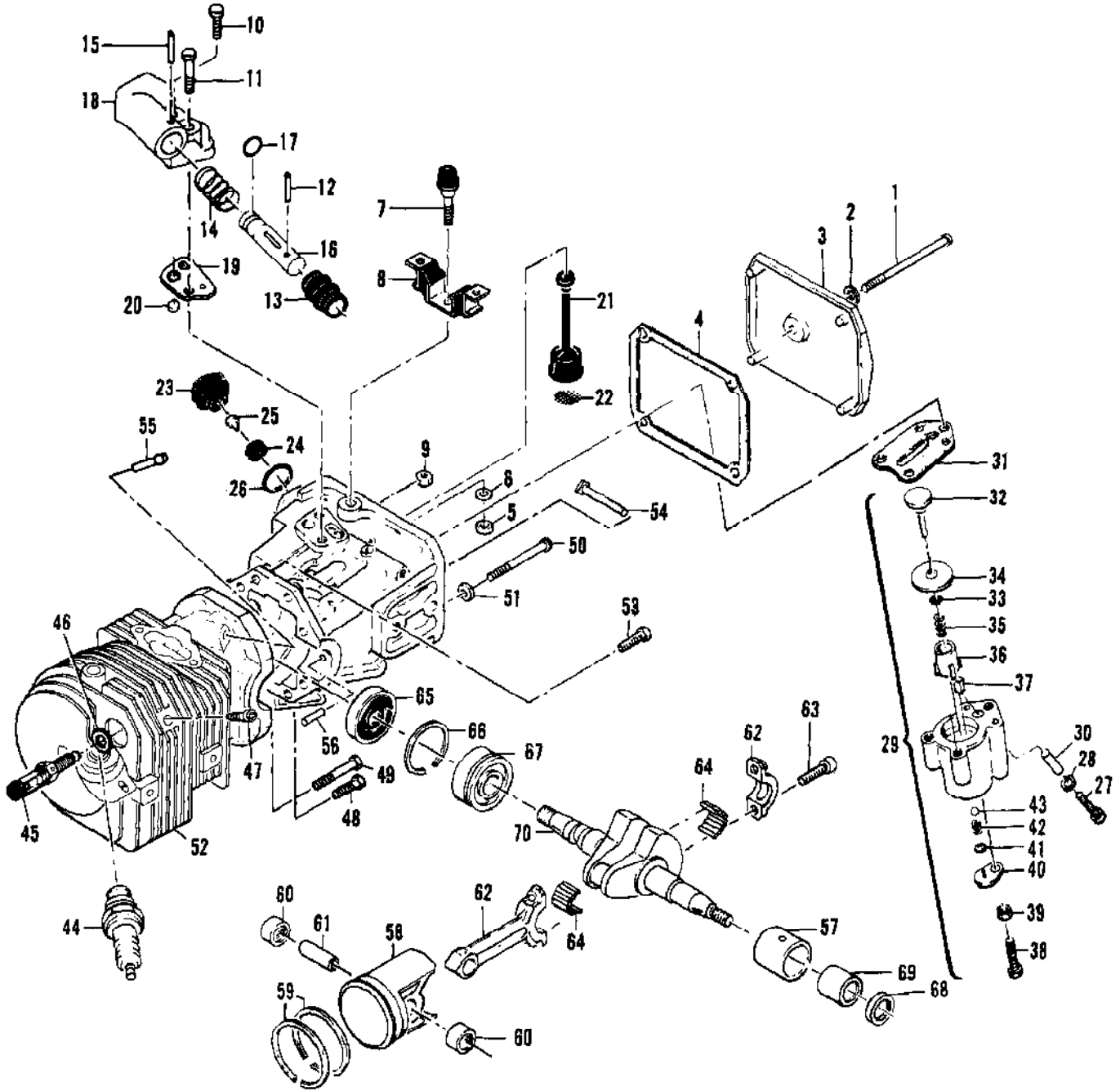


| Ref # | Part Number | Qty | Description |
|-------|-------------|-----|-----------------------------------------------------------------------------------------------|
| 1 | 110961 | 2 | Nut - Hx 5/16-24 |
| 2 | | | CHAIN BRAKE & Spike Asys See "Chain Brake & Spike Assembly" illustration and parts list. |
| 3 | 64325 | 1 | Plate - Bar protector |
| 4 | | | Bar & Chain |
| 5 | 86113 | 1 | Nut - Hx 3/8-24 (L.H.) |
| 6 | 87675 | 1 | Clutch Asy |
| 7 | 89438 | 1 | Rotor - Clutch |
| 8 | 67233 | 2 | Shoe - Clutch |
| 9 | 83223 | 2 | Spring - Clutch |
| 10 | 64583 | 2 | Retainer - Clutch spring |
| 11 | 86942 | 1 | Kit - Drum & Sprocket 7 T .375P |
| 12 | 86344 | 1 | Sprocket |
| 13 | 86958 | 1 | Washer - Sprocket |
| 14 | 110971 | 1 | Bearing - Sprocket |
| 15 | 84978 | 1 | Shield - Sawdust |
| 16 | 102433 | 2 | Screw - Hx hd 10-24 x 1-5/8 |
| 17 | 101194 | 2 | Lockwasher - #10 |
| 18 | 84798 | 1 | Clamp - Frame |
| 19 | 102130 | 1 | Screw - Hx hd 1/4-20 x 1-1/2 |
| 20 | 100153 | 1 | Lockwasher - 1/4 |
| 21 | 63484 | 1 | Clamp - Frame |
| 22 | 91632A | 1 | Frame & Grip Asy Used on models 600439A, 600439D, 600439J, with serial number prefix 10-, 11. |
| 23 | 91586 | 1 | Frame Cr, Grip Asy Used on models 600439B, 600439E, with serial number prefix 11. |
| 24 | 104950 | 2 | Screw - Hx hd 10-24 x 5/8 |
| 25 | 83828 | 1 | Wire Asy - Ground |
| 26 | 83819 | 1 | Clamp - Lower mount |
| 27 | 110679 | 1 | Screw - Hx hd 1/4-20 x 2 |
| 28 | 84661 | 1 | Grommet |
| 29 | 110845 | 1 | Washer - 1/4 |
| 30 | 85898 | 1 | Mount - Lower |
| 31 | 105722 | 1 | Screw - Fil hd 1/4-20 x 1-3/8 |
| 32 | 92816 | 1 | Brace - Frame |
| 33 | 89403 | 2 | Bumper |
| 34 | 85850A | 1 | Cover Asy - Air cleaner |
| 35 | 110565 | 1 | Ring - Retaining |
| 36 | 68529 | 1 | Knob - Cover |
| 37 | 91689A | 1 | Nameplate |
| 38 | 85387 | 1 | Filter - Air |
| 39 | 110741 | 3 | Screw - Pan hd 10-24 x 1/2 |
| 40 | 87871 | 3 | Screw - Special |
| 41 | 102762 | 1 | Screw - Hx hd 10-24 x 1/2 |
| 42 | 69890 | 1 | Lockplate |
| 43 | | | Fan Housing & Starter Asy See "Fan Housing & Starter Assembly" illustration and parts list. |
| 44 | 89322 | 1 | Cap Asy - Fuel |
| 45 | 69767 | 1 | Gasket |
| 46 | 110746 | 2 | Screw - Hx hd 10-24 x 1/2 |
| 47 | 102861 | 2 | Screw - Hx hd 1/4-20 x 5/8 |
| 48 | 100153 | 2 | Lockwasher - 1/4 |
| 49 | 100005 | 2 | Washer - 1/4 |

| Ref # | Part Number | Qty | Description |
|-------|-------------|-----|------------------------------------------------------------------------------------------|
| 50 | 110807 | 2 | Screw - Pan hd 8-32 x 5/16 |
| 51 | | | Fuel Tank Asy See "Fuel Tank Assembly" illustration and parts list. |
| 52 | 87826 | 2 | Clamp - Hose |
| 53 | 69598 | 1 | Line - Pulse |
| 54 | 67944 | 1 | Spring - Hose |
| 55 | | | Flywheel & Ignition System See "Flywheel & Ignition System" illustration and parts list. |
| 56 | | | Powerhead & Oiler Asys See "Powerhead & Oiler Assembly" illustration and parts list. |
| 57 | | | Muffler Asy See "Muffler Assembly" illustration and parts list. |



| Ref # | Part Number | Qty | Description |
|-------|-------------|-----|----------------------------|
| 1 | 84580 | 1 | Baffle-Muffler |
| 2 | 110529 | 1 | Screw-Hx hd 10-24 x 1/2 |
| 3 | 84578 | 1 | Screw-Special |
| 4 | 84579 | 1 | Plate-Lock |
| 5 | 84572 | 1 | Body & Duct Asy |
| 6 | 84577 | 1 | Gasket-Muffler |
| 7 | 110440 | 2 | Screw-Skt hd 10-24 x 1-3/4 |
| 8 | 84581A | 1 | Kit-Cover & Valve Asy |
| 9 | 110472 | 2 | Screw-Skt hd 8-32 x 5/16 |
| 10 | 87193 | 1 | Stop-Reed |
| 11 | 85585 | 1 | Valve-Reed |
| 12 | 110440 | 2 | Screw-Skt hd 10-24 x 1-3/4 |
| 13 | 92539 | 2 | Bushing-Spacer |
| 14 | 92538 | 1 | Cover-Cooling |
| 15 | 92551 | 1 | Cover/Valve Asy |
| 16 | 110472 | 2 | Screw-Skt hd 8-32 x 5/16 |
| 17 | 92552 | 1 | Stop-Reed |
| 18 | 85585 | 1 | Valve-Reed |



| Ref # | Part Number | Qty | Description |
|-------|-------------|-----|----------------------------------------------------------------------------------------------|
| 1 | 110291 | 1 | Screw - Pan hd 10-24 x 2-5/8 |
| 2 | 110921 | 1 | Washer - Sealing |
| 3 | 86304 | 1 | Cover - Oil tank |
| 4 | 86306 | 1 | Gasket - Cover |
| 5 | 101143 | 1 | Nut - Hx 1/4-20 |
| 6 | 102523 | 1 | Washer - 1/4 |
| 7 | 69832 | 1 | Bumper - Front |
| 8 | 91582 | 1 | Mount - Front |
| 9 | 100955 | 1 | Nut - Hx 8-32 |
| 10 | 110670 | 1 | Screw - Fil hd 8-32 x 1/2 |
| 11 | 105245 | 1 | Screw - Fil hd 8-32 x 1 (SEMS) |
| 12 | 105673 | 1 | Pin - Roll 3/32 x 9/16 |
| 13 | 69586 | 1 | Boot - Plunger |
| 14 | 69585 | 1 | Spring - Plunger |
| 15 | 101556 | 1 | Pin - Roll 1/8 x 5/8 |
| 16 | 91219 | 1 | Plunger - Pump |
| 17 | 105614 | 1 | "O" Ring |
| 18 | 91218 | 1 | Body - Oil pump |
| 19 | 91669 | 1 | Gasket - Oil pump |
| 20 | 91668 | 1 | Valve - Oiler |
| 21 | 91672 | 1 | Hose - Oil |
| 22 | 51506 | 1 | Screen - Hose |
| 23 | 87270 | 1 | Cap - Oil tank |
| 24 | 87269 | 1 | Retainer - Valve |
| 25 | 86402 | 1 | Valve |
| 26 | 101148 | 1 | "O" Ring |
| 27 | 110865 | 1 | Screw - Skt hd 10-24 x 7/8 |
| 28 | 100003 | 1 | Washer - #10 |
| 29 | 89115A | 1 | Pump Asy - Pulse |
| 30 | 91774 | 1 | Sleeve |
| 31 | 92818 | 1 | Seal - Pulse pump |
| 32 | 60260A | 1 | Piston Asy - Pump |
| 33 | 105603 | 1 | "O" Ring |
| 34 | 86182 | 1 | Ring - Piston |
| 35 | 60259 | 1 | Spring - Piston |
| 36 | 62227 | 1 | Sleeve - Adjustment |
| 37 | 91259 | 1 | Pad - Oil pump |
| 38 | 110386 | 1 | Screw - Hx hd 8-32 x 1 |
| 39 | 100251 | 1 | Nut-Hx 8-32 |
| 40 | 62407 | 1 | Cover-Outlet valve |
| 41 | 106104 | 1 | "O" Ring |
| 42 | 92844 | 1 | Spring-Outlet valve |
| 43 | 102809 | 1 | Ball-Outlet valve |
| 44 | 63432 | 1 | Spark Plug Used on models 600439A, 600439A, 600439A, with serial number prefix 10-, and 11-. |
| | 93017 | 1 | Spark Plug Used on models 600439E, with serial number prefix 11-. |
| 45 | 87866 | 1 | Valve-Dsp |
| 46 | 85505 | 1 | Washer-Valve |
| 47 | 110681 | 1 | Screw-Skt hd 10-24 x 1/4 |
| 48 | 110963 | 1 | Screw-Hx hd 8-32 x 1.0 W |
| 49 | 110644 | 1 | Screw-Hx hd 8-32 x 1-1/2 |
| 50 | 62105 | 4 | Screw Asy-Sealing |

| Ref # | Part Number | Qty | Description |
|-------|-------------|-----|---------------------------|
| 51 | 62842 | 4 | Washer-Sealing |
| 52 | 93265 | 1 | Kit-Cyl., C'case, Piston |
| 53 | 110288 | 2 | Screw-Hx hd 8-32 x 3/4 |
| 54 | 62065 | 2 | Bolt-Bar mounting |
| 55 | 69600 | 1 | Nipple-Pulse line |
| 56 | 110851 | 1 | Pin-Dowel |
| 57 | 87152 | 1 | Insert-Bearing |
| 58 | 92518 | 1 | Piston Asy (Identified A) |
| | 92519 | 1 | Piston Asy (Identified B) |
| | 92520 | 1 | Piston Asy (Identified C) |
| 59 | 87854 | 1 | Ring Set-Piston |
| 60 | 110590 | 2 | Bearing-Needle |
| 61 | 69020 | 1 | Pin-Piston |
| 62 | 85237 | 1 | Connecting Rod Asy |
| 63 | 61627A | 2 | Screw-Special |
| 64 | 85246 | 1 | Roller-(set of 22) |
| 65 | 61618 | 1 | Seal-Oil |
| 66 | 63464 | 1 | Ring-Snap |
| 67 | 63429B | 1 | Bearing-Ball |
| 68 | 110260 | 1 | Seal-Oil |
| 69 | 104357 | 1 | Bearing-Needle |
| 70 | 92885 | 1 | Crankshaft |
| | 87151 | | Needle Insert/Bearing Asy |