

No
Diagram
Available

Parts List
Only

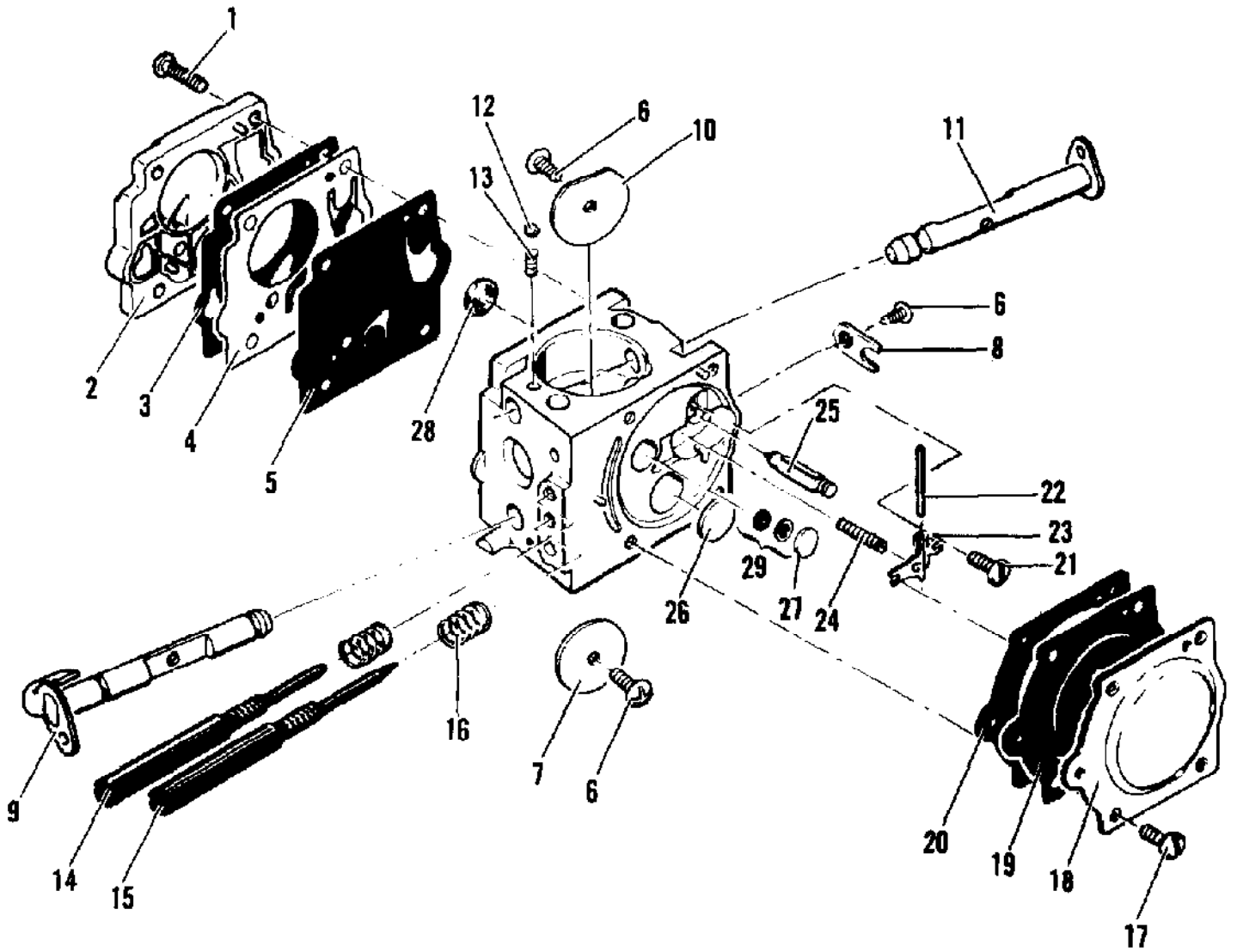
Ref #	Part Number	Qty	Description
	94121-01		Universal Carrying Case
	92896		Guard - Bar 16 in.
	86419		Timing Guide
	69191		Kit, Pressure Test Adapter
	215432		Tool, Pressure Test
	63139		Adapter Plate, Intake
	63137		Adapter Plate, Exhaust
	84453		Kit, Piston Tool
	214221		Scrench
	214223		Spark Plug, Standard Type
	63432		Spark Plug, Cooler Type
	91226		Wrench, Clutch/Flywheel
	322235		Kit, LOCTITE

No
Diagram
Available

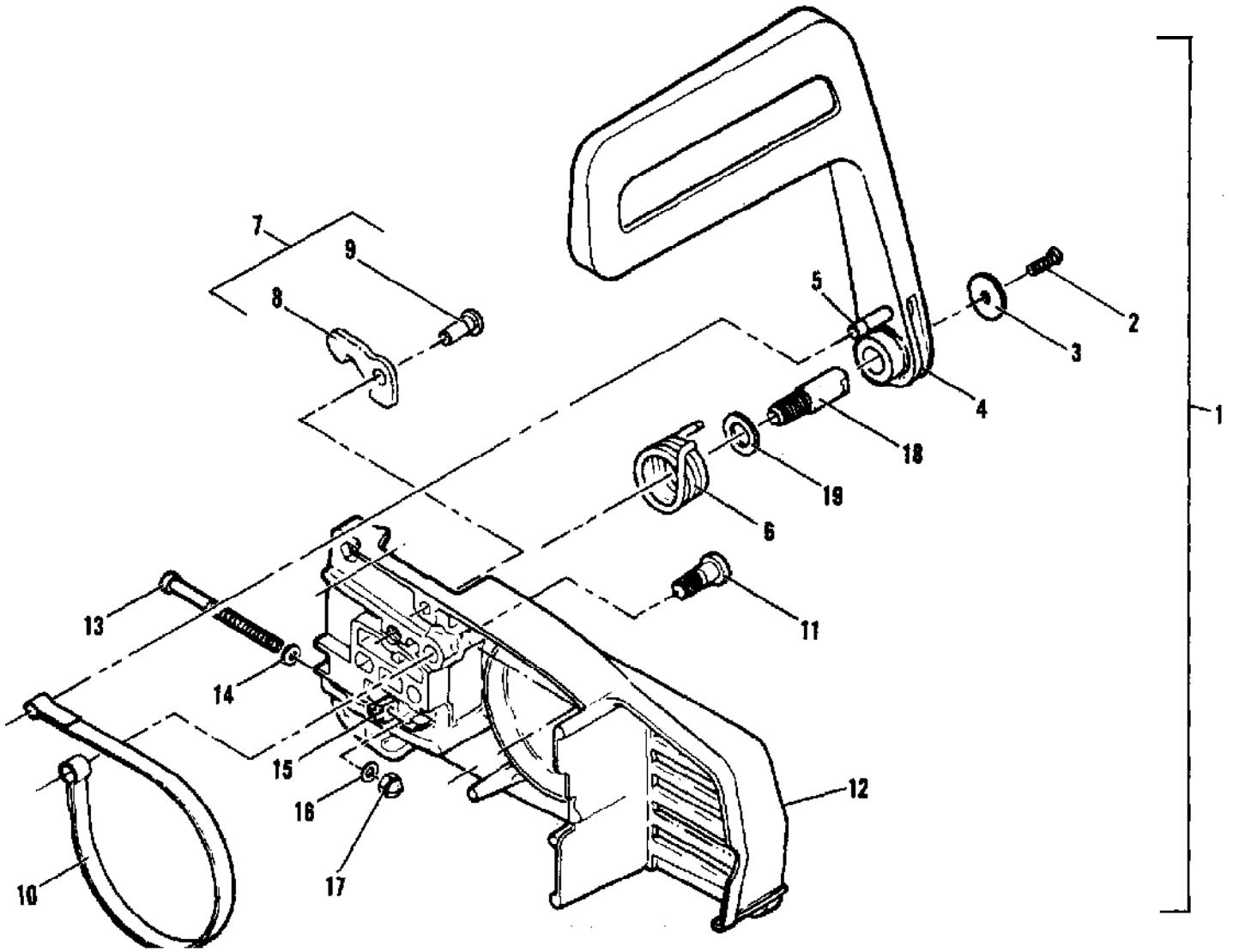
Parts List
Only

Ref #	Part Number	Qty	Description
	89502		16" Mac 10 .375 Replacement Nose Assemblies are not available for these bars
	94074		16" Speed Mac .375 Replacement Nose - Nose Assembly Bar .375 P/N 86830
	94074-05		16" Speed Mac .375 Replacement Nose - Kit Sprocket Nose Asy P/N 219807
	223195		16" Speed Mac .325 Replacement Nose - .325 Pitch Nose Asy P/N 223183
	89503		20" Mac 10 .375 Replacement Nose Assemblies are not available for these bars
	93778		20" Speed Mac .375 Replacement Nose - Nose Assembly Bar .375 P/N 86830
	93778-05		20" Speed Mac .375 Replacement Nose - Kit Sprocket Nose Asy P/N 219801
	218924		20" Speed Mac .325 Replacement Nose - .325 Pitch Nose Asy P/N 218999
	89504		24" Mac 10 .375 Replacement Nose Assemblies are not available for these bars
	86846		24" Speed Mac .375 Replacement Nose - Nose Assembly Bar .375 P/N 86830
	86846-05		24" Speed Mac .375 Replacement Nose - Kit Sprocket Nose Asy P/N 219807
	89505		28" Mac 10 .375 Replacement Nose Assemblies are not available for these bars
	86847		28" Speed Mac .375 Replacement Nose - Nose Assembly Bar .375 P/N 86830
	86847-05		28" Speed Mac .375 Replacement Nose - Kit Sprocket Nose Asy P/N 219801
	91284-00		33" Speed Mac .375 Replacement Nose - Kit Sprocket Nose Asy P/N 86830
	91284-01		33" Speed Mac .375 Replacement Nose - Kit Sprocket Nose Asy P/N 219807
	218839-12		Chain - 16" PMR 370 GLX 60 CL
	219132		File Plate
	219161		File - Size - 7/32
	88167-12		Chain - 16" PM 370 GX 60 CL
	219132		File Plate
	219161		File - Size - 7/32
	89974-12		Chain - 16" SPR 370 GX 60 CL
	219132		File Plate
	219161		File - Size - 7/32
	218551-12		Chain - 16" SPG 320 GLX 68 CL
	219130		File Plate
	98023		File - Size - 11/64
	89978-12		Chain - 20" SPR 370 GX 70 CL
	219132		File Plate
	219161		File - Size - 7/32

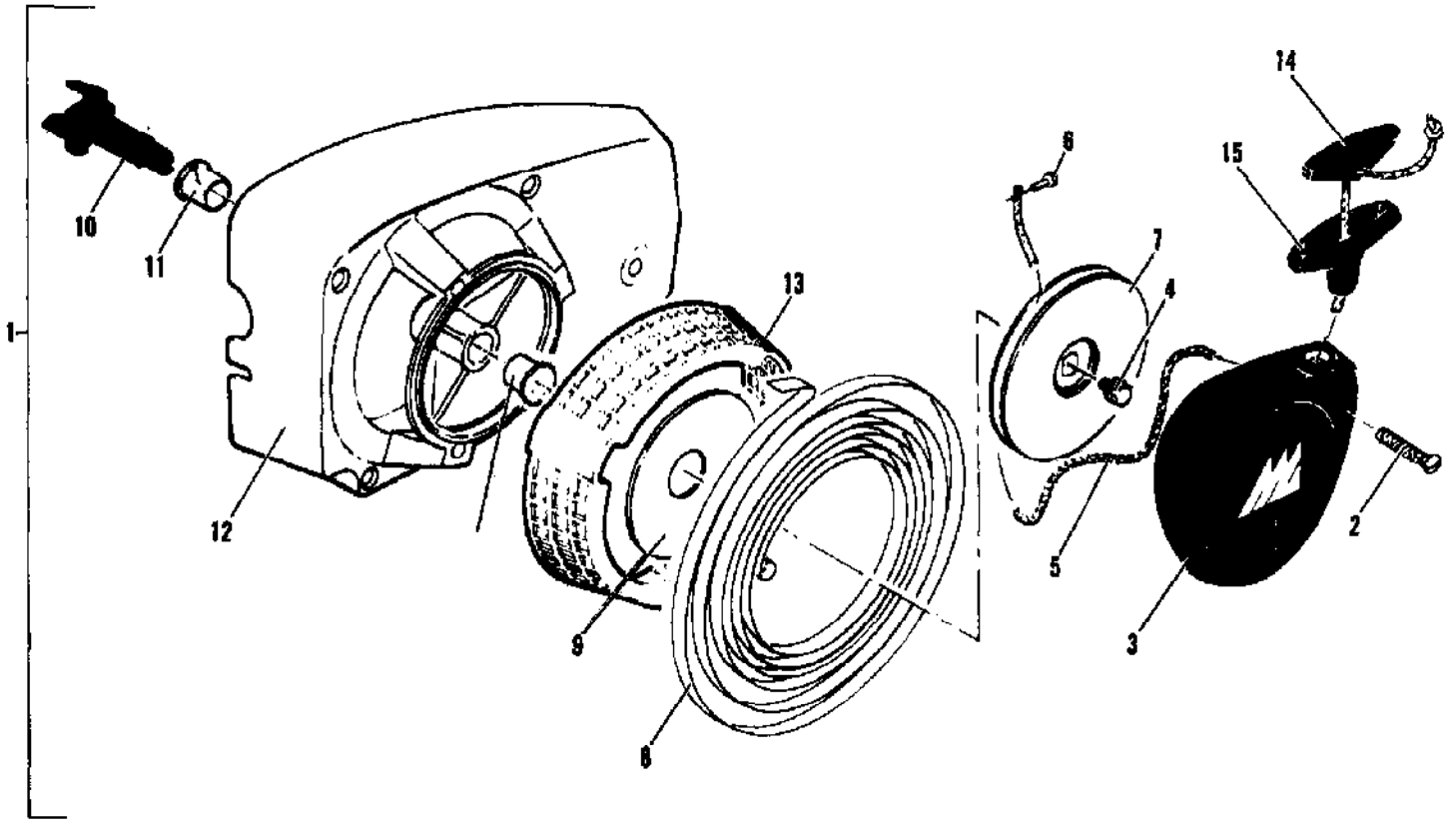
Ref #	Part Number	Qty	Description
	89979-12		Chain - 20" SPR GX 71 CL
	219132		File Plate
	219161		File - Size - 7/32
	88173-12		Chain - 20" PM 370 GX 71 CL
	219132		File Plate
	219161		File - Size - 7/32
	218069-12		Chain - 20" PMR 370 GLX 71 CL
	219132		File Plate
	219161		File - Size - 7/32
	218552-12		Chain - 20" SPG 320 GLX 79 CL
	219130		File Plate
	98023		File - Size - 11/64
	89981-12		Chain - 24" SPR 370 GX 81 CL
	219132		File Plate
	219161		File - Size - 7/32
	88175-12		Chain - 24" PM 370 GX 81 CL
	219132		File Plate
	219161		File - Size - 7/32
	218070-12		Chain - 24" PMR 370 GLX 81 CL
	219132		File Plate
	219161		File - Size - 7/32
	89982-12		Chain - 24" SPR 370 GX 82 CL
	219132		File Plate
	219161		File - Size - 7/32
	93551-12		Chain - 24" PM 370 GX 82 CL
	219132		File Plate
	219161		File - Size - 7/32
	89984-12		Chain - 28" SPR 370 GX 92 CL
	219132		File Plate
	219161		File - Size - 7/32
	93552-12		Chain - 28" PM 370 GX 93 CL
	219132		File Plate
	219161		File - Size - 7/32
	92101-12		Chain - 33" SPR 370 GX 106 CL
	219132		File Plate
	219161		File - Size - 7/32



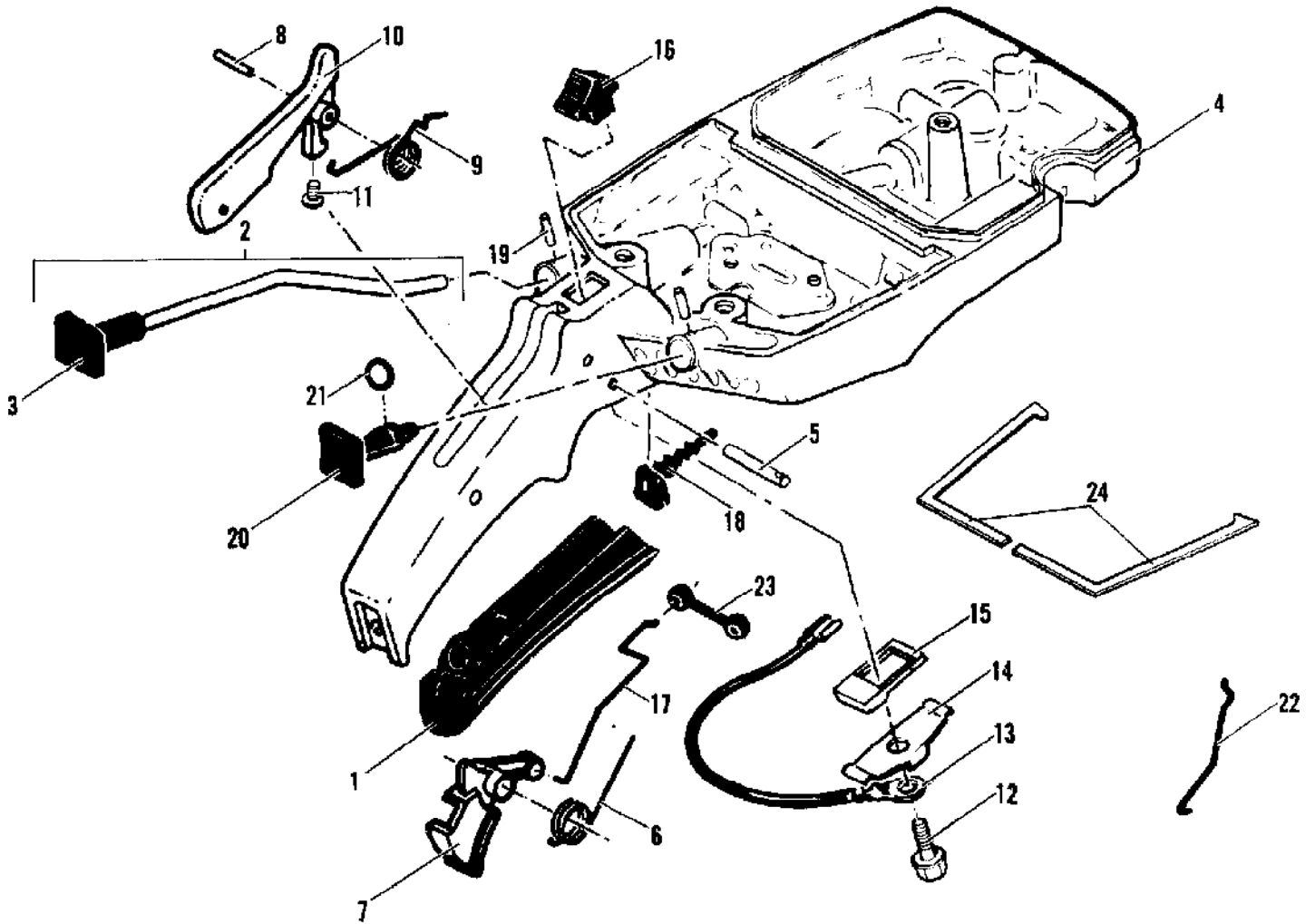
Ref #	Part Number	Qty	Description
	87666	1	Carburetor Asy. (SDC 44) Dealer stocked. Fast to medium moving part.
1		1	Screw - Pump Cover Not available separately. Not available separately.
2		4	Cover - Pump Not available separately.
3		1	Gasket - Cover Not available separately.
4		1	Diaphragm - Check Valve Not available separately.
5		1	Diaphragm - Fuel Pump Not available separately.
6		3	Screw - Plate Not available separately.
7		1	Plate - Throttle Not available separately.
8		1	Clip - Shaft Not available separately.
9		1	Shaft Asy - Throttle Not available separately.
10		1	Plate - Choke Not available separately.
11		1	Shaft Asy - Choke Not available separately.
12		1	Ball - Choke Friction Not available separately.
13		1	Spring - Choke Not available separately.
14		1	Needle - High Speed Not available separately.
15		1	Needle - Idle Not available separately.
16		2	Spring - Needle Not available separately.
17		4	Screw - Diaphragm Cover Not available separately.
18		1	Cover - Diaphragm Not available separately.
19		1	Diaphragm - Metering Not available separately.
20		1	Gasket - Diaphragm Not available separately.
21		1	Screw - Lever Pin Not available separately.
22		1	Pin - Lever Not available separately.
23		1	Lever - Metering Not available separately.
24		1	Spring - Lever Not available separately.
25		1	Valve - Needle Not available separately.
26		1	Plug 3/8 Not available separately.
27			Plug 5/16 Not available separately.
28		1	Screen - Fuel Not available separately.
29	83758	1	Kit, Valve & Seat Asy.
	217080		Major Repair Kit
	216736		Gasket/Diaphragm Kit



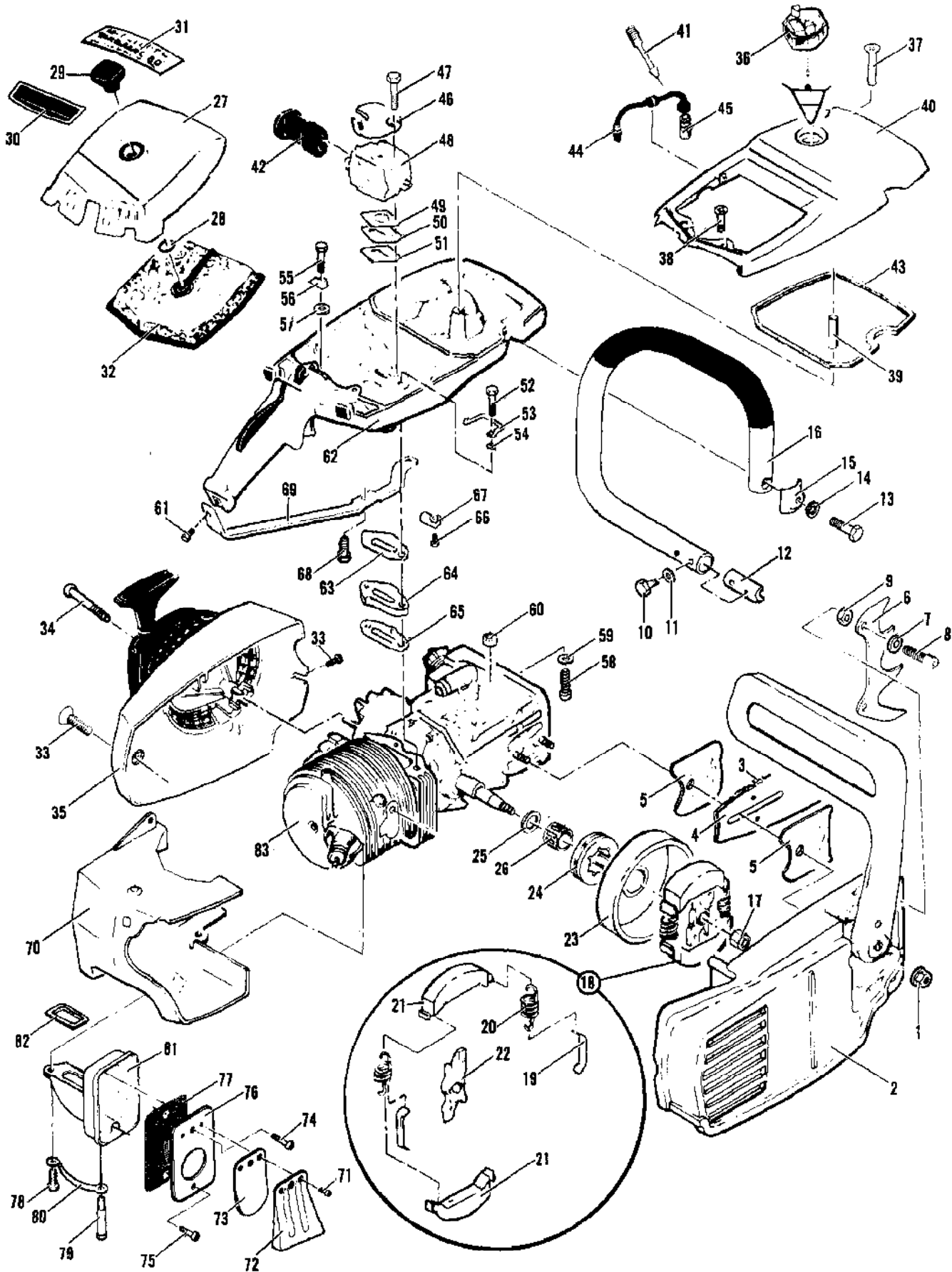
Ref #	Part Number	Qty	Description
1	217694	1	Chain Brake Assembly
2	216634	1	Screw - Pn Hd 10-24 x .50
3	216633	1	Washer - Plain .210 I.D.
4	215911	1	Lever Assembly
5	214366	1	Pin Asy - Roller
6	93085	1	Spring - Brake
7	222478	1	Kit Latch - Pivot
8		1	Latch Not available separately. If replacement of either pivot or latch is necessary, you MUST order P/N 222478 (item 7) and replace both.
9		1	Pivot - Latch Not available separately. If replacement of either pivot or latch is necessary, you MUST order P/N 222478 (item 7) and replace both.
10	93081	1	Band - Brake
11	93082	1	Pin - Band Anchor
12		1	Housing, Brake Not available separately.
13	216636	1	Screw - Fil 10-24 x 2.75
14	110582	1	Washer - #10
15	61705	1	Nut - Blade Adjust
16	100002	1	Washer - #10 Plain
17	102067	1	Nut - Hx Lock 10-24
18	91246	1	Pin - Lever Pivot
19	91245	1	Washer - Thrust



Ref #	Part Number	Qty	Description
1	216050	1	Fan Housing/Starter Asy
2	216623	3	Screw - Oval 8-32 x 1.12
3	91084	1	Cover - Starter
4	217936	1	Screw - Hx 10-24 x .50 Tor.
5	68162	1	Rope - Starter
6	110470	1	Rivet - Rope
7	85122	1	Drum Asy - Starter
8	87680	1	Pkg., Spring - Starter Rewind
9	86053	1	Shield - Starter Spring
10	83748	1	Shaft - Starter
11	57535	2	Bushing - Starter
12	223953	1	Kit Housing - Fan/Guard
13	214192	1	Guard - Sawdust
14	214699	1	Insert - Handle
15	93137	1	Handle - Starter



Ref #	Part Number	Qty	Description
1	89320	1	Insert - Handle Grip
2	216126	1	Button & Rod Assembly
3	95615	1	Button - Oiler
4	216127	1	Tank Asy - Fuel
5	110378	1	Pin - Roll .196 x .937
6	92152	1	Spring Trigger
7	214679	1	Trigger - Throttle
8	105654	1	Pin - Roll .131 x .875
9	92154	1	Spring - Trigger Release
10	94275	1	Release Asy - Trigger
11	111012	1	Screw - Pn 4-40 x .31 ST
12	110706	1	Screw - Pn 8-18 x .50 ST
13	214692	1	Wire Asy - Switch
14	62451	1	Contact - Ign, Switch
15	214691	1	Base - Stop Switch
16	68846	1	Button - Stop Switch
17	85107	1	Rod - Throttle
18	214701	1	Seal Throttle Rod
19	105673	2	Pin Roll .099 x .562
20	69041	1	Button Choke
21	105614	1	"O" Ring .239 x .070
22	69042	1	Rod Choke
23	69043	1	Snubber
24	219280	1	Kit, Gasket (L.H.& R.H.)



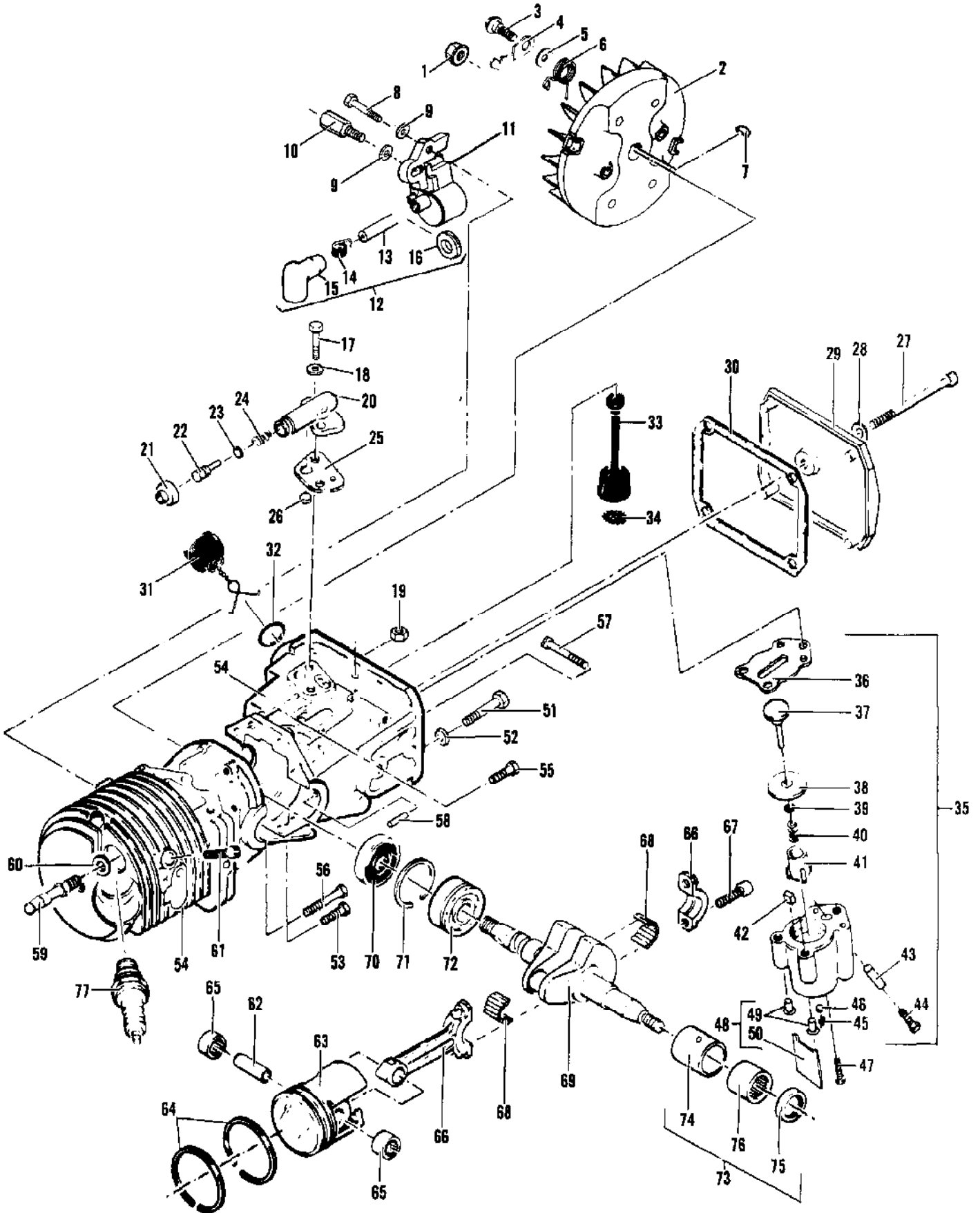
Ref #	Part Number	Qty	Description
1	216640	2	Nut - Flange 5/16-24
2		1	Chain Brake See "Chain Brake" illustration and parts list.
3		1	Chain Assembly See "Bar/Chain/Sharpening Tools" illustration and parts list.
4		1	Bar Assembly See "Bar/Chain/Sharpening Tools" illustration and parts list.
5	64325	2	Plate - Bar Guide
6	93668	1	Spike
7	216683	2	Washer - Spec. #10
8	213042	2	Screw - Skt 10-24 x .62
9	216682	2	Nut - Hx Lock 10-24
10	216677	2	Screw - Hx 10-24 x .875 SL
11	100352	2	Washer - #10 Plain
12	89727	1	Retainer - Frame
13	216638	1	Screw - Hx Hd 1/4-20 x 1.50
14	100153	1	Washer - Lock .250
15	216639	1	Clamp - Frame
16	214549	1	Frame & Grip Assembly
17	223060	1	Nut - Hx (L.H.)
18	214301	1	Clutch Assembly
19	64583	2	Retainer - Spring
20	83223	2	Spring - Clutch
21	67233	1	Kit - Clutch Shoe
22	214300	1	Rotor - Clutch
23	95185	1	Drum & Spkt Asy. 77 (.375)
24	86961	1	Sprocket - 7T (.375P)
25	86958	1	Washer - Shim
26	110971	1	Bearing - Needle
27	91543	1	Cover Asy - Air Cleaner
28	110565	1	Ring - Retaining
29	68529	1	Knob - Cover
30		1	Plate - Name Not available separately.
31	216054	1	Label - Logo
32	216685	1	Filter - Air
33	110741	2	Screw - Pn Hd 10-24 x .50
34	87871	3	Screw - Fan Housing
35		1	Fan Housing/Starter Asy. See "Fan Housing/Starter Assembly" illustration and parts list.
36	216053	1	Cap Asy - Fuel W/Retainer
37	216678	1	Screw - Oval Hd 12-24 x 2.375
38	101986	2	Screw - Oval Hd 10-24 x 1
39	87840	1	Spacer - Fuel Tank Cover
40	87677	1	Cover - Fuel Tank
41	87932	1	Screw - Idle Adjustment
42	87665	1	Boot - Carb. Adjust.
43	69345	1	Gasket - Fuel Tank Cover
44	215708	1	Hose Asy Fuel
45	215714	1	Pickup Asy - Fuel
46	69952	1	Bracket - Air Cleaner
47	103357	2	Bolt - Hx Hd 10-24 x 2.25
48		1	Carburetor Assembly See "Carburetor Assembly" illustration and parts list.

Ref #	Part Number	Qty	Description
49	86189	1	Gasket - Carburetor
50	84078	1	Spacer - Carburetor
51	84081	1	Gasket - Carb Spacer
52	110567	2	Screw Hx Hd 12-24 x 1.25
53	68582	1	Plate - Lock
54	102115	2	Washer - Plain .254 x .033
55	110568	1	Screw - Hx Hd 12-24 x 1.12
56	69516	1	Plate - Lock
57	100352	1	Washer - #10 Plain
58	110713	1	Screw - Skt Hd 10-24 x .88
59	100003	1	Washer - #10 Plain
60	69772	1	Spacer Fuel Tank
61	216632	1	Screw Pn Hd 10-24 x 1.25
62		1	Fuel Tank Assembly See "Fuel Tank Assembly" illustration and parts list.
63	84082	1	Gasket Fuel Tank
64	84080	1	Insulator - Fuel Tank
65	68594	1	Gasket Fuel Tank
66	216679	1	Screw Hx Hd 10-24 x .625
67	68508	1	Plate - Lock
68	216679	1	Screw - Hx Hd 10-24 x .625
69	85007	1	Brace - Frame
70	214702	1	Shroud - Cylinder
71	110563	2	Screw - Skt Hd 8-32 x .25
72	92996-01	1	Stop Reed
73	85585-01	1	Valve - Reed
74	101563	1	Screw - Skt Hd 10-24 x 1.25
75	110439	1	Screw - Skt Hd 10-24 x 1.00
76	92995	1	Cover - Spark Arrestor
77	92993	1	Baffle - Screen Arrestor
78	110529	1	Screw - Hx Hd 10-24 x .50
79	68187	1	Screw - Hx 10-24 x 1.38
80	67922	1	Plate - Lock
81	92989	1	Body/Duct Asy. S/A
82	84007	1	Gasket - Muffler
83		1	Powerhead Assembly See "Powerhead Assembly" illustration and parts list.

No
Diagram
Available

Parts List
Only

Ref #	Part Number	Qty	Description
	322235		LOCTITE KIT
	322236		RETAINING COMPOUND 620 (10 ml)
	322237		THREAD LOCKER 242 (10 ml)
	322238		GASKET ELIMINATOR 518 (50 ml)
	322239		BLACK MAX ADHESIVE 380 (01 oz)



Ref #	Part Number	Qty	Description
1	110703	1	Nut - Hx 3/8-24
2	216739	1	Flywheel Assembly
3	93464	2	Screw - Pawl Pivot
4	93198	2	Pawl - Starter
5	93469	2	Washer - Starter Pawl
6	214102	2	Spring - Starter Pawl
7	100106	1	Key - Woodruff
8	110127	1	Screw - Hx 10-24 x .88 Sems
9	223637	2	Spacer, .21D x .44D x .12
10	83512	1	Stud - Special
11	223708	1	Kit, Ignition Assembly
12	223884	1	Kit, Spark Plug Wire
13		1	Wire - 7mm Ignition Not available separately.
14	102556	1	Connector, Spark Plug
15	95266	1	Boot, Spark Plug
16	110995	1	Grommet, Spark Plug Wire
	215533	1	Grommet, H/T Lead
17	110338	2	Screw - Hx 8-32 x .532
18	110613	2	Washer - #8 Hard
19	100955	1	Nut - Hx Lock 8-32
20	84156	1	Housing - Oil Pump
21	215151	1	Cap - Oil Pump
22	62266	1	Plunger - Oil Pump
23	105614	1	"O" Ring .239 x .070
24	66687	1	Spring - Plunger
25	91669	1	Gasket - Oil Pump Hsg.
26	91668	1	Valve - Oiler
27	110291	1	Screw - Pn 10-24 x 2.62
28	110921	1	Washer - Sealing
29	218707	1	Cover - Oil Tank
30	86306	1	Gasket - Cover Oil Tank
31	216052	1	Cap Asy - Oil
32	101148	1	O-Ring .75 ID x .09
33	91672	1	Hose Asy - Oil Pickup
34	51506	1	Screen - Oil Intake
35	215339	1	Kit - Pump Tested
36	92874	1	Seal - Pulse Pump
37	214278	1	Piston Asy - Oiler
38	86182	1	Ring - Piston Pulse Oiler
39	105603	1	O-Ring .114 x .070
40	60259	1	Spring - Piston
41	62227	1	Sleeve - Adjustment
42	91259	1	Pad - Pump
43	91774	1	Sleeve - Pulse Pump Body
44	217936	1	Screw - Hx 10-24 x .875 SL
45		1	Spring - Outlet Valve Not available separately.
46		1	Ball Not available separately.
47	110963	1	Screw - Hx 8-32 x 1.00 WSH
48	215246	1	Kit, Oil Pump Retainer
49		2	Eyelets Not available separately.
50		1	Clip - Sealing Not available separately.
51	62106	4	Screw - Wsh 12-24 x 1.75
52	111025	4	Washer - Sealing Alum.
53	110288	1	Screw - Hx 8-32 x .75
54	214671	1	Cylinder/C'Case Asy.

Ref #	Part Number	Qty	Description
55	110288	2	Screw - Hx 8-32 x .75
56	110618	1	Screw - Hx 8-32 x 1.37 Wsh
57	62065	2	Bolt - Bar Mounting
58	110851	1	Pin - Dowel
59	94273	1	Valve - Comp. Release
60	214765	1	Washer - Valve
61	110681	1	Screw - Skt 10-24 x .25
62	69020	1	Pin - Piston
63	85239	1	Piston Assembly
64	89732	1	Set - Piston Ring
65	111021	2	Bearing - Needle
66	85352	1	Rod Assembly - Connecting
67	61627-01	2	Screw - Connecting Rod
68	63225	1	Roller - Needle (Set of 20)
69	216909	1	Crankshaft Assembly
70	61618	1	Seal - Oil
71	63464	1	Ring - Snap
72	63429-02	1	Bearing - Ball
73	87151	1	Insert - Bearing Asy Needle
74		1	Insert - Bearing Not available separately.
75	110260	1	Seal - Oil
76	104357	1	Bearing - Needle
77	62345	1	Spark Plug