

No
Diagram
Available

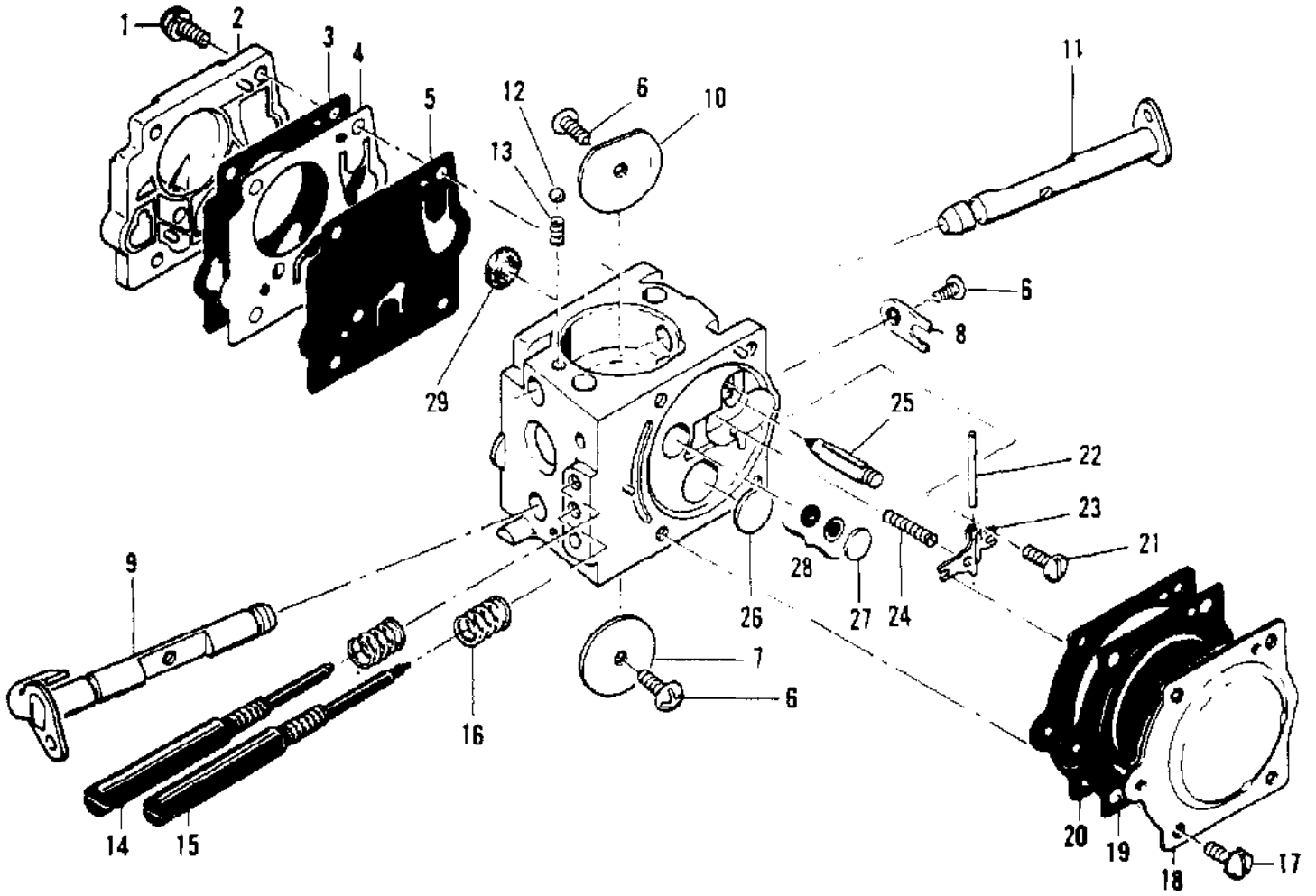
Parts List
Only

| Ref # | Part Number | Qty | Description |
|-------|-------------|-----|-----------------------------|
| | 216058 | | Key - Socket - 9/64 |
| | 216063 | | Key - Socket - 5/32 |
| | 84453 | | Kit - Piston Tool |
| | 69191 | | Kit - Pressure Test Adaptor |
| | 214223 | | Spark Plug (Standard) |
| | 63432 | | Spark Plug (Cooler) |
| | 62827 | | Wrench/Screwdriver |
| | 214221 | | Scrench |
| | 91226 | | Wrench - Clutch/Flywheel |
| | 86419 | | Guide - Timing |
| | 92993 | | Spark Arrester Screen |

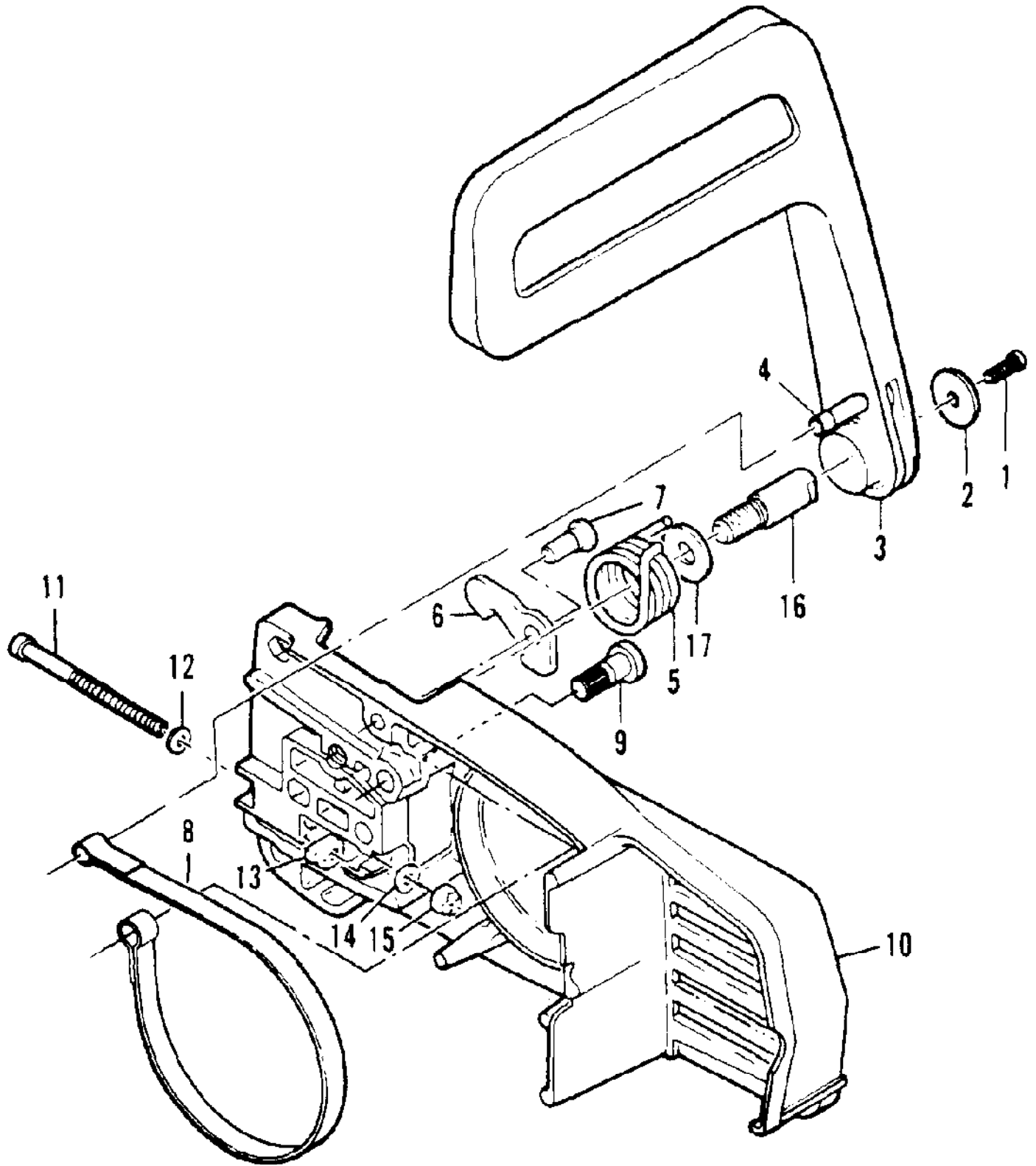
No
Diagram
Available

Parts List
Only

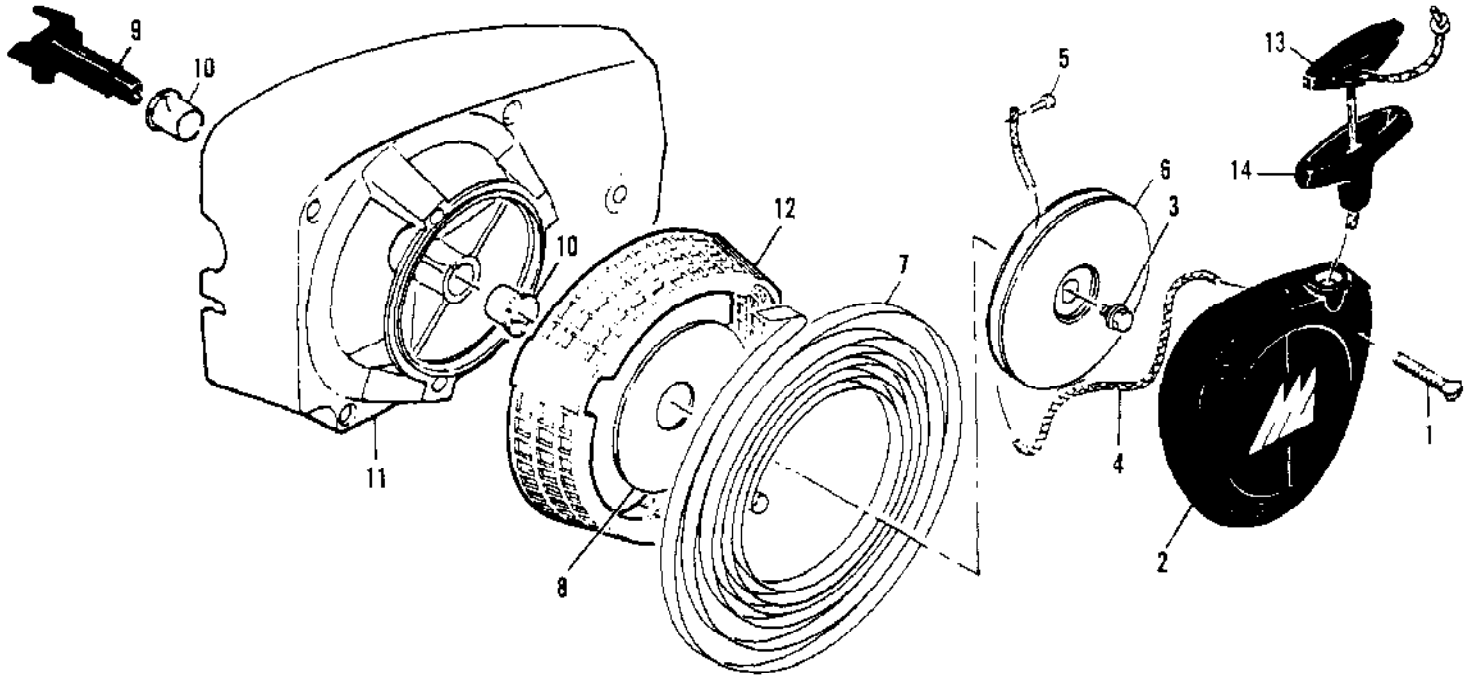
| Ref # | Part Number | Qty | Description |
|-------|-------------|-----|--------------------------------|
| | 94074 | | 16" Speed Mac Bar |
| | 89502 | | 16" Mac 10 Bar |
| | 93778 | | 20" Speed Mac Bar |
| | 89503 | | 20" Mac 10 Bar |
| | 86846 | | 24" Speed Mac Bar |
| | 89504 | | 24" Mac 10 Bar |
| | 86847 | | 28" Speed Mac Bar |
| | 89505 | | 28" Mac 10 Bar |
| | 88167-12 | | 16" PM370GX 60 C.L. Chain |
| | 89974-12 | | 16" SPR370GX 60 C.L. Chain |
| | 88173-12 | | 20" PM370GX 71 C.L. Chain |
| | 89979-12 | | 20" SPR370GX 71 C.L. Chain |
| | 88175-12 | | 24" PM370GX 81 C.L. Chain |
| | 89981-12 | | 24" SPR370GX 81 C.L. Chain |
| | 93552-12 | | 28" PM370GX 93 C.L. Chain |
| | 89984-12 | | 28" SPR370GX 93 C.L. Chain |
| | 218739 | | File Plate No. |
| | 218738 | | File Plate No. |
| | 56698-23 | | 7/32 Round File No. 1 Doz. Pak |
| | 219161 | | 7/32 Round File No. Twin Pak |



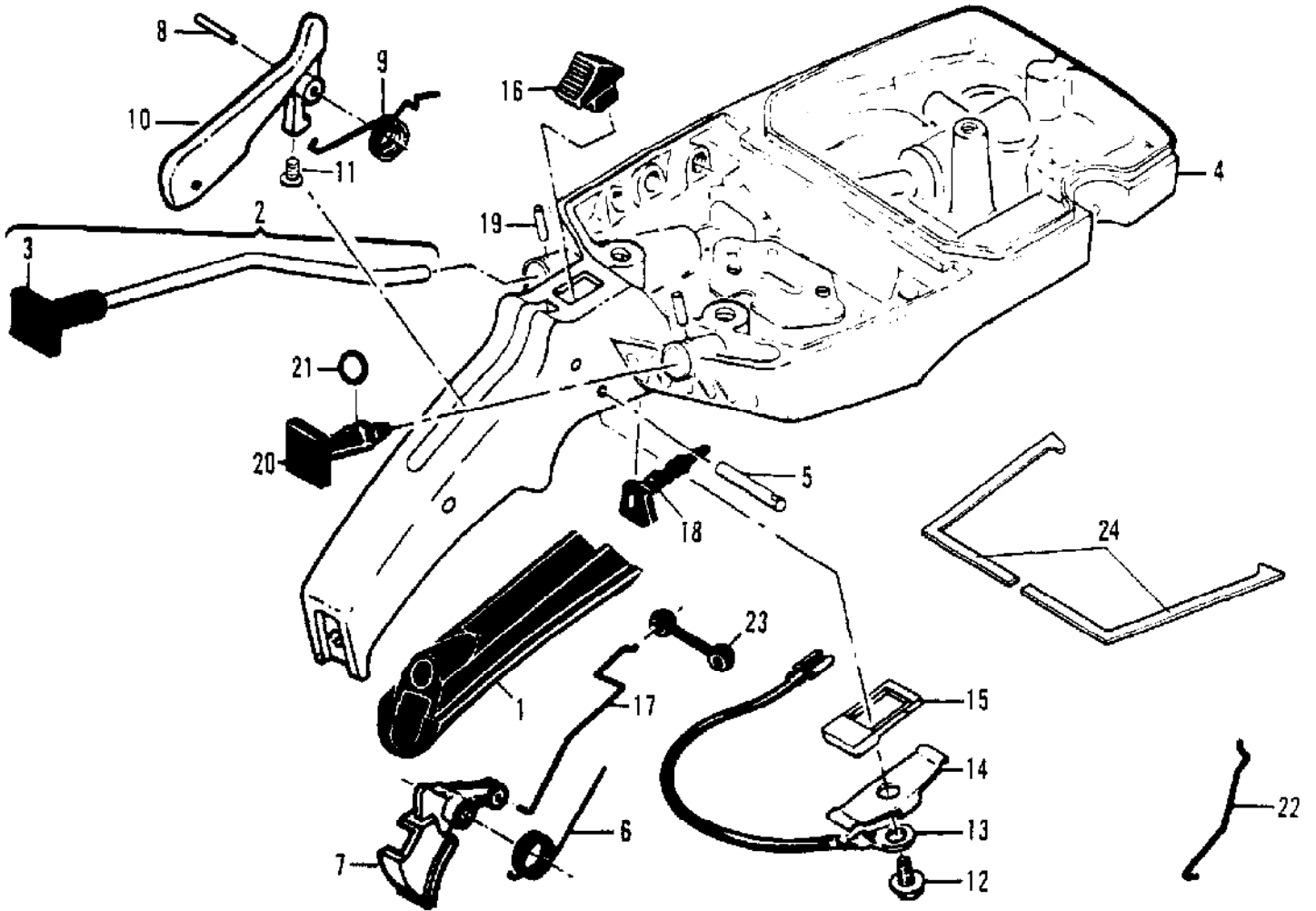
| Ref # | Part Number | Qty | Description |
|-------|-------------|-----|---|
| | 87666 | 1 | CARBURETOR ASY (WALBRO) |
| 1 | | 1 | Screw - Pump Cover Not available separately. |
| 2 | | 4 | Cover - Pump Not available separately. |
| 3 | | 1 | Gasket - Cover Not available separately. |
| 4 | | 1 | Diaphragm - Check Valve Not available separately. |
| 5 | | 1 | Diaphragm - Fuel Pump Not available separately. |
| 6 | | 3 | Screw - Plate Not available separately. |
| 7 | | 1 | Plate - Throttle Not available separately. |
| 8 | | 1 | Clip - Shaft Not available separately. |
| 9 | | 1 | Shaft Asy - Throttle Not available separately. |
| 10 | | 1 | Plate - Choke Not available separately. |
| 11 | | 1 | Shaft Asy - Choke Not available separately. |
| 12 | | 1 | Ball - Choke Friction Not available separately. |
| 13 | | 1 | Spring - Choke Not available separately. |
| 14 | | 1 | Needle - High Speed Not available separately. |
| 15 | | 1 | Needle - Idle Not available separately. |
| 16 | | 2 | Spring - Needle Not available separately. |
| 17 | | 4 | Screw - Diaphragm Cover Not available separately. |
| 18 | | 1 | Cover - Diaphragm Not available separately. |
| 19 | | 1 | Diaphragm - Metering Not available separately. |
| 20 | | 1 | Gasket - Diaphragm Not available separately. |
| 21 | | 1 | Screw - Lever Pin Not available separately. |
| 22 | | 1 | Pin - Lever Not available separately. |
| 23 | | 1 | Lever - Metering Not available separately. |
| 24 | | 1 | Spring - Lever Not available separately. |
| 25 | | 1 | Valve - Needle Not available separately. |
| 26 | | 1 | Plug - 3/8 Not available separately. |
| 27 | | 1 | Plug - 5/16 Not available separately. |
| 28 | | 1 | Kit - Valve & Seat Asy Not available separately. |
| 29 | | 1 | Screen - Fuel Not available separately. |
| | 217080 | | Major Repair Kit |
| | 217078 | | Gasket/Diaphragm Kit |



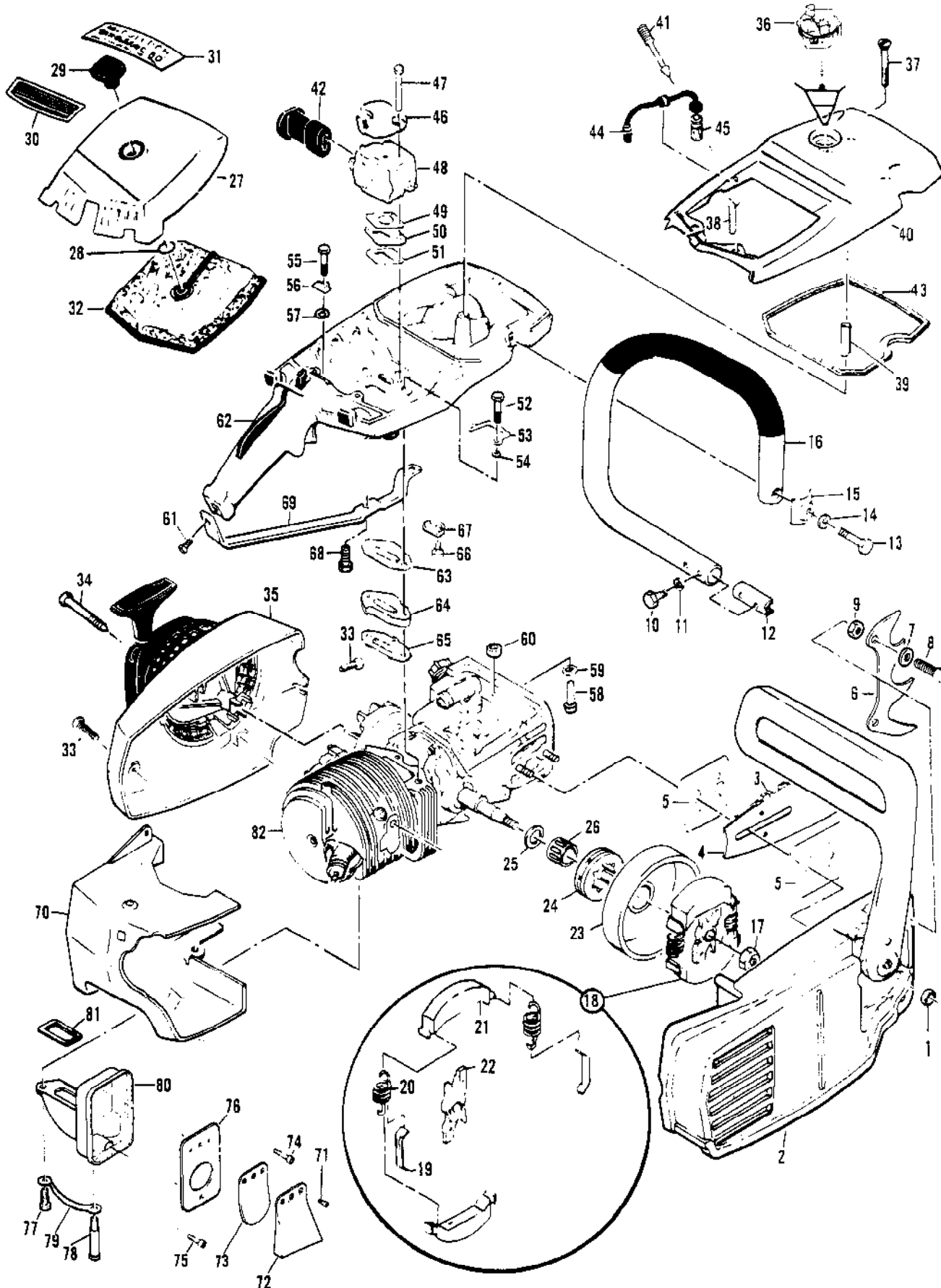
| Ref # | Part Number | Qty | Description |
|-------|-------------|-----|------------------------------|
| | 217694 | 1 | CHAIN BRAKE Asy |
| 1 | 216634 | 1 | Screw - Pan Hd 10-24 x 1/2 |
| 2 | 216633 | 1 | Washer - Special |
| 3 | 215911 | 1 | Lever Asy |
| 4 | 214366 | 1 | Pin Asy - Roller |
| 5 | 93085 | 1 | Spring - Brake |
| 6 | 217235 | 1 | Latch |
| 7 | 93669 | 1 | Pivot - Latch |
| 8 | 93081 | 1 | Band - Brake |
| 9 | 93082 | 1 | Pin - Band Anchor |
| 10 | 216771 | 1 | Housing Asy - Brake |
| 11 | 216636 | 1 | Screw - Fil Hd 10-24 x 2-3/4 |
| 12 | 110582 | 1 | Washer - #10 |
| 13 | 61705 | 1 | Nut - Bar Adjusting |
| 14 | 100002 | 1 | Washer - #10 |
| 15 | 102067 | 1 | Nut - Hx 10-24 |
| 16 | 91246 | 1 | Pin - Lever Pivot |
| 17 | 91245 | 1 | Washer - Thrust |



| Ref # | Part Number | Qty | Description |
|-------|-------------|-----|------------------------------|
| | 216050 | 1 | FAN HOUSING/STARTER ASY |
| 1 | 110646 | 3 | Screw - Oval Hd 8-32 x 1-1/8 |
| 2 | 91084 | 1 | Cover - Starter |
| 3 | 110928 | 1 | Screw - Hx Hd 10-24 x 1/2 |
| 4 | 68162 | 1 | Rope - Starter |
| 5 | 110470 | 1 | Rivet - Rope |
| 6 | 83959 | 1 | Drum - Starter |
| 7 | 87680 | 1 | Spring - Rewind |
| 8 | 86053 | 1 | Shield - Spring |
| 9 | 83748 | 1 | Shaft - Starter |
| 10 | 57535 | 2 | Bushing - Starter |
| 11 | 216051 | 1 | Housing - Fan |
| 12 | 214192 | 1 | Guard - Sawdust |
| 13 | 214699 | 1 | Insert - Handle |
| 14 | 93137 | 1 | Handle - Starter |

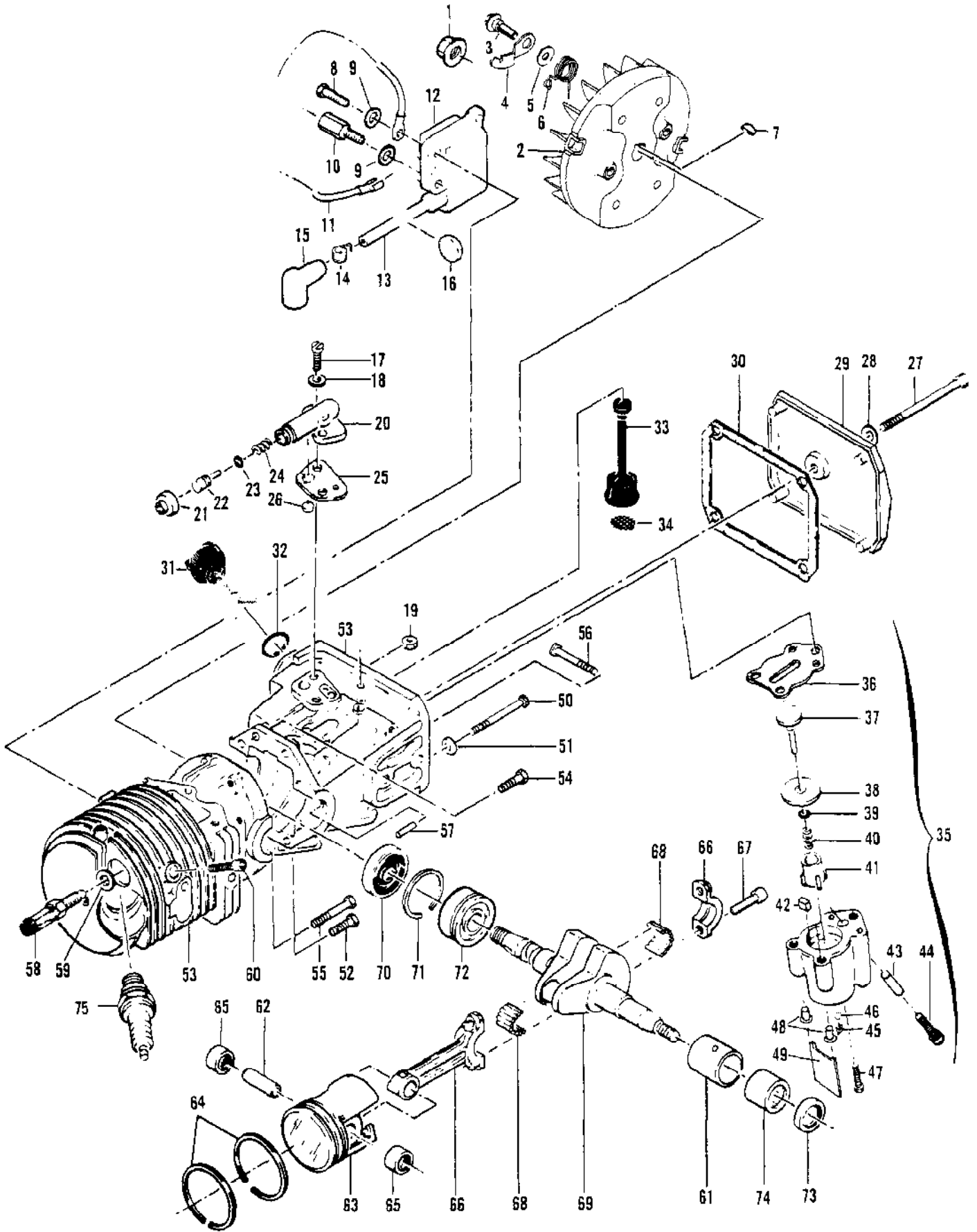


| Ref # | Part Number | Qty | Description |
|-------|-------------|-----|-------------------------------|
| 1 | 89320 | 1 | Insert - Handle Grip |
| 2 | 216126 | 1 | Button & Rod Assembly |
| 3 | 95615 | 1 | Button - Oiler |
| 4 | 216127 | 1 | Kit - Fuel Tank/Control |
| 5 | 110378 | 1 | Pin - Roll 3/16 x 15/16 |
| 6 | 92152 | 1 | Spring - Trigger |
| 7 | 214679 | 1 | Trigger - Throttle |
| 8 | 105654 | 1 | Pin - Roll 1/8 x 7/8 |
| 9 | 92154 | 1 | Spring - Trigger Release |
| 10 | 214680 | 1 | Release Asy - Trigger |
| 11 | 111012 | 1 | Screw - Pn Hd 4-40 x 5/16 |
| 12 | 110706 | 1 | Screw - Pn Hd 8-18 x 1/2 |
| 13 | 214692 | 1 | Wire Asy - Stop Switch |
| 14 | 62451 | 1 | Control - Switch |
| 15 | 214691 | 1 | Base - Switch |
| 16 | 68846 | 1 | Button - Switch |
| 17 | 85107 | 1 | Rod - Throttle |
| 18 | 214701 | 1 | Seal - Throttle Rod |
| 19 | 105673 | 2 | Pin - Roll 3/32 x 9/16 |
| 20 | 69041 | 1 | Button - Choke |
| 21 | 105614 | 1 | "O" Ring |
| 22 | 69042 | 1 | Rod - Choke |
| 23 | 69043 | 1 | Snubber - Rod |
| 24 | 219280 | 1 | Set - Gaskets (L.H. and R.H.) |



| Ref # | Part Number | Qty | Description |
|-------|-------------|-----|---|
| 1 | 216640 | 2 | Nut - Hx 5/16-24 |
| 2 | | 1 | CHAIN BRAKE See "Chain Brake Assembly" illustration and parts list. |
| 3 | | 1 | Chain Assembly See "Bar/Chain/Chain Sharpening Tools" parts list. |
| 4 | | 1 | Bar Assembly See "Bar/Chain/Chain Sharpening Tools" parts list. |
| 5 | 64330 | 1 | Set - Bar Plates (2) |
| 6 | 93668 | 1 | Spike |
| 7 | 216683 | 2 | Washer - Special |
| 8 | 213042 | 2 | Screw - Skt Hd 10-24 x 5/8 |
| 9 | 216682 | 2 | Nut - Hx Lock 10-24 |
| 10 | 216677 | 2 | Screw - Hx Hd 10-24 x 7/8 |
| 11 | 100352 | 2 | Washer - #10 |
| 12 | 89727 | 1 | Retainer - Frame |
| 13 | 216638 | 1 | Screw - Hx Hd 1/4-20 x 1-1/2 |
| 14 | 100153 | 1 | Washer - Lock 1/4 |
| 15 | 216639 | 1 | Clamp - Frame |
| 16 | 214549 | 1 | Frame & Grip Assembly |
| 17 | 86113 | 1 | Nut - Hx 3/8-24 (L.H.) |
| 18 | 214301 | 1 | Clutch Assembly |
| 19 | 64583 | 2 | Retainer - Spring |
| 20 | 83223 | 2 | Spring - Clutch |
| 21 | 67233 | 1 | Kit - Clutch Shoe |
| 22 | 214300 | 1 | Rotor - Clutch |
| 23 | 95165 | 1 | Drum & Sprocket Asy 7T .375P |
| 24 | 86951 | 1 | Sprocket - 77 .375P |
| 25 | 86958 | 1 | Washer - Sprocket |
| 26 | 110971 | 1 | Bearing - Sprocket |
| 27 | 91543 | 1 | Cover Asy - Air Cleaner |
| 28 | 110565 | 1 | Ring - Retaining |
| 29 | 68529 | 1 | Knob - Cover |
| 30 | 216138 | 1 | Plate - Name |
| 31 | 216054 | 1 | Plate - Instruction |
| 32 | 69922 | 1 | Filter - Air |
| 33 | 110741 | 2 | Screw - Pan Hd 10-24 x 1/2 |
| 34 | 87871 | 3 | Screw - Special |
| 35 | | 1 | Fan Housing/Starter Asy See "Fan Housing/Starter Assembly" illustration and parts list. |
| 36 | 216053 | 1 | Cap Asy - Fuel W/Retainer |
| 37 | 216678 | 1 | Screw - Oval Hd 10-24 x 2-3/8 |
| 38 | 101986 | 2 | Screw - Oval Hd 10-24 x 1 |
| 39 | 87840 | 1 | Spacer |
| 40 | 88650 | 1 | Cover - Fuel Tank |
| 41 | 87932 | 1 | Screw - Idle Adjustment |
| 42 | 87665 | 1 | Boot - Carburetor Adjustment |
| 43 | 69345 | 1 | Gasket - Cover |
| 44 | 215208 | 1 | Hose Asy - Fuel |
| 45 | 215714 | 1 | Pickup Asy - Fuel |
| 46 | 69952 | 1 | Bracket - Air Cleaner |
| 47 | 103357 | 2 | Bolt - Hx Hd 10-24 x 2-1/4 |
| 48 | | 1 | Carburetor Asy See "Carburetor Assembly" illustration and parts list. |

| Ref # | Part Number | Qty | Description |
|-------|-------------|-----|---|
| 49 | 86189 | 1 | Gasket - Carburetor |
| 50 | 84078 | 1 | Spacer - Carburetor |
| 51 | 84081 | 1 | Gasket - Spacer |
| 52 | 110567 | 2 | Screw - Hx Hd 12-24 x 1-1/4 |
| 53 | 68582 | 1 | Plate - Lock |
| 54 | 102115 | 2 | Washer - #12 |
| 55 | 110568 | 1 | Screw - Hx Hd 12-24 x 1-1/8 |
| 56 | 69516 | 1 | Plate - Lock |
| 57 | 100352 | 1 | Washer - Special |
| 58 | 110713 | 1 | Screw - Skt Hd 10-24 x 7/8 |
| 59 | 100003 | 1 | Washer - #10 |
| 60 | 69772 | 1 | Spacer - Fuel Tank |
| 61 | 216632 | 1 | Screw - Pn Hd 10-24 x 1-1/4 |
| 62 | | 1 | Fuel Tank Asy See "Fuel Tank Assembly" illustration and parts list. |
| 63 | 84082 | 1 | Gasket - Fuel Tank |
| 64 | 84080 | 1 | Insulator - Fuel Tank |
| 65 | 68594 | 1 | Gasket - Insulator |
| 66 | 216679 | 1 | Screw - Hx Hd 10-24 x 5/8 |
| 67 | 68508 | 1 | Plate - lock |
| 68 | 216679 | 1 | Screw - Hx Hd 10-24 x 5/8 |
| 69 | 85007 | 1 | Brace - Handle |
| 70 | 214702 | 1 | Shroud |
| 71 | 110563 | 2 | Screw - Skt Hd 8-32 x 1/4 |
| 72 | 92996-01 | 1 | Stop - Reed |
| 73 | 85585-01 | 1 | Valve - Reed |
| 74 | 101563 | 1 | Screw - Skt Hd 10-24 x 1-1/4 |
| 75 | 110439 | 1 | Screw - Skt Hd 10-24 x 1 |
| 76 | 92995 | 1 | Cover - Spark Arrestor |
| 77 | 110529 | 1 | Screw - Hx Hd 10-24 x 1/2 |
| 78 | 68187 | 1 | Screw - Special |
| 79 | 67922 | 1 | Plate - Lock |
| 80 | 92989 | 1 | Body Muffler |
| 81 | 84007 | 1 | Gasket - Muffler |
| 82 | | 1 | Powerhead Asy See "Powerhead Assembly" illustration and parts list. |
| | 215720 | | Bearing Kit |



| Ref # | Part Number | Qty | Description |
|-------|-------------|-----|---|
| 1 | 110703 | 1 | Nut - Hx 3/8-24 |
| 2 | 216739 | 1 | Flywheel Assembly |
| 3 | 93464 | 2 | Screw - Pawl |
| 4 | 93198 | 2 | Pawl - Starter |
| 5 | 93469 | 2 | Washer - Pawl |
| 6 | 214102 | 2 | Spring - Pawl |
| 7 | 100106 | 1 | Key - Woodruff |
| 8 | 110127 | 1 | Screw - Hx Hd 10-24 x 7/8 (Sems) |
| 9 | 100002 | 2 | Washer - #10 |
| 10 | 83512 | 1 | Stud - Special |
| 11 | 84686-01 | 1 | Wire Assembly - Ground |
| 12 | 95553 | 1 | Ignition - Electronic |
| 13 | 95269 | 1 | Wire Asy - Spark Plug |
| 14 | 102556 | 1 | Connector |
| 15 | 95266 | 1 | Boot |
| 16 | 110995 | 1 | Grommet |
| 17 | 110338 | 2 | Screw - Pn Hd 8-32 x 1/2 |
| 18 | 110613 | 2 | Washer - #8 |
| 19 | 100955 | 1 | Nut - Hx 8-32 |
| 20 | 84156 | 1 | Housing - Pump |
| 21 | 215151 | 1 | Cap - Housing |
| 22 | 62266 | 1 | Plunger - Pump |
| 23 | 105614 | 1 | "O" Ring |
| 24 | 66687 | 1 | Spring - Pump |
| 25 | 91669 | 1 | Gasket - Pump |
| 26 | 91668 | 1 | Valve - Pump |
| 27 | 110291 | 1 | Screw - Pn Hd 10-24 x 2-5/8 |
| 28 | 110921 | 1 | Washer - Sealing |
| 29 | 218707 | 1 | Cover - Oil Tank |
| 30 | 86306 | 1 | Gasket - Cover |
| 31 | 216052 | 1 | Cap - Oil Tank |
| 32 | 101148 | 1 | "O" Ring |
| 33 | 91672 | 1 | Hose Assembly - Oil |
| 34 | 51506 | 1 | Screen - Hose |
| 35 | 215339 | 1 | Kit - Pulse Pump |
| 36 | 92874 | 1 | Seal - Pulse Pump |
| 37 | 214278 | 1 | Piston Assembly - Pump |
| 38 | 86182 | 1 | Ring - Piston |
| 39 | 105603 | 1 | "O" Ring |
| 40 | 60259 | 1 | Spring - Piston |
| 41 | 62227 | 1 | Sleeve - Adjustment |
| 42 | 91259 | 1 | Pad - Pump |
| 43 | 91774 | 1 | Sleeve |
| 44 | 216677 | 1 | Screw - Hx Hd 10-24 x 7/8 |
| 45 | | 1 | Spring - Outlet Valve Not available separately. |
| 46 | | 1 | Ball Not available separately. |
| 47 | 110386 | 1 | Screw - Hx Hd 8-32 x 1 |
| 48 | | 2 | Eyelets Not available separately. |
| 49 | | | Clip - Sealing Not available separately. |
| 50 | 62106 | 4 | Screw - Sealing |
| 51 | 111025 | 4 | Washer - Sealing |
| 52 | 110288 | 1 | Screw - Hx Hd 8-32 x 3/4 |
| 53 | 214671 | 1 | Cylinder/C'Case Assembly |
| 54 | 110288 | 2 | Screw - Hx Hd 8-32 x 3/4 |
| 55 | 110618 | 1 | Screw - Hx Hd 8-32 x 1-3/8 |

| Ref # | Part Number | Qty | Description |
|-------|-------------|-----|-----------------------------|
| 56 | 62065 | 2 | Bolt - Bar Mounting |
| 57 | 110851 | 1 | Pin - Dowel |
| 58 | 94273 | 1 | Valve - DSP |
| 59 | 214765 | 1 | Washer - Valve |
| 60 | 110681 | 1 | Screw - Skt Hd 10-24 x 1/4 |
| 61 | 87152 | 1 | Insert - Bearing |
| 62 | 69020 | 1 | Pin - Piston |
| 63 | 85239 | 1 | Piston Assembly |
| 64 | 89732 | 1 | Ring Set - Piston |
| 65 | 111021 | 2 | Bearing - Needle |
| 66 | 85352 | 1 | Rod Assembly - Connecting |
| 67 | 61627-01 | 2 | Screw - Skt Hd Special |
| 68 | 63225 | 1 | Roller - Needle (Set of 20) |
| 69 | 216909 | 1 | Crankshaft Assembly |
| 70 | 61618 | 1 | Seal - Oil |
| 71 | 63464 | 1 | Ring - Snap |
| 72 | 63429-02 | 1 | Bearing - Ball |
| 73 | 110260 | 1 | Seal - Oil |
| 74 | 104357 | 1 | Bearing - Needle |
| 75 | 214223 | 1 | Spark Plug |
| | 215246 | 1 | Kit - Oil Pump Clip |