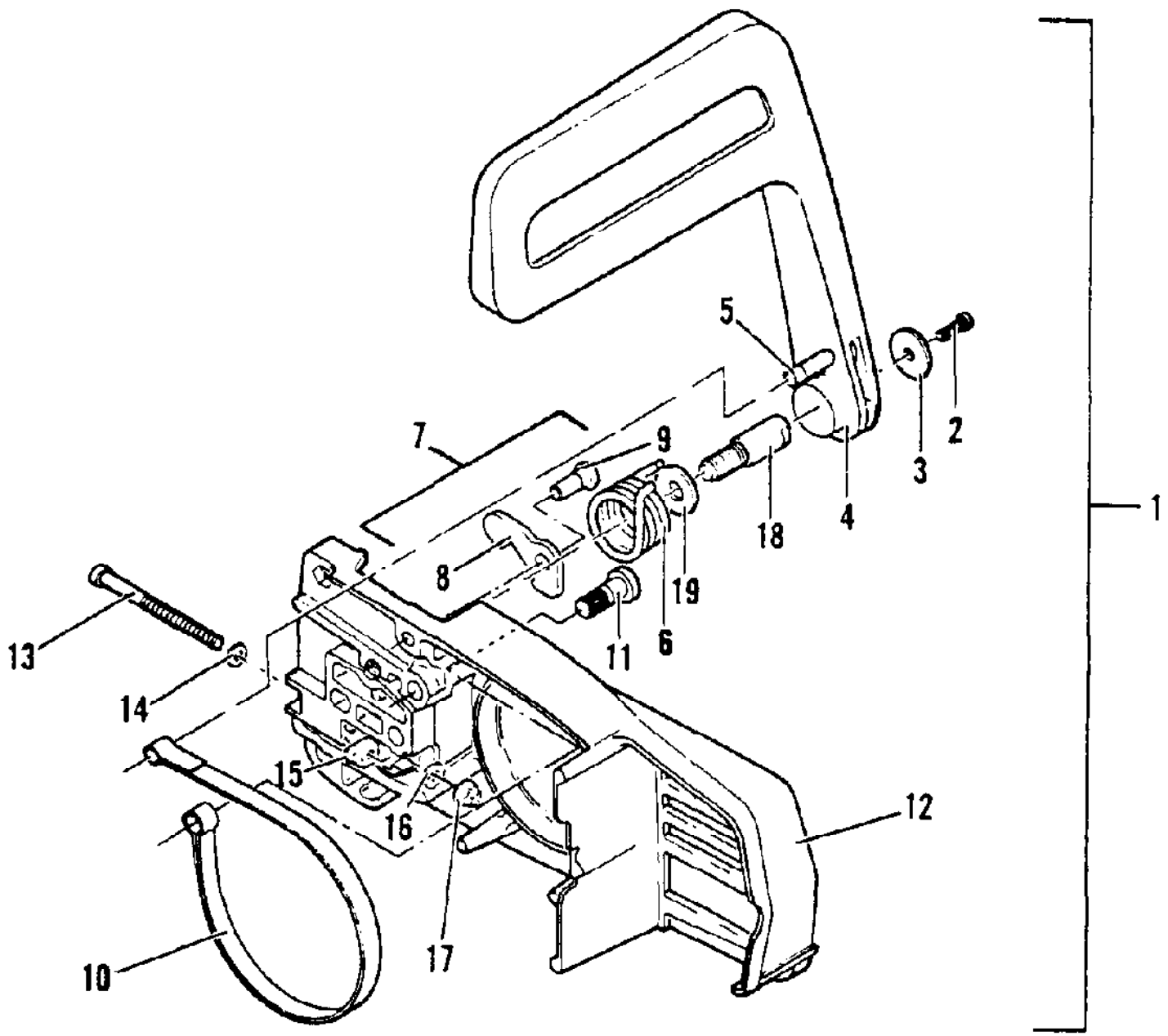
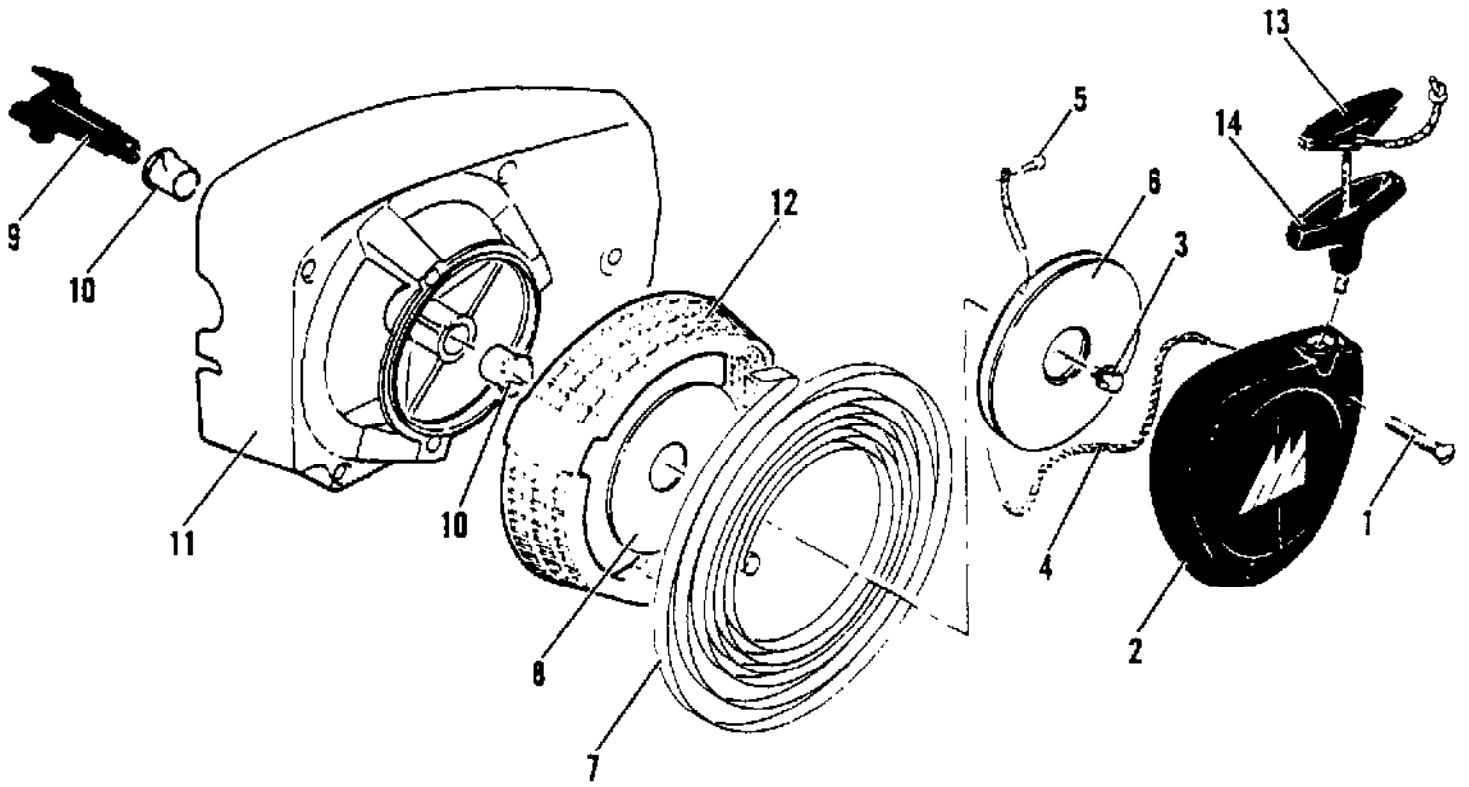


Ref #	Part Number	Qty	Description
	87666	1	Carburetor Asy (SDC 44)
1		4	Screw - Pump Cover Not available separately.
2		1	Cover - Pump Not available separately.
3		1	Gasket - Cover Not available separately.
4		1	Diaphragm - Check Valve Not available separately.
5		1	Diaphragm - Fuel Pump Not available separately.
6		3	Screw - Plate Not available separately.
7		1	Plate - Throttle Not available separately.
8		1	Clip - Shaft Not available separately.
9		1	Shaft Asy Throttle Not available separately.
10		1	Plate - Choke Not available separately.
11		1	Shaft Asy - Choke Not available separately.
12		1	Ball - Choke Friction Not available separately.
13		1	Spring - Choke Not available separately.
14		1	Needle - High Speed Not available separately.
15		1	Needle - Idle Not available separately.
16		2	Spring - Needle Not available separately.
17		4	Screw - Diaphragm Not available separately.
18		1	Cover - Diaphragm Not available separately.
19		1	Diaphragm - Metering Not available separately.
20		1	Gasket - Diaphragm Not available separately.
21		1	Screw - Level Pin Not available separately.
22		1	Pin - Lever Not available separately.
23		1	Lever - Metering Not available separately.
24		1	Spring - Lever Not available separately.
25		1	Valve - Needle Not available separately.
26		1	Plug - 3/8 Not available separately.
27		1	Plug - 5/16 Not available separately.
28		1	Screen - Fuel Not available separately.
29	83758	1	Kit - Valve & Seat Asy Not available separately.
	217080		Major Repair Kit Not available separately.
	219248		Gasket/Diaphragm Kit

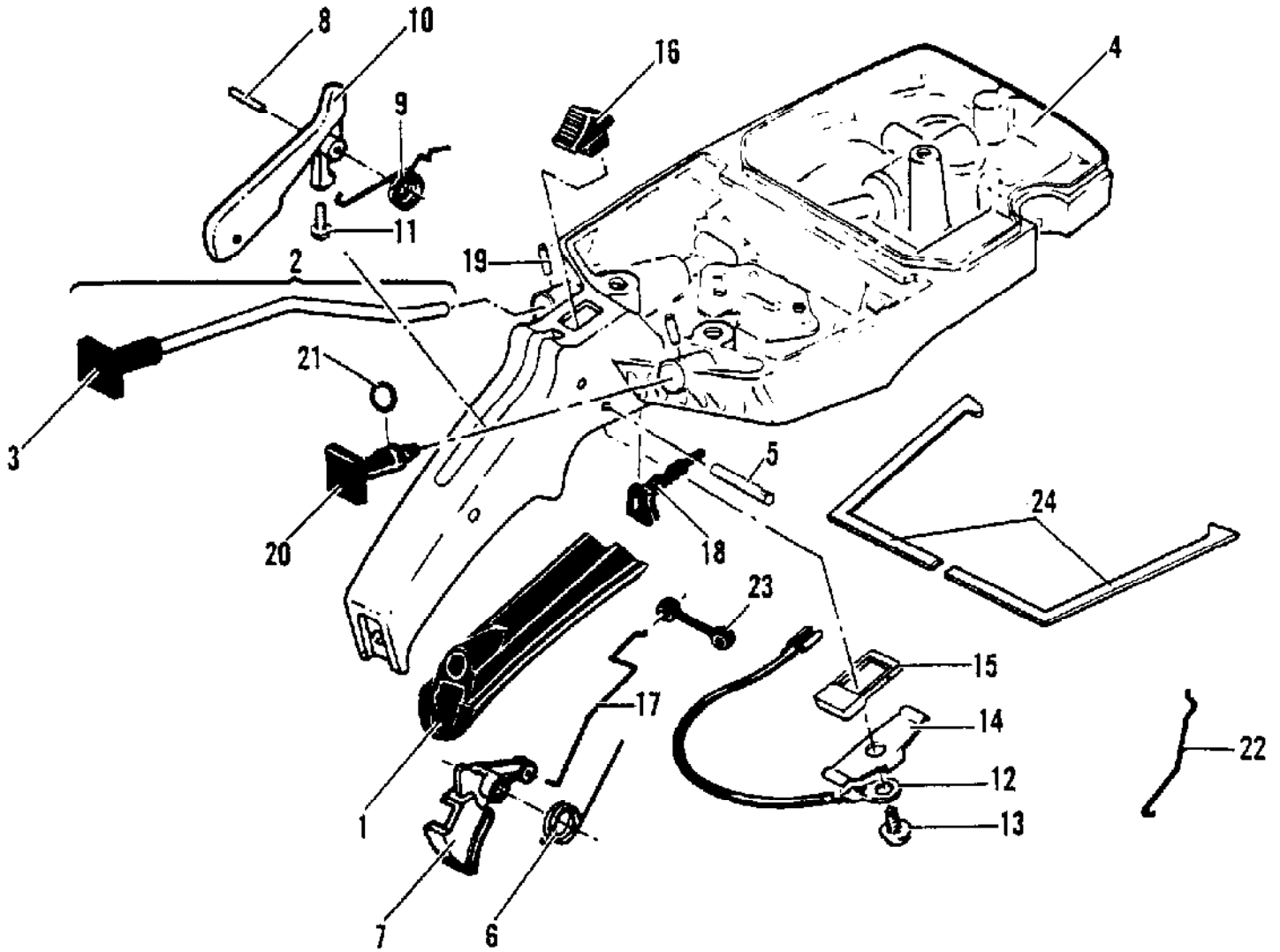


## Chain Brake

Ref #	Part Number	Qty	Description
1	217694	1	Chain Brake Assembly
2	216634	1	Screw - Pn Hd 10-24 x .50
3	216633	1	Washer - Plain .210 I.D.
4	215911	1	Lever Assembly
5	214366	1	Pin Assembly - Roller
6	93085	1	Spring - Brake
7	222478	1	Kit - Latch - Pivot
8		1	Latch Not available separately.
9		1	Pivot - Latch Not available separately.
10	93081	1	Band Brake
11	93082	1	Pin - Band Anchor
12		1	Housing Assembly - Brake Not available separately.
13	216636	1	Screw - Fil 10-24 x 2.75
14	216635	1	Washer - Plain .203 I.O.
15	61705	1	Nut - Blade Adjust
16	100002	1	Washer - #10 Plain
17	102067	1	Nut Hx Lock 10 24
18	91246	1	Pin - Lever Pivot
19	91245	1	Washer - Thrust

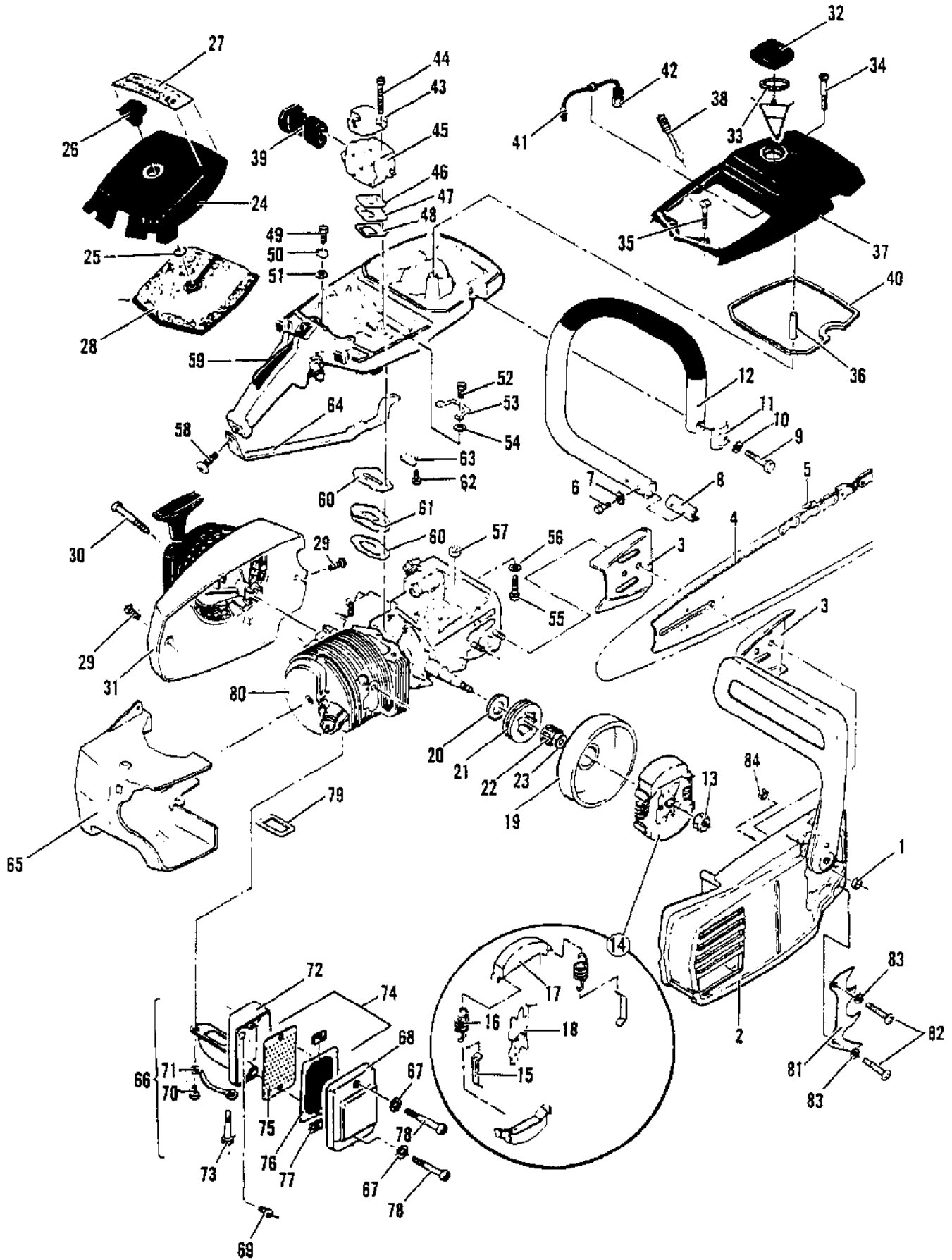


Ref #	Part Number	Qty	Description
	216050	1	Fan Housing & Starter Asy.
1	216623	3	Screw - Oval 8-32 x 1.12
2	91084	1	Cover, Starter
3	217935	1	Screw - Tr 10-24 x .50 TORX
4	87670	1	Rope - Starter
5	110470	1	Rivet - Rope
6	85122	1	Drum Assembly - Starter
7	87680	1	Spring - STR/Rewind
8	86053	1	Shield - Starter Spring
9	83748	1	Shaft - Starter
10	57535	2	Bushing - Starter
11	223953	1	Kit - Fan Housing/Guard
12	214192	1	Guard - Sawdust
13	214699	1	Insert Handle
14	93137	1	Handle - Starter



Ref #	Part Number	Qty	Description
1	89320	1	Insert - Handle Grip
2	216126	1	Button/Rod Assembly - Oiler
3	95615	1	Button - Oiler
4	216127	1	Tank Asy - Fuel
5	110378	1	Pin - Roll .196 x .937
6	92152	1	Spring Trigger
7	214679	1	Trigger - Throttle
8	105654	1	Pin Roll .131 x .875
9	92154	1	Spring - Trigger Release
10	94275	1	Release Assembly - Trigger
11	110713	1	Screw - Skt 10-24 x .88
12	214692-01	1	Wire Asy - Switch
13	111012	1	Screw Pn Hd 4 40 x .31
14	62451	1	Contact - Ign Switch
15	214691	1	Base - Stop Switch
16	68846	1	Button - Stop Switch
17	85107	1	Rod - Throttle
18	214701	1	Seal - Throttle Rod
19	105673	2	Pin Roll .099 x .562
20	69041	1	Button Choke
21	105614	1	"O" Ring .239 x .070
22	69042	1	Rod Choke
23	69043	1	Snubber
24	219280	1	Gasket Kit (L.H. & R.H.)



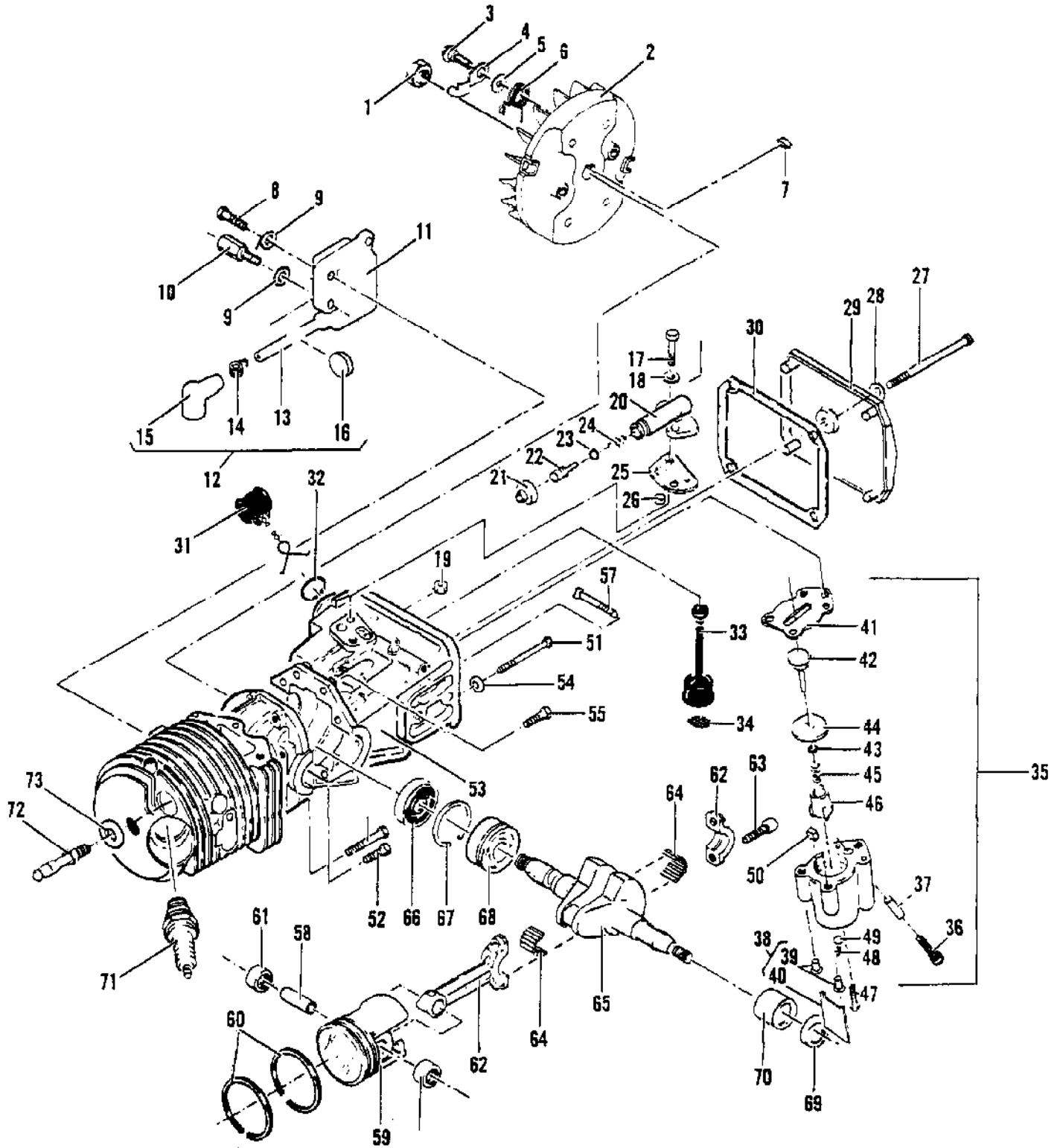


Ref #	Part Number	Qty	Description
1	216640	2	Nut, Flange 5/16-24
2			Chain Brake Assembly See "Chain Brake Assembly" illustration and parts list.
3	64325	1	Plate, Bar Guide
4			Bar Assembly
5			Chain Assembly See "Bar Assembly" illustration and parts list
6	216677	2	Screw-Hx 10-24 x.875 SL
7	100352	2	Washer-#10 Plain
8	89727	1	Retainer-Frame
9	216638	1	Screw-Hx Hd 1/4-20 x 1.50
10	216542	1	Washer-Lock .250
11	216639	1	Clamp-Frame
12	214549	1	Frame & Grip Assembly
13	223060	1	Nut-Hx (L.H.)
14	214301	1	Clutch Assembly
15	64583	2	Retainer, Clutch Spring
16	83223	2	Spring, Clutch
17	67233	1	Kit-Clutch Shoe
18	214300	1	Rotor, Clutch
19	95165	1	Drum & Spkt Assembly 7T (.375)
20	86958	1	Washer, Shim
21	86961	1	Sprocket-7 T .375 pitch
22	215720	1	Kit-Bearing/Washer
23	86958	1	Washer-Shim
24	91543	1	Cover Asy-Air Cleaner
25	110565	1	Ring-Retaining
26	68529	1	Knob-Cover
27	216054-01	1	Label-Logo
28	216685	1	Filter, Air
29	217935	3	Screw-Pn 10-24x.50 TORX
30	216624	3	Screw-Ov Set 8-32 x 2.26
31			Fan Housing/Starter Asy. See "Fan Housing/Starter Assembly" illustration and Parts list.
32	216053	1	Cap Assembly, Fuel W/Retainer
33	69767	1	Gasket
34	216678	1	Screw-Pn 12-24 x 2.375
35	101986	1	Screw-Fuel Tank Cover
36	87840	1	Spacer-Fuel Tank Cover
37	87677	1	Cover-Fuel Tank
38	87932	1	Screw-Idle Adjustment
39	87665	1	Boot-Carburetor
40	69345	1	Gasket-Cover
41	215708	1	Hose Assembly-Fuel
42	215714	1	Pickup Assembly-Fuel
43	69952	1	Bracket-Air Cleaner
44	103357	2	Bolt-Hx Hd 10-24 x 2.25
45			Carburetor Assembly See "Carburetor Assembly" illustration and parts list
46	86189	1	Gasket-Carburetor
47	84078	1	Spacer-Carburetor
48	84081	1	Gasket-Carb Spacer
49	110570	2	Screw-Hx Hd 12-24 x 1.375

Ref #	Part Number	Qty	Description
50	68582	1	Plate-Lock
51	102115	1	Washer-Plain
52	110568	1	Screw-Hx Hd 12-24 x 1.12
53	69516	1	Plate-Lock
54	100352	1	Washer-#10 Plain
55	110713	1	Screw-Skt Hd 10-24 x .88
56	100003	1	Washer-#10 Plain
57	69772	1	Spacer-Fuel Tank
58	216632	1	Screw-Pn Hd 10-24 x 1.25
	217938	1	Screw-Tr. 10-24 x 1.25
59			Fuel Tank Assembly See "Fuel Tank Assembly" illustration and Parts list.
60	84082	2	Gasket-Fuel Tank
61	84079	1	Insulator-Fuel Tank
62	216680	1	Screw-Hx 12-24 x .625
63	68508	1	Plate-Lock
64	85007	t	Brace-Frame
65	214702	1	Shroud-Cylinder
66	93992	1	Kit-Muffler Lvr Side
67	216635	2	Washer-Plain
68	83966	1	Cover Assembly-Muffler
69	217935	1	Screw-Tr 10-24 x .50 TORX
70	110529	1	Screw-Hx 10-24 x .50
71	67922	1	Plate-Lock
72	83105	1	Kit-Body/Duct Assembly
73	68187	1	Screw-Hx 10-24 x 1.38
74	223451	1	Kit-Baffle Screen
75	223403	1	Baffle Spark-Arrestor
76	223405	1	Screen Asy Spark Arrestor
77		1	Clip-S/Arrestor Baffle Not available separately.
78	101563	2	Screw-Skt 10-24 x 1.25
79	84007	1	Gasket-Muffler
80			Powerhead Assembly See "Powerhead Assembly" illustration and Parts list.
81	93668	1	Spike
82	213042	2	Screw, Skt 10-24 x .625
83	216683	2	Washer, Special 10
84	216682	2	Nut, Hex Lock 10-24

No  
Diagram  
Available  
  
Parts List  
Only

Ref #	Part Number	Qty	Description
	322235		LOCTITE KIT
	322236		RETAINING COMPOUND 620 (10 ml)
	322237		THREAD LOCKER 242 (10 ml)
	322238		GASKET ELIMINATOR 518 (50 ml)
	322239		BLACK MAX ADHESIVE 380 (01 oz)



Ref #	Part Number	Qty	Description
1	110703	1	Nut, Hex Flange 3/8-24
2	216739	1	Flywheel Assembly
3	93464	2	Screw, Pawl Pivot
4	93198	2	Pawl, Starter
5	93469	2	Washer, Starter Pawl
6	214102	2	Spring, Starter Pawl
7	100106	1	Key, Woodruff
8	110127	1	Screw, Hex 10-24 x .88 SEMS
9	223637	2	Spacer
10	83512	1	Stud, Special
11	223708-01	1	Kit, ignition Assembly
12	223884	1	Kit, Spark Plug Wire
13		1	Wire - 7mm Ignition Not available separately.
14	102556	1	Connector, Spark
15	95266	1	Boot, Spark Plug
16	110995	1	Grommet, Spark Plug Wire
	215533-01	1	Grommet, H/T Lead
17	110338	2	Screw - Hx 8-32 x .532
18	110613	1	Washer, 48 Hard
19	100955	1	Nut - Hx Lock 8-32
20	84156	1	Housing - Oil Pump
21	215151	1	Cap - Oil Pump
22	62266	1	Plunger - Oil Pump
23	105614	1	"O" Ring .239 x .070
24	66687	1	Spring - Plunger
25	91669	1	Gasket - Oil Pump Hsg.
26	91668	1	Valve - Oiler
27	110291	1	Screw - Pn 10-24 x 2.62
28	110921	1	Washer, Sealing
29	218707	1	Cover - Oil Tank
30	86306	1	Gasket - Cover Oil Tank
31	216052	1	Cap Assembly, Oil
32	101148	1	"O" Ring .75 ID x.09
33	91672	1	Hose Asy - Oil Pickup
34	51506	1	Screen - Oil Intake
35	215339	1	Kit, Pump Tested
36	217936	1	Screw - TR, 10-24 x .75 TORX
37	91774	1	Sleeve - Pulse Pump
38	215246	1	Kit, Oil Pump
39		2	Eyelet Not available separately.
40		1	Clip - Sealing Not available separately.
41	92874	1	Seal - Pulse Pump
42	214278	1	Piston Assembly-Oiler
43	105603	1	"O" Ring, .114 x .070
44	86182	1	Ring - Piston Pulse Pump
45	60259	1	Spring, Piston Oiler
46	62227	1	Sleeve - Oiler Adjustment
47	110963	1	Screw - Hx 8-32 x 1.00 WSH
48		1	Spring - Outlet Valve Not available separately.
49		1	Ball Not available separately.
50	91259	1	Pad - Pump
51	62106	4	Screw - Wsh 12-24 x 1.75
52	110288	1	Screw - Hx Wsh 8-32 x .75
53	214672	1	Cylinder/Crankcase Asy
54	111025	4	Washer - Sealing Aluminum

Ref #	Part Number	Qty	Description
55	110288	1	Screw - Hx Wsh B-32 x .75
56	110618	1	Screw - Hx Wsh 8-32 x 1.37 Wsh
57	62065	2	Bolt - Bar Mounting
58	69020	1	Piston - Pin
59	89783-01	1	Piston Assembly
60	92517	1	Set - Piston Ring
61	111021	2	Bearing Needle
62	85352	1	Connecting Rod Asy
63	61627-01	2	Screw Connecting Rod
64	63225	1	Pkg Needle Roller (20)
65	216897	1	Crankshaft Assembly
66	67906	1	Seal, Oil
67	63464	1	Ring, Snap
68	67905	1	Bearing, Ball
69	110260	1	Seal, Oil.625 I.D. x.875
70	104357	1	Bearing, Needle
71	92879	1	Spark - Plug
72	62345	1	Spark - Plug
73	94272	1	Valve - Compression Release
74	214765	1	Washer - Valve