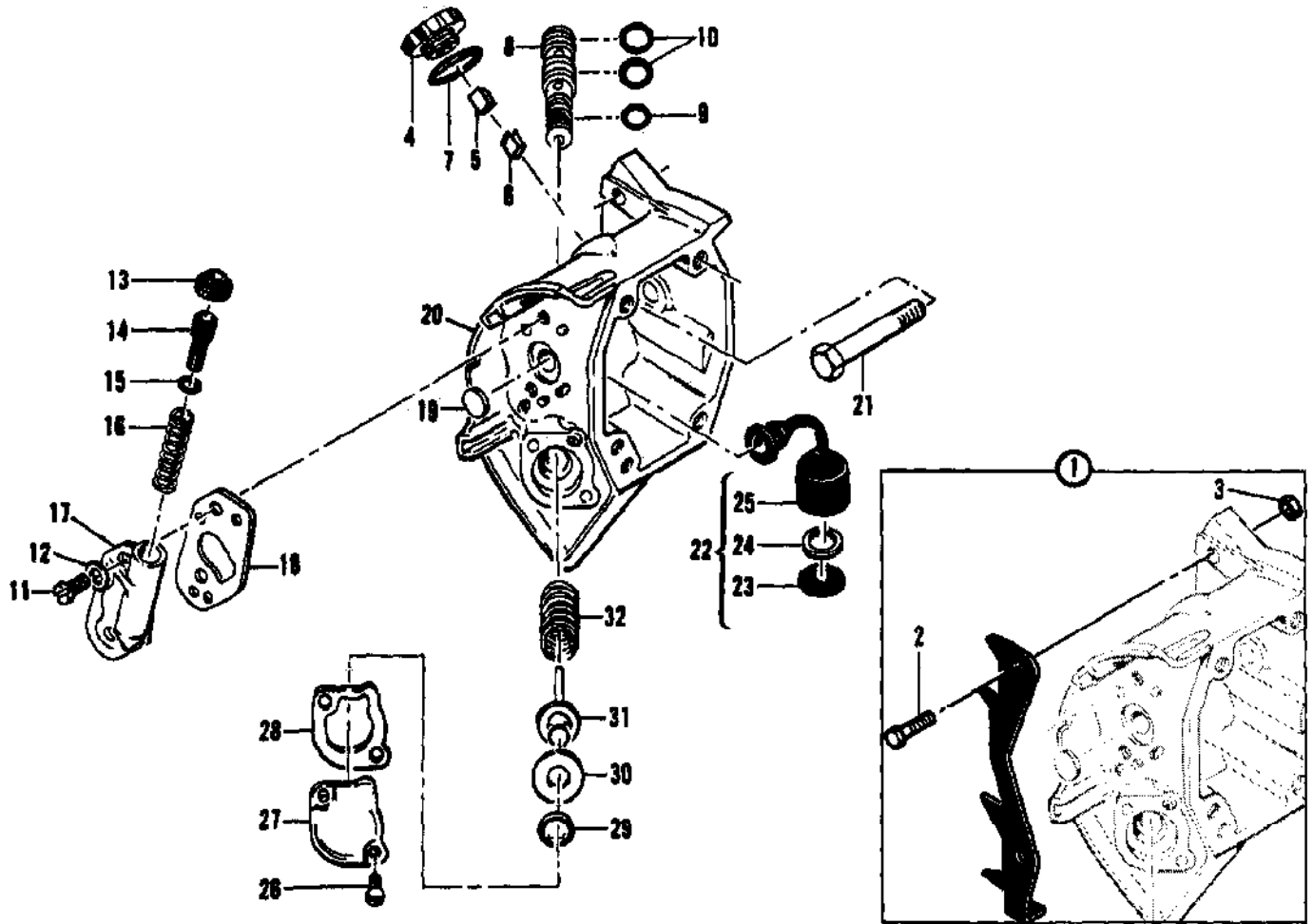


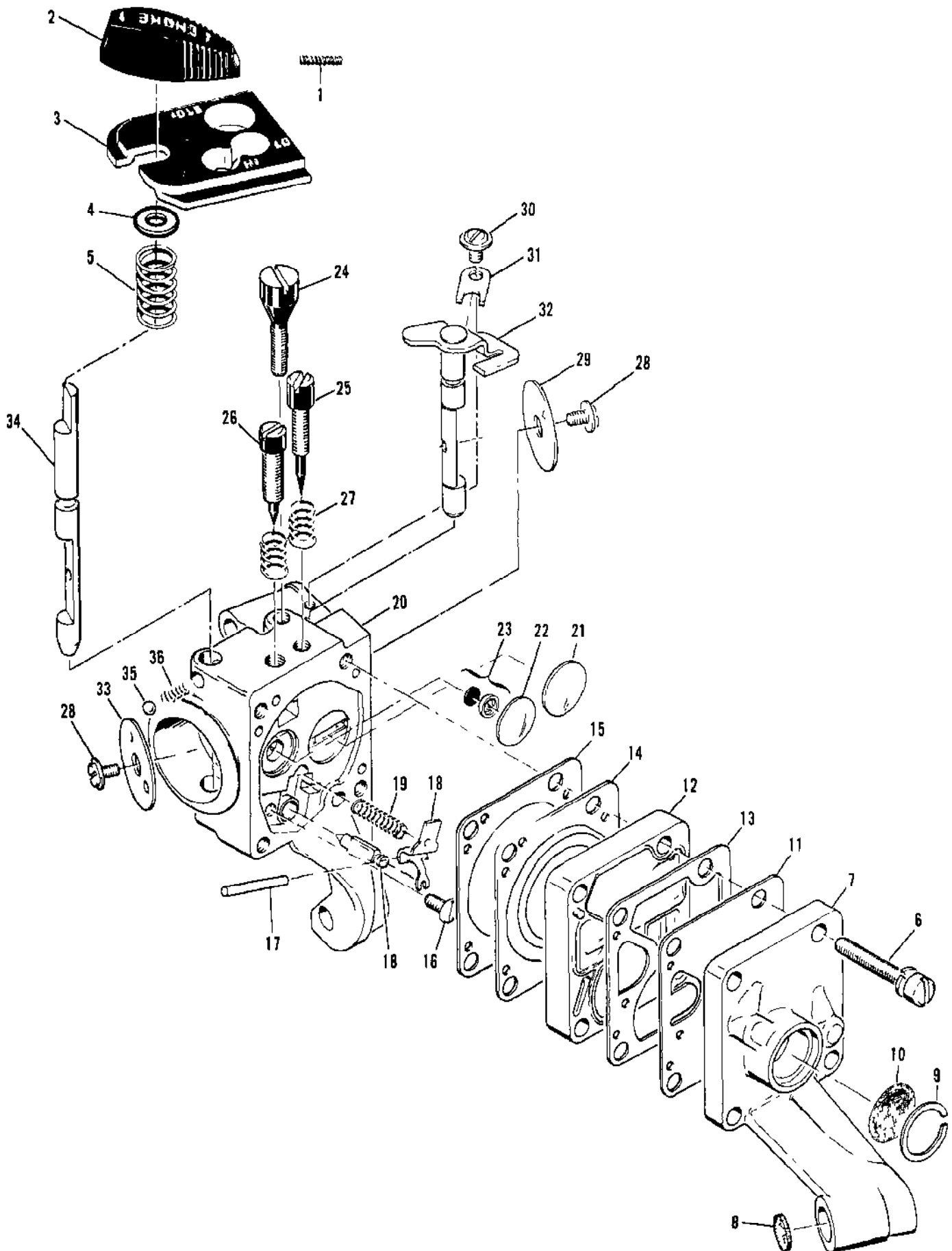
No
Diagram
Available

Parts List
Only

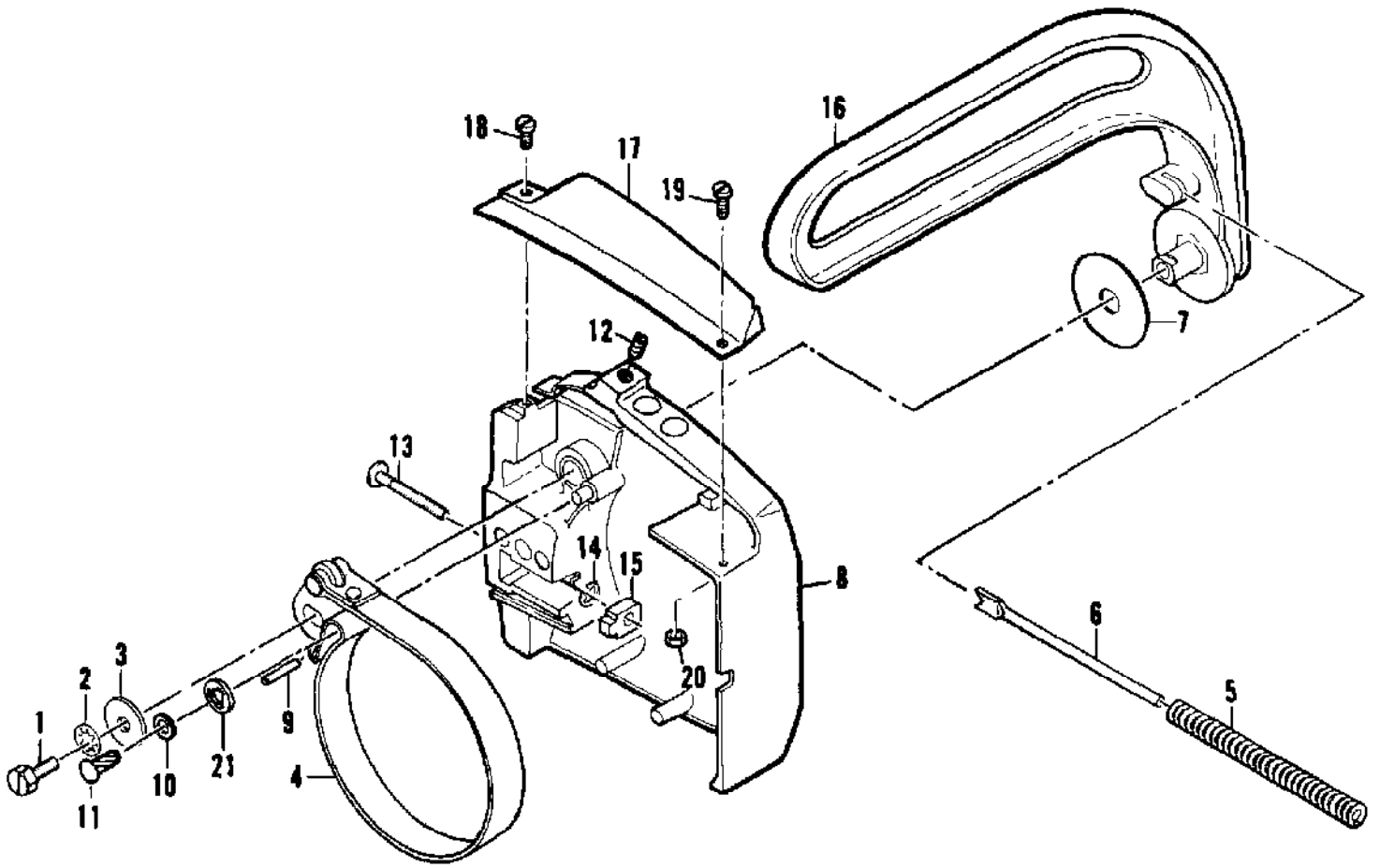
Ref #	Part Number	Qty	Description
	67680		Pkg - File Depth Gauge (0.025 - 0.030)
	67688		Pkg - File Depth Gauge (0.015 - 0.020)
	68915A		Kit - Piston tool
	83323		Shop Manual
	84338		Rope - 100 ft. reel
	85933		Kit - Spark arrester screen
	89685		Screen - Spark arrester
	90257		Tuneup Kit
	85687		Wrench
	88756		Kit - Combination Wrench
	91485		Wrench - Socket
	91567		Guard - Bar
	90550		Bar - 14" Sprocket nose
	90643N		Chain - 14" Bar, MP 370G
	90771		Bar - 14" MAC 6
	88034N		Chain - 14" Bar, SM 250



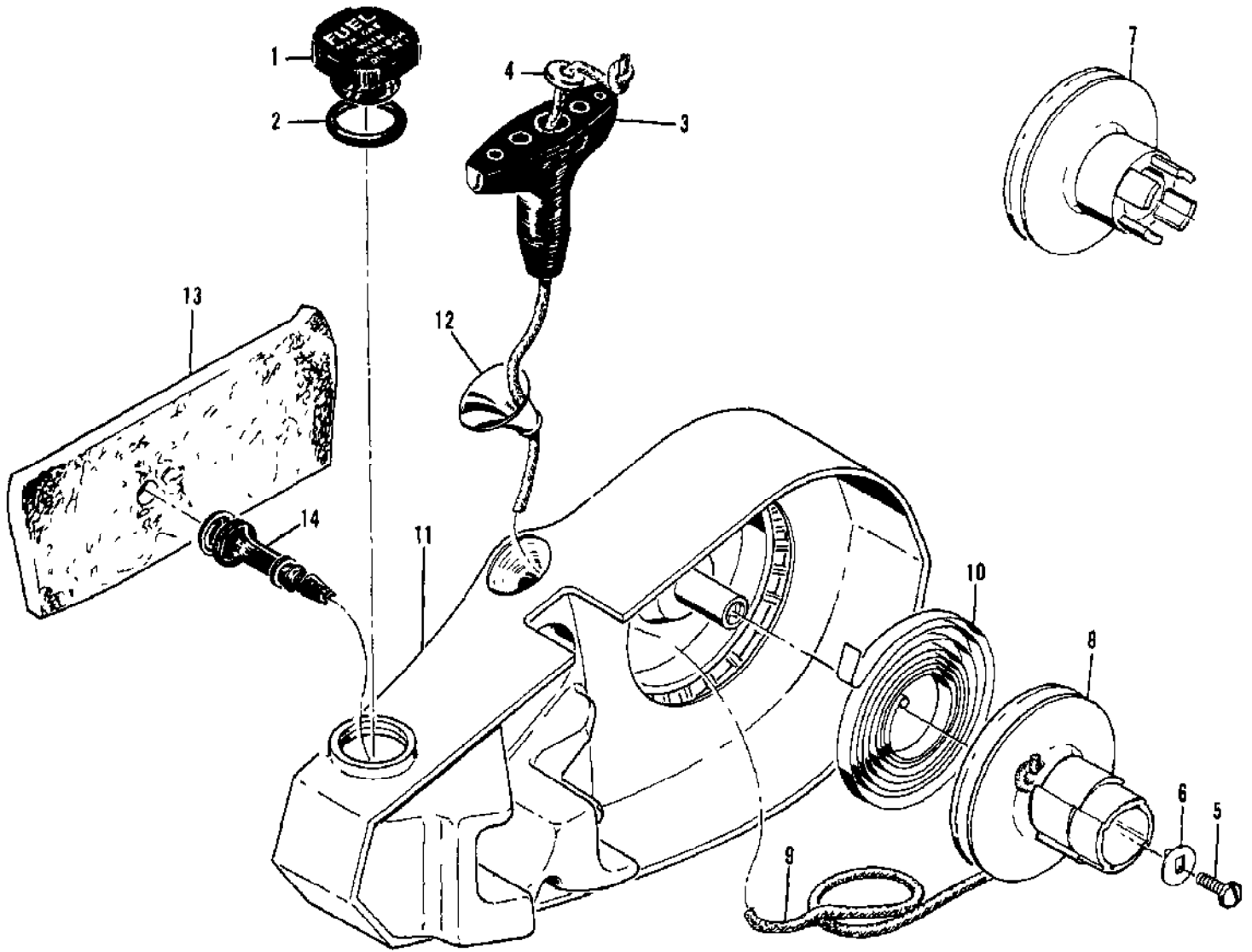
Ref #	Part Number	Qty	Description
1	91051	1	Kit - Spike
2	104738	2	Screw - Hx hd 10-24 x 1/2
3	101191	2	Nut - Hex 10-24
4	68809	1	Cap - Oil
5	84953	1	Plug - Cap
6	110737	1	Clip
7	101148	1	"O" Ring
8	83591	1	Cylinder Assy - Oil Pump
9	105603	1	"O" Ring
10	105614	2	"O" Ring
11	105248	2	Screw - Rd hd 8-32 x 5/8 (SEMS)
12	100080	1	Washer - #8
13	62262	1	Cap - Oil pump
14	68603	1	Plunger - Oil pump
15	105614	1	"O" Ring
16	66687	1	Spring - Plunger
17	83189	1	Body - Oil pump
18	83187	1	Gasket - Oil pump
19	62909	1	Valve - Oiler
20	91428	1	Tank Assy - Oil
21	68687A	1	Bolt - Bar
22	68140	1	Pickup Assy - Oil
23	67552	1	Screen
24	67569	1	Weight
25	67568	1	Hose
26	105248	2	Screw - Rd hd 8-32 x 5/8 (SEMS)
27	83186	1	Cover - Oil pump
28	83185	1	Gasket - Cover
29	105603	1	"O" Ring
30	83184	1	Ring - Oiler piston
31	83181	1	Piston Assy - Oiler
32	83180	1	Spring - Oiler piston



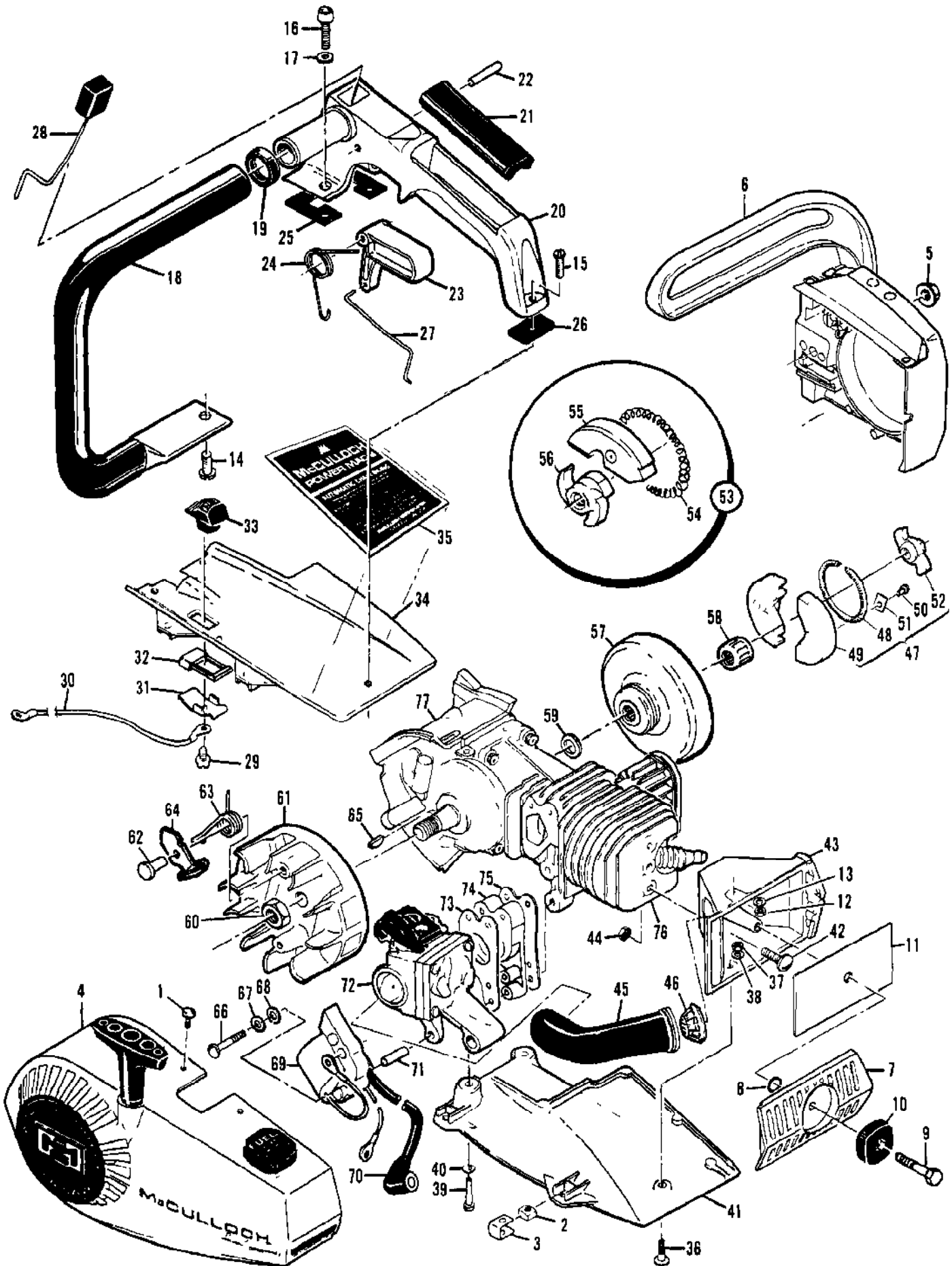
Ref #	Part Number	Qty	Description
1	110554	1	Screw - Set 4-40 x 1/2
2	68659	1	Knob - Choke
3	68814	1	Plate - Adjustment cover
4	110264	1	Washer
5	11086	1	Spring - Plate
	90447	1	Carburetor Assembly
6	68564	1	Screw Assy - Body
7	68879	1	Cover Assy - Pump
8	68570	1	Screen - Inlet
9	68883	1	Retainer - Vent screen
10	68571	1	Screen - Vent
11	68563	1	Diaphragm - Pump
12	90444	1	Kit - Body & Gasket
13	85035	1	Gasket
14	68562	1	Diaphragm
15	68881	1	Gasket - Diaphragm
16	67500	1	Screw - Lever pin
17	67508	1	Pin - Lever
18	85059	1	Kit - Needle & lever
19	68567	1	Spring - Lever
20		1	Body Assy - Carburetor
21	68560	1	Plug - 1/2
22	68559	1	Plug - 7/16
23	83758	1	Kit - Check valve
24	68566	1	Screw - Idle speed
25	86446	1	Needle - Idle
26	86447	1	Needle - High speed
27	67502	2	Spring - Needle
28	83755	2	Screw - Plate
29	68553	1	Plate - Throttle
30	70798	1	Screw - Clip
31	68554	1	Clip - Throttle shaft
32	90470	1	Throttle Shaft Assy
33	68556	1	Plate - Choke shaft
34	84990	1	Choke Shaft
35	100302	1	Ball - Choke friction
36	67504	1	Spring - Choke friction
	68882		Gasket Set
	90409		Repair Kit



Ref #	Part Number	Qty	Description
	90570B		CHAIN BRAKE Assy
1	102762	1	Screw - Hex hd 10-24 x 1/2
2	101194	1	Washer - Lock #10
3	110712	1	Washer
4	90580	1	Band & Lever
5	90587A	1	Spring - Brake Actuator
6	90588	1	Guide - Spring
7	90967	1	Washer - Actuating Lever
8	90571C	1	Kit-Housing/Spring
9	103047	1	Pin
10	100001	1	Washer
11	110946	1	Screw Drive - 6 x 5/16
12	110955	1	Screw - Set 8-32 x 1/2
13	90658	1	Screw - Adjusting
14	110907	1	Ring - Retaining
15	84929	1	Nut - Bar adjusting
16	90576	1	Lever - Actuator
17	91542A	1	Kit - Shield
18	104164	1	Screw - Pan hd 4-40 x 1/4, s/t
19	110663	1	Screw - Pan hd 4-40 x 5/16, s/t
20	100530	1	Nut - Hx 4-40
21	110913	1	Fastener - Springtip

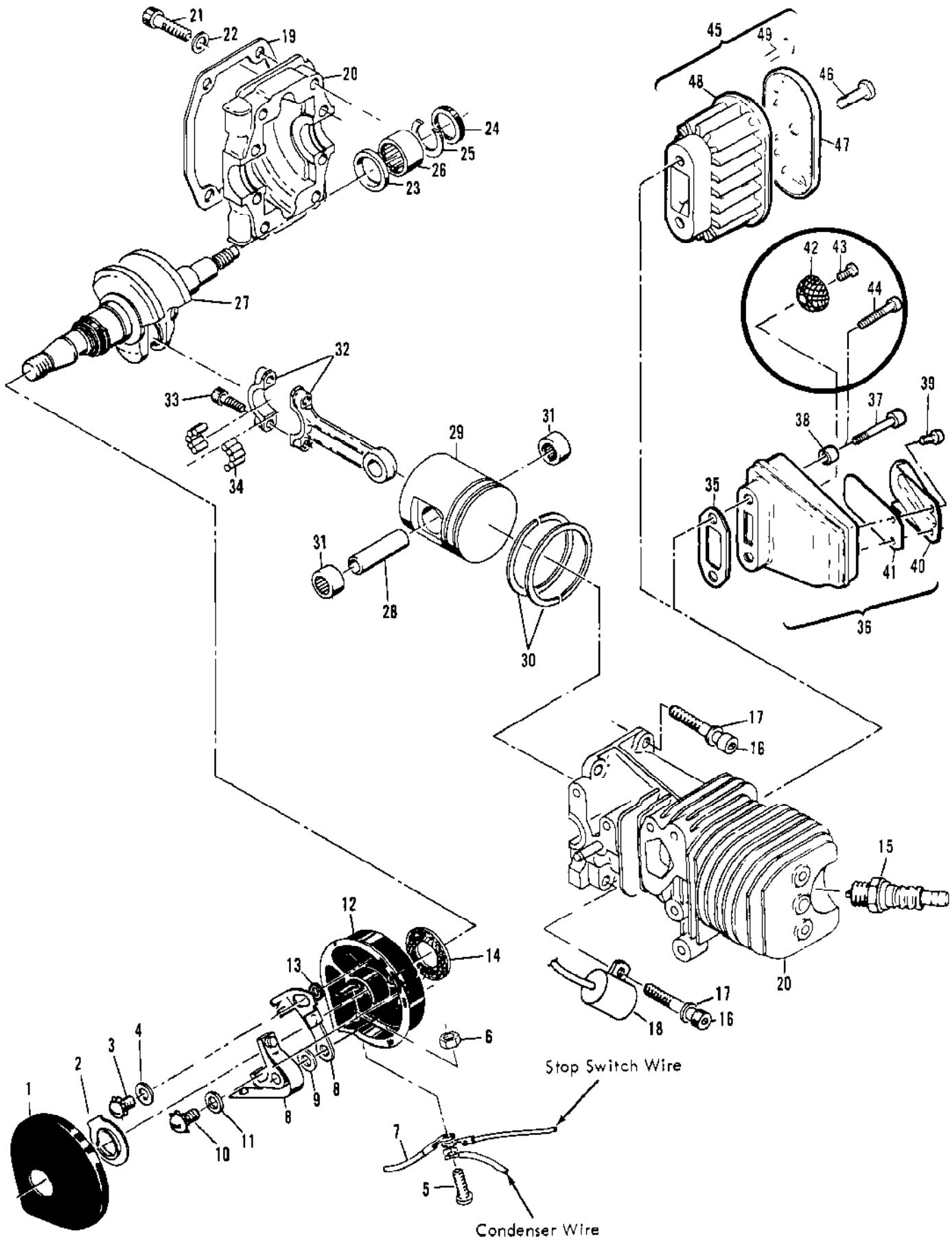


Ref #	Part Number	Qty	Description
1	68813	1	Cap Asy - Fuel
2	101148	1	"O" Ring
	83167	1	Fan Housing & Starter Asy
	92122	1	Fan Housing & Starter Asy
3	91255	1	Kit - Starter handle
4	105490	1	Washer
5	105248	1	Screw - Rd hd 8-32 x 5/8 (SEMS)
6	68497	1	Washer - Tang
7	83080	1	Drum - Starter
8	92307	1	Drum/Rope Asy
9	83203	1	Rope - Starter
10	83078	1	Spring - Rewind
11	83201	1	Housing Asy
12	67571	1	Guide- Rope
13	67582	1	Felt - Fuel
14	67581	1	Fitting - Fuel



Ref #	Part Number	Qty	Description
1	110597	6	Screw - Pad hd 8-32 x 1/2
2	68963	6	Nut - Square 8-32
3	68770	6	Retainer - Nut
4			Fan Housing & Starter Asy See "Fan Housing & Starter Assembly" illustration and parts list.
5	110676	1	Nut - Hx 1/4-28
6			CHAIN BRAKE Asy See "Chain Brake Assembly" illustration and parts list.
7	69006	1	Cover - Air cleaner
8	105603	1	"O" Ring
9	69202	1	Screw - Cover
10	68616	1	Knob - Cover
11	68685	1	Screen - Air cleaner
12	100955	1	Nut - Hx 8-32
13	100080	1	Washer - #8
14	110670	1	Screw - Pan hd 8-32 x 5/8
15	110726	1	Screw - Pan hd 8-32 x 7/8
16	110585	2	Screw - Skt hd 10-24 x 3/4
17	110264	2	Washer - #10
18	85465	1	Frame & Grip Asy
19	84061	1	Collar - Frame
20	85577	1	Handle Asy
21	91365	1	Grip - Handle
22	105654	1	Pin - Trigger
23	84063	1	Trigger
24	84255	1	Spring - Trigger
25	84239	1	Insulator - Forward
26	84240	1	Insulator - Rear
27	84256	1	Rod - Throttle
28	84228	1	Button & Rod Asy
29	110706	1	Screw - Pan hd 8-18 x 1/2
30	88435	1	Wire Asy - Stop switch
31	62451	1	Contact - Switch
32	62950A	1	Base - Switch
33	68846	1	Button - Switch
34	69009	1	Shroud - Top
35	91595	1	Plate - Name
36	110584	1	Screw - Pan hd 8-32 x 3/4
37	100955	1	Nut - Hx 8-32
38	100080	1	Washer - #8
39	110714	2	Screw - Skt hd 10-24 x 3/4
40	110264	2	Washer - #10
41	69010	1	Shroud - Bottom
42	110584	2	Screw - Pan hd 8-32 x 3/4
43	87900	1	Housing - Air cleaner
44	100955	2	Nut - Hx 8-32
45	67195	1	Duct - Air
46	68623	1	Shield - Duct
47	92743	1	Clutch Asy
48	69358	1	Spring - Clutch
49	92668	2	Kit - Clutch shoe
50	110957	2	Rivet
51	85064	2	Plate
52	92721	1	Spider

Ref #	Part Number	Qty	Description
53	83156	1	Clutch Asy
54	69358	1	Spring - Clutch
55	83220	3	Shoe - Clutch
56	68778	1	Spider
57	90150	1	Drum/Sprocket/Bearing Asy - .375P
58	91222	1	Kit - Bearing
57	85504	1	Drum & Sprocket Asy - .250P
58	67650	1	Bearing - Sprocket
59	67303	1	Washer - Sprocket
60	110970	1	Nut - Hx 5/16-24
60	110931	1	Nut - Hx 3/8-24
61	91961	1	Flywheel & Pawl Asy
62	68796	2	Pin - Pawl
63	67814	2	Spring - Pawl
64	91872	2	Pawl - Starter
61	69806	1	Flywheel & Pawl Asy
62	68796	2	Pin - Pawl
63	67814	2	Spring - Pawl
64	69103	2	Pawl - Starter
65	102164	1	Key - Woodruff
65	100106	1	Key - Woodruff
66	110586	3	Screw - Pan hd 8-32 x 1-3/4
67	100080	3	Washer - #8
68	67177	3	Washer - Insulating
69	84957	1	Coil & Lamination
70	69966	1	Wire Asy - Spark plug
71	68198	3	Tube - Insulating
72			Carburetor Asy See "Carburetor Assembly" illustration and parts list.
73	68197	1	Gasket - Carburetor
74	90713	1	Insulator - Carburetor
75	90714	1	Gasket - Insulator
76			Powerhead Asy See "Powerhead Assembly" illustration and parts list.
77			Automatic Oiler Housing Asy See "Automatic Oiler Housing Assembly" illustration and parts list.



Ref #	Part Number	Qty	Description
1	67841	1	Cover - Breaker box
2	69323	1	Seal - Outer
3	110969	1	Screw - Hx hd 8-32 x 1/2
4	69322	1	Washer - #8
5	110364	1	Screw - Pan hd 6-32 x 5/8
6	110975	1	Nut - Speed
7	69344	1	Wire Assy - Primary
8	88810	1	Breaker Assy
9	68630	1	Washer - Breaker
10	105248	1	Screw - Rd hd 8-32 x 5/8 (SEMS)
11	100080	1	Washer - #8
12	67840A	1	Kit - Breaker box
13	92037	1	Washer
14	68525	1	Seal - Breaker box
15	63097	1	Spark Plug
15	93018	1	Spark Plug
16	110523	4	Screw - Skt hd 8-32 x 1-1/4
17	110613	4	Washer - #8
18	85358	1	Condenser
19	83088	1	Gasket - Oil tank
20	83454A	1	Crankcase Assy
21	110522	4	Screw - Skt hd 8-32 x 7/8
22	110613	4	Washer - #8
23	68513	2	Washer - Thrust
24	67175	2	Seal - Oil
25	110547	2	Ring - Retaining
26	66854	2	Bearing - Crankshaft
27	91932	1	Crankshaft
	86439A	1	Crankshaft
28	66867	1	Pin - Piston
29	68098	1	Piston Assy
30	87165	1	Ring Set - Piston
31	110538	2	Bearing - Needle (Closed end)
32	68097	1	Rod Assy - Connecting
33	66853	2	Screw - Skt hd Special
34	68095	1	Roller - Needle (Set of 20)
35	68747	1	Gasket - Spark arrester
36	84992	1	Kit - Reed muffler
37	110692	2	Screw - Skt hd 10-24 x 1-3/8
38	84950	2	Nut - Round 10-24
39	110563	2	Screw - Skt hd 8-32 x 1/4
40	92353	1	Stop - Reed
41	85258	1	Valve - Spark arrester
42	85933	1	Kit - Spark arrester screen
43	101987	1	Screw - Bd hd 6-32 x 1/4
44	85926	2	Screw - Skt hd 10-24 x 1-3/8
45	89683	1	Kit - Sound Reducing
46	110674	1	Screw - Hx hd 10-24 x 1/2
47	89684	1	Cover - Spark arrester screen
48	89682	1	Body - Spark arrester
49	110928	2	Screw - Hx hd 10-24 x 1/2