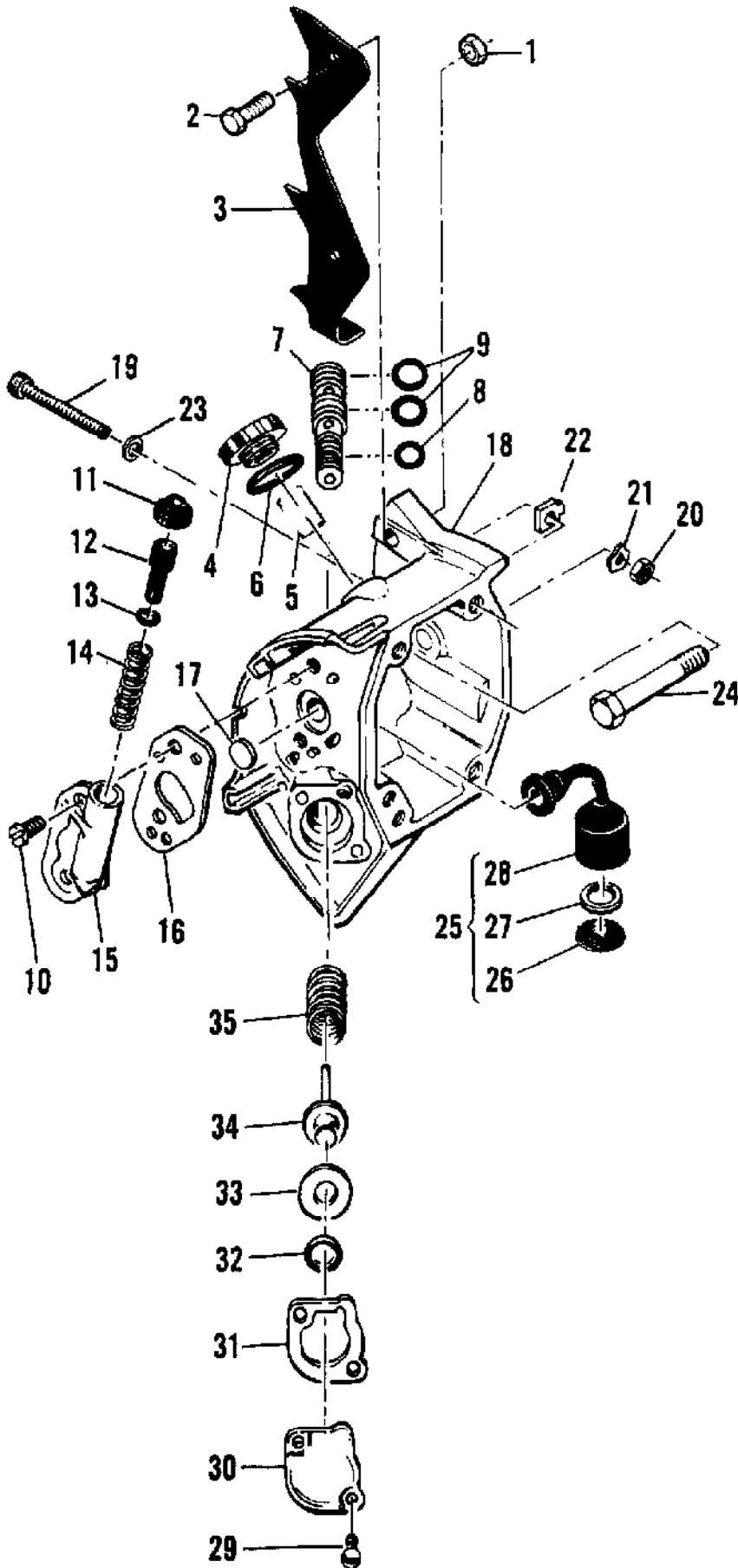


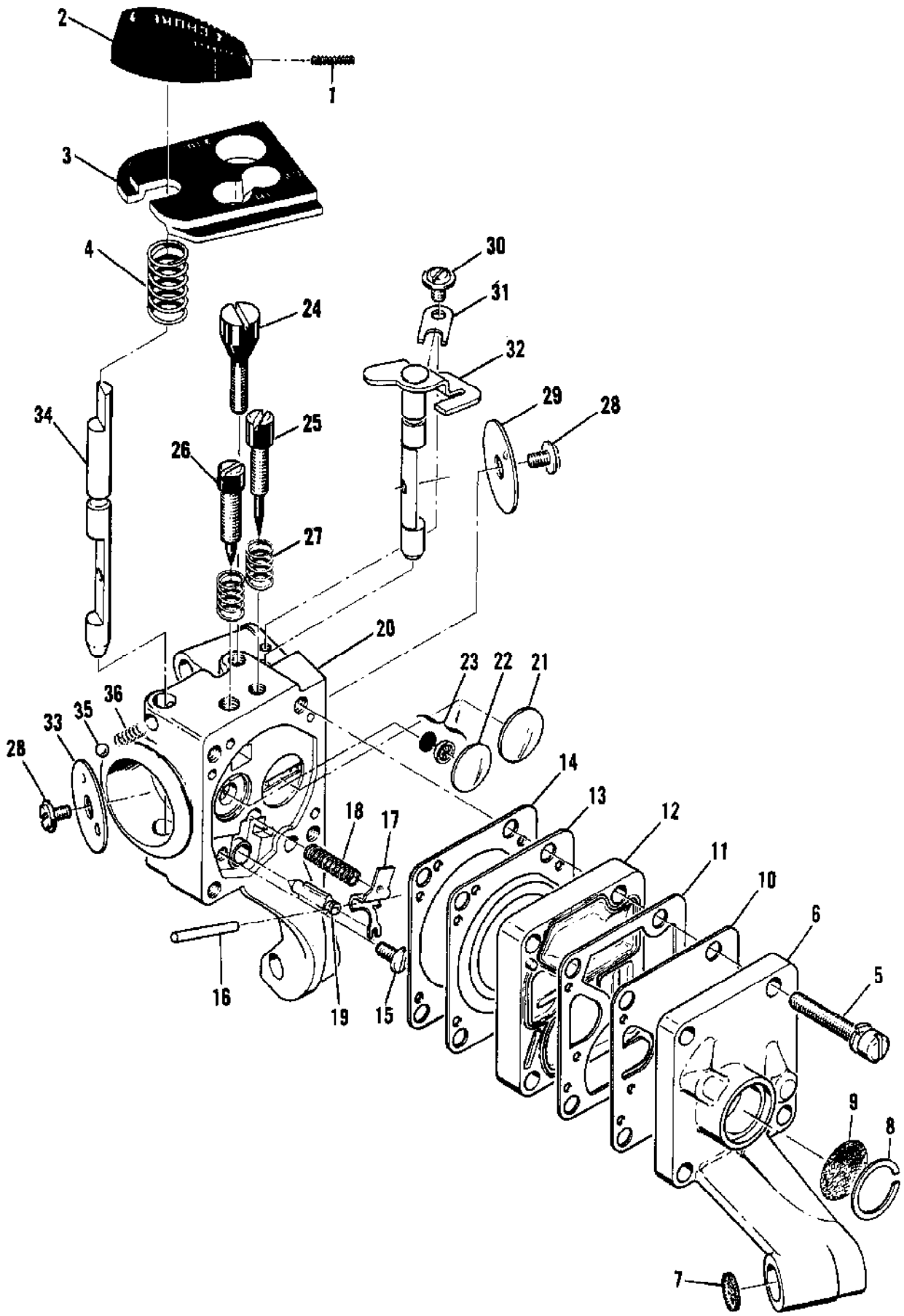
No
Diagram
Available

Parts List
Only

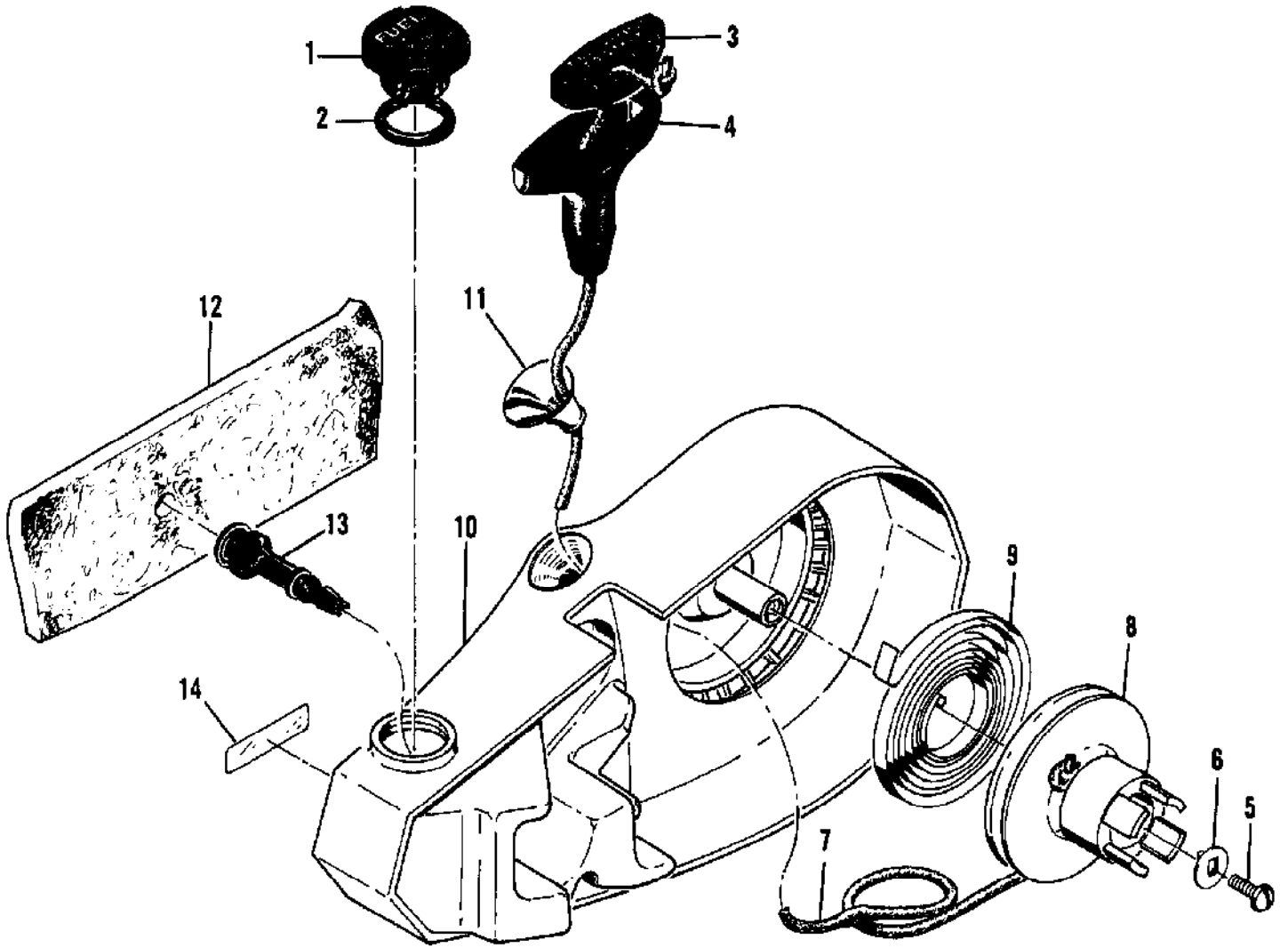
Ref #	Part Number	Qty	Description
	83577		Owner's Manual
	68648		Scrench
	66924		Bar - 12 inch
	67746M		Chain - 12 inch bar
	68301		Bar - 14 inch
	67747M		Chain - 14 inch bar
	68302		Bar - 16 inch
	67748M		Chain - 16 inch bar
	68349		Kit - Chain repair
	67750		Pkg - File guide
	67680		Pkg - File depth gauge (.025 - .030)
	67688		Pkg - File depth gauge (.015 - .020)
	68916		Kit - Pressure test
	68915		Kit - Piston tool
	69162		Baffle - Spark arrester (alternate)
	83124		Guard - Bar
	84338		Rope - 100 ft.
	83323		Shop Manual



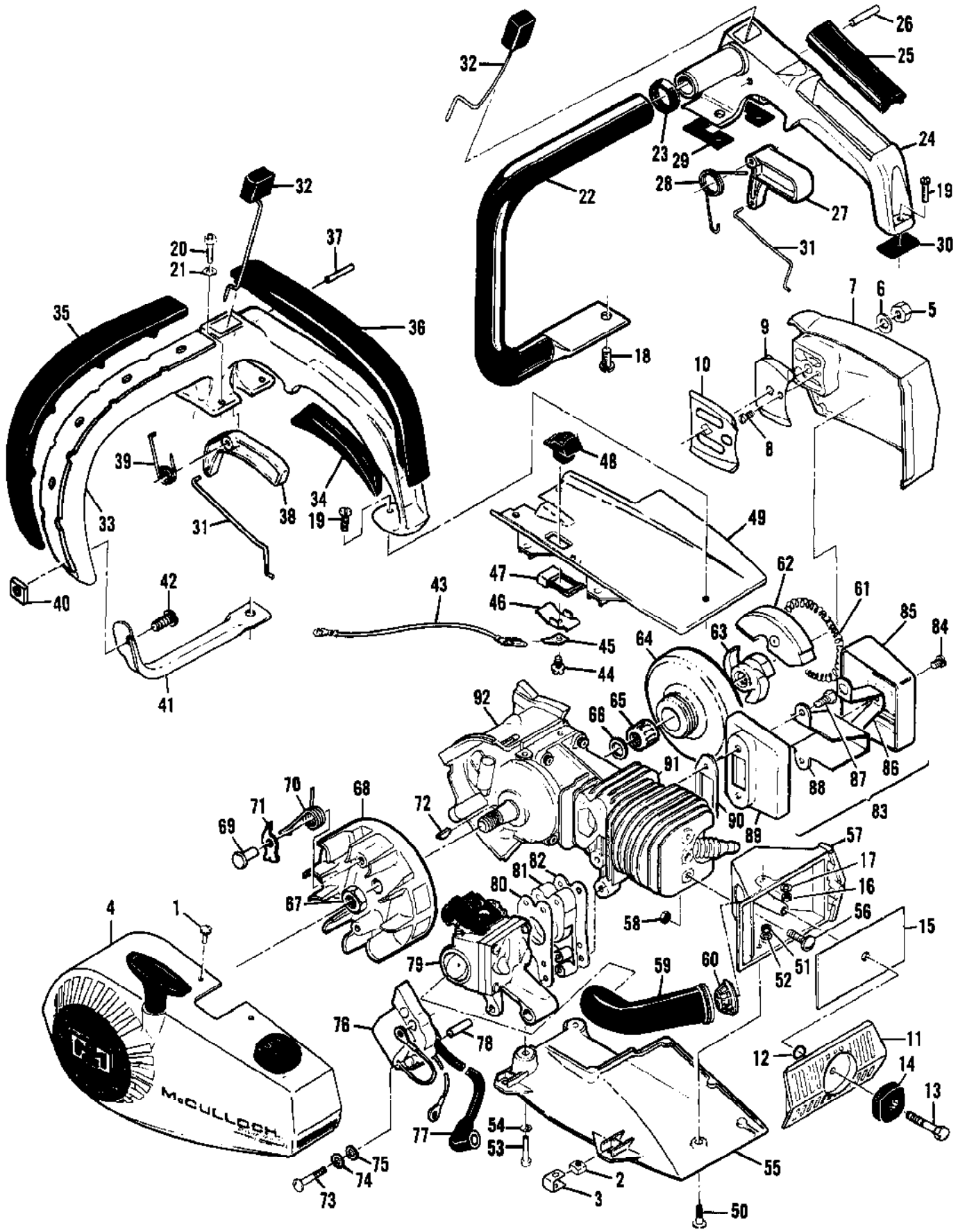
Ref #	Part Number	Qty	Description
1	101191	2	Nut - Hex 10-24
2	104738	2	Screw - Hex hd 10-24 x 1/2
3	68412	1	Spike
4	68809	1	Cap - Oil
5	84953	1	Plug - Cap
6	101148	1	"O" Ring
7	83591	1	Cylinder Assy - Oil pump
8	105603	1	"O" Ring
9	105614	2	"O" Ring
10	105248	2	Screw - Rd hd 8-32 x 5/8 (SEMS)
11	62262	1	Cap - Oil pump
12	68603	1	Plunger - Oil pump
13	101056	1	"O" Ring
14	66687	1	Spring - Plunger
15	83189	1	Body - Oil pump
16	83187	1	Gasket - Oil pump
17	62909	1	Valve - Oiler
18	83587	1	Tank Assy - Oil
18	85467	1	Tank Assy - Oil
19	110587	1	Screw - Fil hd 8-32 x 1-1/2
20	100955	1	Nut - Hex 8-32
21	110525	1	Washer - Wavey
22	84929	1	Nut - Adjustment
23	100080	1	Washer - #8
24	68687	1	Bolt - Bar
25	68140	1	Pickup Assy - Oil
26	67552	1	Screen
27	67569	1	Weight
28	67568	1	Hose
29	105248	2	Screw - Rd hd 8-32 x 5/8 (SEMS)
30	83186	1	Cover - Oil pump
31	83185	1	Gasket - Cover
32	105603	1	"O" Ring
33	83184	1	Ring - Oiler piston
34	83181	1	Piston Assy - Oiler
35	83180	1	Spring - Oiler piston



Ref #	Part Number	Qty	Description
1	110554	1	Screw - Set 4-40 x 1/2
2	68659	1	Knob - Choke
3	68814	1	Plate - Adjustment cover
4	11086	1	Spring - Plate
	87238	1	Carburetor Assy
5	68564	4	Screw Assy - Body
6	68879	1	Cover Assy - Pump
7	68570	1	Screen - Inlet
8	68883	1	Retainer - Vent screen
9	68571	1	Screen - Vent
10	68563	1	Diaphragm - Pump
11	68561	1	Gasket - Diaphragm
12	68880	1	Body - Fuel pump
13	68562	1	Diaphragm
14	68881	1	Gasket - Diaphragm
15	67500	1	Screw - Lever pin
16	67508	1	Pin - Lever
17	68572	1	Lever - Inlet control
	83756	1	Lever - Inlet control
18	68567	1	Spring - Lever
19	68557	1	Needle - Fuel inlet
	83753	1	Needle - Fuel inlet
20	83751	1	Body Assy - Carburetor
21	68560	1	Plug - 1/2
22	68559	1	Plug - 7/16
23	83758	1	Kit - Check valve
24	68566	1	Screw - Idle speed
25	86446	1	Needle - Idle
26	86447	1	Needle - High speed
27	67502	2	Spring - Needle
28	83755	2	Screw - Plate
29	68553	1	Plate - Throttle
30	70798	1	Screw - Clip
31	68554	1	Clip - Throttle shaft
32	68552	1	Throttle Shaft Assy
33	68556	1	Plate - Choke shaft
34	68555	1	Choke Shaft
35	100302	1	Ball - Choke friction
36	67504	1	Spring - Choke friction
	68882		Gasket Set
	86457		Repair Kit

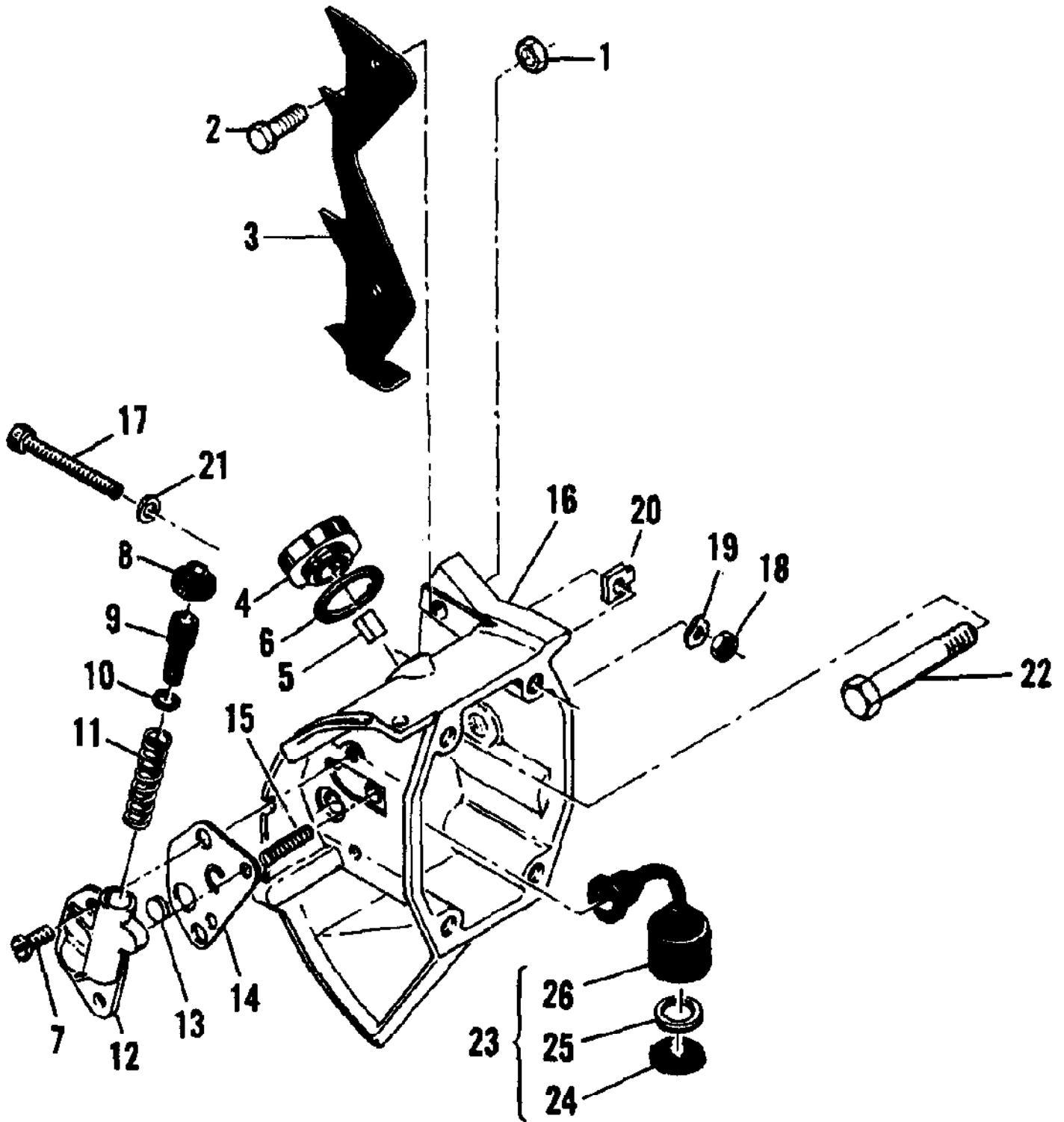


Ref #	Part Number	Qty	Description
1	68813	1	Cap Assy - Fuel
2	101148	1	"O" Ring
	83167	1	Fan Housing & Starter Assy
3	68810	1	Insert - Rope
4	67158	1	Handle - Starter
5	105248	1	Screw - Rd hd 8-32 x 5/8 (SEMS)
6	68497	1	Washer - Tang
7	83203	1	Rope
8	83080	1	Drum - Starter
9	83078	1	Spring - Rewind
10	83201	1	Housing Assy
11	67571	1	Guide - Rope
12	67582	1	Felt - Fuel
13	67581	1	Fitting - Fuel
14	69013	1	Nameplate

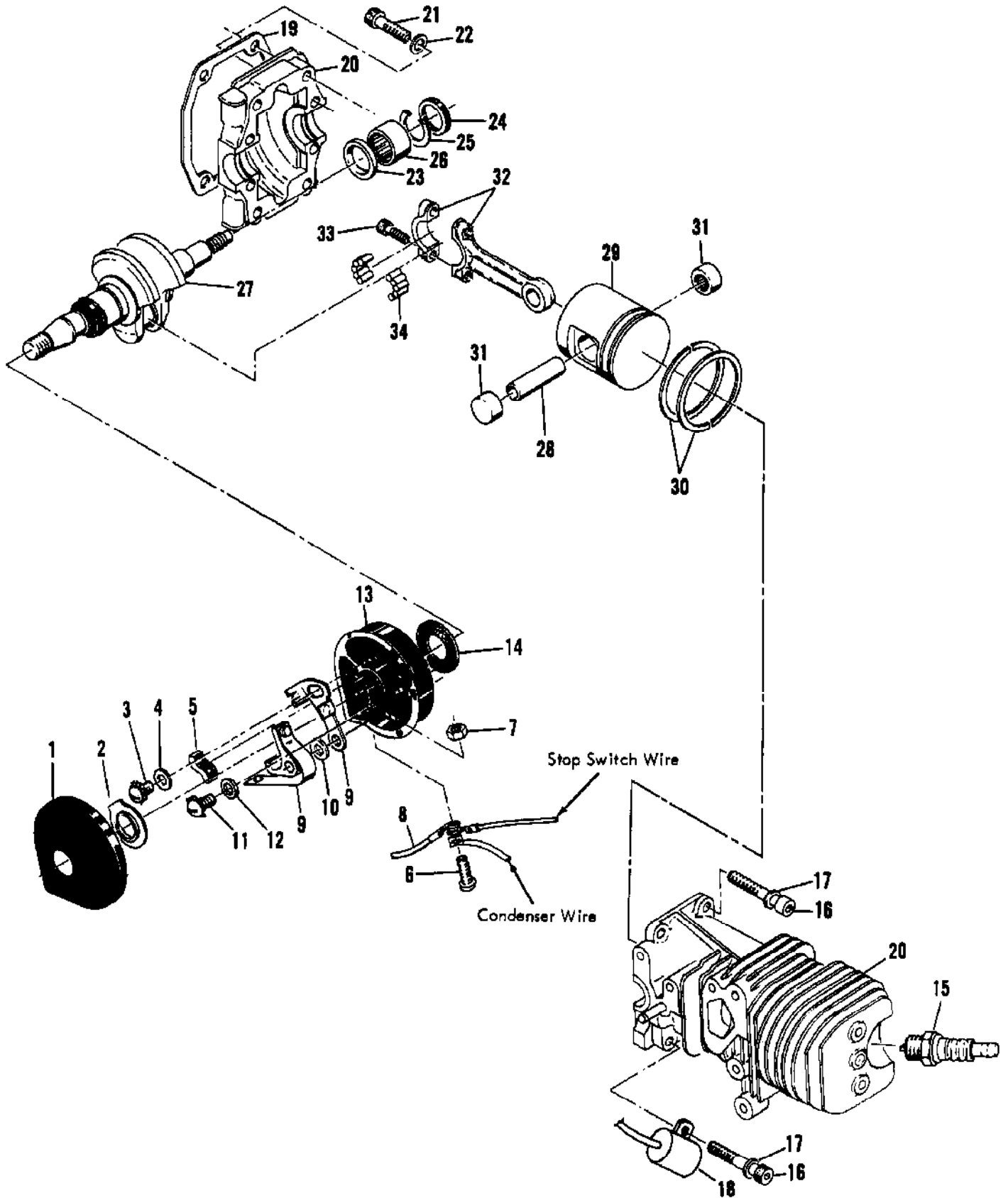


Ref #	Part Number	Qty	Description
1	110597	5	Screw - Pan hd 8-32 x 1/2
2	68963	6	Nut - Square 8-32
3	68770	6	Retainer - Nut
4			Fan Housing & Starter Assy See "Fan Housing & Starter Assembly" illustration and parts list.
5	110715	1	Nut - Hex 1/4-28
6	100311	1	Washer - 1/4
7	69696	1	Guard - Clutch
8	110620	1	Screw - Fil hd 6-32 x 7/16 s/t
	67667	1	Set - Bar plate
9	68673	1	Plate - Bar outer
10	67588	1	Plate - Bar inner
11	69006	1	Cover - Air cleaner
12	105603	1	"O" Ring
13	69202	1	Screw - Cover
14	68616	1	Knob - Cover
15	68685	1	Screen - Air cleaner
16	100955	1	Nut - Hex 8-32
17	100080	1	Washer - #8
18	110670	1	Screw - Pan hd 8-32 x 5/8
19	110726	1	Screw - Pan hd 8-32 x 7/8
20	110585	2	Screw - Skt hd 10-24 x 3/4
21	110264	2	Washer - #10
22	85465	1	Frame & Grip Assy
23	84061	1	Collar - Frame
24	85577	1	Handle Assy
25	85580	1	Grip - Handle
26	105654	1	Pin - Trigger
27	84063	1	Trigger
28	84255	1	Spring - Trigger
29	84239	1	Insulator - Forward
30	84240	1	Insulator - Rear
31	84256	1	Rod - Throttle
	69194	1	Rod - Throttle
32	84228	1	Button & Rod Assy - Oiler
	69052	1	Button & Rod Assy - Oiler
33	69232	1	Handle Assy
34	67583	1	Grip - Lower
	83576	1	Grip - Lower
35	69567	1	Grip - Side
36	67584	1	Grip - Top
	83575	1	Grip - Top
37	105654	1	Pin - Trigger
38	68621	1	Trigger
39	69201	1	Spring - Trigger
40	68963	1	Nut - Square 8-32
41	68853	1	Strap - Handle
42	110597	1	Screw - Pan hd 8-32 x 1/2 (SEMS)
43	69344	1	Wire Assy - Stop switch
44	110597	1	Screw - Pan hd 8-32 x 1/2 (SEMS)
45	69879	1	Terminal - Stop switch wire
46	62451	1	Contact - Switch
47	62950A	1	Base - Switch
48	68846	1	Button - Switch
49	69009	1	Shroud - Top

Ref #	Part Number	Qty	Description
50	110584	1	Screw - Pan hd 8-32 x 3/4
51	100955	1	Nut - Hex 8-32
52	100080	1	Washer - #8
53	110714	2	Screw - Skt hd 10-24x 3/4
54	110264	2	Washer - #10
55	69010	1	Shroud - Bottom
56	110584	2	Screw - Pan hd 8-32 x 3/4
57	69005	1	Housing - Air cleaner
58	100955	2	Nut - Hex 8-32
59	67195	1	Duct - Air
60	68623	1	Shield - Duct
	83156	1	Clutch Assy
61	69358	1	Spring
62	83220	3	Shoe Assy
63	68778	1	Spider
64	67656	1	Drum & Sprocket Assy
65	67650	1	Bearing - Sprocket
66	67303	1	Washer - Sprocket
67	110703	1	Nut - Hex 3/8-24
68	69806	1	Flywheel k Pawl Assy
69	68796	2	Pin - Pawl
70	67814	2	Spring - Pawl
71	69103	2	Pawl - Starter
72	103879	1	Key - Flywheel
73	110586	3	Screw - Pan hd 8-32 x 1-3/4
74	100080	3	Washer - #8
75	67177	3	Washer - Insulator
76	68707	1	Coil & Lamination Assy
77	69966	1	Wire Assy - Spark plug
78	68198	3	Tube - Insulating
79			Carburetor Assy See "Carburetor Assembly" illustration and parts list.
80	68197	1	Gasket - Carburetor
81	68195	1	Insulator - Carburetor
82	68196	1	Gasket - Insulator
83	68768	1	Kit - Spark arrester
84	110597	1	Screw - Pan hd 8-32 x 1/2
85	69160		Cover - Spark arrester
86	68725	1	Clip - Locking
87	110581	2	Screw - Hex hd 10-24 x 3/8
88	68669	1	Baffle
89	68781	1	Body
90	68747	1	Gasket - Spark arrester
91			Powerhead Assy See "Powerhead Assembly" illustration and parts list.
92			Oiler Housing Assy (Manual) See "Oiler Housing Assembly (Manual)" illustration and parts list. Oiler Housing Assy (Automatic) See "Oiler Housing Assembly (Automatic)" illustration and parts list.



Ref #	Part Number	Qty	Description
1	101191	2	Nut - Hex 10-24
2	104738	2	Screw - Hex hd 10-24 x 1/2
3	68412	1	Spike
4	68809	1	Cap - Oil
5	84953	1	Plug - Cap
6	101148	1	"O" Ring
7	105248	2	Screw - Rd hd 8-32 x 5/8 (SEMS)
8	62262	1	Cap - Oil pump
9	68603	1	Plunger - Oil pump
10	101056	1	"O" Ring
11	66687	1	Spring - Plunger
12	68604	1	Body - Oil pump
13	62909	1	Valve - Oiler
14	68688	1	Diaphragm - Oil pump
15	67565	1	Spring - Diaphragm
16	84230	1	Tank Assy - Oil
17	110587	1	Screw - Fil hd 8-32 x 1-1/2
18	100955	1	Nut - Hex 8-32
19	110525	1	Washer - Wavey
20	84929	1	Nut - Adjustment
21	100080	1	Washer - #8
22	68687	1	Bolt - Bar
23	68140	1	Pickup Assy - Oil
24	67552	1	Screen
25	67569	1	Weight
26	67568	1	Hose



Ref #	Part Number	Qty	Description
1	67841	1	Cover - Breaker box
2	69323	1	Seal - Outer
3	110597	1	Screw - Pan hd 8-32 x 1/2 (SEMS)
4	69322	1	Washer - #8
5	54184	1	Wiper
6	110364	1	Screw - Pan hd 6-32 x 5/8
7	100035	1	Nut - Hex 6-32
8	69344	1	Wire Assy - Primary
9	66885	1	Breaker Assy
10	68630	1	Washer - Breaker
11	105248	1	Screw - Rd hd 8-32 x 5/8 (SEMS)
12	100080	1	Washer - #8
13	67840	1	Box - Breaker
14	68525	1	Seal - Breaker box
15	63097	1	Spark Plug
16	110523	4	Screw - Skt hd 8-32 x 1-1/4
17	110613	4	Washer - #8
18	85358	1	Condenser
19	83088	1	Gasket - Oil tank
20	83454	1	Crankcase Assy
21	110522	4	Screw - Skt hd 8-32 x 7/8
22	110613	4	Washer - #8
23	68513	2	Plate - Thrust
24	67175	2	Seal - Oil
25	110547	2	Ring - Retaining
26	66854	2	Bearing - Crankshaft
27	68854	1	Crankshaft
28	66867	1	Pin - Piston
29	68098	1	Piston Assy
30	68096	1	Ring Set - Piston
31	110538	2	Bearing - Needle
32	68097	1	Rod Assy - Connecting
33	66853	2	Screw - Skt hd special
34	68095	1	Roller - Needle Set (20)