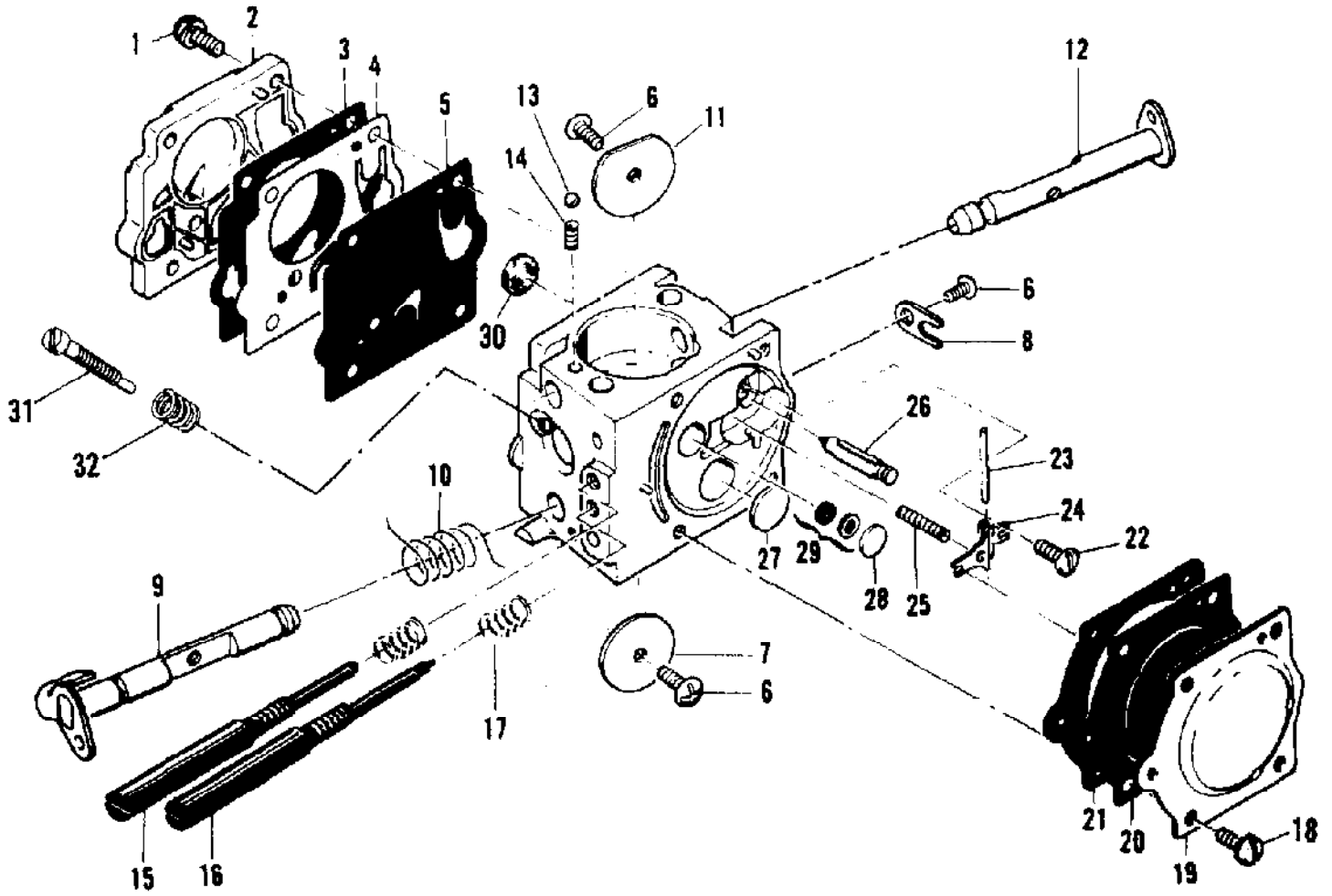


No  
Diagram  
Available  
  
Parts List  
Only

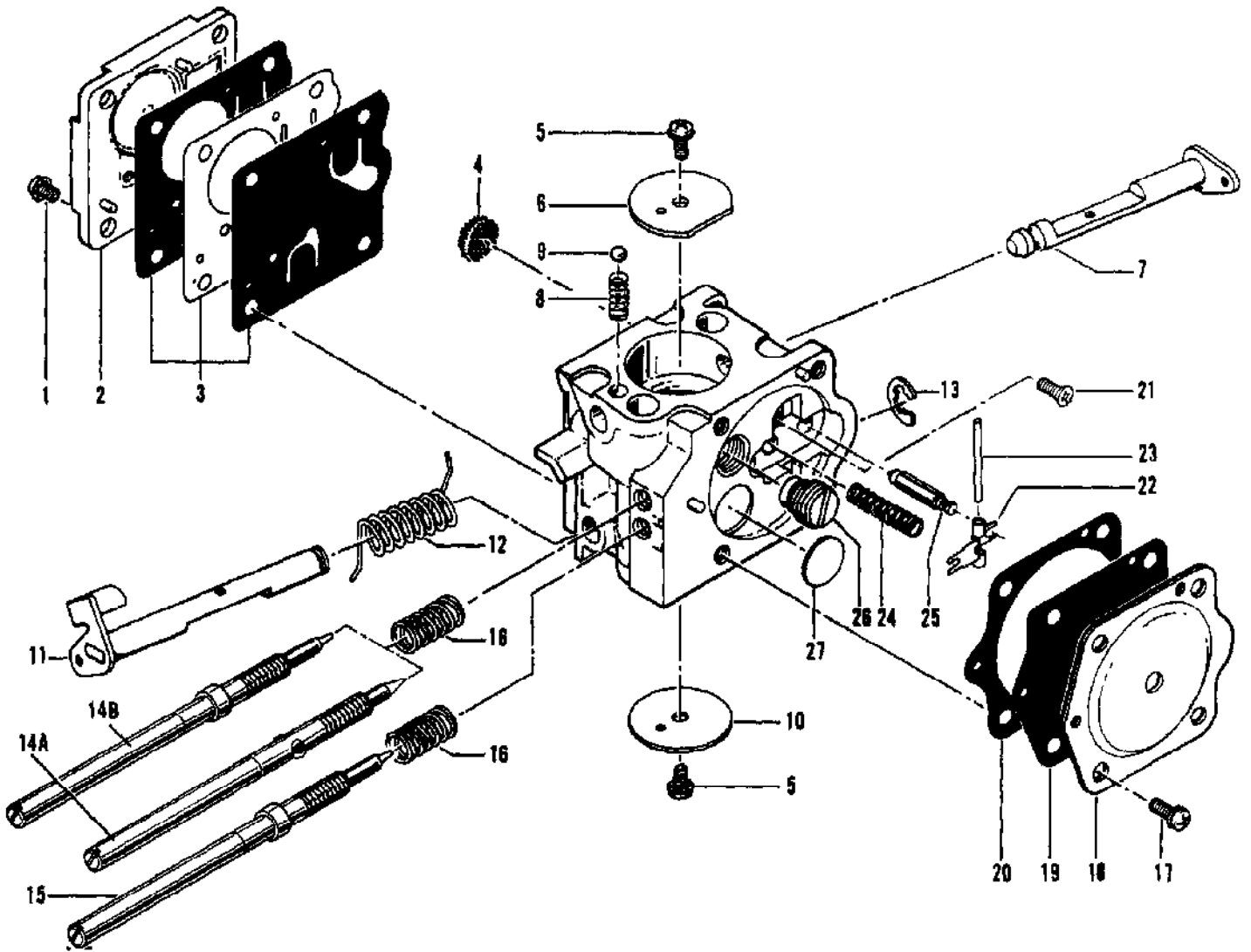
Ref #	Part Number	Qty	Description
	86177		Adaptor - Exhaust
	91226		Tool - Clutch Holding
	69191		Kit - Pressure Test
	215033		Coupling-Hose
	84223		Kit - Piston Tool
	214221		Scrench
	216147		Key - Socket 1/8"
	216335		Key - Socket 3/32"
	216063		Key - Socket 5/32"
	214194		Metal Lube Gun (reusable)
	214195		Plastic Lube Gun (disposable)
	93770		McCulloch 2 - Cycle Custom Lubricant (Case of 48 - 6oz. Cans)
	94816		McCulloch 2 - Cycle Custom Lubricant (Case of 6 - 1 Gal. Bottles)
	87885		Bar and Chain Oil (Case of 12 - 1 Qt. Bottles)
	94818		Bar and Chain Oil (Case of 6 - 1 Gal. Bottles)
	214221		Scrench - 13mm x 5/8

No  
Diagram  
Available  
  
Parts List  
Only

Ref #	Part Number	Qty	Description
	94074-00		16" Speed Mac Bar
	86830		Replacement - Sprocket Tip
	89974-12		SPR370GX Chain 60 CL
	94074-05		16" Speed Mac Bar
	219975		Replacement - Sprocket Tip
	89974-12		SPR370GX Chain 60 CL
	93778-00		20" Speed Mac Bar
	86830		Replacement - Sprocket Tip
	89979-12		SPR370GX Chain 71 CL
	93778-05		20" Speed Mac Bar
	219975		Replacement - Sprocket tip
	89979-12		SPR370GX Chain 71 CL
	86846-00		24" Speed Mac Bar
	86830		Replacement - Sprocket Tip
	89981-12		SPR370GX Chain 81 CL
	86846-05		24" Speed Mac Bar
	219975		Replacement - Sprocket Tip
	89981-12		SPR370GX Chain 81 CL
	86847-00		28" Speed Mac Bar
	86830		Replacement - Sprocket Tip
	89984-12		SPR370GX Chain 92 CL
	86847-05		28" Speed Mac Bar
	219975		Replacement - Sprocket Tip
	89984-12		SPR370GX Chain 92 CL
	89505		28" Mac 10 Bar
	89985-12		SPR370GX Chain 93 CL
	91284		33" Speed Mac Bar
	86830		Replacement - Sprocket Tip
	92101-12		SPR370GX Chain 106 CL
	91284-01		33" Speed Mac Bar
	219975		Replacement - Sprocket Tip
	92101-12		SPR370GX Chain 106 CL
	218738		File Plate Sharpening Tools for GX Chain
	219161		7/32" (5.5mm) Round File Sharpening Tools for GX Chain
	56698-23		7/32" (5.5mm) Round File Sharpening Tools for GX Chain
	89503		20" Mac 10 Bar
	88173-14		PM370G Chain 71 CL
	86846		24" Speed Mac Bar
	86830		Replacement - Sprocket Tip
	88175-14		PM370G Chain 81 CL
	89505		28" Mac 10 Bar
	93552-14		PM370G Chain 93 CL
	219161		7/32" (5.5mm) Round File Sharpening Tools for G Chain
	56698-23		7/32" (5.5mm) Round File Sharpening Tools for G Chain

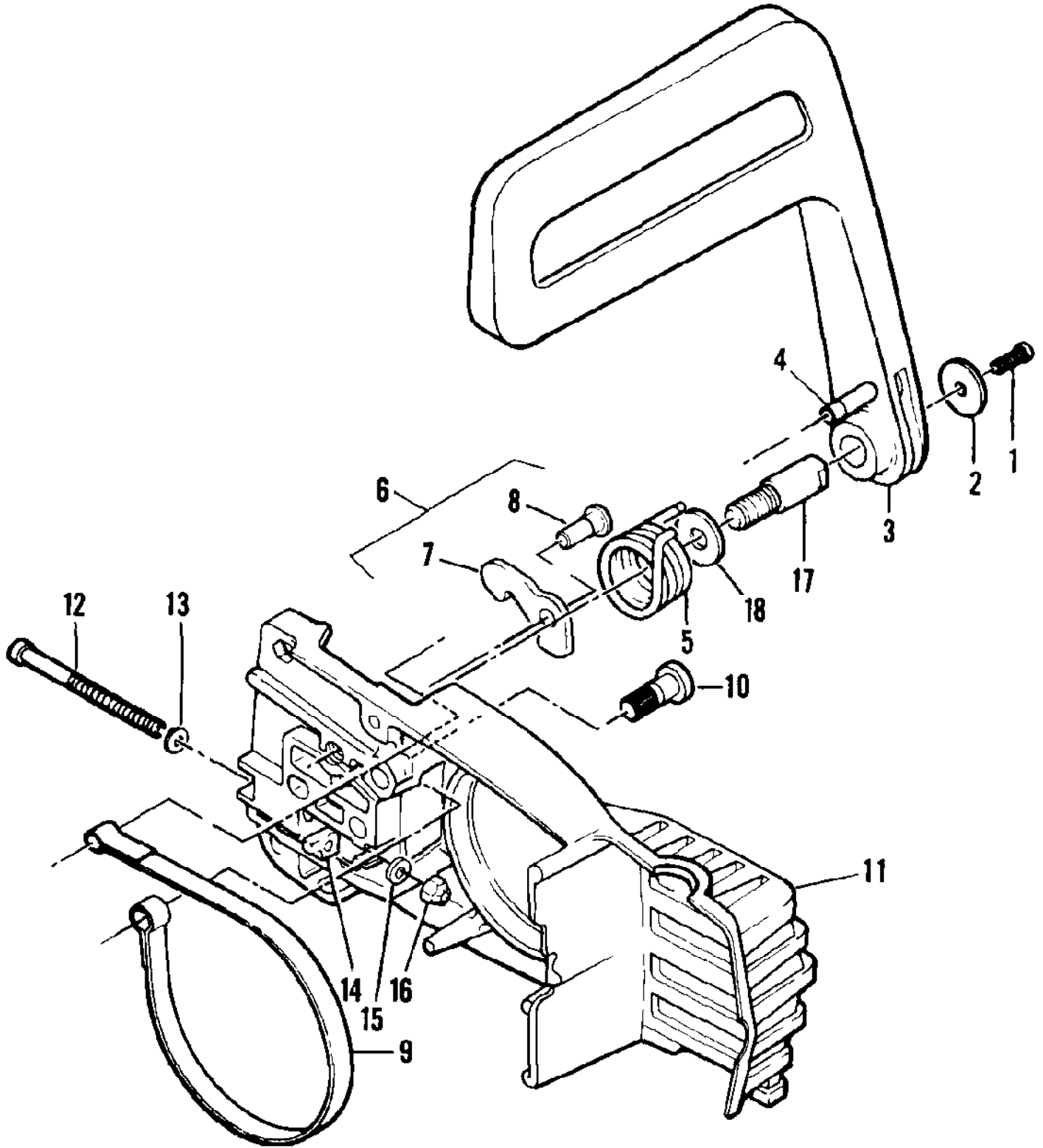


Ref #	Part Number	Qty	Description
	214763-02	1	Carburetor Asy (SDC 38A)
1	67501	4	Screw - Pump Cover
2	83760	1	Cover - Pump
3		1	Gasket - Cover
4		1	Diaphragm - Check Valve
5		1	Diaphragm - Fuel Pump
6	47690	3	Screw - Plate
7	83762	1	Plate - Throttle
8	67489	1	Clip - Shaft
9		1	Shaft Asy - Throttle
10	85981	1	Spring - Throttle Return
11		1	Plate - Choke
12		1	Shaft Asy - Choke
13		1	Ball - Choke Friction
14	67504	1	Spring - Choke Friction
15	85979	1	Needle - High Speed
16		1	Needle - Idle
17		2	Spring - Needle
18	70798	4	Screw - Diaphragm
19		1	Cover - Diaphragm
20		1	Diaphragm - Metering
21		1	Gasket - Diaphragm
22		1	Screw - Lever Pin
23		1	Pin - Lever
24		1	Lever - Inlet
25		1	Spring - Lever
26		1	Valve - Needle
27		1	Plug - 3/8
28		1	Plug - 5/16
29		1	Kit - Valve & Seal Asy
30		1	Screen - Fuel
31		1	Screw - Idle Adj.
32		1	Spring - Idle Screw
	217078		Minor Repair Kit
	67482		Gasket Set



Ref #	Part Number	Qty	Description
	214763	1	Carburetor Asy (Zama C-2)
		1	Carburetor Asy (Zama C-3) Not available separately.
1		4	Screw - Pump Cover Not available separately.
2		1	Cover - Fuel Pump Not available separately.
3		1	Diaphragm - Fuel Pump Not available separately.
4		1	Screen - Filter Not available separately.
5		2	Screw - Choke Plate Not available separately.
6		1	Plate - Choke Not available separately.
7		1	Shaft Asy - Choke Not available separately.
8		1	Spring - Choke Shaft Not available separately.
9		1	Ball - Friction Not available separately.
10		1	Plate - Throttle Not available separately.
11		1	Shaft Asy - Throttle Not available separately.
12		1	Spring - Throttle Return Not available separately.
13		1	Ring - "E" Not available separately.
14A		1	Needle - High Speed (For Zama C-3) Not available separately.
14B		1	Needle - High Speed (For Zama C-2) Not available separately.
15		1	Needle - Low Speed Not available separately.
16		2	Spring - Needle Not available separately.
17		4	Screw - Diaphragm Cover Not available separately.
18		1	Cover - Diaphragm Not available separately.
19		1	Diaphragm Asy - Metering Not available separately.
20		1	Gasket - Main Not available separately.
21		1	Screw - Lever Not available separately.
22		1	Lever - Inlet Not available separately.
23		1	Pin - Lever Not available separately.
24		1	Spring - Lever Not available separately.
25		1	Valve - Inlet Not available separately.
26		1	Jet - Main Not available separately.
27		1	Plug - Welch Not available separately.
	217082		Major Repair Kit
	216724		Gasket Kit
	217088		Needle Kit

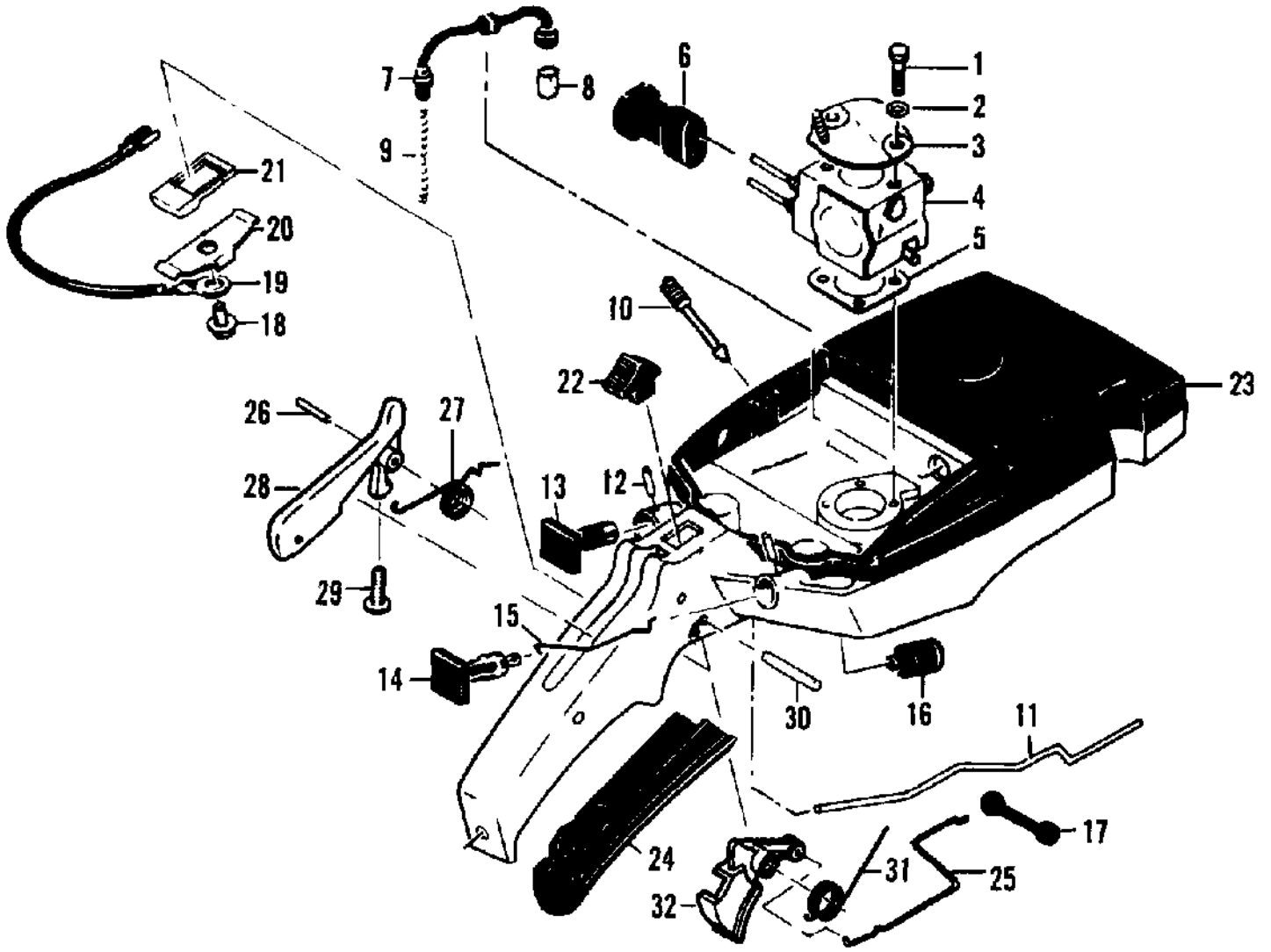




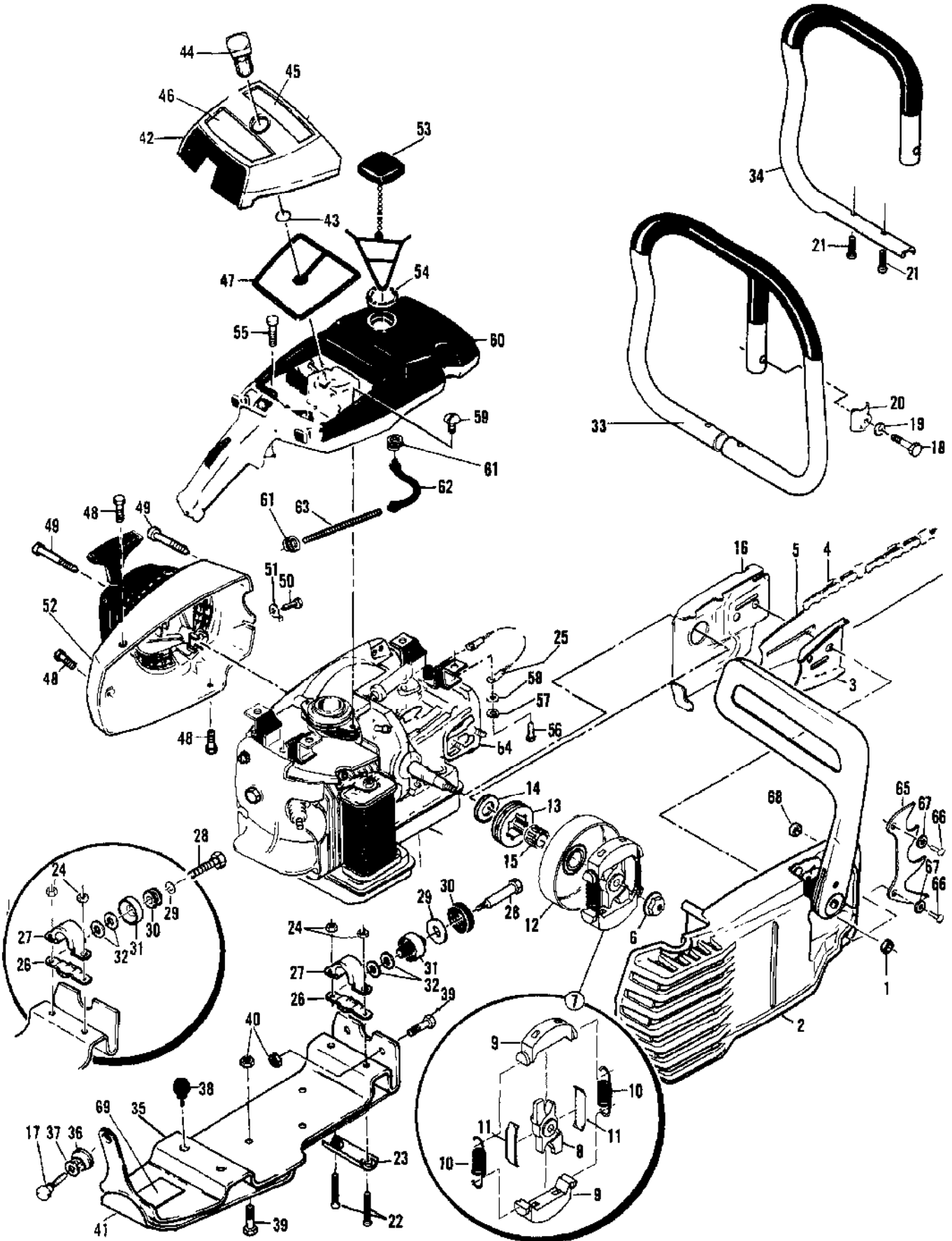
Ref #	Part Number	Qty	Description
	217695	1	BRAKE ASSEMBLY - CHAIN
1	216634	1	Screw - Pan Hd 10-24 x 1/2
2	216633	1	Washer - Special
3	215911	1	Lever Assembly
4	214366	1	Pin Asy - Roller
5	93085	1	Spring - Brake
6	222478	1	Kit - Latch/Pivot
7	217235	1	Latch
8	94144	1	Pivot - Latch
9	93081	1	Band - Brake
10	93082	1	Pin - Band Anchor
11	215699	1	Housing - Brake
12	216636	1	Screw - Bar Adjusting
13	216635	1	Washer - #10
14	61705	1	Nut - Hx 10-24
15	100002	1	Washer -#10
16	102067	1	Nut - Hx 10-24
17	91246	1	Pin - Lever Pivot
18	91245	1	Washer - Thrust

No  
Diagram  
Available  
  
Parts List  
Only

Ref #	Part Number	Qty	Description
	214707	1	Fan Housing/Starter Assembly
1	110646	3	Screw - Oval HD 8.32 x 1.12 (35 - 40 in. lb. torque)
2	91084	1	Cover - Starter
3	87670	1	Rope - Starter
4	110928	1	Screw - Hex HD 10-24 x .50 (55 - 60 in. lb. torque)
5	105841	1	Pin - Roll
6	87689	1	Drum - Starter
7	87680	1	Spring - Rewind
8	86053	1	Shield - Spring
9	95412	1	Shaft - Starter
10	214706	1	Kit - Fan Housing/Guard
11	214192	1	Guard - Sawdust
12	214699	1	Insert - Starter
13	93137	1	Handle - Starter



Ref #	Part Number	Qty	Description
1	103357	2	Screw - Hx Hd 10-24 x 2-2.25 (55 - 60 in. lb. torque)
2	110964	2	Washer
3	95414	1	Bracket - Air Cleaner
4		1	Carburetor Asy See "Carburetor Assembly (SDC 38A)" illustration and parts list; See "Carburetor Assembly (Zama C-2 & Zama C-3)" illustration and parts list.
5	86189	1	Gasket - Carburetor
6	214762	1	Boot - Carburetor Needles
	214762-01	1	Boot - Carburetor Needles
7	215708	1	Hose Assembly - Fuel
8	215714	1	Pickup Asy - Fuel
9	67944	1	Spring - Fuel Hose
10	86273	1	Screw - Idle Adjustment
11	92903	1	Rod - Oiler
12	105673	2	Pin - Roll 3/32 x 9/16
13	95480	1	Button - Oiler
14	95614	1	Button - Choke
15	69631	1	Rod - Choke
16	69597	2	Boot - Control Rod
17	69043	1	Snubber - Rod
18	110706	1	Screw - Fil Hd 8-18 x .50
19	83661	1	Wire Asy - Stop Switch
20	62451	1	Contact - Switch
21	214691	1	Base - Switch
22	68846	1	Button - Switch
23	215612	1	Tank Asy - Fuel
24	89320	1	Insert - Handle Grip
25	92155	1	Rod - Throttle
26	105654	1	Pin - Roll 1/8 x 7/8
27	92154	1	Spring - Trigger Release
28	94275	1	Release Asy - Trigger
29	111012	1	Screw - Pan Hd 4-40 x .313
30	110378	1	Pin - Roll 3/16 x 15/16
31	92152	1	Spring - Trigger
32	214679	1	Trigger - Throttle

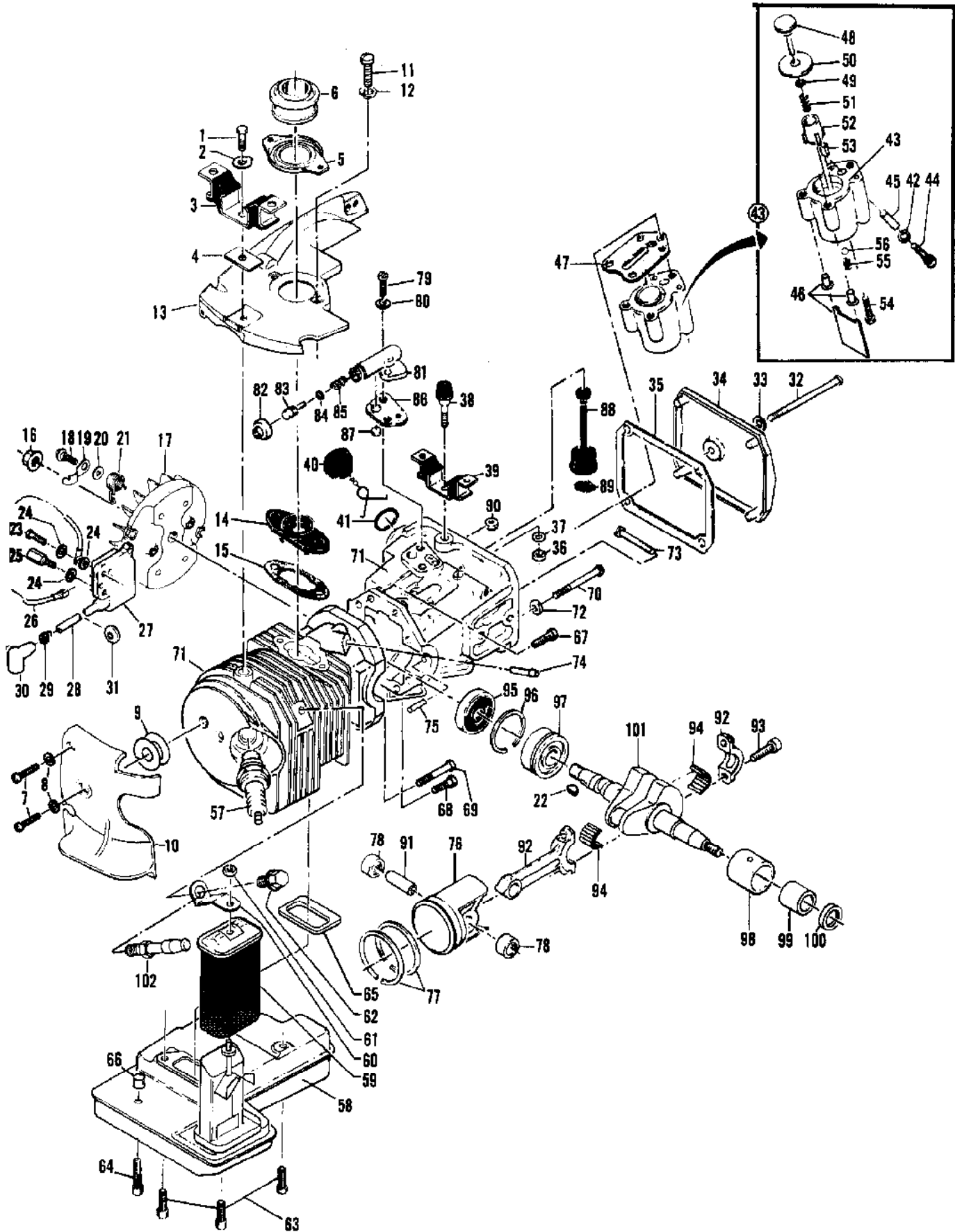


## General Assembly

Ref #	Part Number	Qty	Description
1	216645	2	Nut - M8 Hx Flange
2		1	CHAIN BRAKE Asy See "Chain Brake Assembly" illustration and parts list.
3	64325	1	Plate - Bar Protector
4		1	Chain Assembly See "Bar/Chain/Chain Sharpening Tools" parts list.
5		1	Bar Assembly See "Bar/Chain/Chain Sharpening Tools" parts list.
6	86113	1	Nut - Hx 3/8-24 (L.H.) (200 - 210 in. lb. torque)
7	214301	1	Clutch Assembly
8	214300	1	Rotor Clutch
9	67233	1	Kit - Clutch Shoe
10	83223	2	Spring - Clutch
11	64583	2	Retainer - Clutch Spring
12	95166	1	Kit - Drum & Sprocket (7 T .375P)
13	86344	1	Sprocket - 7T .375 Pitch
14	86958	1	Washer - Sprocket
15	110971	1	Bearing - Needle
16	84978-01	1	Shield - Sawdust
17	93037	1	Screw - Frame Brace (55 - 60 in.lb.torque)
18	103353	1	Screw - Hx Hd 1/4-20 x 1.50 (90 - 100 in. lb. torque)
19	100153	1	Lockwasher - 1/4
20	216639	1	Clamp - Frame
21	104396	2	Screw - Pn Hd 10-24 x 3/4 (55 - 60 in. lb. torque)
22	103353	2	Screw - Hx Hd 10-24 x 1.50 (55 - 60 in. lb. torque)
23	95679	1	Clamp - Frame
24	216682	2	Nut - Hx Lock 10-24 (55 - 60 in. lb. torque)
25	83828-01	1	Wire Asy - Ground
26	92701	1	Clamp - Bottom
27	92700	1	Clamp - Top
	93932	1	Clamp - Top
28	93096	1	Screw - Shoulder (90 - 100 in. lb. torque)
	216648	1	Screw - Hx Hd 1/4-20 x 2 (90 - 100 in. lb. torque)
29	216647	2	Washer - Plain
30	92703	1	Hub - Mount
	84661	1	Grommet
31	92704	1	Mount
	85898	1	Mount
32	95636	2	Washer - 1/4
33	95514	1	Frame & Grip Asy
34	214103	1	Frame & Grip Asy
35	216090	1	Brace - Frame
36	93032	1	Grommet - Frame Brace
37	214164	1	Washer
38	89403	2	Bumper - Lower
39	216634	5	Screw - Pn Hd 10-24 x .50 (55 - 60 in.lb. torque)
40	216682	5	Nut - Hx Lock 10-24 (55 - 60 in.lb. torque)
41	216103	1	Shield - Frame Brace
42	95418	1	Cover Asy - Air Cleaner
43	110565	1	Ring - Retaining
44	95420	1	Knob - Cover
45		1	Plate - Name Not available separately.
46	95486	1	Instruction Plate
47	215681	1	Filter - Air



Ref #	Part Number	Qty	Description
48	110741	3	Screw - Pan Hd 10-24 x .50 (40 - 45 in. lb. torque)
49	87871	3	Screw - Special (35 - 40 in. lb. torque)
50	102762	1	Screw - Hx Hd 10-24 x .50 (40 - 45 in. lb. torque)
51	69890	1	Lockplate Hsg
52		1	Fan Hsg/Starter Assemblies See "Fan Housing & Starter Assembly" illustration and parts list.
53	216053	1	Cap Asy - Fuel W/Retainer
54	69767	1	Gasket
55	110746	2	Screw - Hx Hd 10-24 x .50 (55 - 60 in. lb. torque)
56	216644	2	Screw - Hx Hd 1/4-20 x 5/8 (110 - 120 in. lb. torque)
57	100153	2	Lockwasher - 1/4
58	216646	2	Washer - 1/4
59	110807	2	Screw - Pn Hd 8-32 x .312 (15 - 20 in. lb. torque)
60		1	Fuel Tank Asy See "Fuel Tank Assembly" illustration and parts list.
61	87826	2	Clamp - Hose
62	69598	1	Line - Pulse
63	67944	1	Spring - Hose
64		1	Powerhead See "Powerhead Assembly" illustration and parts list.
65	93668	1	Spike
66	102388	2	Screw - Hx Hd 10-24 x .625 (55 - 60 in. lb. torque)
67	216683	2	Washer - Special 10
68	216682	2	Nut - Hx Lock 10-24 (55 - 60 in. lb. torque)
69	219058	1	Label - Safety Part numbers listed in this I.P.L. which were not in the previous I.P.L. covering these saws.



## Powerhead Assembly

Ref #	Part Number	Qty	Description
1	83811	1	Screw - Special (90 - 100 in. lb. torque)
2	69924	1	Plate - Lock
3	216877	1	Mount - Rear
3	93925	1	Mount - Rear
4	84619	1	Insulator - Rear Mount
5	213381	1	Clamp Assembly - Boot
6	215247	1	Boot - Port
7	216634	2	Screw - Pn Hd 10-24 x .50 (55 - 60 in. lb. torque)
8	100002	2	Washer - #10
9	93460	1	Washer - Insulator
10	216136	1	Shroud - Rear
11	104396	2	Screw - Pn Hd 10-24 x .75 (55 - 60 in. lb. torque)
12	101194	2	Washer - Lock #10
13	95477	1	Shroud - Upper
14	87844	1	Insulator - Inlet
15	88740	1	Gasket - Insulator
16	110703	1	Nut - Hx 3/8-24 (265 - 325 in. lb. torque)
17	95481	1	Flywheel Assembly
18	93464	2	Screw - Pawl
19	93198	2	Pawl - Starter
20	93469	2	Washer - Pawl
21	214102	2	Spring - Pawl
22	100106	1	Key - Woodruff
23	110127	1	Screw - Hx Hd 10-24 x .88 (55 - 60 in. lb. torque)
24	100002	3	Washer - #10
25	95603	1	Stud - Special (55 - 60 in. lb. torque)
26	85798	1	Wire Asy - Ground
27	95553	1	Ignition Asy - Electronic (.011-.015 Lamination Air Gap)
28	95269	1	Wire Asy - Spark Plug
29	102556	1	Connector
30	95266	1	Boot
31	110995	1	Grommet
32	110291	1	Screw - Pn Hd 10-24 x 2.62 (35 - 40 in. lb. torque)
33	110921	1	Washer - Sealing
34	218707	1	Cover - Oil Tank
35	86306	1	Gasket - Cover
36	101143	1	Nut - Hx 1/4-20 (90 - 100 in. lb. torque)
37	102523	1	Washer - 1/4
38	69832	1	Bumper - Front
39	216878	1	Mount - Front
39	93926	1	Mount - Front
40	216052	1	Cap - Oil Tank
41	101148	1	Ring - "O"
42	100003	1	Washer - #10
43	215339	1	Pump Assembly - Oiler
44	110890	1	Screw - Fil 10-24 x .88 (25 - 30 in. lb. torque)
45	91774	1	Sleeve
46	215246	1	Kit - Oil Pump Clip
47	92818	1	Seal - Pulse Pump
48	214278	1	Piston Assembly - Oiler
49	105603	1	Ring - "O"
50	86182	1	Ring - Piston
51	60259	1	Spring - Piston
52	62227	1	Sleeve - Adjustment

## Powerhead Assembly

Ref #	Part Number	Qty	Description
53	91259	1	Pad - Oil Pump
54	110386	1	Screw - Hx Hd 8-32 x 1
55		1	Spring - Outlet Valve
56		1	Ball - Outlet Valve
57	63432	1	Plug - Spark CS42T AC (120 in. lb. torque/.025 Gap)
	93017	1	Plug - Spark RDJ6 (120 in. lb. torque/.025 Gap)
58	216160	1	Muffler Asy
59	214283	1	Screen/Cap Asy - S/Arrestor
60	216087	1	Strap - Muffler
61	216682	1	Nut - Hex Lock 10-24 (40 - 45 in. lb. torque)
62	214100	1	Screw - Muffler Strap (110 - 120 in. lb. torque)
63	104895	3	Screw - Skt Hd 10-24 x .62 (65 - 75 in. lb. torque)
64	110713	1	Screw - Skt Hd 10-24 x .88 (65 - 75 in. lb. torque)
65	95387	1	Gasket - Muffler
66	216047	1	Spacer
67	110288	2	Screw - Hx Hd 8-32 x 3/4 (35 - 40 in. lb. torque)
68	110963	1	Screw - Hx Hd 8-32 x 1 (35 - 40 in. lb. torque)
69	110644	1	Screw - Hx Hd 8-32 x 1.5 (35-40 in. lb. torque)
70	62106	4	Screw - 12-24 x 1.75 (70 - 75 in. lb. torque)
71	215713	1	Cylinder/C'Case/Piston Asy "B"
72	111025	4	Washer - Sealing
73	92459	2	Bolt - Bar
74	69600	1	Nipple - Pulse Line
75	110851	1	Pin - Dowel
76	92518	1	Piston Assembly "A"
	92519	1	Piston Assembly "B"
	92520	1	Piston Assembly "C"
77	87854	1	Ring Set - Piston
78	111021	2	Bearing - Needle
79	110338	2	Screw - Pn Hd 8-32 x .532 (15 - 20 in. lb. torque)
80	110613	2	Washer - #8
81	84156	1	Housing - Pump
82	215151	1	Cap - Housing
83	92902	1	Plunger - Pump
84	105614	1	Ring - "O"
85	66687	1	Spring - Pump
86	91669	1	Gasket - Pump
87	91668	1	Valve - Pump
88	91672	1	Hose - Oil
89	51506	1	Screen - Hose
90	100955	1	Nut - Hex 8-32 (15-20 in. lb. torque)
91	69020	1	Pin - Piston
92	215245	1	Rod Asy - Connecting
93	61627-01	2	Screw - Special (65 - 70 in. lb. torque)
94	215150	1	Roller (set of 22)
95	61618	1	Seal - Oil
96	63464	1	Ring - Snap
97	63429-02	1	Bearing - Ball
98	87151	1	Insert/Bearing Assy
99	104357	1	Bearing - Needle
100	110260	1	Seal - Oil
101	95386	1	Crankshaft
102	215673	1	Valve - Compression Release (110 - 120 in. lbs. torque)